



US00D750502S

(12) **United States Design Patent**  
**Kirchmayr et al.**

(10) **Patent No.:** **US D750,502 S**

(45) **Date of Patent:** **\*\* \*Mar. 1, 2016**

(54) **PACKAGE FOR A MEDICINAL PRODUCT**

1/03; A61J 7/0084; A61J 7/0436; A61J 1/00;  
A61J 7/0076; A61J 2205/40

(71) Applicant: **Takeda Nycomed AS**, Asker (NO)

See application file for complete search history.

(72) Inventors: **Siegfried Kirchmayr**, Luftenberg (AT);  
**Meinolf Vogt**, St. Gotthard (AT)

(56) **References Cited**

(73) Assignee: **TAKEDA NYCOMED AS** (NO)

U.S. PATENT DOCUMENTS

(\*) Notice: This patent is subject to a terminal disclaimer.

D121,438	S	*	7/1940	Karsh	.....	D7/544
D268,167	S	*	3/1983	Fox	.....	D9/415
4,722,733	A	*	2/1988	Howson	.....	604/411
D330,855	S	*	11/1992	Demopoulos	.....	D9/415
D378,570	S	*	3/1997	MacEachern	.....	D9/415
D408,279	S	*	4/1999	Fracassi et al.	.....	D9/415
D427,523	S	*	7/2000	Calcerano	.....	D9/415

(\*\*) Term: **14 Years**

(Continued)

(21) Appl. No.: **29/455,640**

*Primary Examiner* — Derrick Holland

(22) Filed: **May 22, 2013**

*Assistant Examiner* — Lauren Calve

(30) **Foreign Application Priority Data**

(74) *Attorney, Agent, or Firm* — Robert D. Becker; Manatt Phelps & Phillips LLP

Nov. 23, 2012 (EM) ..... 002141861-0001

(51) **LOC (10) Cl.** ..... **09-01**

(57) **CLAIM**

(52) **U.S. Cl.**

The ornamental design for a package for a medicinal product, as shown and described.

USPC ..... **D9/732**

**DESCRIPTION**

(58) **Field of Classification Search**

USPC ..... D9/415, 416, 418, 419, 424, 433, 437,  
D9/457, 732, 730, 756, 759, 902; 206/461,  
206/462, 469, 471, 484, 485, 486, 493, 528,  
206/531, 532, 534, 533, 538, 539,  
206/775-783; D24/121, 227, 229, 224;  
D7/538, 541, 546, 549, 553.3, 555,  
D7/586; D3/203.2, 203.3, 310, 309, 311,  
D3/312, 313

CPC .. B65D 75/327; B65D 83/0463; B65D 75/36;  
B65D 75/30; B65D 2585/56; B65D 75/32;  
B65D 75/367; B65D 2575/3227; B65D  
83/0445; B65D 75/5855; B65D 2575/3245;  
B65D 2575/367; B65D 85/42; B65D 75/26;  
B65D 83/04; B65D 2571/0066; B65D  
73/0042; B65D 75/22; B65D 2575/366;  
B65D 25/10; B65D 5/5038; B65D 75/323;  
B65D 2543/00296; B65D 77/02; B65D  
73/0035; B65D 77/003; A61J 1/035; A61J

FIG. 1 is a bottom perspective view of a package for a medicinal product showing the new design without a cover for ease of illustration.

FIG. 2 is a top perspective view thereof shown with a top cover in a slightly opened position.

FIG. 3 is a bottom plan view thereof.

FIG. 4 is a top plan view thereof without a cover for ease of illustration.

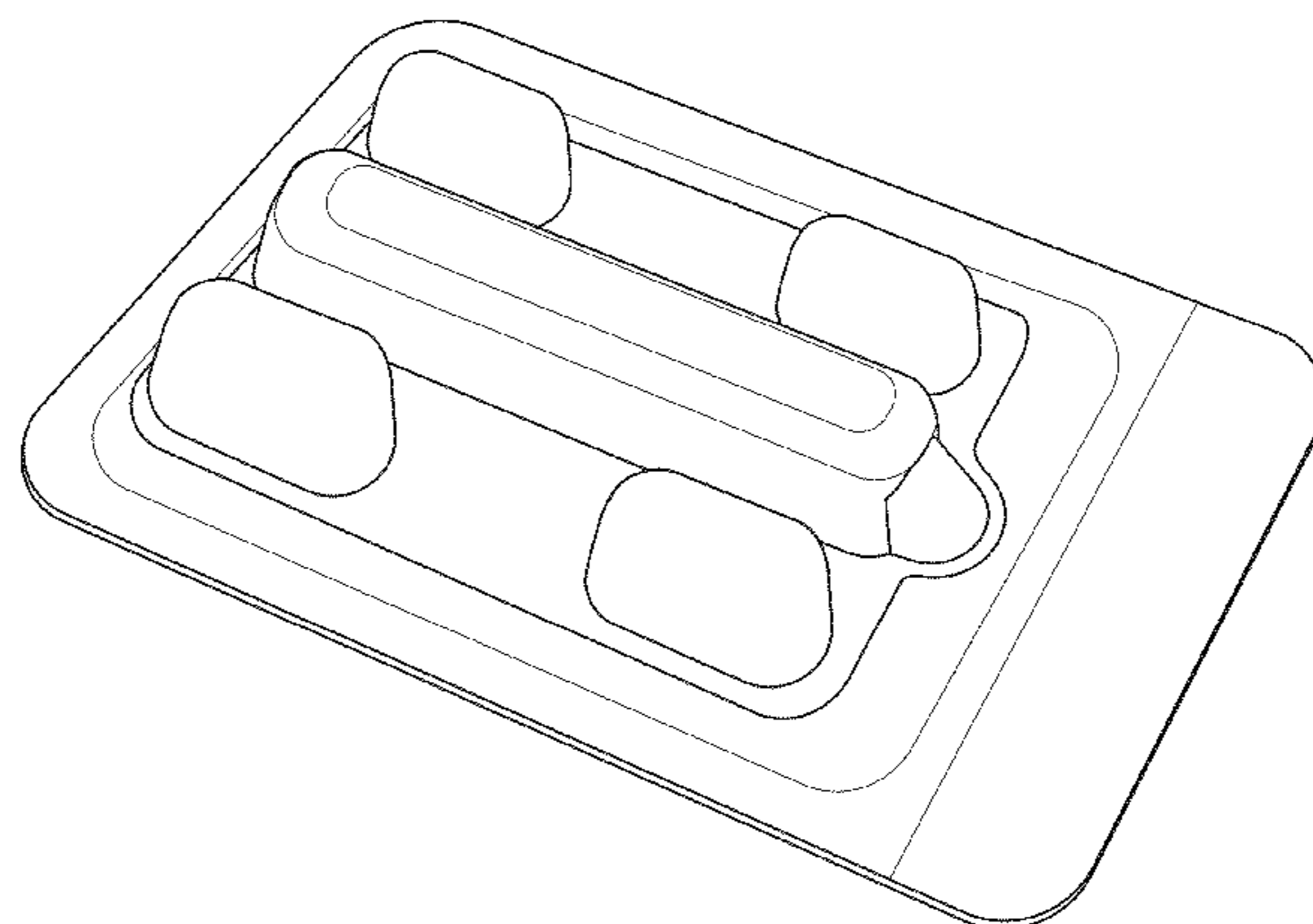
FIG. 5 is a front elevation view thereof without a cover for ease of illustration.

FIG. 6 is a rear elevation view thereof without a cover for ease of illustration; and,

FIG. 7 is a side view thereof without a cover for ease of illustration.

The broken lines shown in FIG. 2 represent unclaimed subject matter and form no part of the claimed design.

**1 Claim, 5 Drawing Sheets**



# US D750,502 S

Page 2

---

(56)

## References Cited

### U.S. PATENT DOCUMENTS

D556,601 S *	12/2007	Ferguson et al. ....	D9/732
D584,606 S *	1/2009	Wintolders et al. ....	D9/415
D655,626 S *	3/2012	Mehren et al. ....	D9/732
D548,110 S *	8/2007	Pugh .....	D9/732

\* cited by examiner

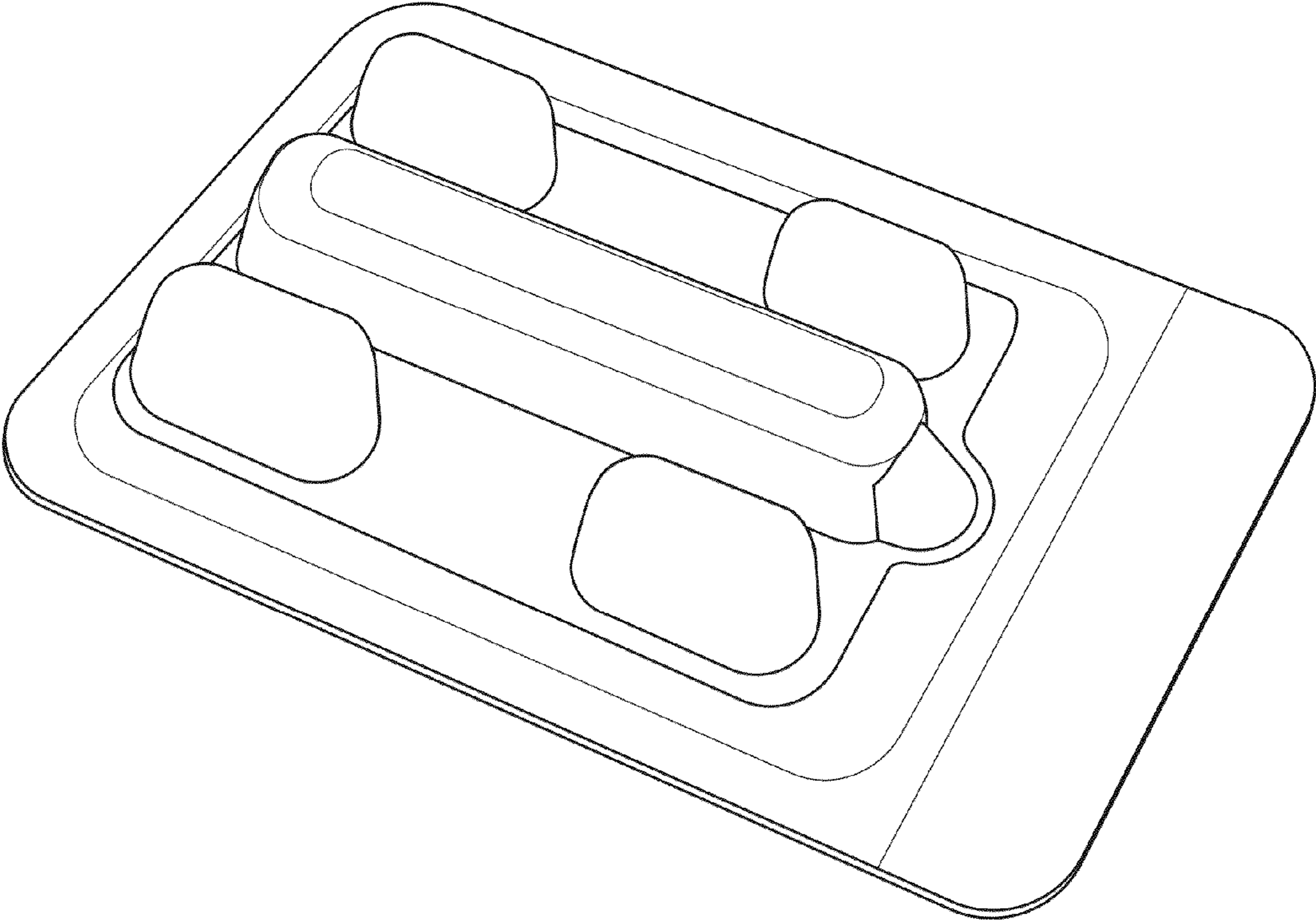


Fig. 1



Fig. 2

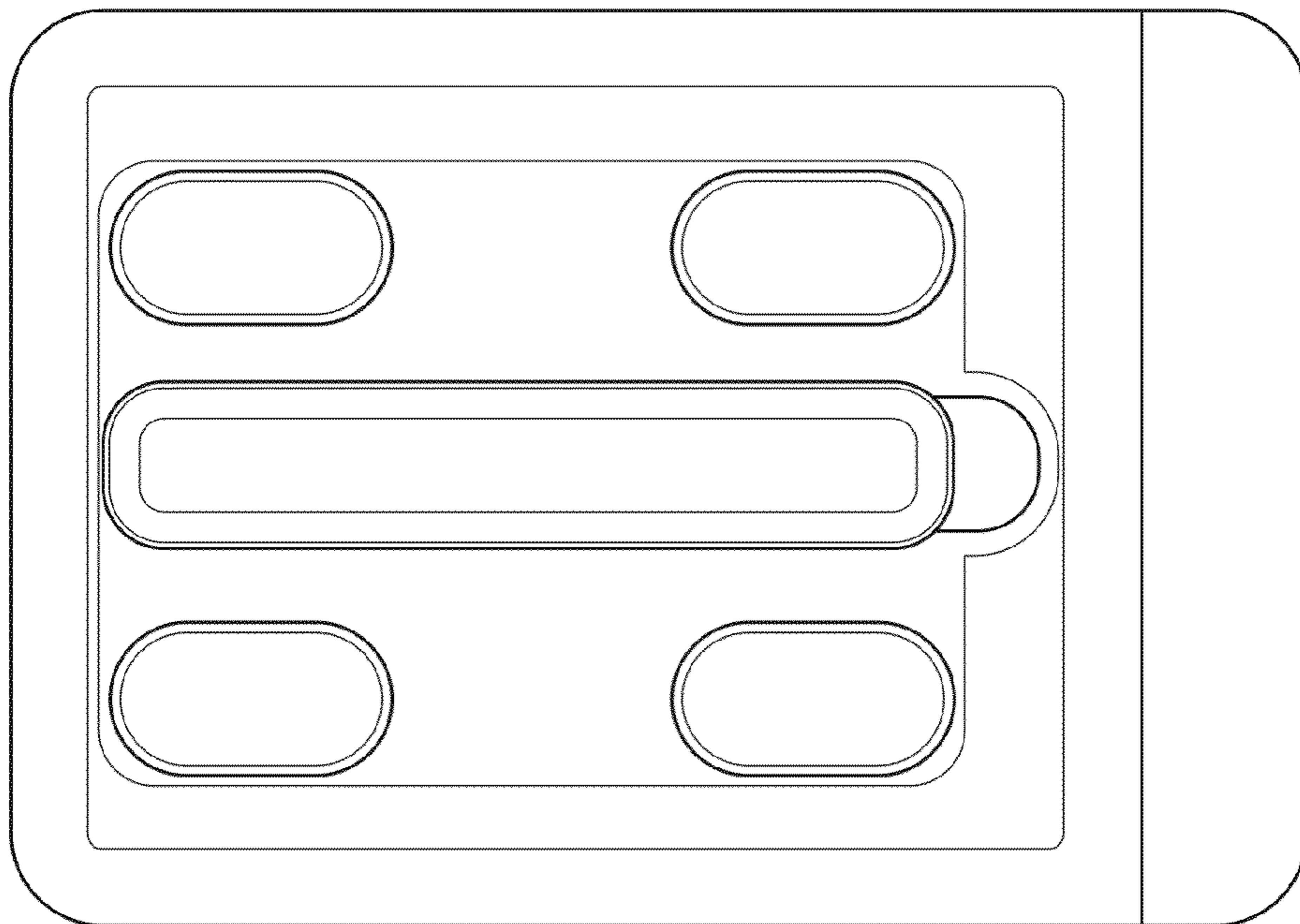


Fig. 3

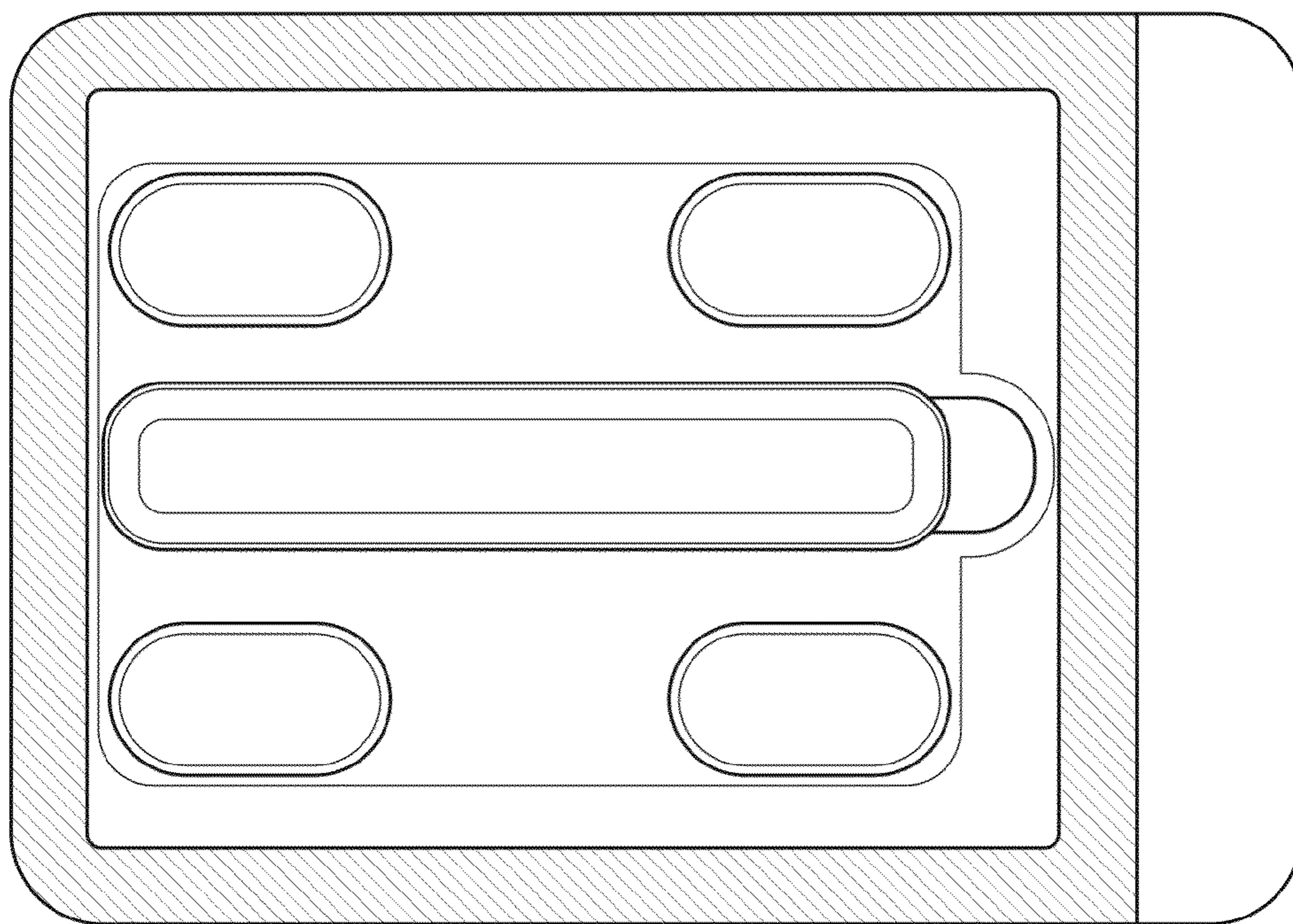


Fig. 4

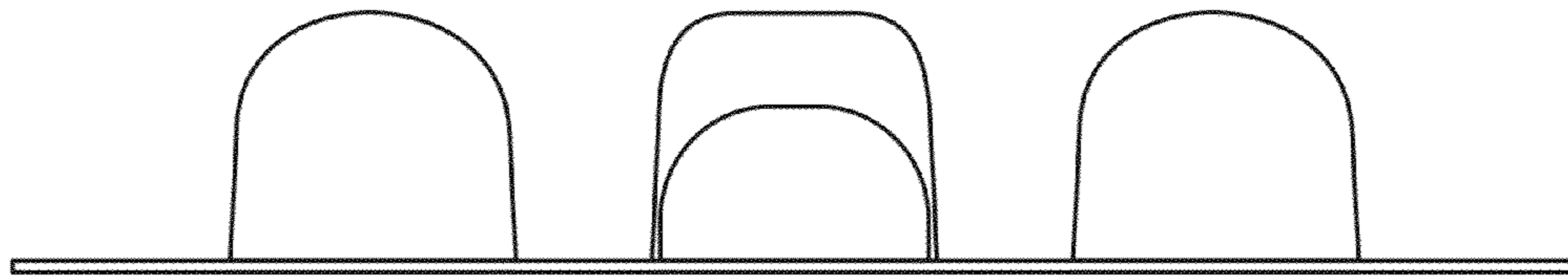


Fig. 5

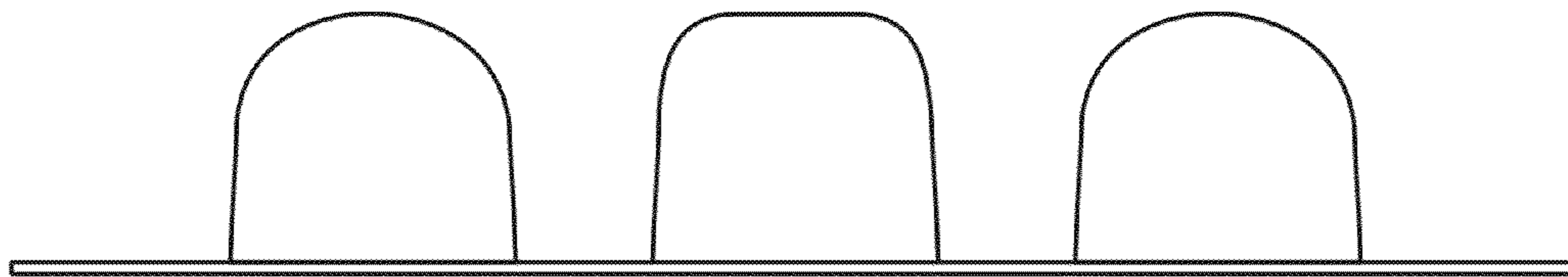


Fig. 6

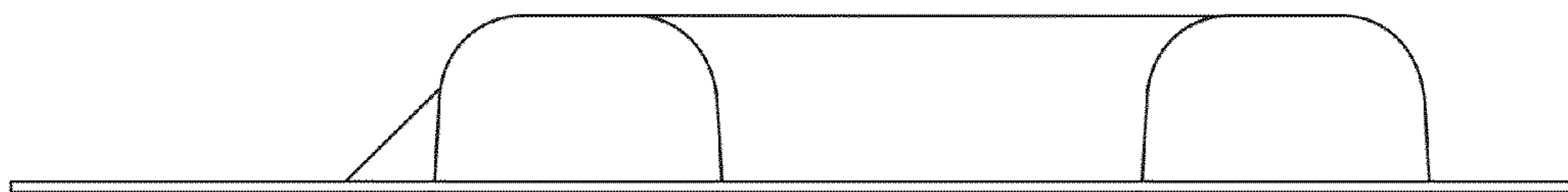


Fig. 7