



US00D750501S

(12) **United States Design Patent**  
**Akana et al.**

(10) **Patent No.:** **US D750,501 S**  
(45) **Date of Patent:** **\*\* Mar. 1, 2016**

- (54) **PACKAGING WITH ACCESSORY**
- (71) Applicant: **Apple Inc.**, Cupertino, CA (US)
- (72) Inventors: **Jody Akana**, San Francisco, CA (US);  
**Bartley K. Andre**, Palo Alto, CA (US);  
**Shota Aoyagi**, San Francisco, CA (US);  
**Jeremy Bataillou**, San Francisco, CA (US);  
**Daniel J. Coster**, San Francisco, CA (US);  
**Daniele De Iuliis**, San Francisco, CA (US);  
**M. Evans Hankey**, San Francisco, CA (US);  
**Julian Hoenig**, San Francisco, CA (US);  
**Richard P. Howarth**, San Francisco, CA (US);  
**Jonathan P. Ive**, San Francisco, CA (US);  
**Duncan Robert Kerr**, San Francisco, CA (US);  
**Matthew Dean Rohrbach**, San Francisco, CA (US);  
**Peter Russell-Clarke**, San Francisco, CA (US);  
**Mikael Silvanto**, San Francisco, CA (US);  
**Christopher J. Stringer**, Woodside, CA (US);  
**Eugene Antony Whang**, San Francisco, CA (US);  
**Rico Zörkendörfer**, San Francisco, CA (US)

D9/702, 711, 715, 718, 721, 722, 737, 750,  
D9/759, 760; 206/338, 348, 443, 464,  
206/484-489, 525, 525.1, 526, 775-779,  
206/781; 229/117.12, 117.18, 117.23,  
229/120.07, 120.08, 121, 162.6, 162.7;  
D3/218; D13/153  
CPC .. B65D 5/4204; B65D 5/4208; B65D 5/5021;  
B65D 75/26; B65D 75/38; B65D 73/0042;  
B65D 77/02; B65D 25/54; B65D 2543/00296;  
B65D 75/522; B65D 5/5088; B65D 81/3453;  
B65D 5/48048; Y10S 206/82; Y10S 206/806;  
Y10S 206/823

See application file for complete search history.

(56) **References Cited**

U.S. PATENT DOCUMENTS

1,509,781 A	9/1924 Roth
D114,891 S	5/1939 Fogel

(Continued)

*Primary Examiner* — Derrick Holland

*Assistant Examiner* — Lauren Calve

(74) *Attorney, Agent, or Firm* — Sterne, Kessler, Goldstein & Fox P.L.L.C.

(57) **CLAIM**

The ornamental design for packaging with accessory, as shown and described.

**DESCRIPTION**

FIG. 1 is a front perspective view of packaging with accessory showing our new design;  
FIG. 2 is a front view thereof;  
FIG. 3 is a rear view thereof;  
FIG. 4 is a left side view thereof;  
FIG. 5 is a right side view thereof;  
FIG. 6 is a top view thereof; and,  
FIG. 7 is a bottom view thereof.

The Figures are illustrated to show contrast. One accessory in the packaging is one appearance and the other accessory in the packaging is a different appearance.

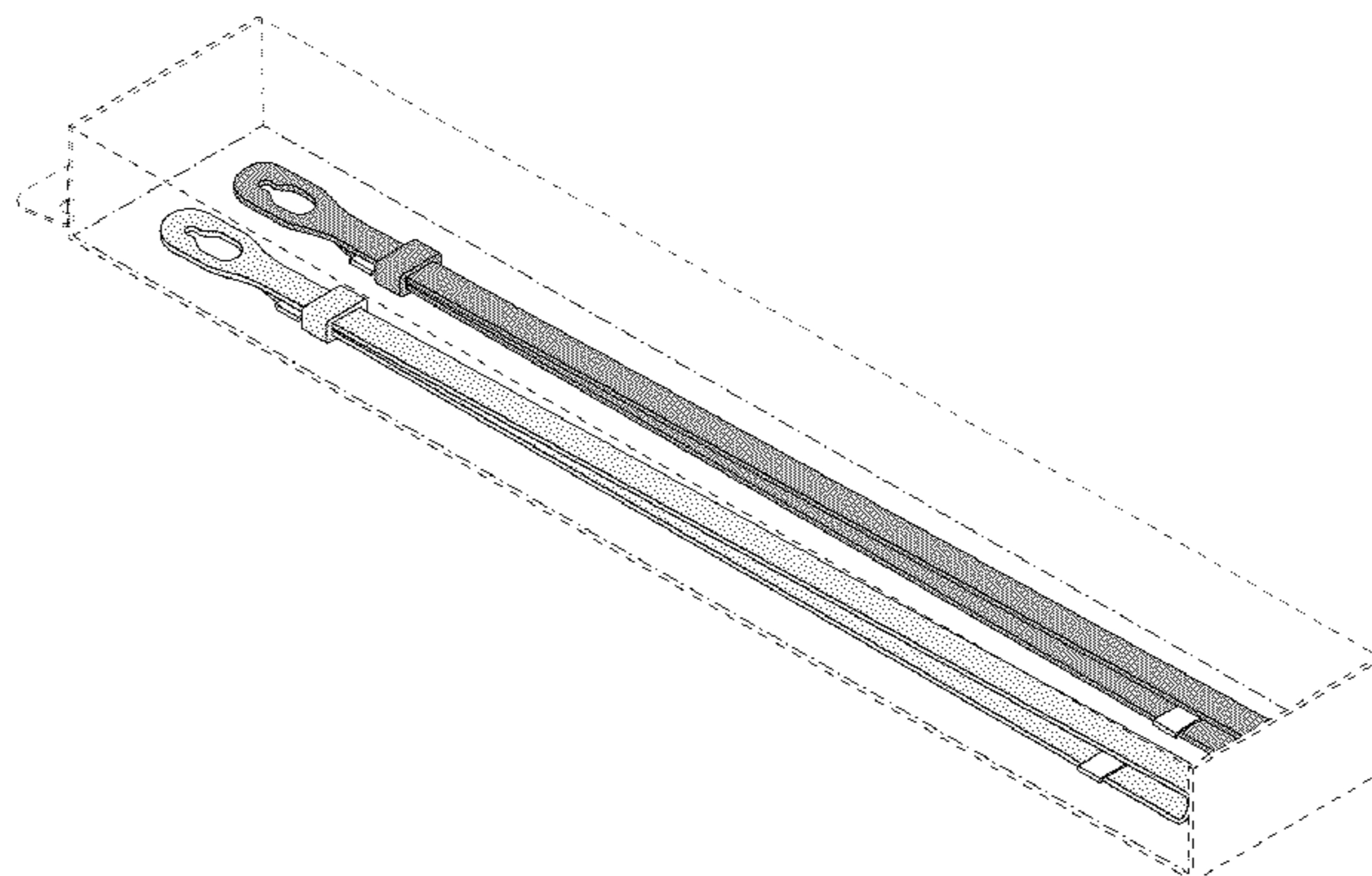
The broken lines in the Figures show portions of the packaging with accessory which form no part of the claimed design.

**1 Claim, 3 Drawing Sheets**

- (73) Assignee: **Apple Inc.**, Cupertino, CA (US)
- (\*\*) Term: **14 Years**
- (21) Appl. No.: **29/499,673**
- (22) Filed: **Aug. 18, 2014**

**Related U.S. Application Data**

- (63) Continuation of application No. 29/476,534, filed on Dec. 13, 2013, now Pat. No. Des. 714,659, which is a continuation of application No. 29/431,874, filed on Sep. 11, 2012, now Pat. No. Des. 695,632.
- (51) **LOC (10) Cl.** ..... **09-01**
- (52) **U.S. Cl.**  
USPC ..... **D9/722**
- (58) **Field of Classification Search**  
USPC ..... D9/415, 416, 418, 419, 423, 432, 433,



(56)

References Cited

U.S. PATENT DOCUMENTS

2,316,384 A 4/1943 Abramson  
 2,450,089 A 9/1948 Hergesell et al.  
 2,964,348 A 12/1960 Ingham  
 3,010,569 A 11/1961 Goldman  
 3,220,543 A 11/1965 McCord et al.  
 D209,953 S 1/1968 Stehl  
 D216,251 S 12/1969 Offray  
 3,771,275 A 11/1973 Seckerson  
 3,890,204 A 6/1975 Avery  
 4,614,322 A 9/1986 Goetz  
 D289,698 S 5/1987 Bates  
 5,027,477 A 7/1991 Seron  
 5,046,222 A 9/1991 Byers et al.  
 D338,037 S 8/1993 Miller et al.  
 D368,028 S 3/1996 Baker  
 D368,588 S 4/1996 Goraleski et al.  
 5,823,364 A 10/1998 Mucciacciaro  
 6,070,723 A 6/2000 Lewis  
 D429,637 S 8/2000 Kumakura et al.  
 6,171,039 B1 1/2001 Seurujarvi  
 6,321,965 B1 11/2001 Lavi et al.  
 7,013,675 B2 3/2006 Marquez-Pickering  
 7,124,470 B2 10/2006 Alanis  
 7,188,814 B2 3/2007 Davis

D541,190 S 4/2007 Plzak  
 D550,556 S 9/2007 Berner  
 D554,495 S 11/2007 Hanji  
 D557,008 S 12/2007 Stiller  
 D562,807 S 2/2008 Andre et al.  
 D584,142 S 1/2009 Andre et al.  
 D609,560 S 2/2010 Mchatet  
 D638,330 S 5/2011 Fahrendorff et al.  
 D644,097 S 8/2011 McDonald et al.  
 8,295,533 B1 10/2012 Schachtman  
 8,328,011 B2 12/2012 Skurdalsvold et al.  
 D680,895 S 4/2013 Akana et al.  
 D684,542 S \* 6/2013 Ledesma ..... D13/153  
 D685,260 S 7/2013 Thielemier  
 D692,750 S 11/2013 Ehde et al.  
 D694,478 S 11/2013 Ali  
 D695,632 S 12/2013 Akana et al.  
 D699,406 S 2/2014 Stolte  
 D700,048 S 2/2014 Bloch et al.  
 D714,659 S \* 10/2014 Akana ..... D9/722  
 D723,264 S \* 3/2015 Akana ..... D11/3  
 9,066,616 B2 \* 6/2015 Yap ..... A45C 13/1092  
 2003/0160074 A1 8/2003 Pineda  
 2006/0113345 A1 6/2006 Zoullas et al.  
 2007/0084020 A1 4/2007 Chiu et al.  
 2012/0273541 A1 11/2012 Zwach  
 2014/0076945 A1 3/2014 Weber

\* cited by examiner

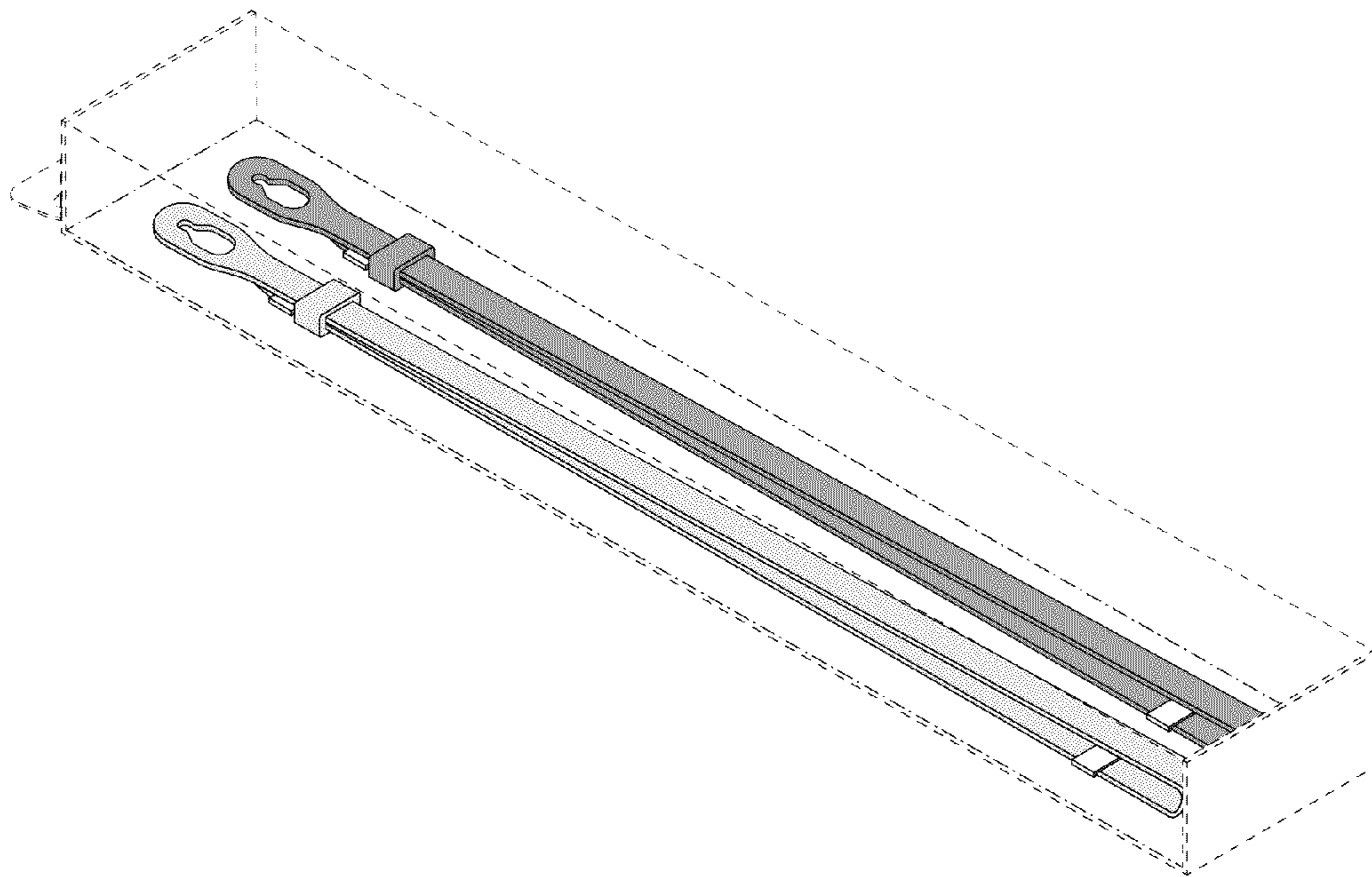


FIG. 1

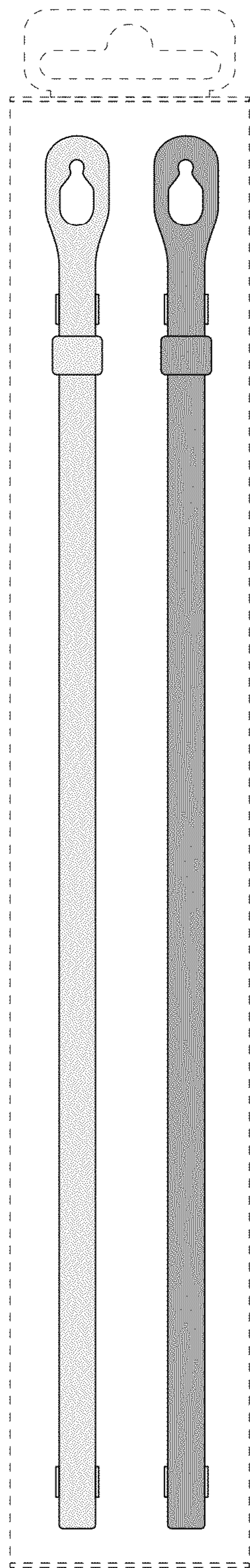


FIG. 2

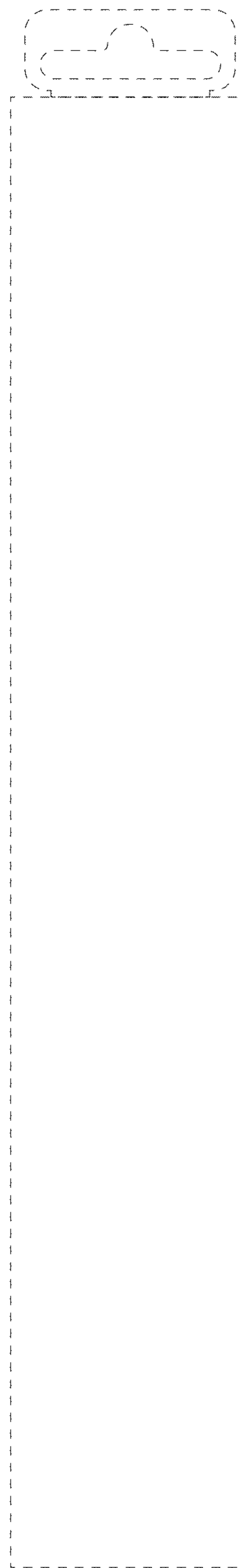
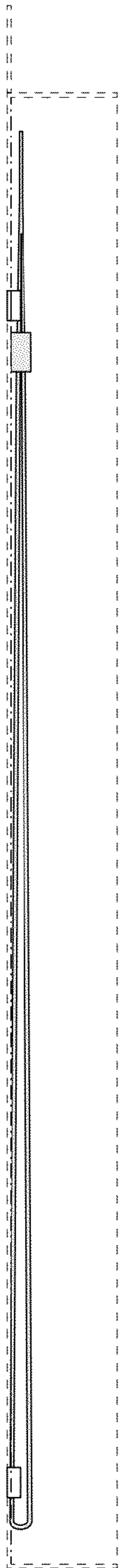
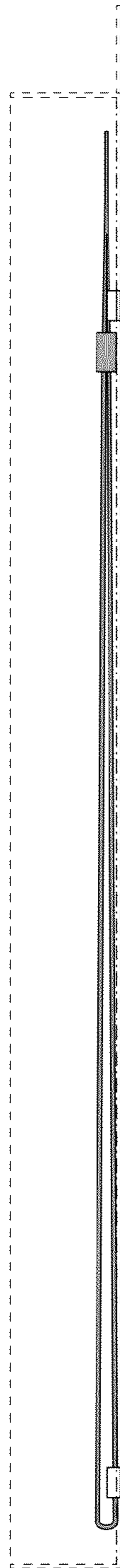


FIG. 3



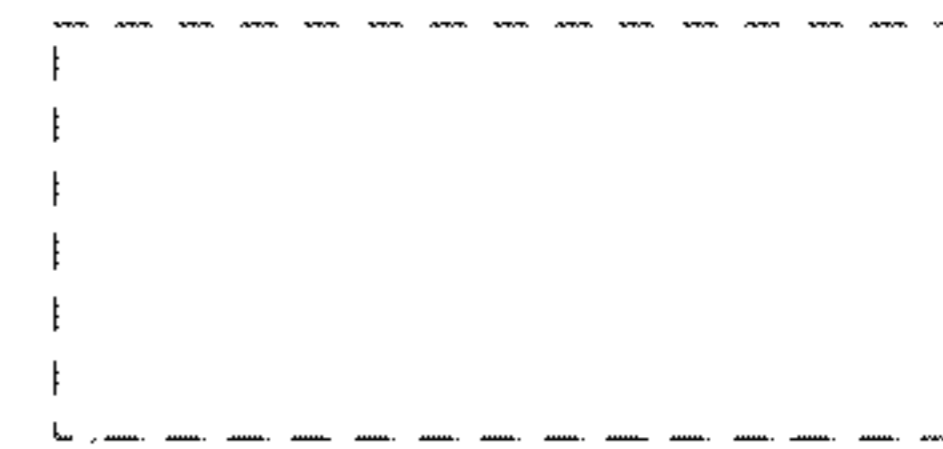
**FIG. 4**



**FIG. 5**



**FIG. 6**



**FIG. 7**