



US00D750498S

(12) **United States Design Patent**
Sezanayev

(10) **Patent No.:** **US D750,498 S**
(45) **Date of Patent:** **** Mar. 1, 2016**

(54) **GOLD BAR-SHAPED CONTAINER FOR ALCOHOLIC AND NON-ALCOHOLIC BEVERAGES**

(71) Applicant: **Gabriel Sezanayev**, Flushing, NY (US)

(72) Inventor: **Gabriel Sezanayev**, Flushing, NY (US)

(**) Term: **15 Years**

(21) Appl. No.: **29/529,056**

(22) Filed: **Jun. 3, 2015**

Related U.S. Application Data

(63) Continuation-in-part of application No. 29/520,145, filed on Mar. 11, 2015.

(51) **LOC (10) Cl.** **09-01**

(52) **U.S. Cl.**
USPC **D9/600; D9/529; D9/559; D9/575; D9/445**

(58) **Field of Classification Search**
USPC **D9/529, 559, 572-575, 434-435, 438, D9/444-445**

CPC **B65D 67/00; B65D 5/425; B65D 81/363; B65D 81/365; B65D 81/366; B65D 81/368**
See application file for complete search history.

(56) **References Cited**

U.S. PATENT DOCUMENTS

D92,775 S 11/1932 Sekine
D267,544 S 1/1983 Neto

(Continued)

Primary Examiner — Sandra Morris

(74) *Attorney, Agent, or Firm* — Henry M. Feiereisen LLC

(57) **CLAIM**

The ornamental design for a gold bar-shaped container for alcoholic and non-alcoholic beverages, as shown and described.

DESCRIPTION

FIG. 1 is a perspective view of a gold bar-shaped container for alcoholic and non-alcoholic beverages in accordance with my new design;

FIG. 2 is a front side view of the new gold bar-shaped container shown in FIG. 1 in accordance with my design;

FIG. 3 is a rear side view of the new gold bar-shaped container shown in FIG. 1 in accordance with my design;

FIG. 4 is a left side view of the new gold bar-shaped container shown in FIG. 1 in accordance with my design;

FIG. 5 is a top plan view of the new gold bar-shaped container shown in FIG. 1 in accordance with my design;

FIG. 6 is a bottom plan view of the new gold bar-shaped container shown in FIG. 1 in accordance with my design;

FIG. 7 is a perspective view of the new gold bar-shaped container shown in FIG. 1 in accordance with my design;

FIG. 8 is a perspective view of a second embodiment of a gold bar-shaped container for alcoholic and non-alcoholic beverages in accordance with my new design;

FIG. 9 is a front view of the new gold bar-shaped container shown in FIG. 8 in accordance with my new design;

FIG. 10 is a rear view of the new gold bar-shaped container shown in FIG. 8 in accordance with my new design;

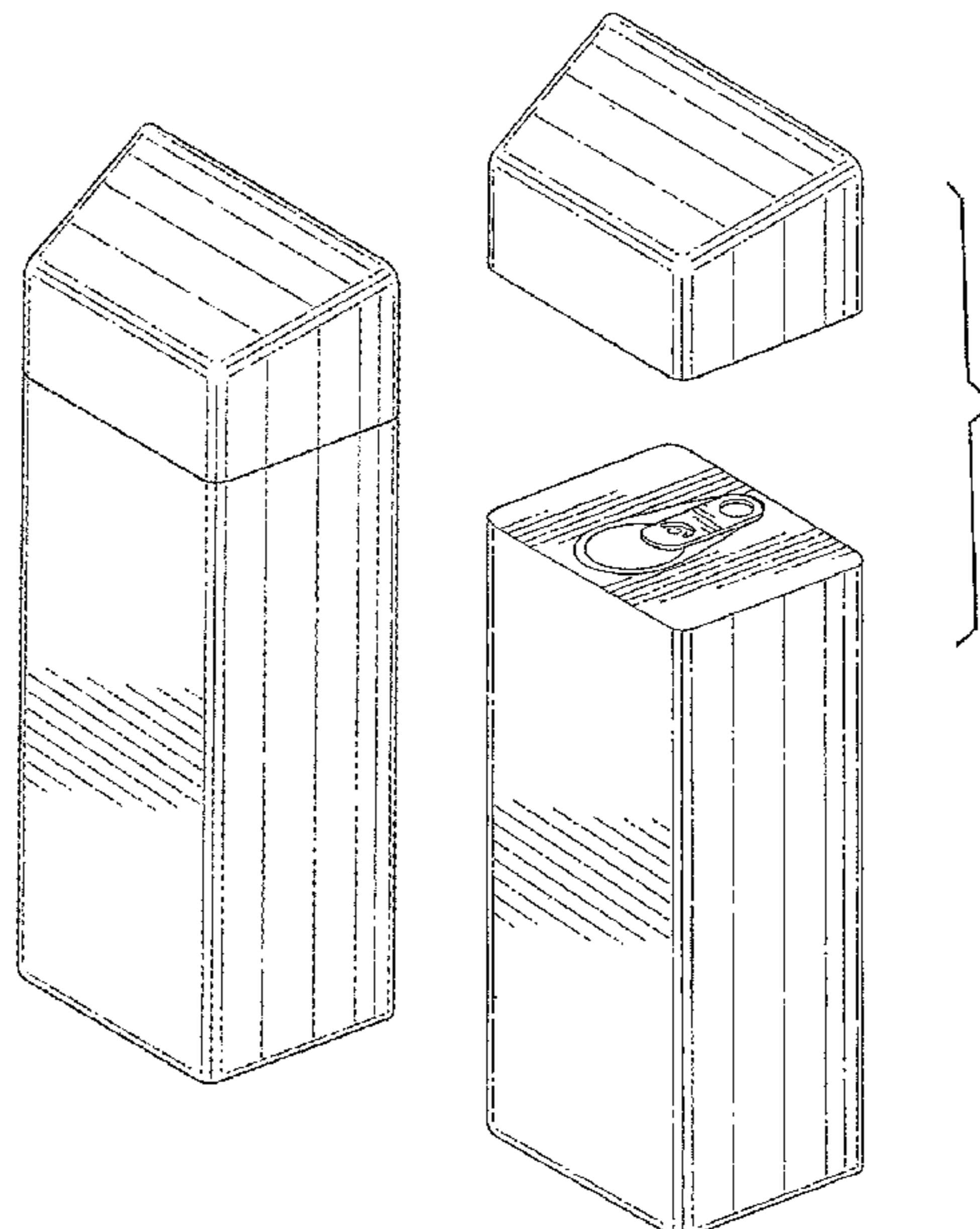
FIG. 11 is a left side view of the new gold bar-shaped container shown in FIG. 8 in accordance with my new design;

FIG. 12 is a top plan view of the new gold, bar-shaped container shown in FIG. 8 in accordance with my new design;

FIG. 13 is a bottom plan view of the new gold bar-shaped container shown in FIG. 8 in accordance with my new design; and,

FIG. 14 is a perspective view of the new gold bar-shaped container shown in FIG. 8 in accordance with my new design.

1 Claim, 8 Drawing Sheets



(56)

References Cited

U.S. PATENT DOCUMENTS

D273,462 S 4/1984 Mode
D338,406 S * 8/1993 Bennebroek D9/572
D356,502 S * 3/1995 Poandl D9/573
D361,271 S * 8/1995 Goldstein D9/572
D425,787 S * 5/2000 Kellar D9/431
D466,412 S * 12/2002 Baskinger D9/529
D493,913 S 8/2004 Kwok
D507,375 S * 7/2005 Lin D27/148

D530,603 S * 10/2006 Lohrman D9/438
D610,463 S * 2/2010 Duchaufour-Lawrance .. D9/600
D637,904 S 5/2011 Anderson
D639,669 S * 6/2011 Adler D9/435
D643,298 S * 8/2011 Gillespie D9/572
D643,301 S * 8/2011 Consylman D9/431
D644,108 S * 8/2011 Vila Calvo D9/529
D670,885 S * 11/2012 Merrick D99/37
D695,620 S * 12/2013 Karekar D9/529
D726,542 S 4/2015 Xu
D726,967 S 4/2015 Komai

* cited by examiner

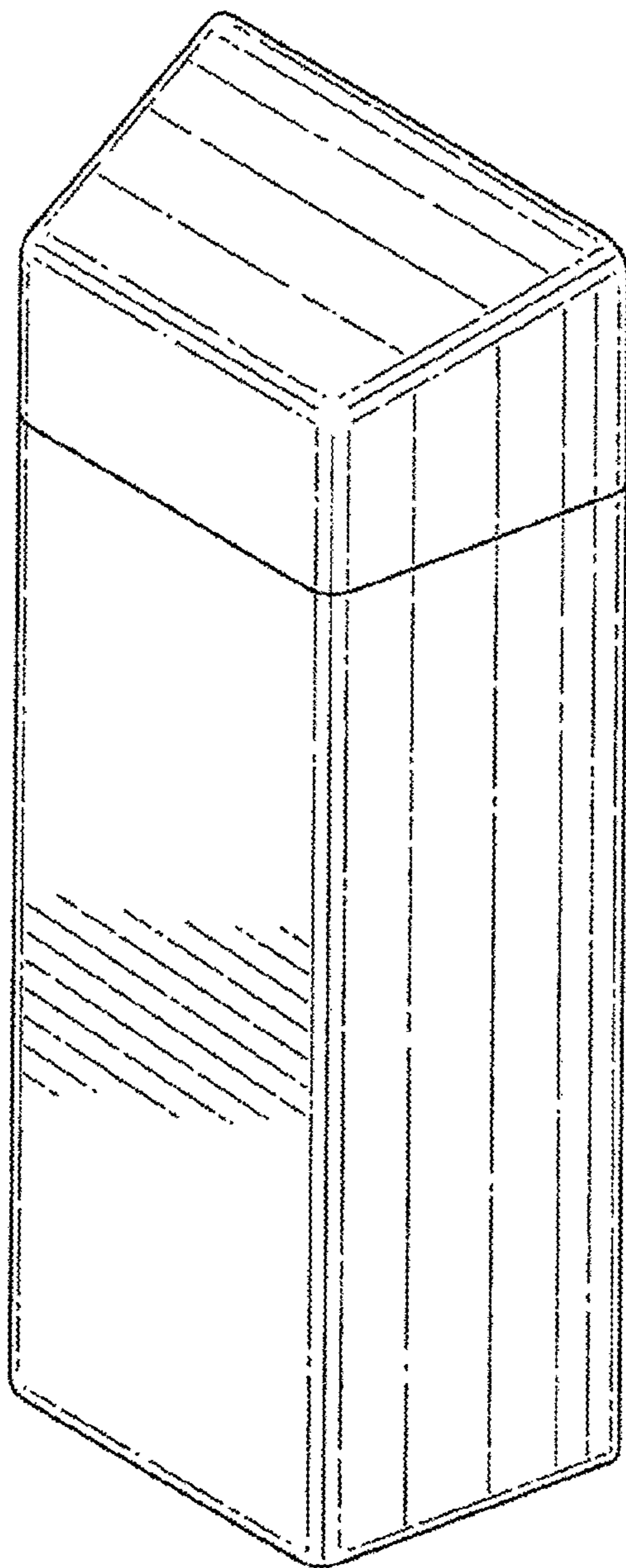


FIG. 1

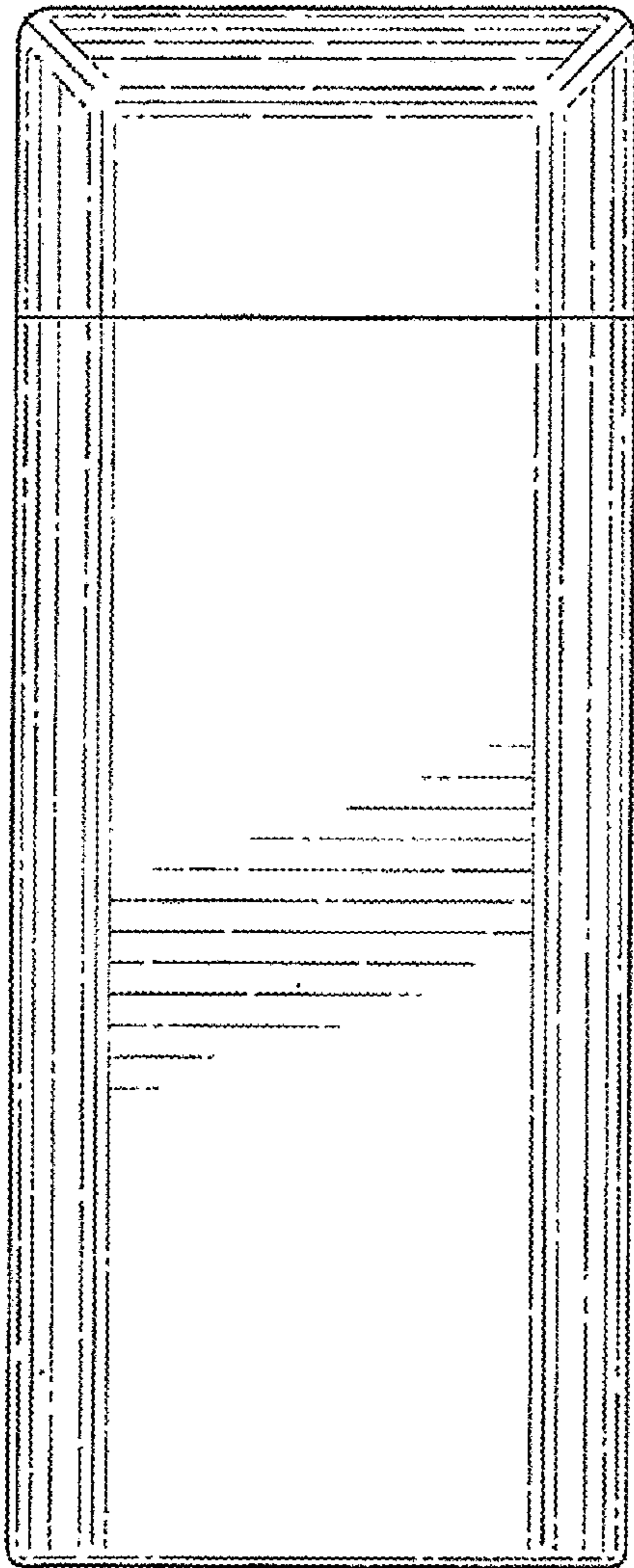


FIG. 2

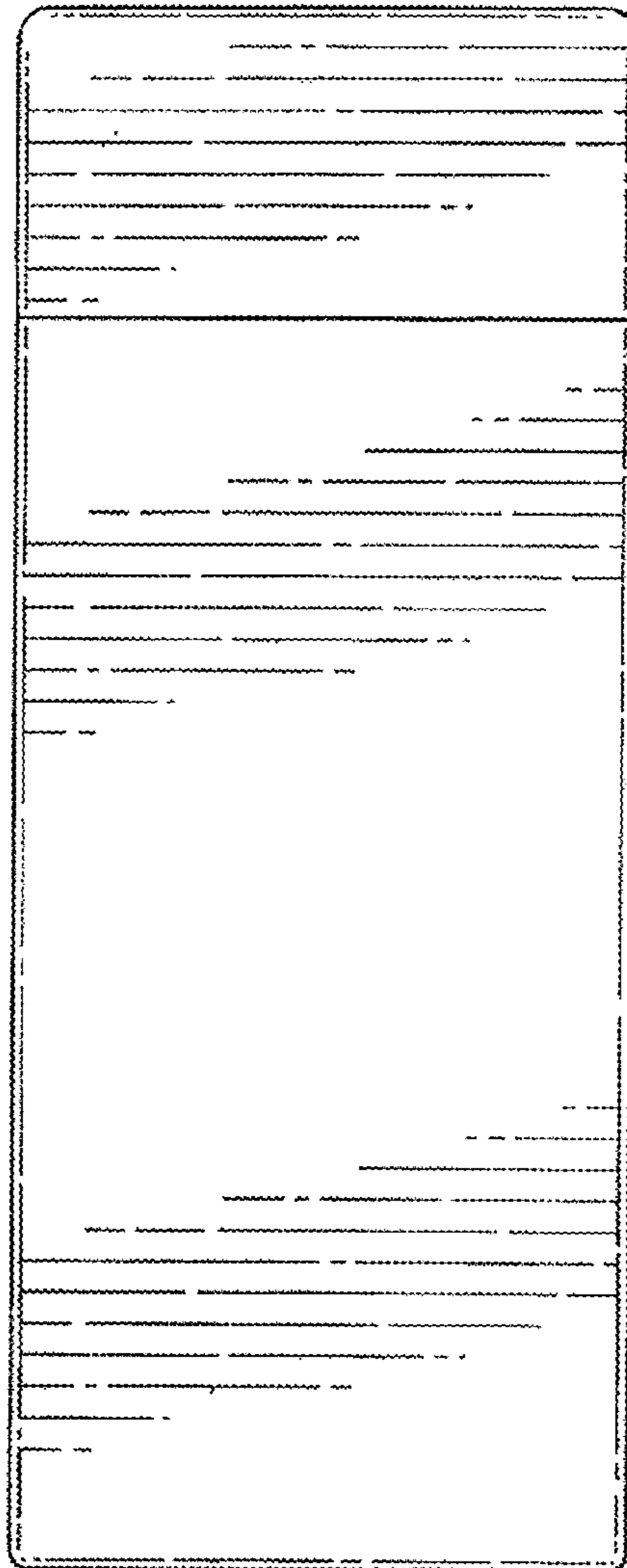


FIG. 3

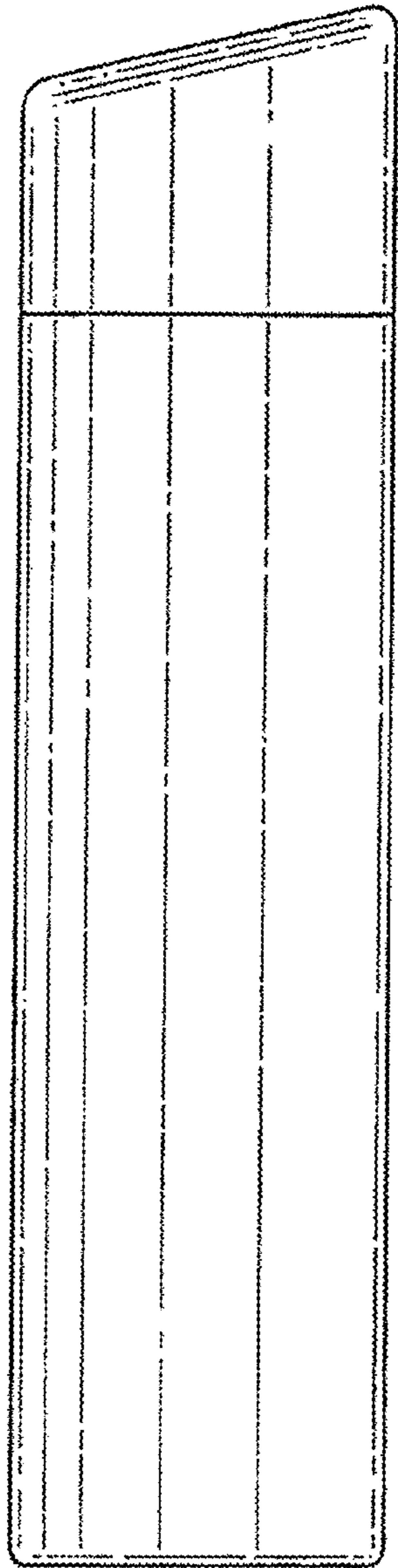


FIG. 4

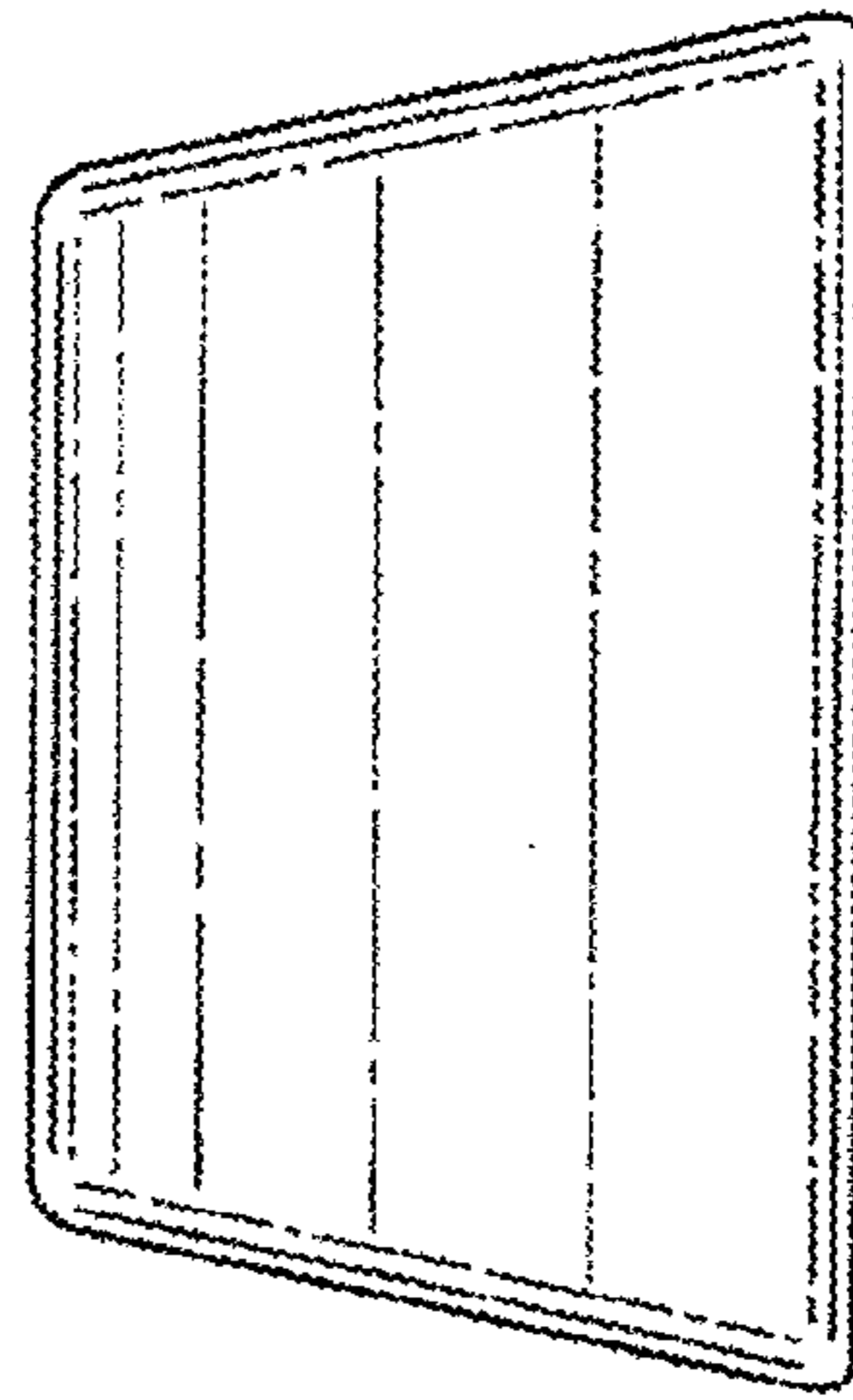


FIG. 5

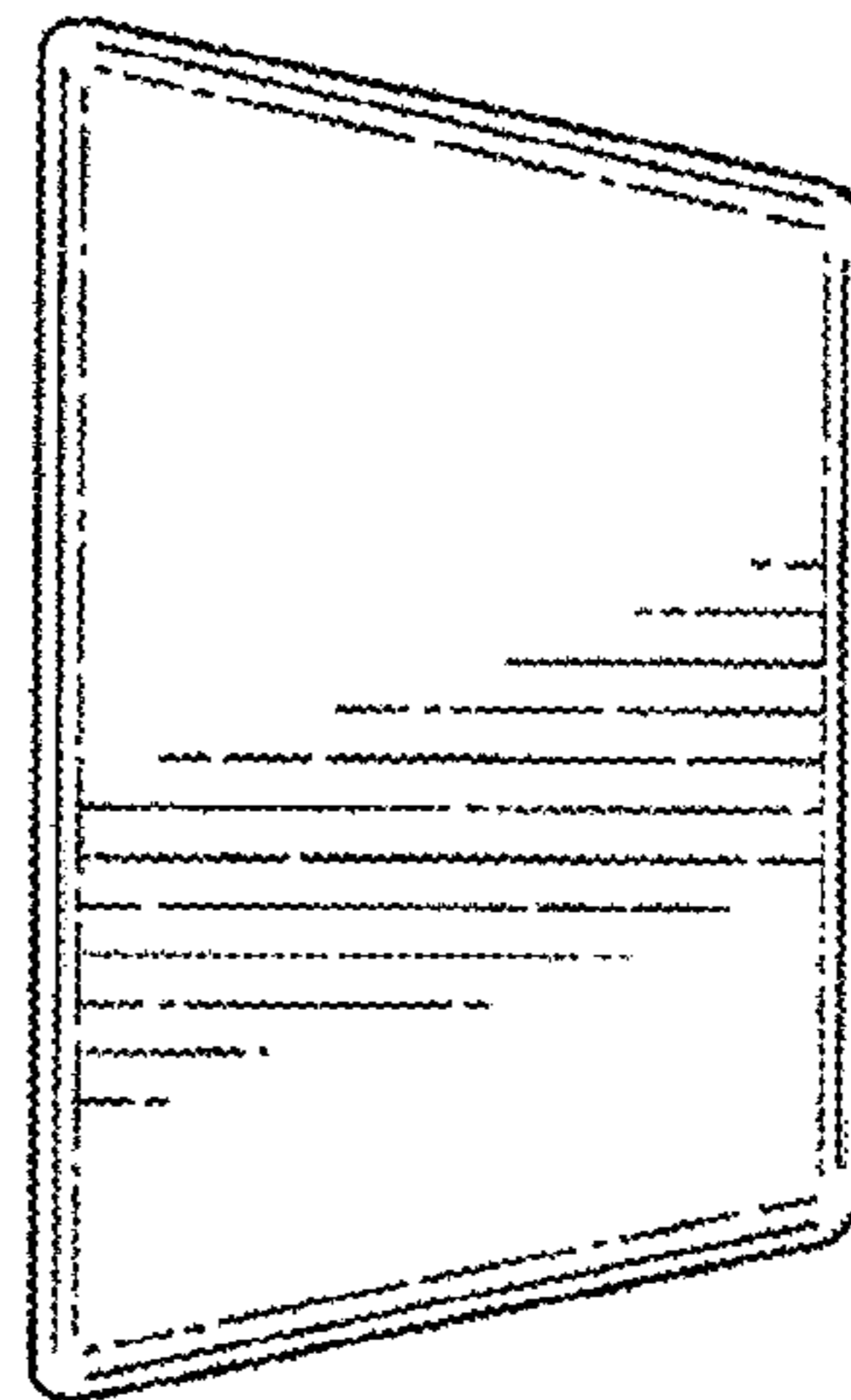


FIG. 6

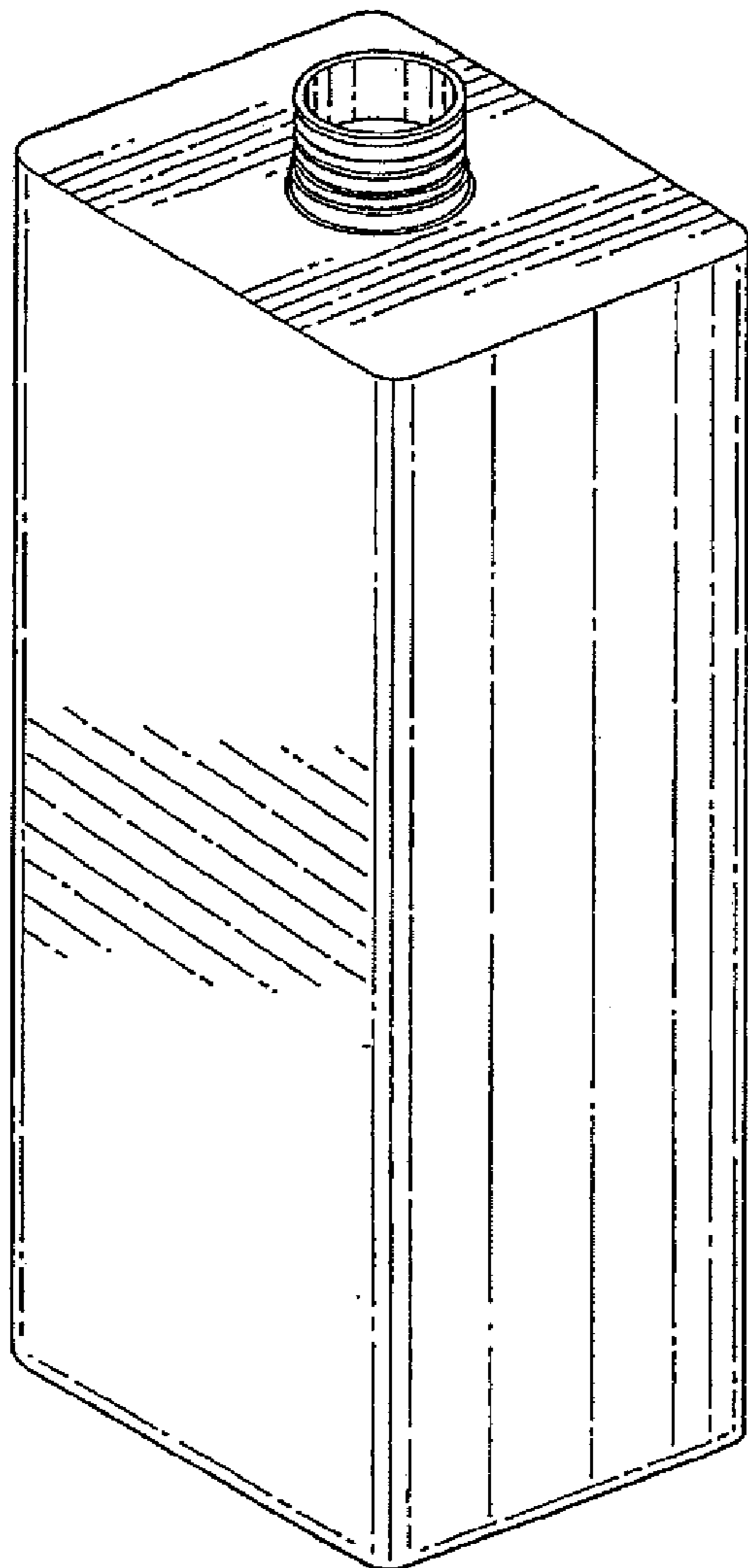
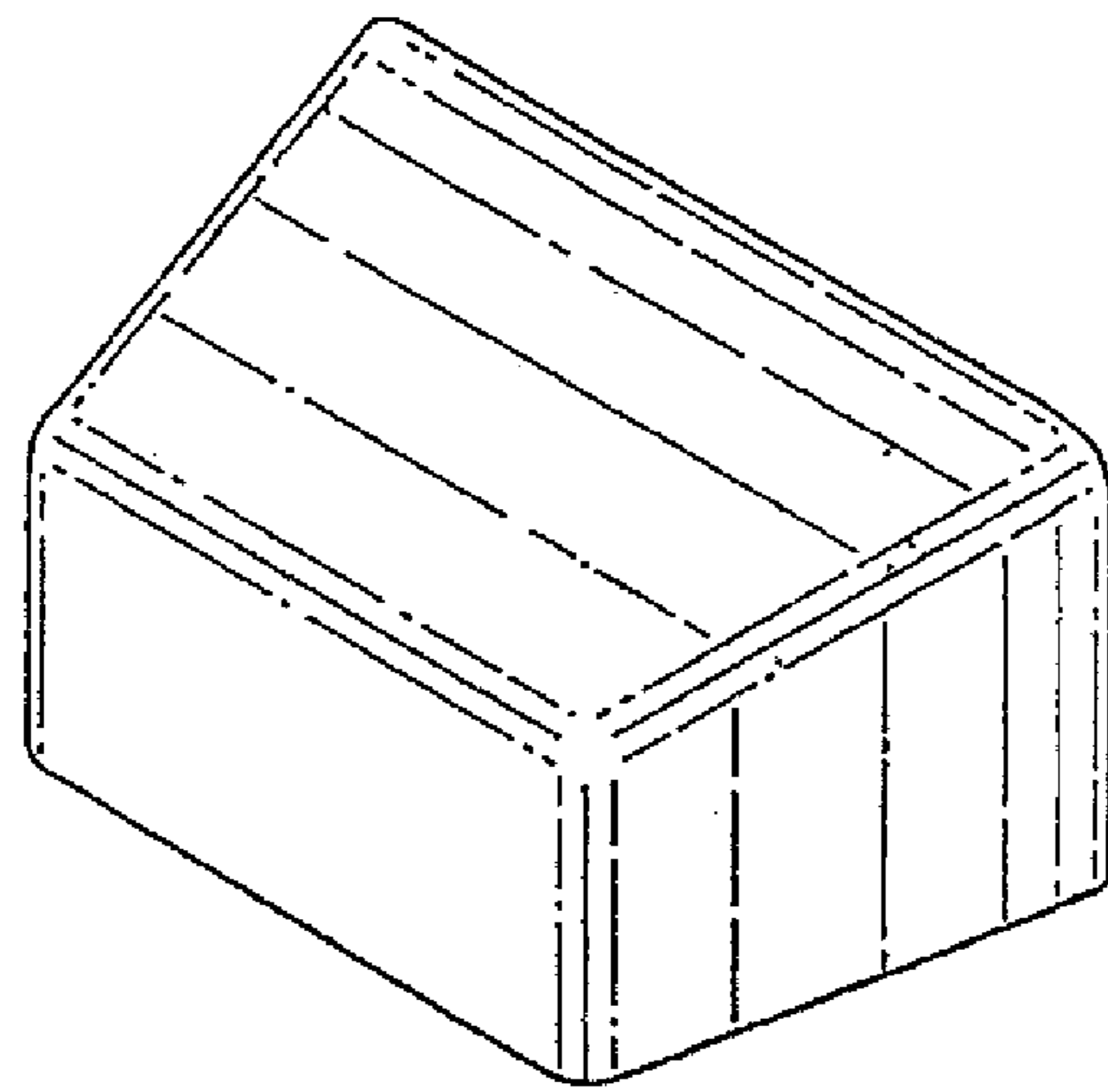


FIG. 7

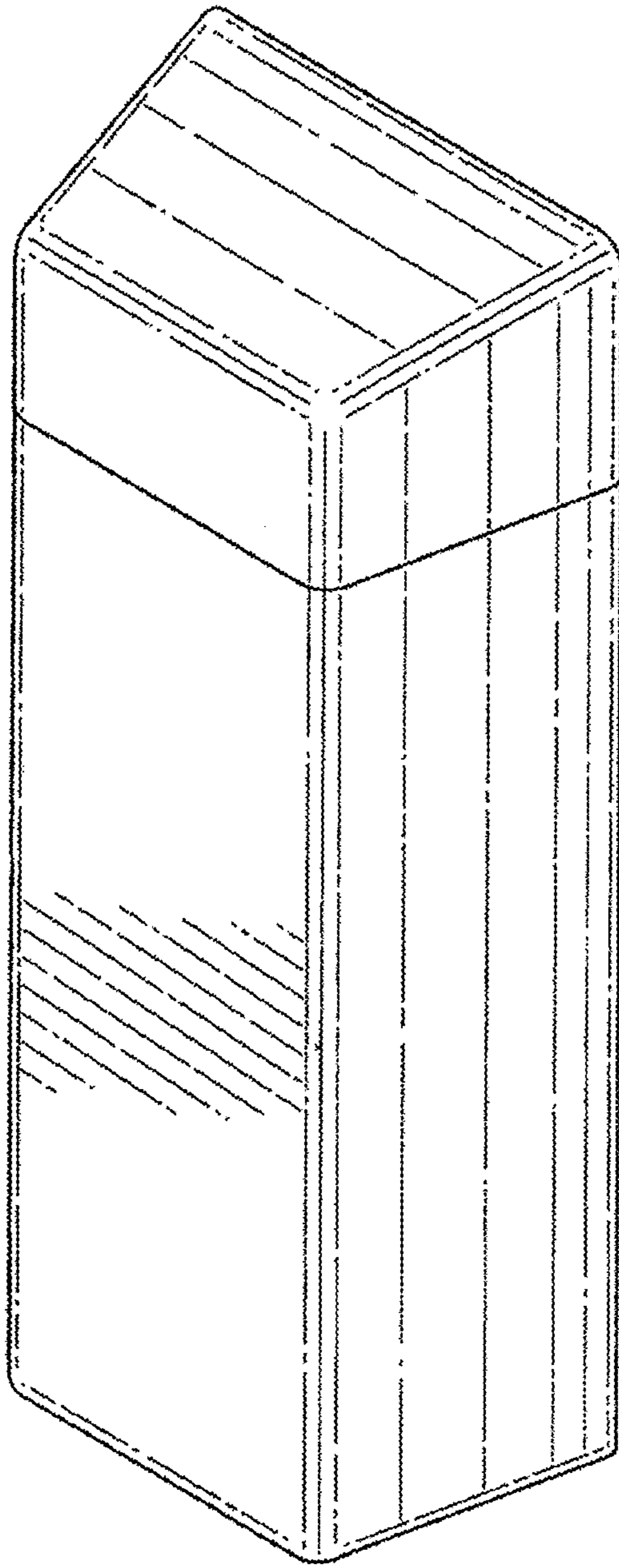


FIG. 8

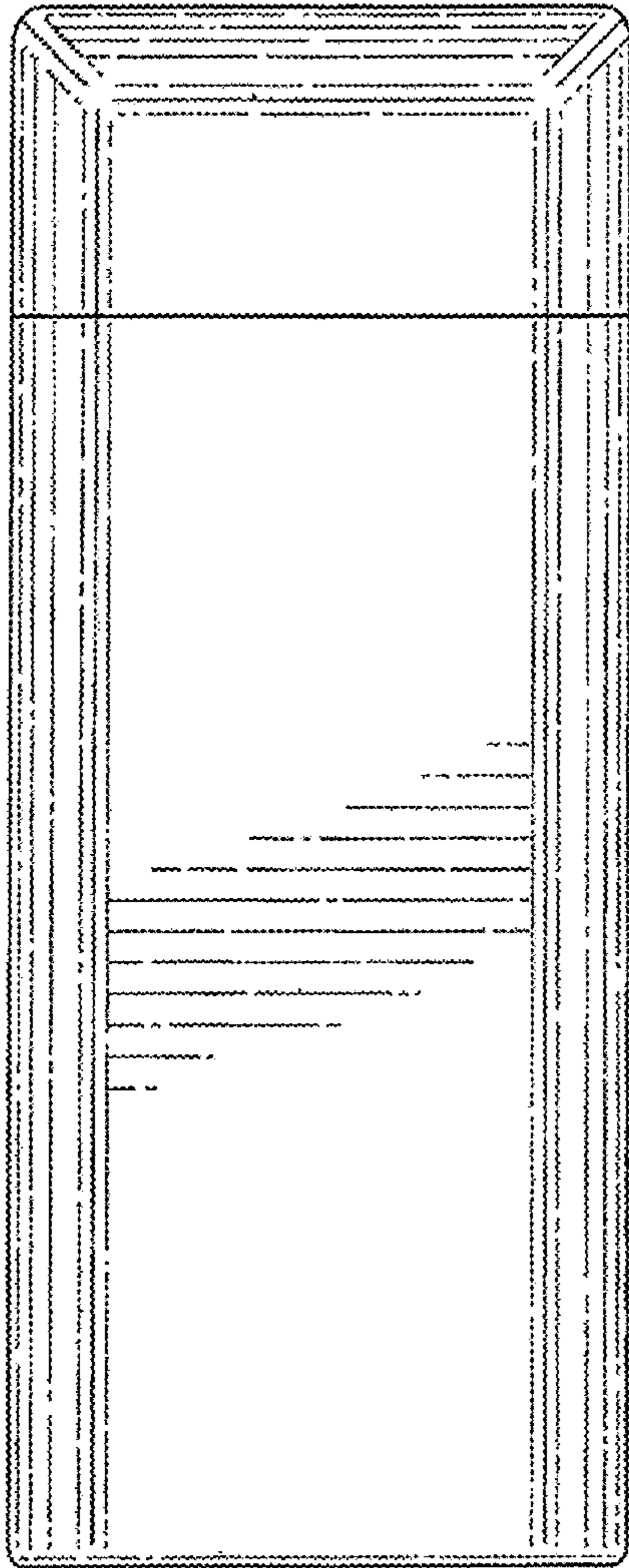


FIG. 9

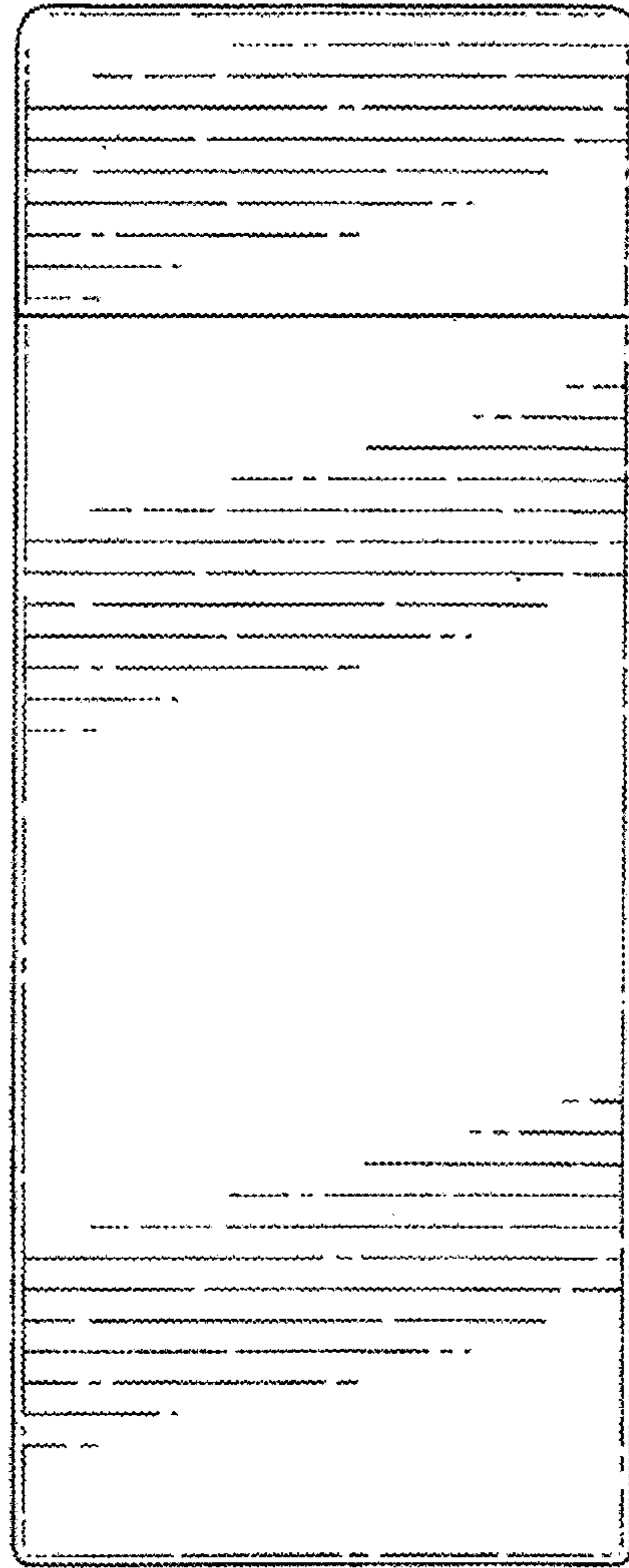


FIG. 10

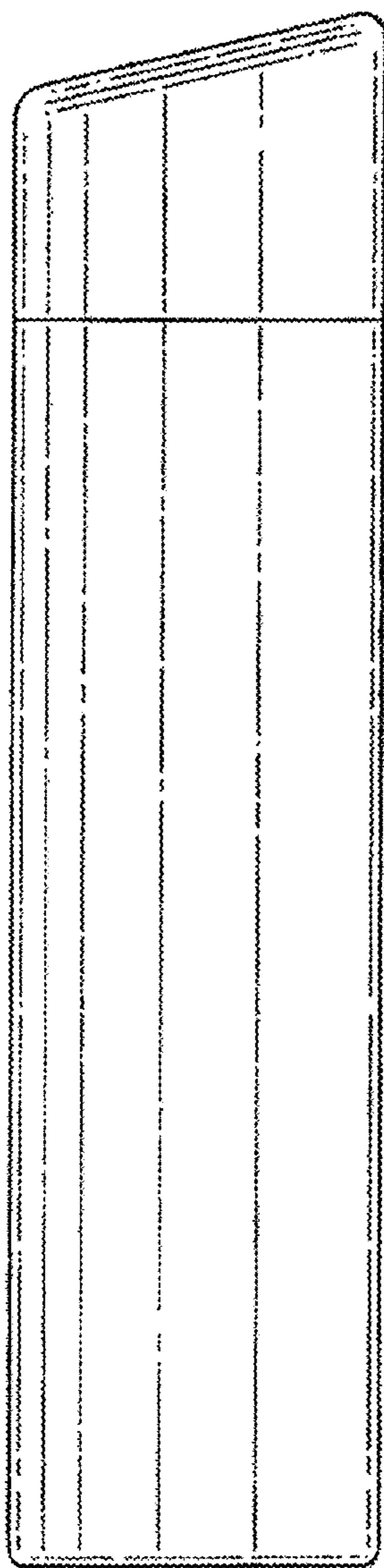


FIG. 11

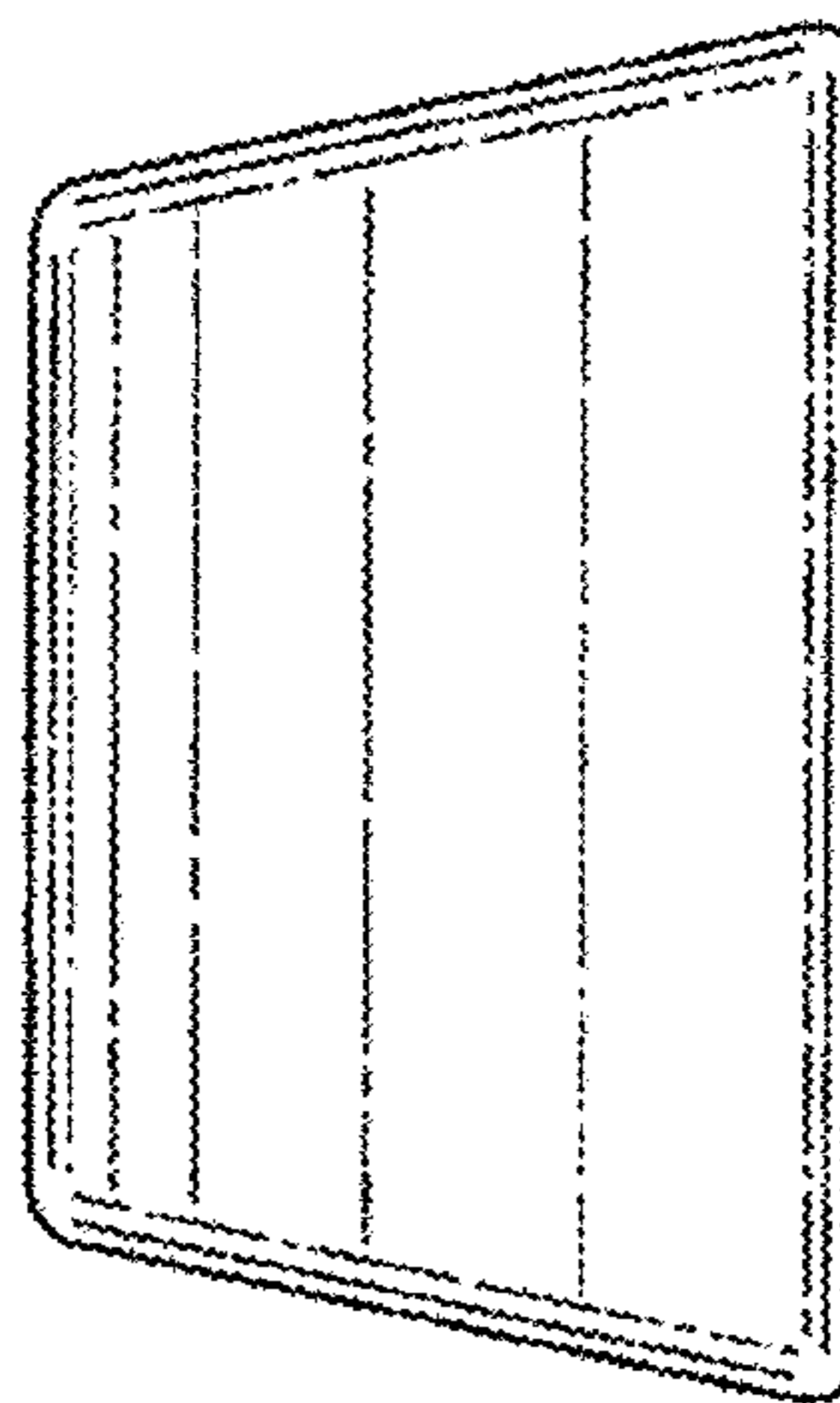


FIG. 12

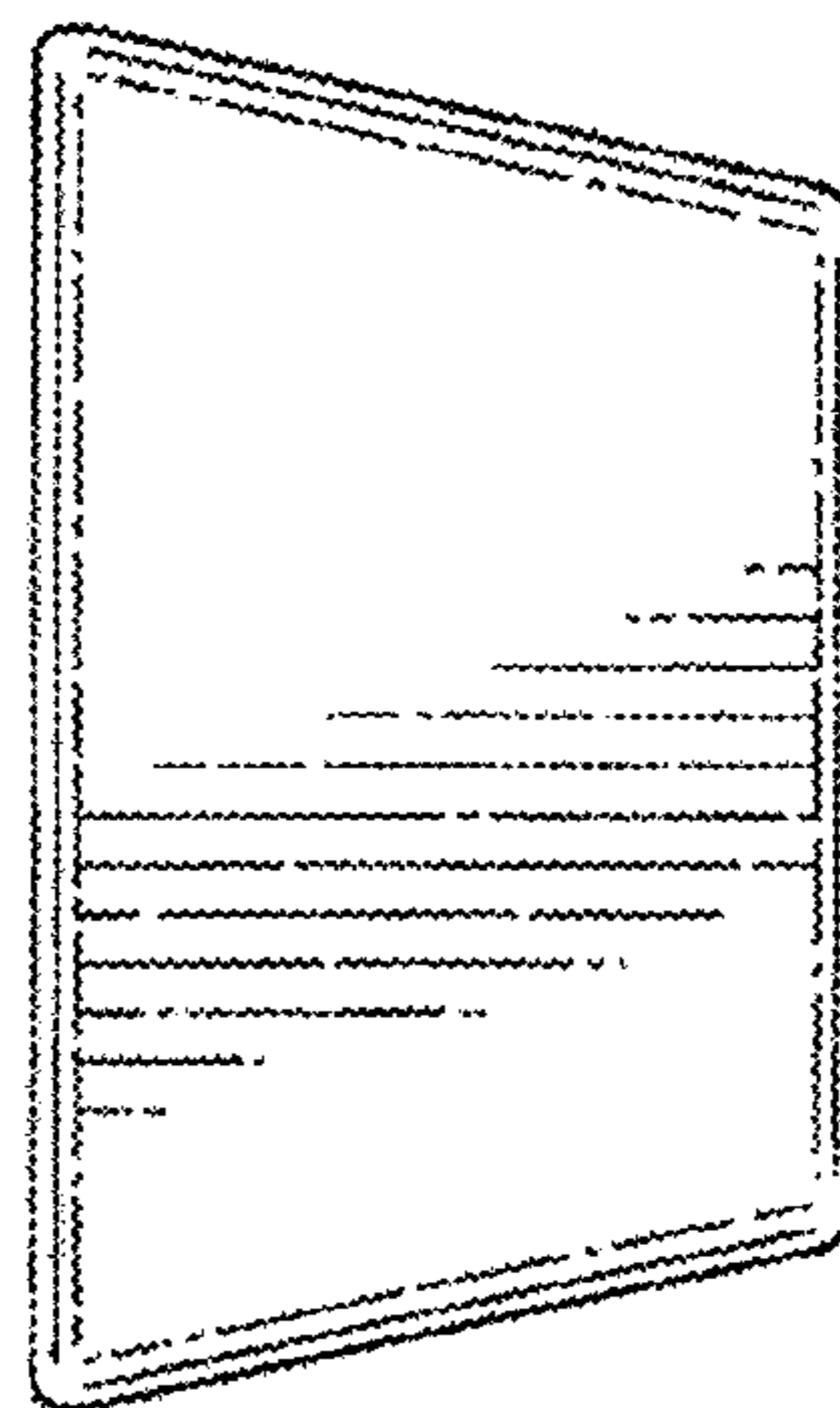


FIG. 13

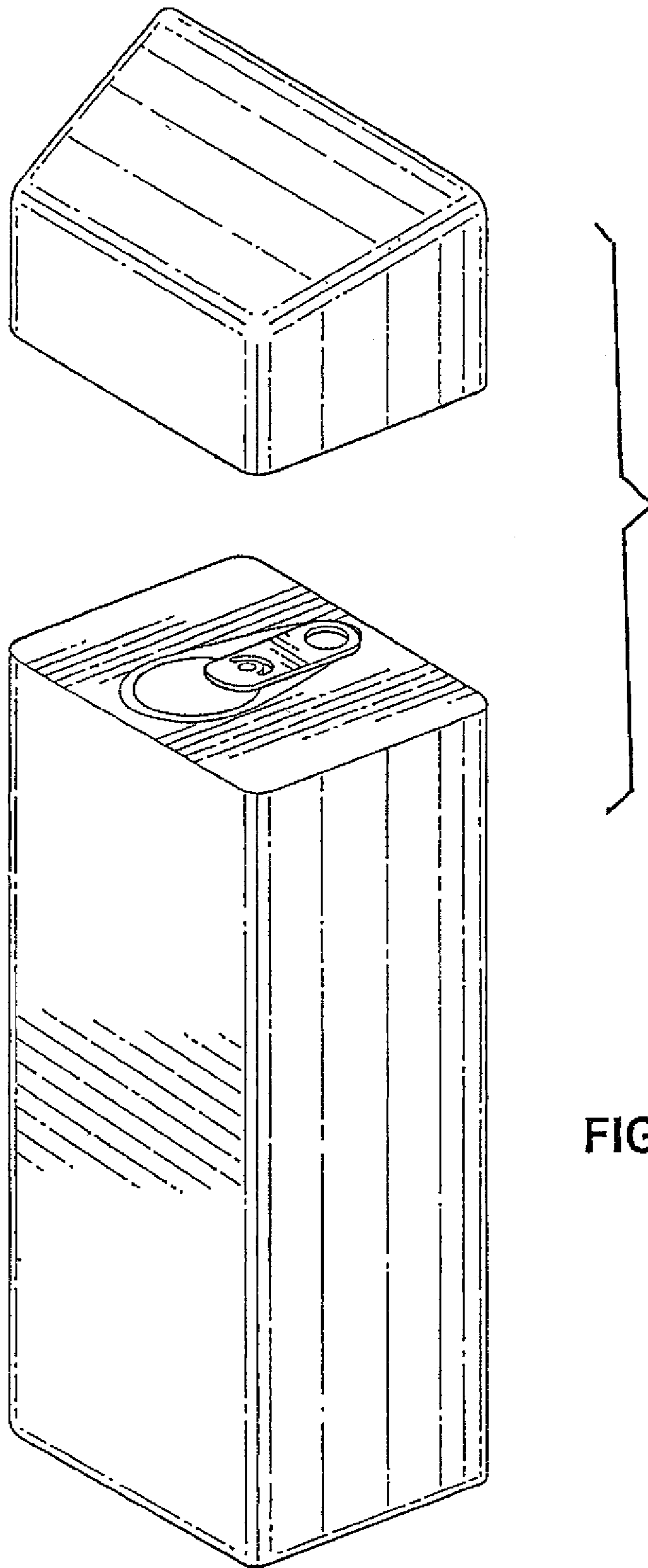


FIG. 14

UNITED STATES PATENT AND TRADEMARK OFFICE
CERTIFICATE OF CORRECTION

PATENT NO. : D750,498 S
APPLICATION NO. : 29/529056
DATED : March 1, 2016
INVENTOR(S) : Gabriel Sezanayev

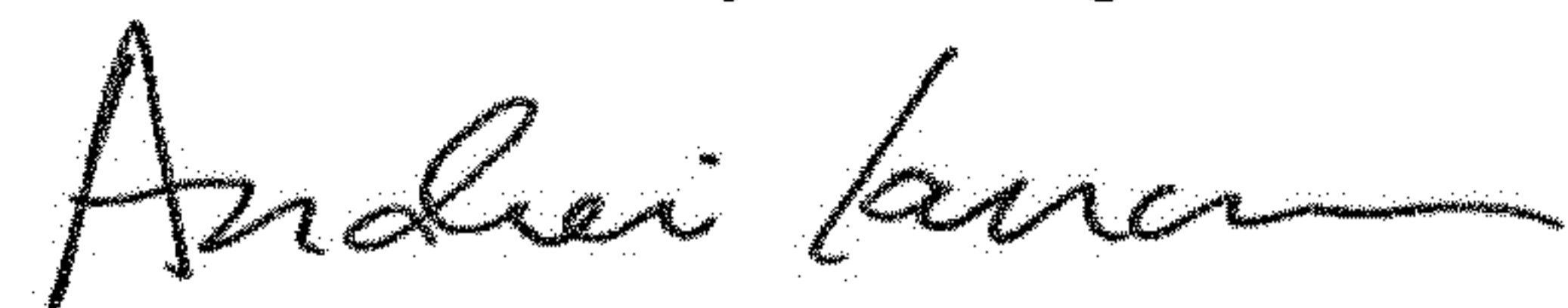
Page 1 of 4

It is certified that error appears in the above-identified patent and that said Letters Patent is hereby corrected as shown below:

Delete the title page and substitute therefore with the attached title page consisting of the corrected illustrative figure(s).

Please replace FIGS. 7 and 14 with FIGS. 7 and 14 as shown on the attached pages.

Signed and Sealed this
Fourteenth Day of August, 2018



Andrei Iancu
Director of the United States Patent and Trademark Office

(12) **United States Design Patent** (10) **Patent No.:** **US D750,498 S**
Sezanayev (45) **Date of Patent:** **** Mar. 1, 2016**

(54) **GOLD BAR-SHAPED CONTAINER FOR ALCOHOLIC AND NON-ALCOHOLIC BEVERAGES**

(71) Applicant: **Gabriel Sezanayev, Flushing, NY (US)**

(72) Inventor: **Gabriel Sezanayev, Flushing, NY (US)**

(**) Term: **15 Years**

(21) Appl. No.: **29/529,056**

(22) Filed: **Jun. 3, 2015**

Related U.S. Application Data

(63) Continuation-in-part of application No. 29/520,145, filed on Mar. 11, 2015.

(51) **LOC (10) CL** **09-01**

(52) **U.S. CL**
 USPC **D9/600; D9/529; D9/559; D9/575; D9/445**

(58) **Field of Classification Search**
 USPC **D9/529, 559, 572-575, 434-435, 438, D9/444-445**

CPC **B65D 67/00; B65D 5/425; B65D 81/363; B65D 81/365; B65D 81/366; B65D 81/368**
 See application file for complete search history.

(56) **References Cited**

U.S. PATENT DOCUMENTS

D92,775 S 11/1932 Sekine
 D267,544 S 1/1983 Neto

(Continued)

Primary Examiner — Sandra Morris

(74) *Attorney, Agent, or Firm* — Henry M. Feiereisen LLC

(57) **CLAIM**

The ornamental design for a gold bar-shaped container for alcoholic and non-alcoholic beverages, as shown and described.

DESCRIPTION

FIG. 1 is a perspective view of a gold bar-shaped container for alcoholic and non-alcoholic beverages in accordance with my new design;

FIG. 2 is a front side view of the new gold bar-shaped container shown in FIG. 1 in accordance with my design;

FIG. 3 is a rear side view of the new gold bar-shaped container shown in FIG. 1 in accordance with my design;

FIG. 4 is a left side view of the new gold bar-shaped container shown in FIG. 1 in accordance with my design;

FIG. 5 is a top plan view of the new gold bar-shaped container shown in FIG. 1 in accordance with my design;

FIG. 6 is a bottom plan view of the new gold bar-shaped container shown in FIG. 1 in accordance with my design;

FIG. 7 is a perspective view of the new gold bar-shaped container shown in FIG. 1 in accordance with my design;

FIG. 8 is a perspective view of a second embodiment of a gold bar-shaped container for alcoholic and non-alcoholic beverages in accordance with my new design;

FIG. 9 is a front view of the new gold bar-shaped container shown in FIG. 8 in accordance with my new design;

FIG. 10 is a rear view of the new gold bar-shaped container shown in FIG. 8 in accordance with my new design;

FIG. 11 is a left side view of the new gold bar-shaped container shown in FIG. 8 in accordance with my new design;

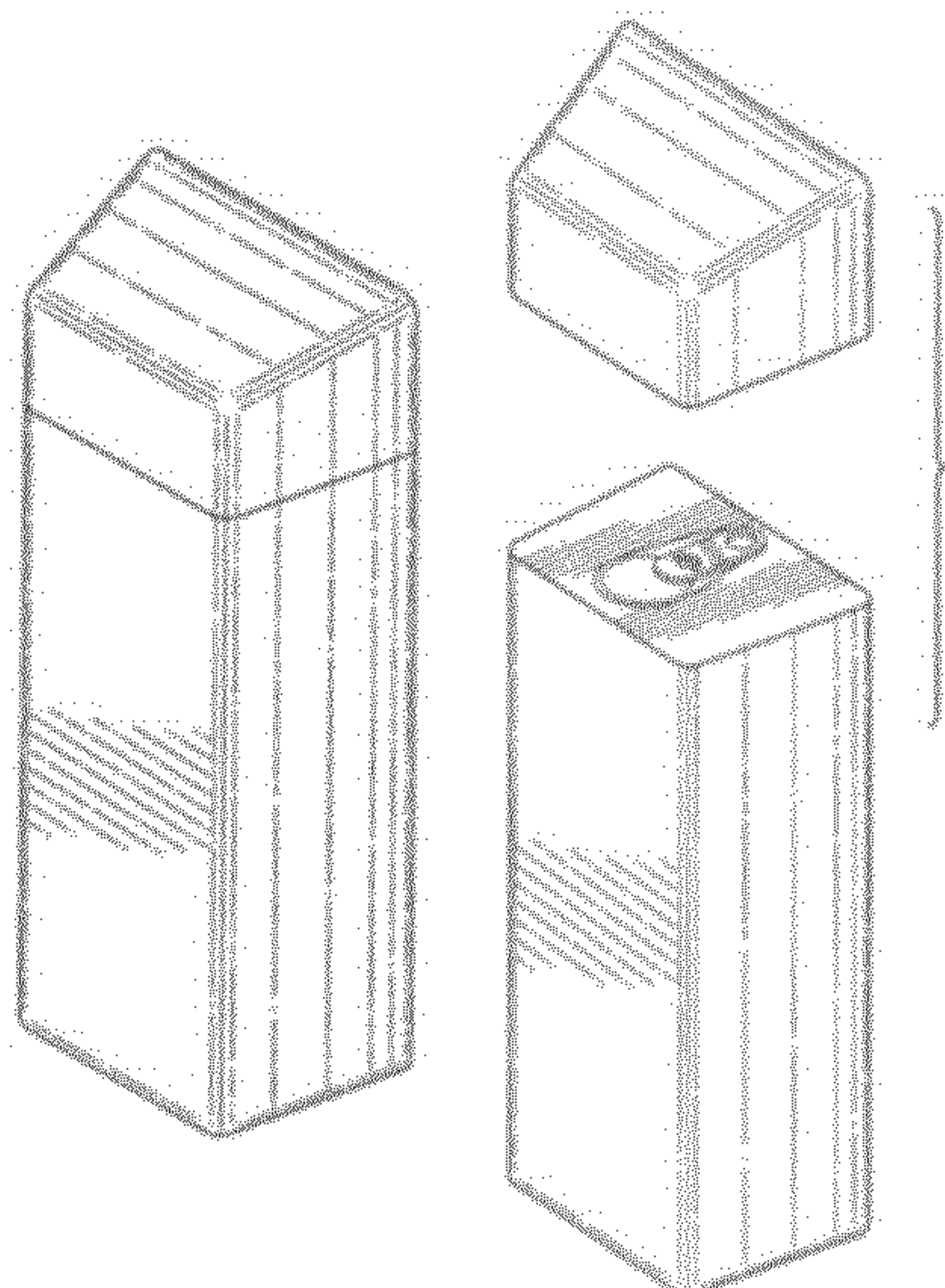
FIG. 12 is a top plan view of the new gold, bar-shaped container shown in FIG. 8 in accordance with my new design;

FIG. 13 is a bottom plan view of the new gold bar-shaped container shown in FIG. 8 in accordance with my new design;

and,

FIG. 14 is a perspective view of the new gold bar-shaped container shown in FIG. 8 in accordance with my new design.

1 Claim, 8 Drawing Sheets



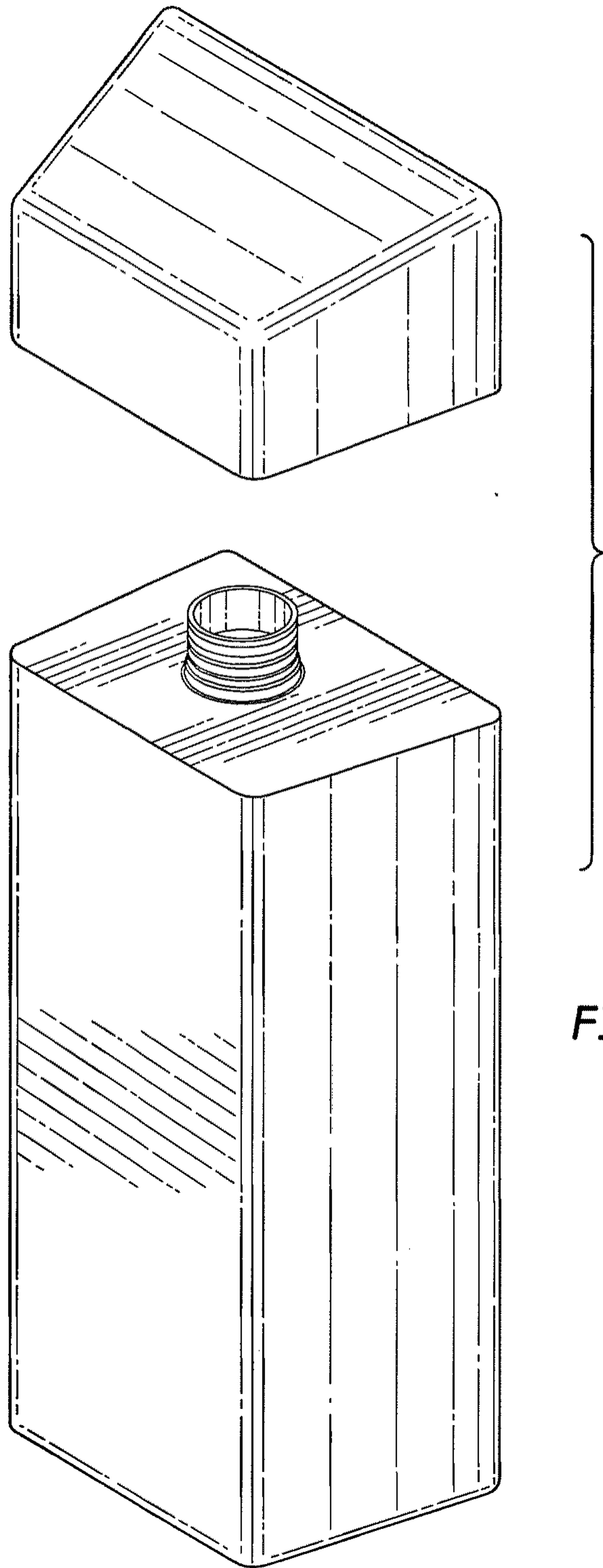


FIG. 7

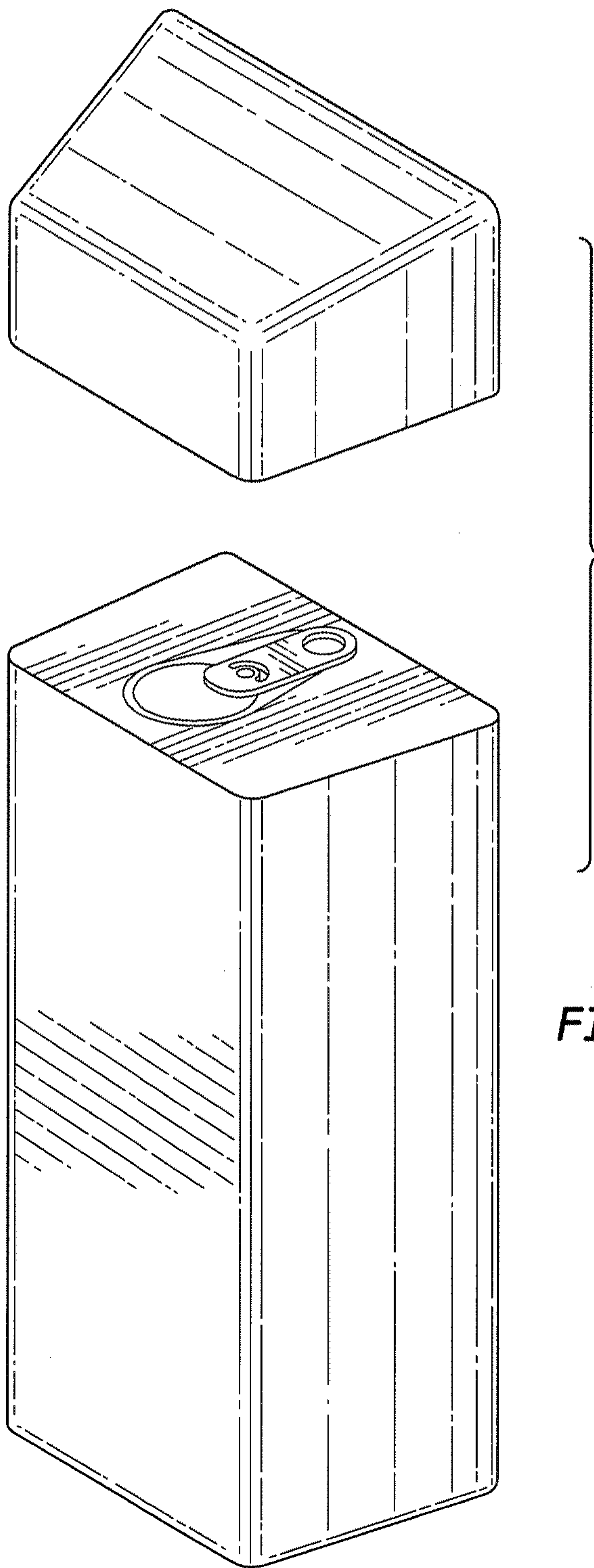


FIG. 14