



US00D750497S

(12) **United States Design Patent**  
**Gibbs et al.**

(10) **Patent No.:** **US D750,497 S**  
(45) **Date of Patent:** **\*\* Mar. 1, 2016**

(54) **BOTTLE**

(71) Applicant: **The Coca-Cola Company**, Atlanta, GA (US)

(72) Inventors: **Carlton A. Gibbs**, Mabelton, GA (US);  
**Tutul Rahman**, New York, NY (US)

(73) Assignee: **The Coca-Cola Company**, Atlanta, GA (US)

(\*\*) Term: **14 Years**

(21) Appl. No.: **29/495,111**

(22) Filed: **Jun. 27, 2014**

(51) **LOC (10) Cl.** ..... **09-01**

(52) **U.S. Cl.**

USPC ..... **D9/542**; D9/564; D9/570; D9/571

(58) **Field of Classification Search**

USPC ..... D9/516, 520, 521, 529, 530, 539, 540,  
D9/542, 543, 549–558, 563–575, 723–729,  
D9/414, 424, 434, 435, 436

CPC ..... B65D 23/00; B65D 23/102; B65D 1/00;  
B65D 1/0223; B65D 1/40; B65D 1/42;  
B65D 1/44; B65D 1/48; B65D 2501/00;  
B65D 2501/0009; B65D 2501/0018; B65D  
2501/0027; B65D 2501/0036; B65D  
2501/0045; B65D 2501/0081

See application file for complete search history.

(56) **References Cited**

**U.S. PATENT DOCUMENTS**

D139,892 S *	1/1945	Riha	.....	D9/542
5,105,989 A *	4/1992	Gutkowski	.....	B65D 47/0838 222/182
D347,385 S *	5/1994	Kunesh	.....	D9/694
D379,931 S *	6/1997	Crawford	.....	D9/540
D392,561 S *	3/1998	Markey	.....	D9/521
5,800,144 A *	9/1998	Glenn	.....	B65D 1/0223 15/236.02

D422,506 S *	4/2000	Cummings	.....	D9/542
D445,178 S *	7/2001	Cogger	.....	D24/120
D455,655 S *	4/2002	Bunce		
D480,003 S *	9/2003	Blades	.....	D9/529
D480,005 S *	9/2003	Conway	.....	D9/530
D525,873 S *	8/2006	Haubert	.....	D9/529
D526,204 S *	8/2006	Stolle	.....	D9/529
D528,012 S *	9/2006	Snyder	.....	D9/529
D551,555 S *	9/2007	Escobosa et al.		
D556,056 S *	11/2007	Thomas	.....	D9/529
D558,580 S *	1/2008	Kuzma et al.		
D566,564 S *	4/2008	Lee	.....	D9/520

(Continued)

**FOREIGN PATENT DOCUMENTS**

CA	116365	11/2007
CA	117889	1/2008

(Continued)

*Primary Examiner* — Catherine Tuttle

(74) *Attorney, Agent, or Firm* — Parks Wood LLC; Collen A. Beard, Esq.

(57)

**CLAIM**

We claim the ornamental design for a bottle, as shown and described.

**DESCRIPTION**

FIG. 1 is a perspective view of a bottle showing our new design;

FIG. 2 is a right side elevational view thereof;

FIG. 3 is a front elevational view thereof;

FIG. 4 is a left side elevational view thereof;

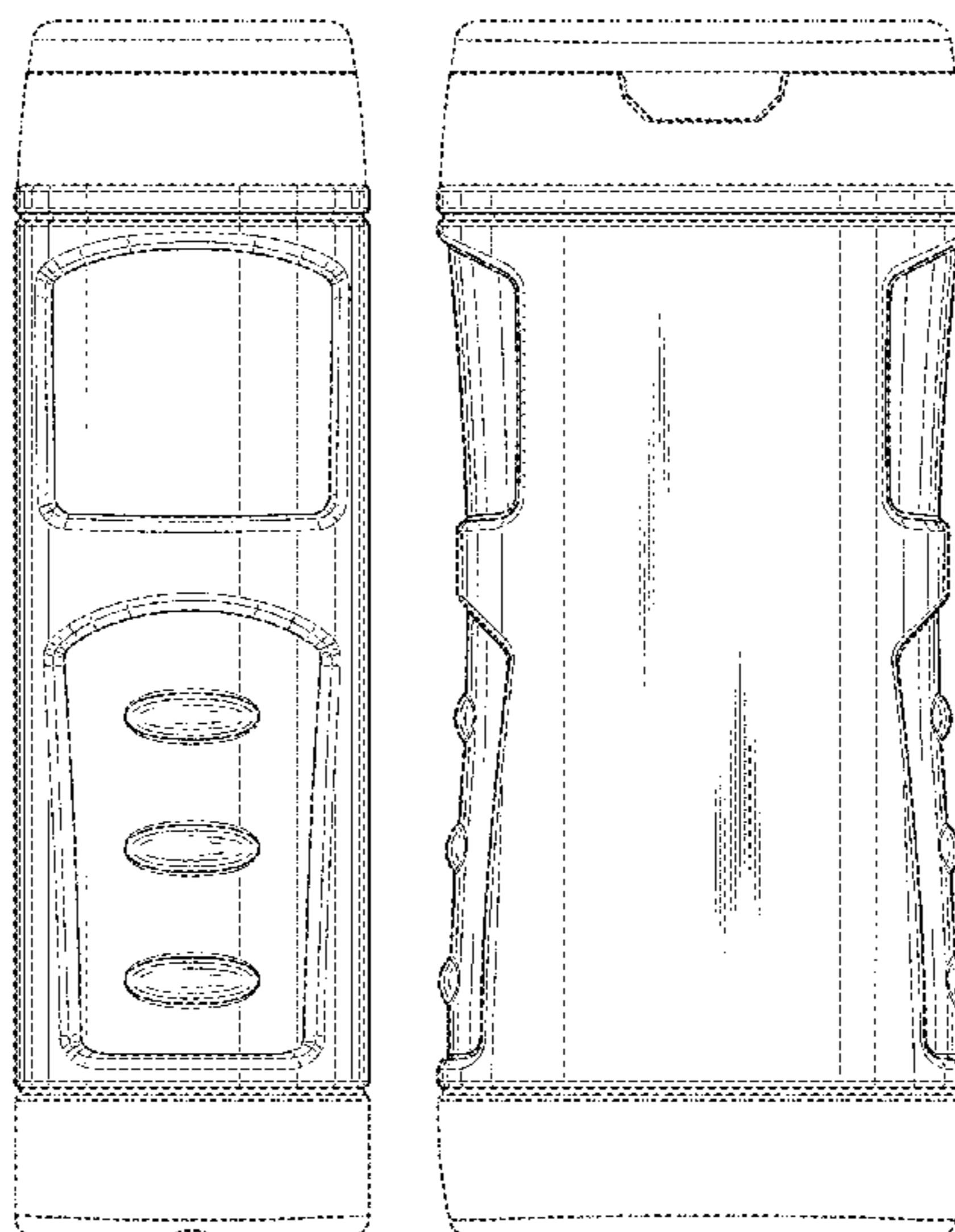
FIG. 5 is a back elevational view thereof;

FIG. 6 is a top plan view thereof; and,

FIG. 7 is a bottom plan view thereof.

The uneven-length broken lines represent unclaimed boundaries of the claimed design. The even-length broken lines showing the remainder of the bottle are for illustrative purposes only and form no part of the claimed design.

**1 Claim, 4 Drawing Sheets**



(56)

**References Cited**

U.S. PATENT DOCUMENTS

D584,159 S 1/2009 Domoy et al.  
D593,866 S \* 6/2009 Dombrowski ..... D9/542  
D612,257 S \* 3/2010 Wurster ..... D9/560  
D615,871 S 5/2010 Renz et al.  
D620,801 S 8/2010 Herstol et al.  
D623,960 S \* 9/2010 Kathofer ..... D9/729  
D629,695 S 12/2010 Zaniewski et al.  
D631,361 S 1/2011 Kuzma et al.  
D631,752 S 2/2011 Kuzma et al.  
D642,925 S 8/2011 Conklin et al.

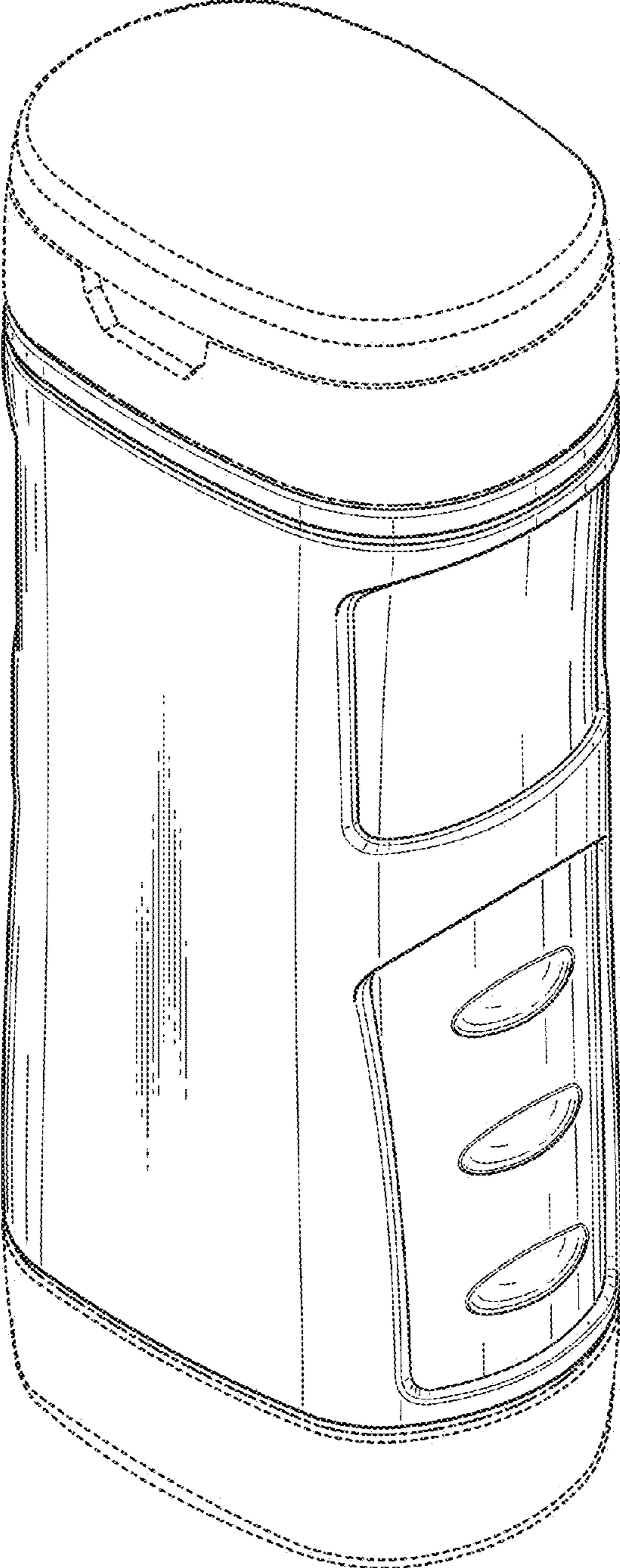
D646,978 S 10/2011 Horowitz  
D650,702 S \* 12/2011 Schriener ..... D9/557  
D656,027 S 3/2012 Conklin et al.  
D685,270 S \* 7/2013 Macias Mejia ..... D9/449  
D696,123 S \* 12/2013 Brummelhuis ..... D9/516  
D737,683 S \* 9/2015 Staten ..... D9/541

FOREIGN PATENT DOCUMENTS

CA 121269 12/2008  
CA 123561 12/2008  
CA 123562 12/2008

\* cited by examiner

**FIG. 1**



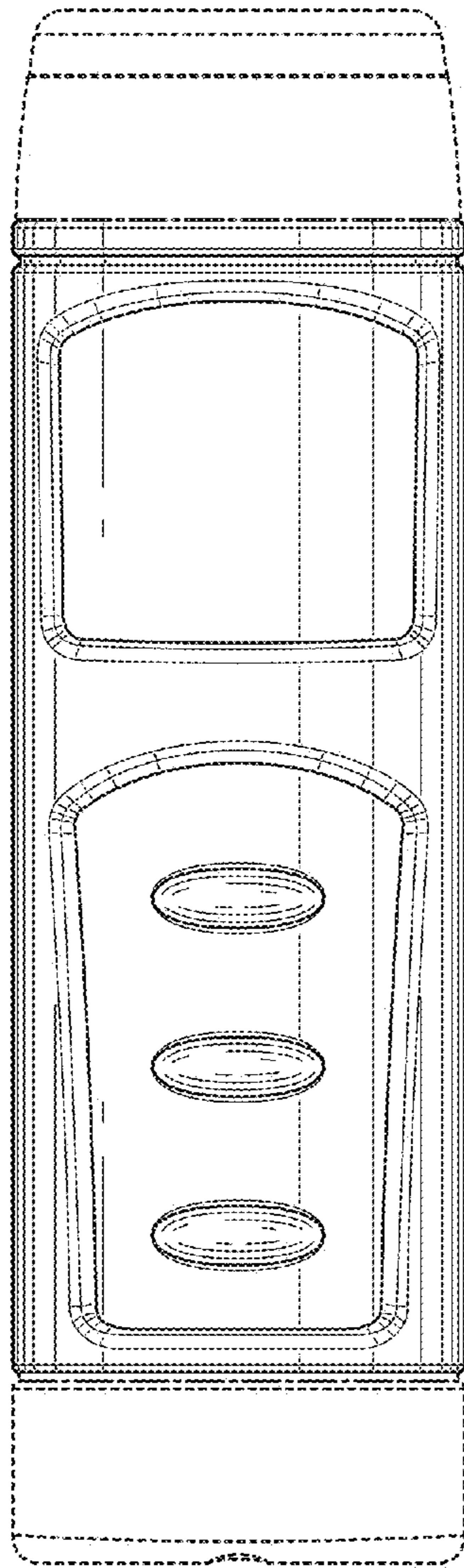


FIG. 2

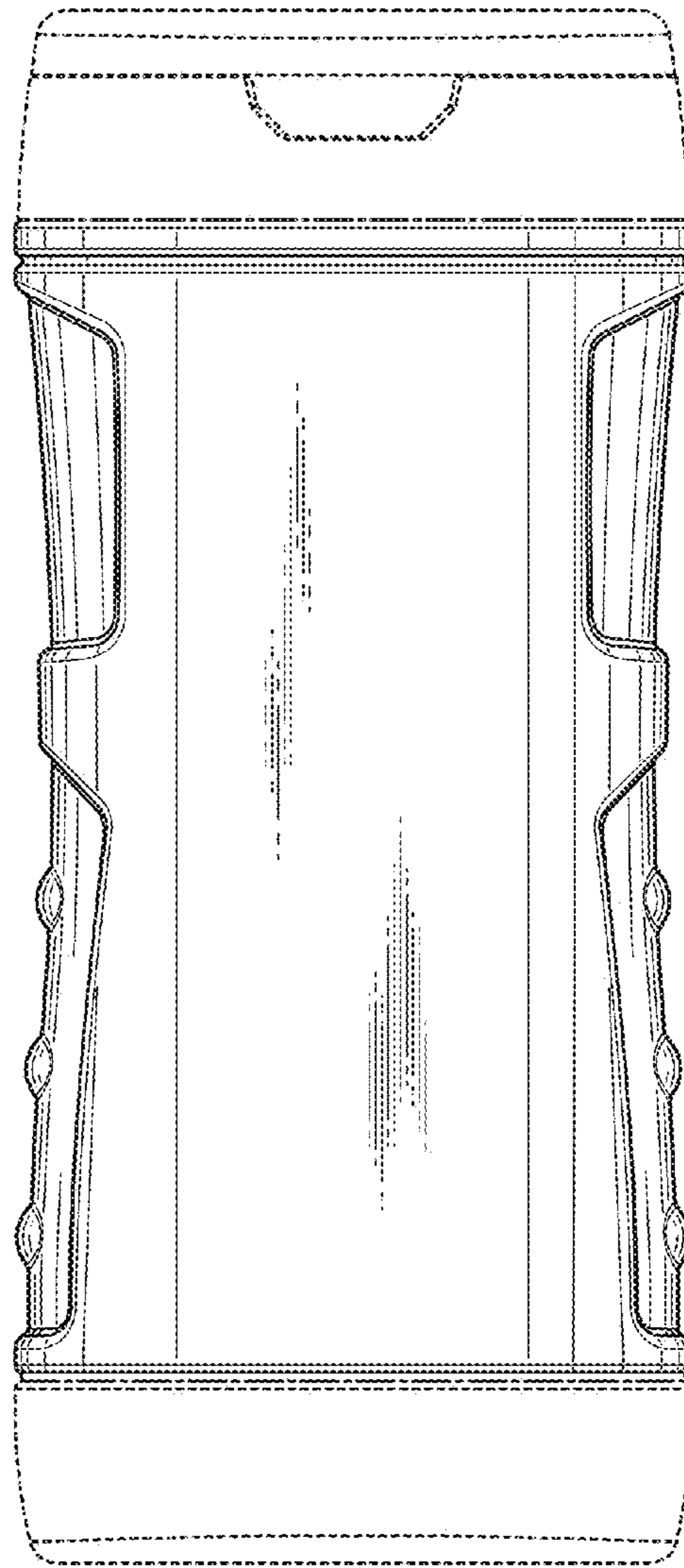


FIG. 3

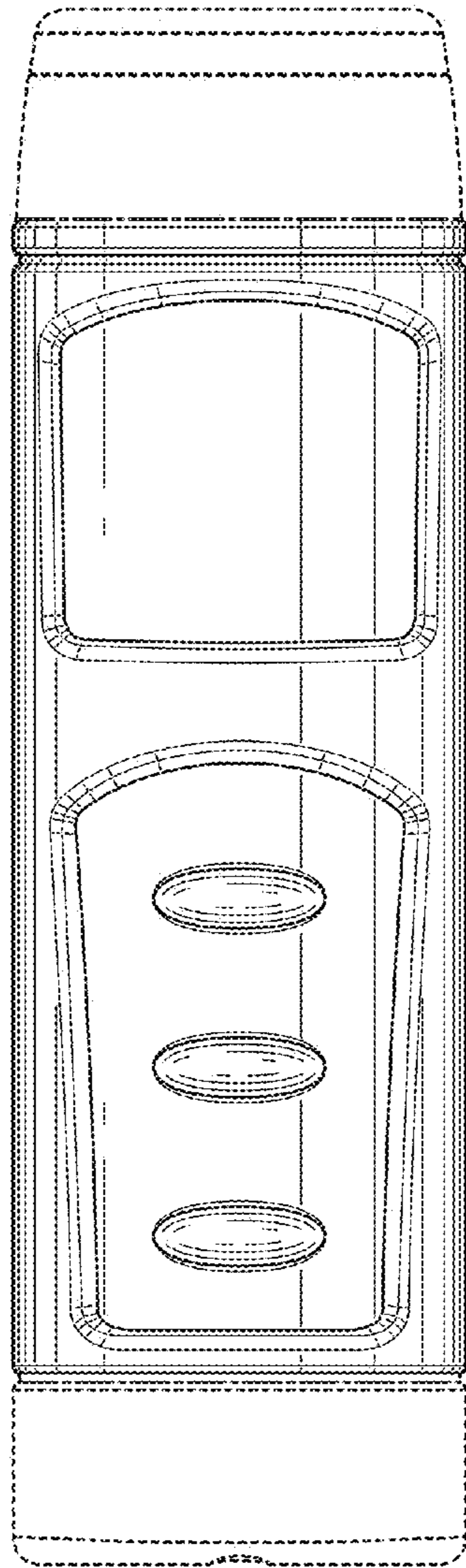


FIG. 4

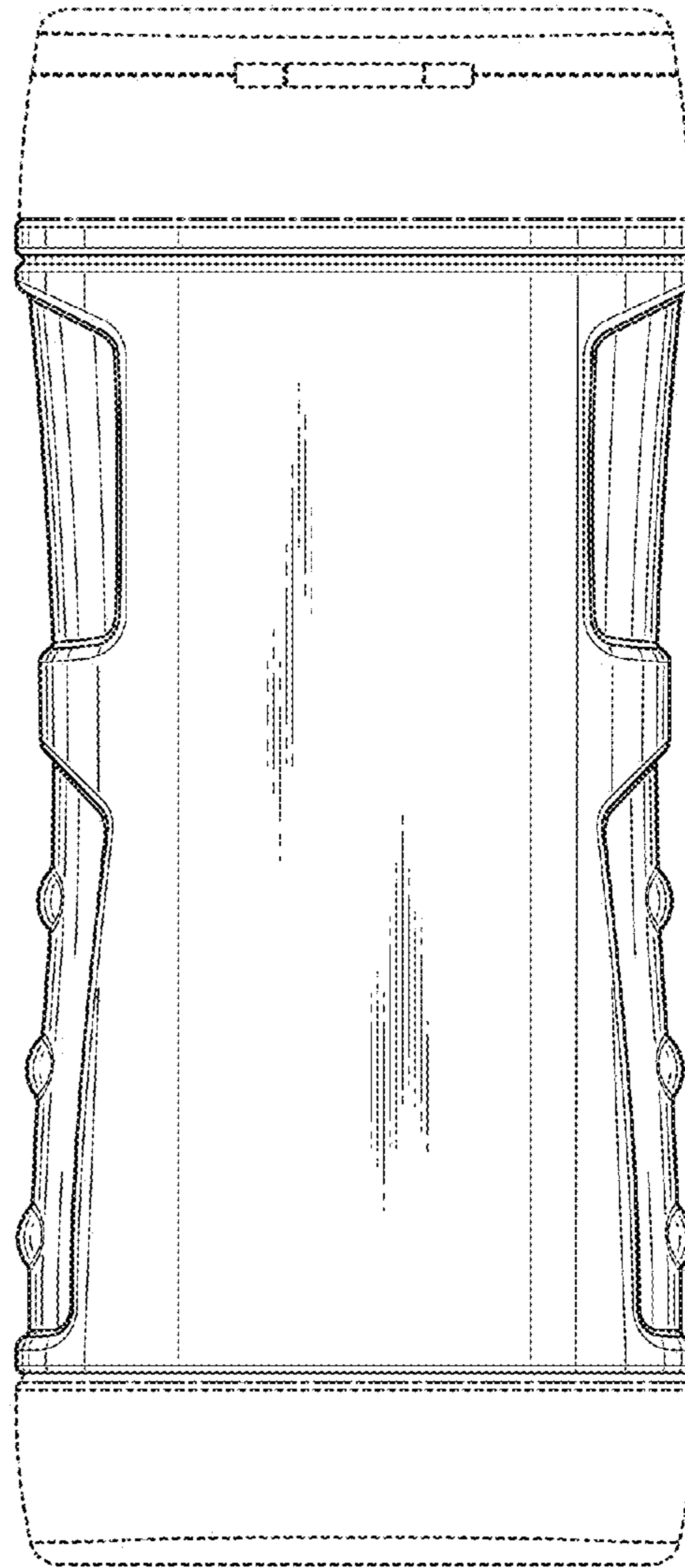


FIG. 5

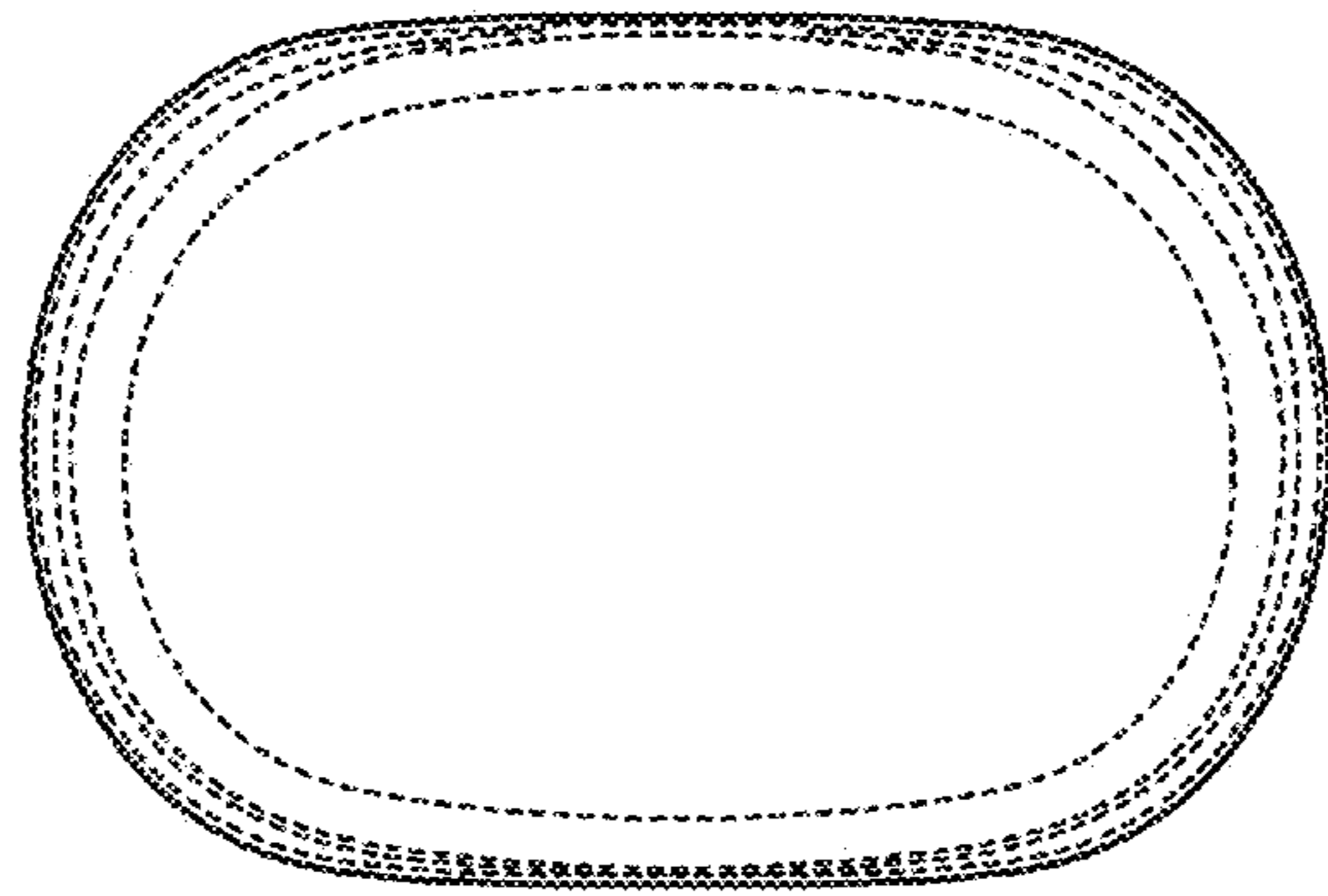


FIG. 6

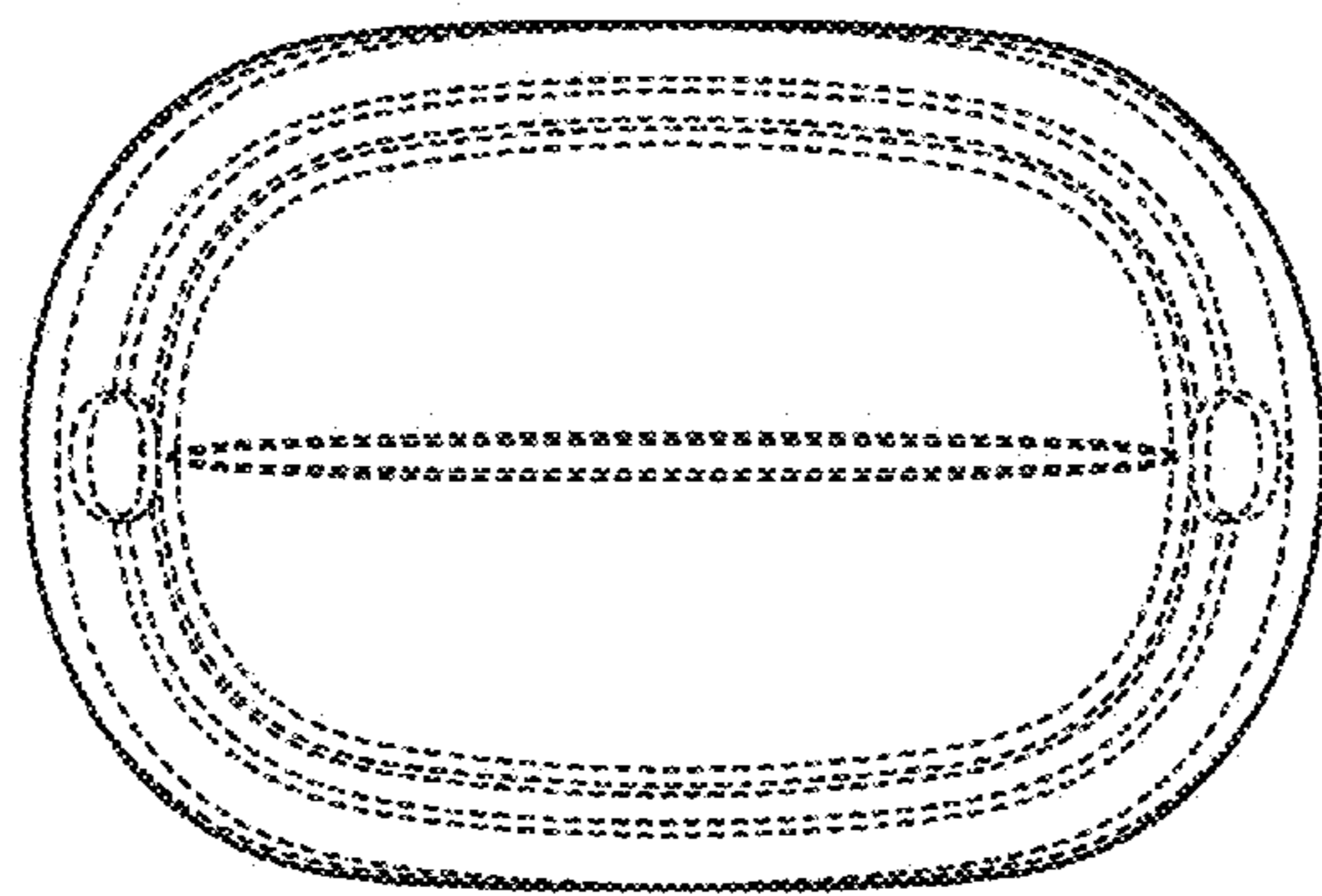


FIG. 7