



US00D750494S

(12) **United States Design Patent**
Boston et al.

(10) **Patent No.:** **US D750,494 S**
(45) **Date of Patent:** **** Mar. 1, 2016**

(54) **CONTAINER WITH SURFACE ORNAMENTATION**

CPC B65D 5/4204; B65D 15/08; B65D 1/34;
B65D 65/22; B65D 2577/205; B65D 5/706;
B65D 5/705

(71) Applicants: **Kristen Tanya Boston**, Cincinnati, OH (US); **Jennifer Marie Merchant**, Cincinnati, OH (US); **Jennifer Rebecca Pohlman**, Cincinnati, OH (US); **Jason Michael Hargis**, Bellevue, KY (US); **Kari Jean Young**, Cincinnati, OH (US); **Katherine Noelle Perez**, Cincinnati, OH (US); **Jean Martin Campbell**, Cincinnati, OH (US); **Charles Morgan McKee, Jr.**, Cincinnati, OH (US)

See application file for complete search history.

(72) Inventors: **Kristen Tanya Boston**, Cincinnati, OH (US); **Jennifer Marie Merchant**, Cincinnati, OH (US); **Jennifer Rebecca Pohlman**, Cincinnati, OH (US); **Jason Michael Hargis**, Bellevue, KY (US); **Kari Jean Young**, Cincinnati, OH (US); **Katherine Noelle Perez**, Cincinnati, OH (US); **Jean Martin Campbell**, Cincinnati, OH (US); **Charles Morgan McKee, Jr.**, Cincinnati, OH (US)

(56) **References Cited**

U.S. PATENT DOCUMENTS

D76,288 S *	9/1928	Coppock	D5/63
D79,888 S *	11/1929	MacMillan	D9/432
D259,472 S *	6/1981	Grodin	D9/432
D587,111 S *	2/2009	Seol et al.	D9/432
D590,250 S *	4/2009	Seol	D9/432
D590,253 S *	4/2009	Seol et al.	D9/432
D598,759 S *	8/2009	Hilliard et al.	D9/516
D599,201 S *	9/2009	Seol et al.	D9/432
D603,701 S *	11/2009	Seol et al.	D9/432
D608,636 S *	1/2010	Seol	D9/432
D655,156 S *	3/2012	Schrimpf et al.	D9/432
D656,016 S *	3/2012	Hablutzel et al.	D9/434
D656,398 S *	3/2012	Gonzalez et al.	D9/434
D661,193 S *	6/2012	Merchant et al.	D9/516
D691,470 S	10/2013	Campbell et al.	
D691,476 S	10/2013	Campbell et al.	
D691,887 S	10/2013	Campbell et al.	
D692,299 S	10/2013	Campbell et al.	
D699,147 S *	2/2014	Fissell	D11/95
D703,532 S *	4/2014	Merchant et al.	D9/434
D704,059 S *	5/2014	Glass et al.	D9/457
D714,141 S *	9/2014	Robinson	D9/434
D723,915 S *	3/2015	Abel et al.	D9/434

* cited by examiner

Primary Examiner — Robert M Spear

Assistant Examiner — Darcey E Heflin

(74) *Attorney, Agent, or Firm* — Alexandra S. Anoff

(73) Assignee: **The Procter & Gamble Company**, Cincinnati, OH (US)

(**) Term: **14 Years**

(21) Appl. No.: **29/490,353**

(22) Filed: **May 9, 2014**

(51) **LOC (10) Cl.** **09-99**

(52) **U.S. Cl.**
USPC **D9/499**

(58) **Field of Classification Search**
USPC D5/20, 63; D9/414, 415, 419, 432, 434,
D9/457, 500, 502-505, 516, 549, 552, 558,
D9/561, 571; D11/95, 99; D14/485, 488,
D14/489; D19/1, 27, 28; 206/557, 775, 776;
215/379, 381, 382; 220/660, 669, 675;
229/87.08, 123.1, 123.3, 221

(57) **CLAIM**

The ornamental design for a container with surface ornamentation, as shown and described.

DESCRIPTION

The present application file contains at least one drawing executed in color. Copies of this patent or patent application publication with color drawing(s) will be provided by the Office upon request and payment of the necessary fee.



FIG. 1 is a perspective view of a container with surface ornamentation embodying our new design;
FIG. 2 is a front view thereof;
FIG. 3 is a right side view thereof;
FIG. 4 is a rear view thereof;
FIG. 5 is a left side view thereof;
FIG. 6 is a top view thereof;
FIG. 7 is a bottom view thereof;
FIG. 8 is a perspective view of a second embodiment of a container with surface ornamentation embodying our new design;
FIG. 9 is a front view thereof;
FIG. 10 is a right side view thereof;
FIG. 11 is rear view thereof;
FIG. 12 is a left side view thereof;
FIG. 13 is a top view thereof;
FIG. 14 is a bottom view thereof;
FIG. 15 is a perspective view of a third embodiment of a container with surface ornamentation embodying our new design;
FIG. 16 is a front view thereof;
FIG. 17 is a right side view thereof;
FIG. 18 is rear view thereof;
FIG. 19 is a left side view thereof;

FIG. 20 is a top view thereof;
FIG. 21 is a bottom view thereof;
FIG. 22 is a perspective view of a fourth embodiment of a container with surface ornamentation embodying our new design;
FIG. 23 is a front view thereof;
FIG. 24 is a left side view thereof;
FIG. 25 is rear view thereof;
FIG. 26 is a right side view thereof;
FIG. 27 is a top view thereof;
FIG. 28 is a bottom view thereof;
FIG. 29 is a perspective view of a fifth embodiment of a container with surface ornamentation embodying our new design;
FIG. 30 is a front view thereof;
FIG. 31 is a left side view thereof;
FIG. 32 is rear view thereof;
FIG. 33 is a right side view thereof;
FIG. 34 is a top view thereof; and,
FIG. 35 is a bottom view thereof.
In the drawings, the broken lines depict environmental subject matter only that forms no part of the claim.

**1 Claim, 17 Drawing Sheets
(6 of 17 Drawing Sheet(s) Filed in Color)**

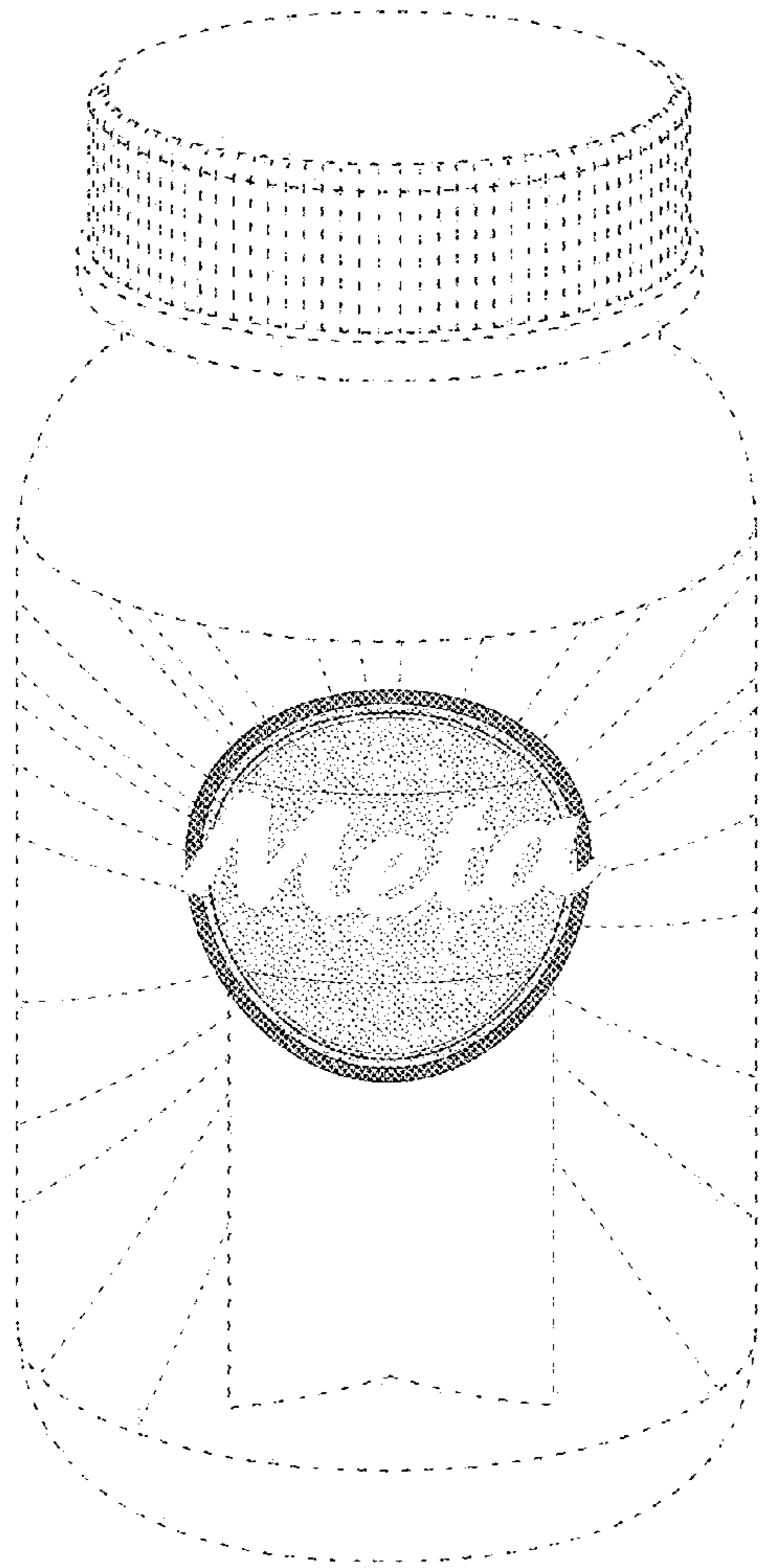


Fig. 1

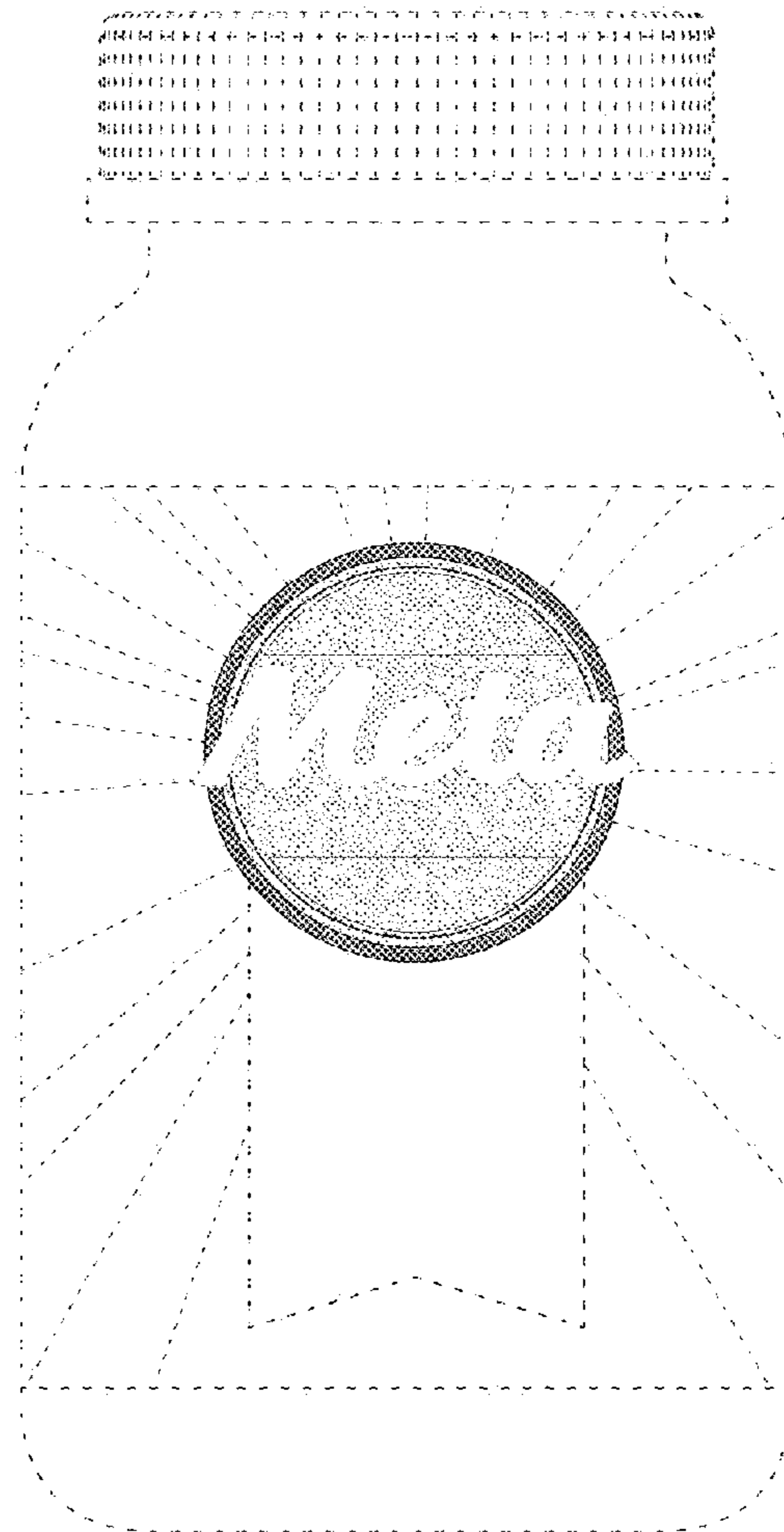


Fig. 2

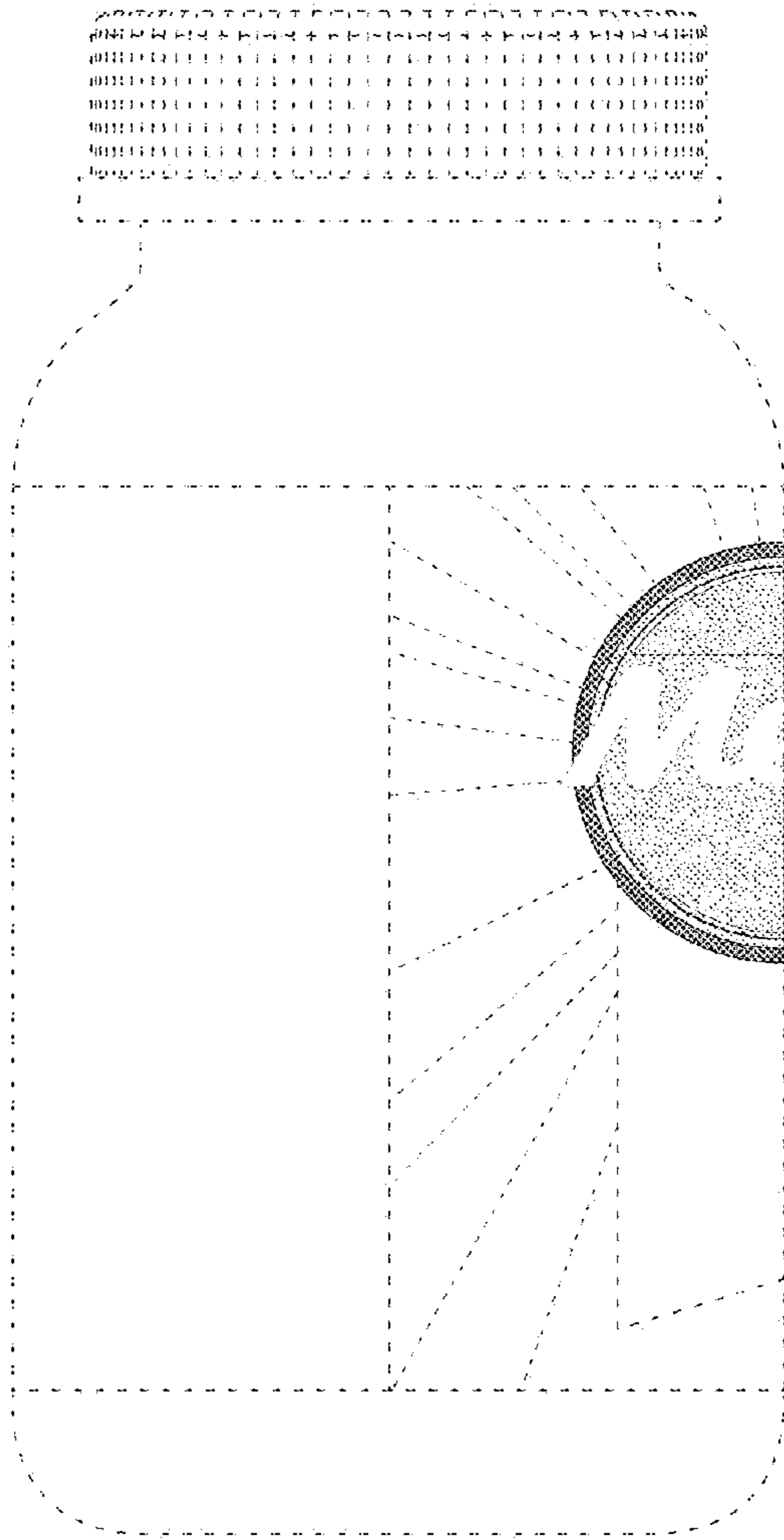


Fig. 3

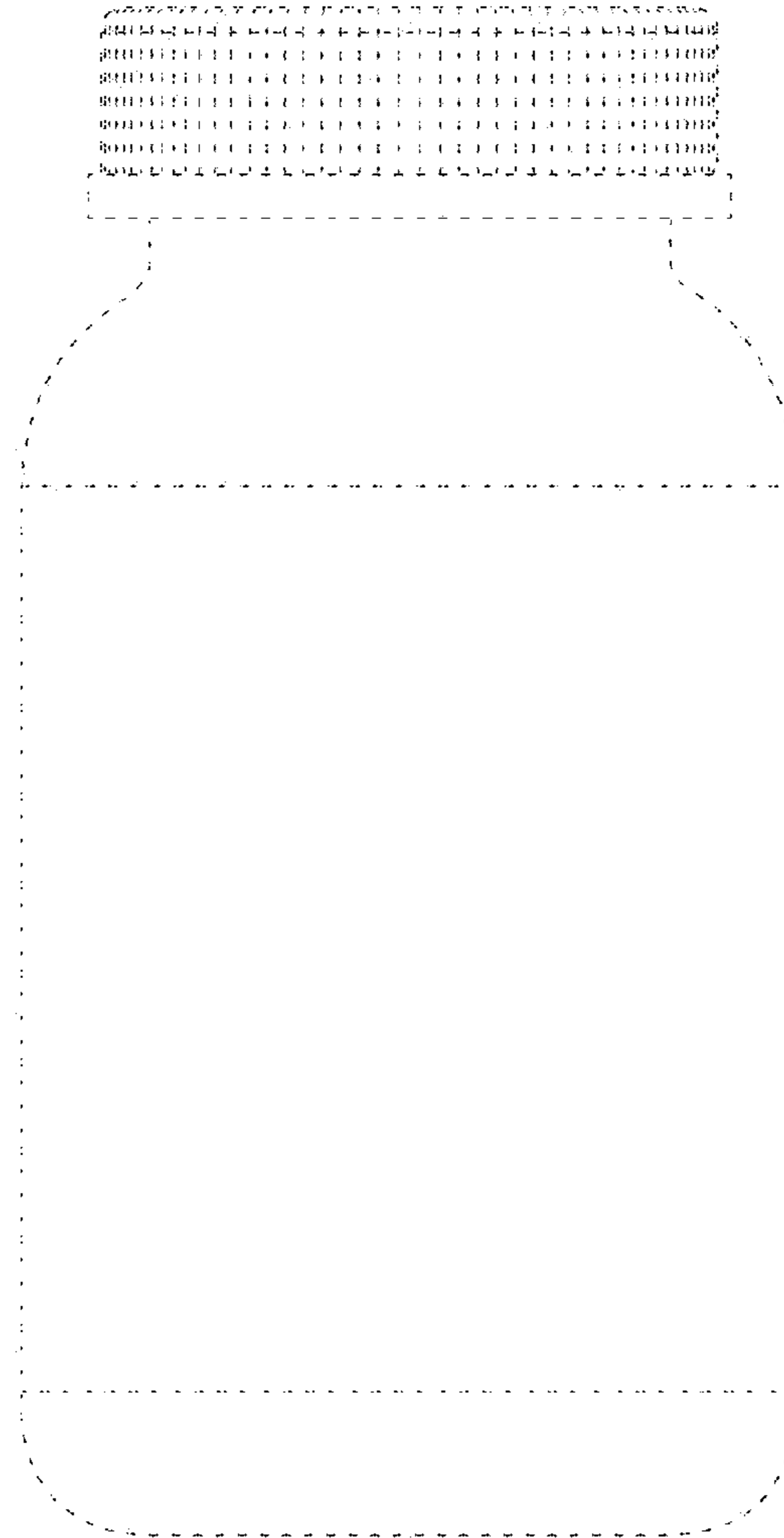


Fig. 4

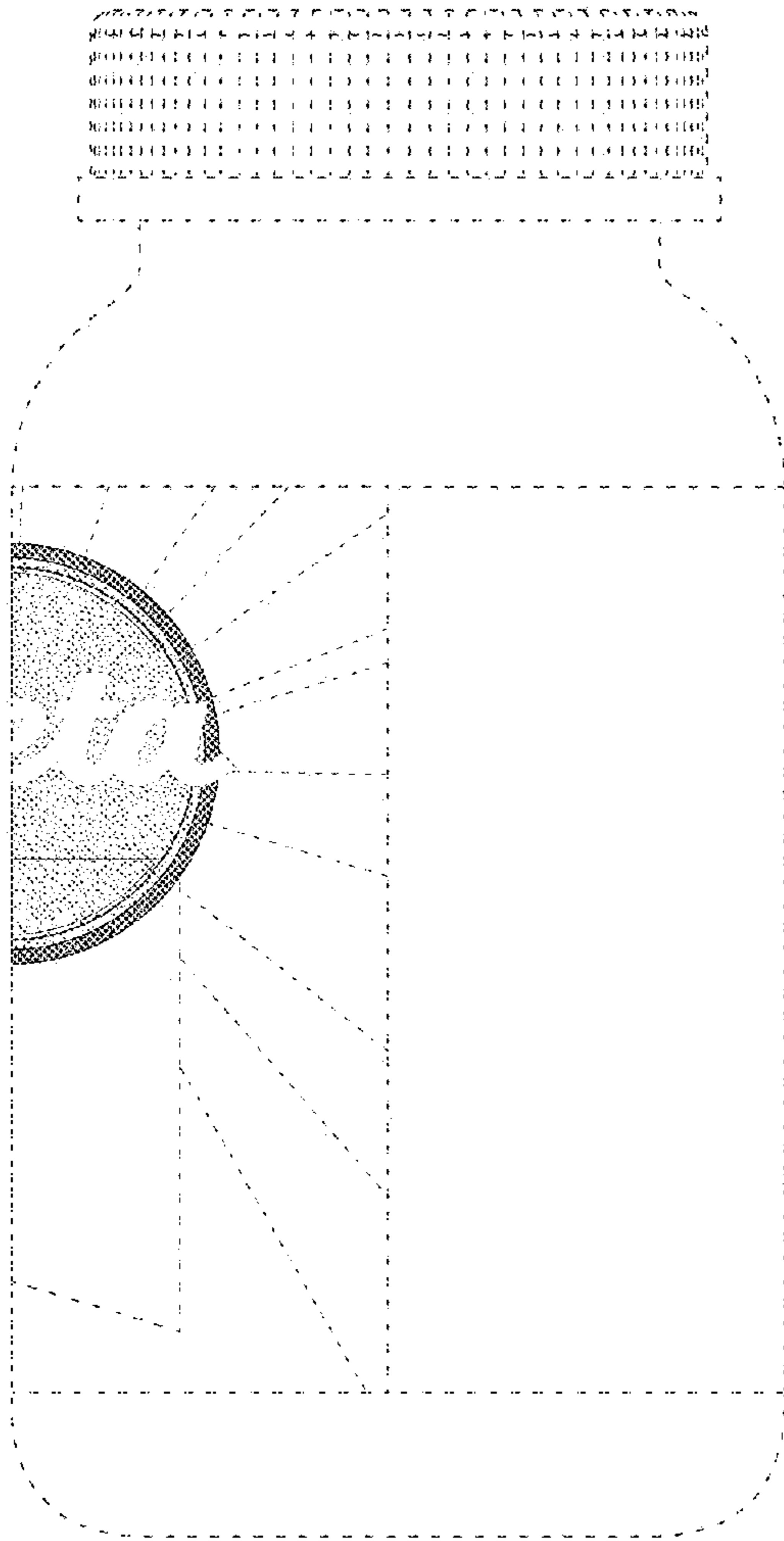


Fig. 5

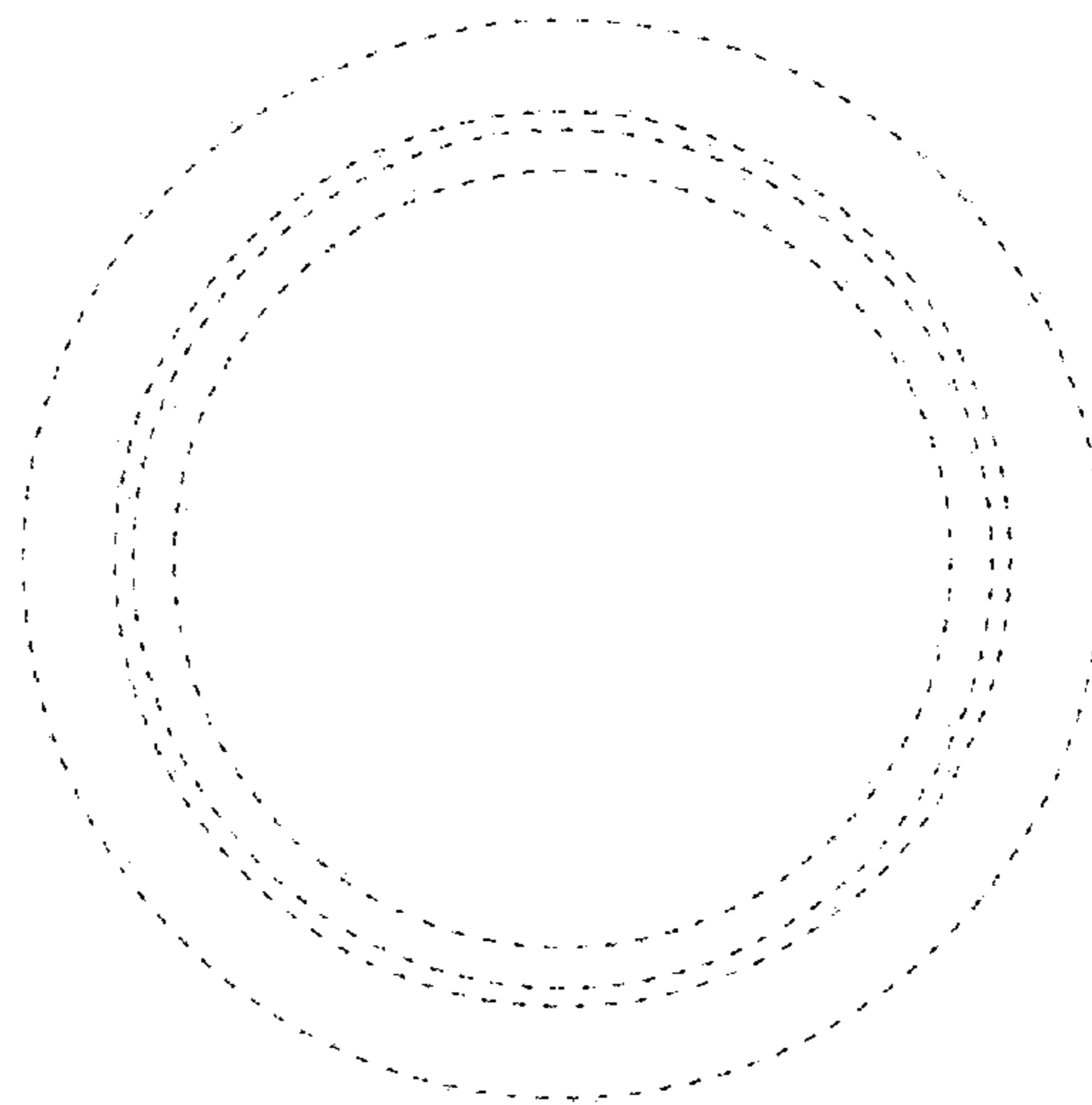


Fig. 6

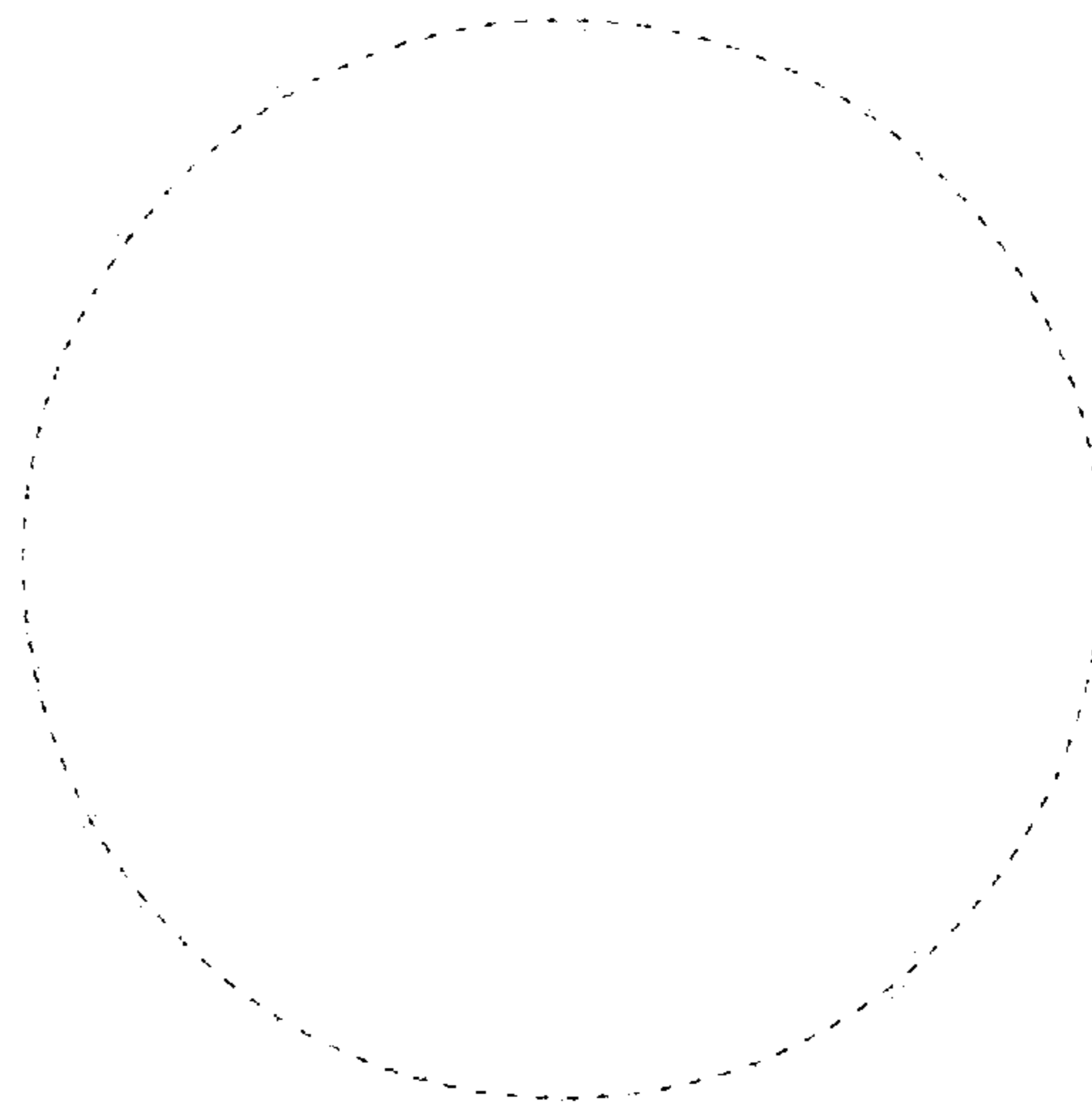


Fig. 7

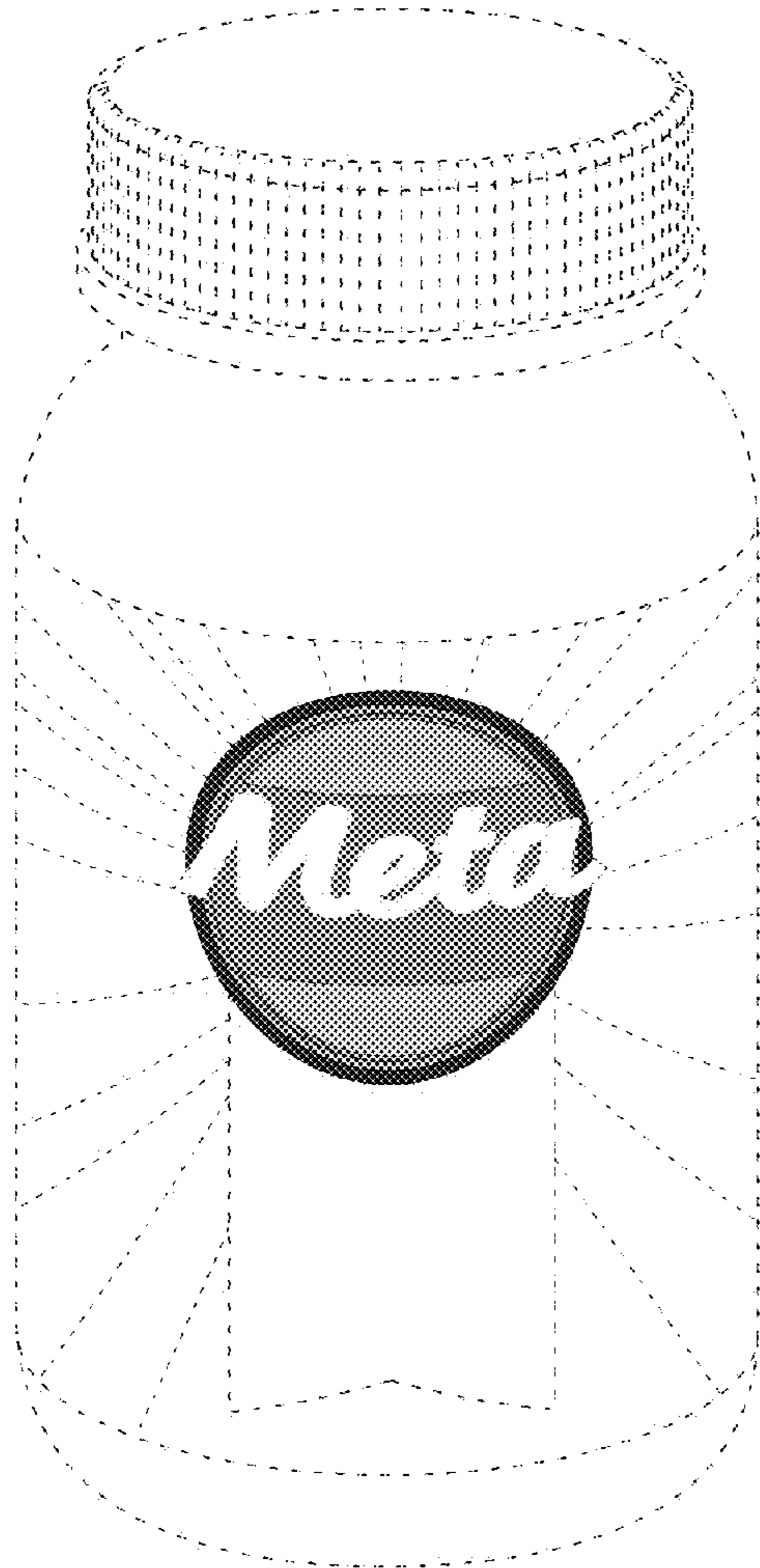


Fig. 8

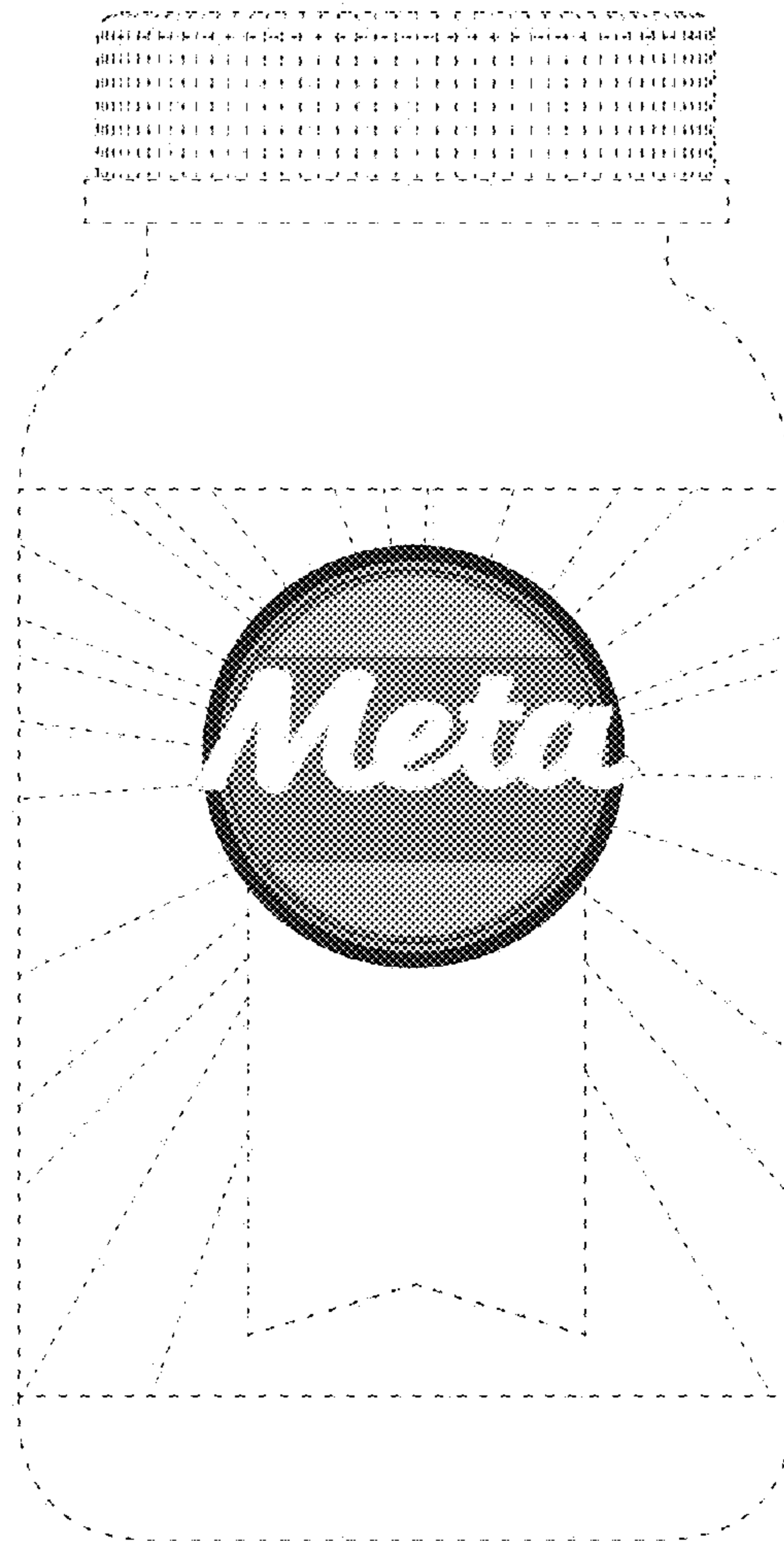


Fig. 9

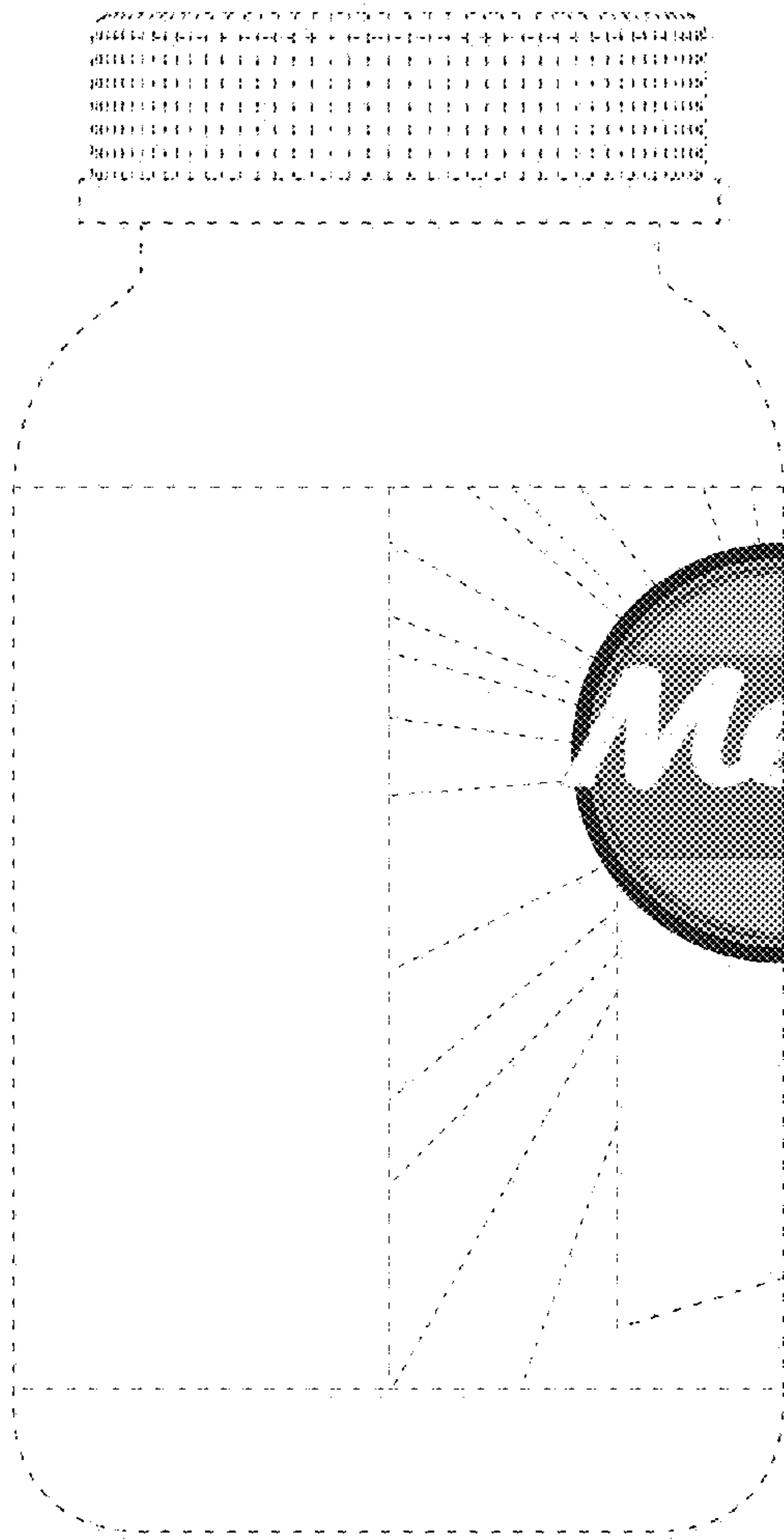


Fig. 10

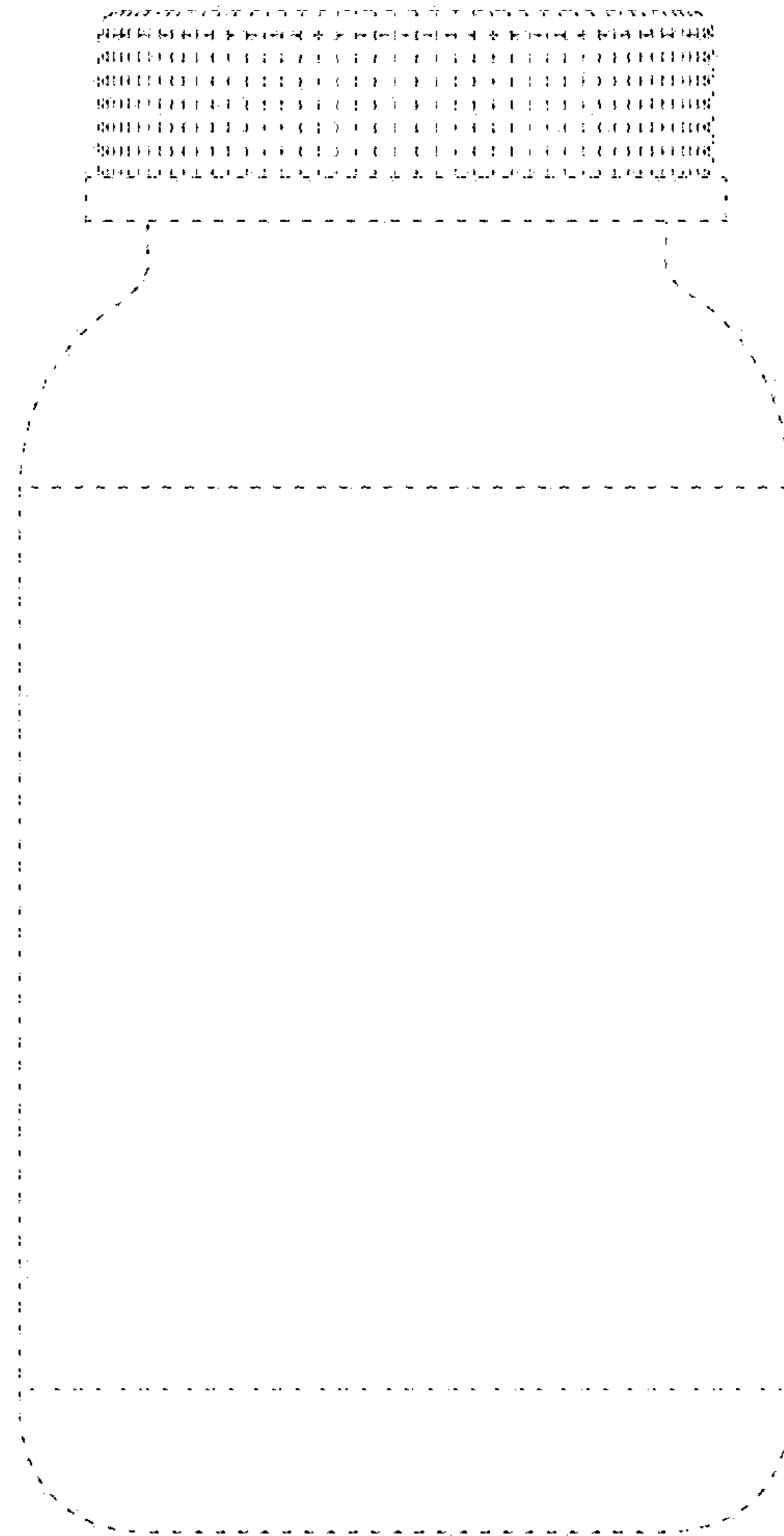


Fig. 11

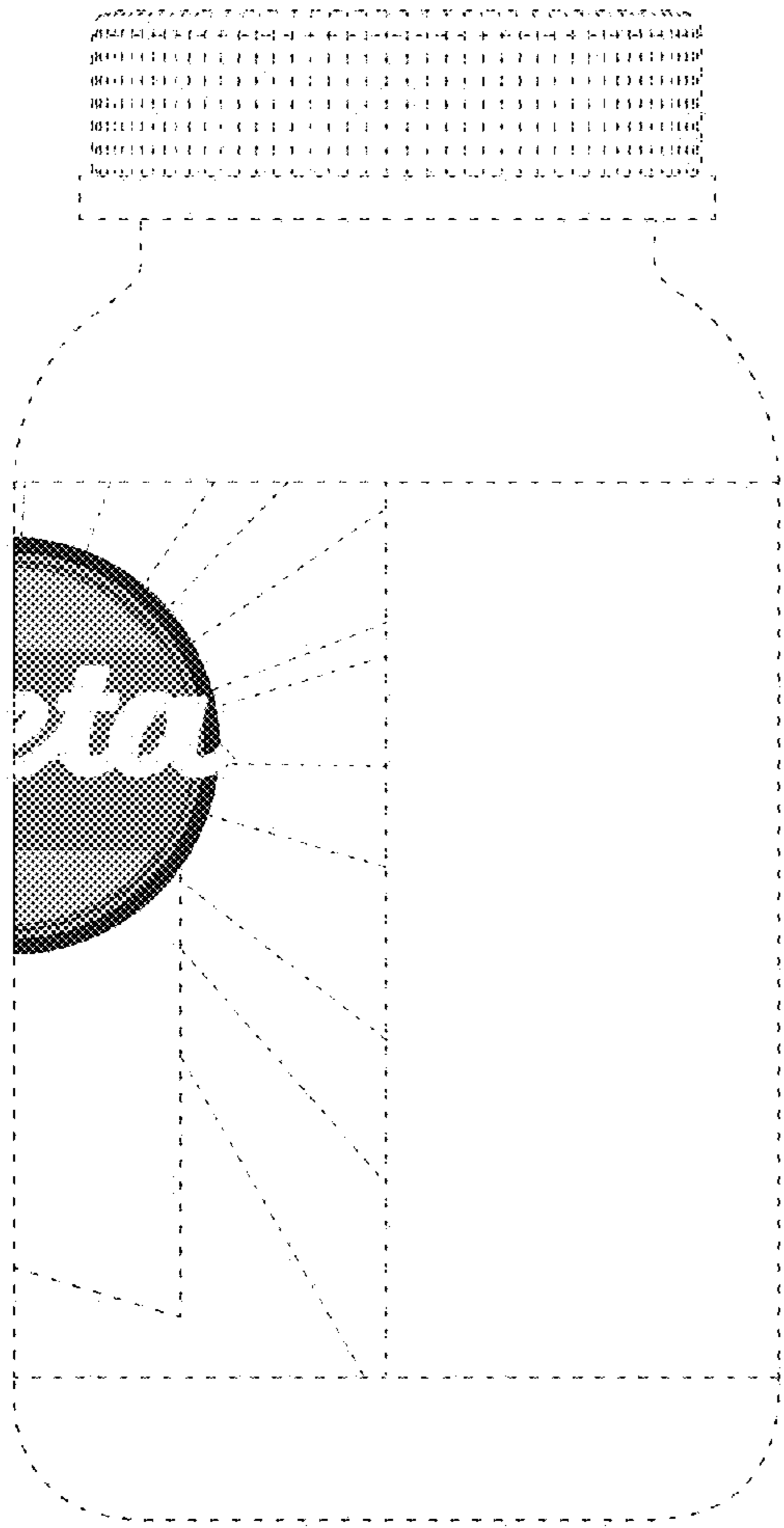


Fig. 12

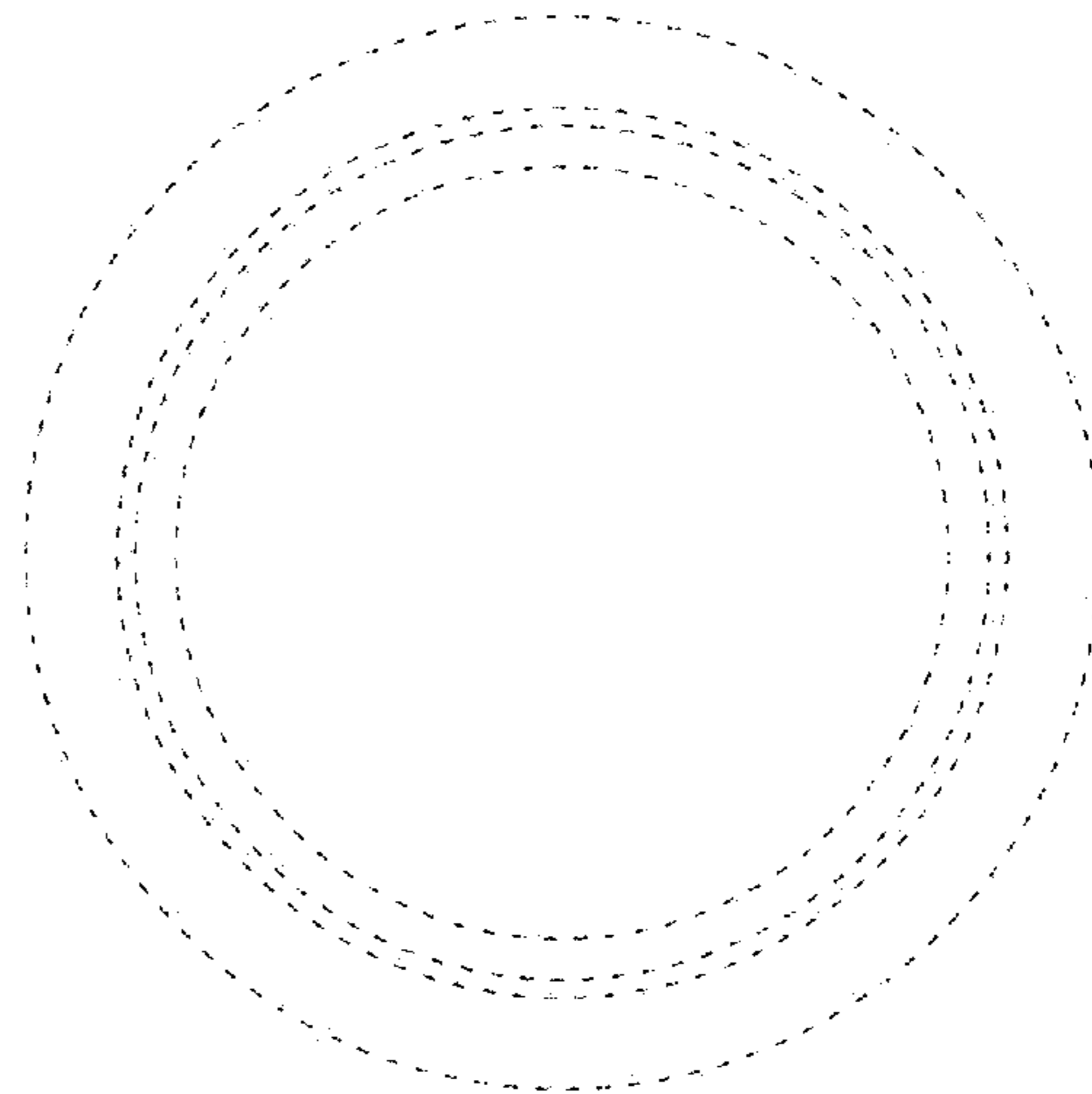


Fig. 13

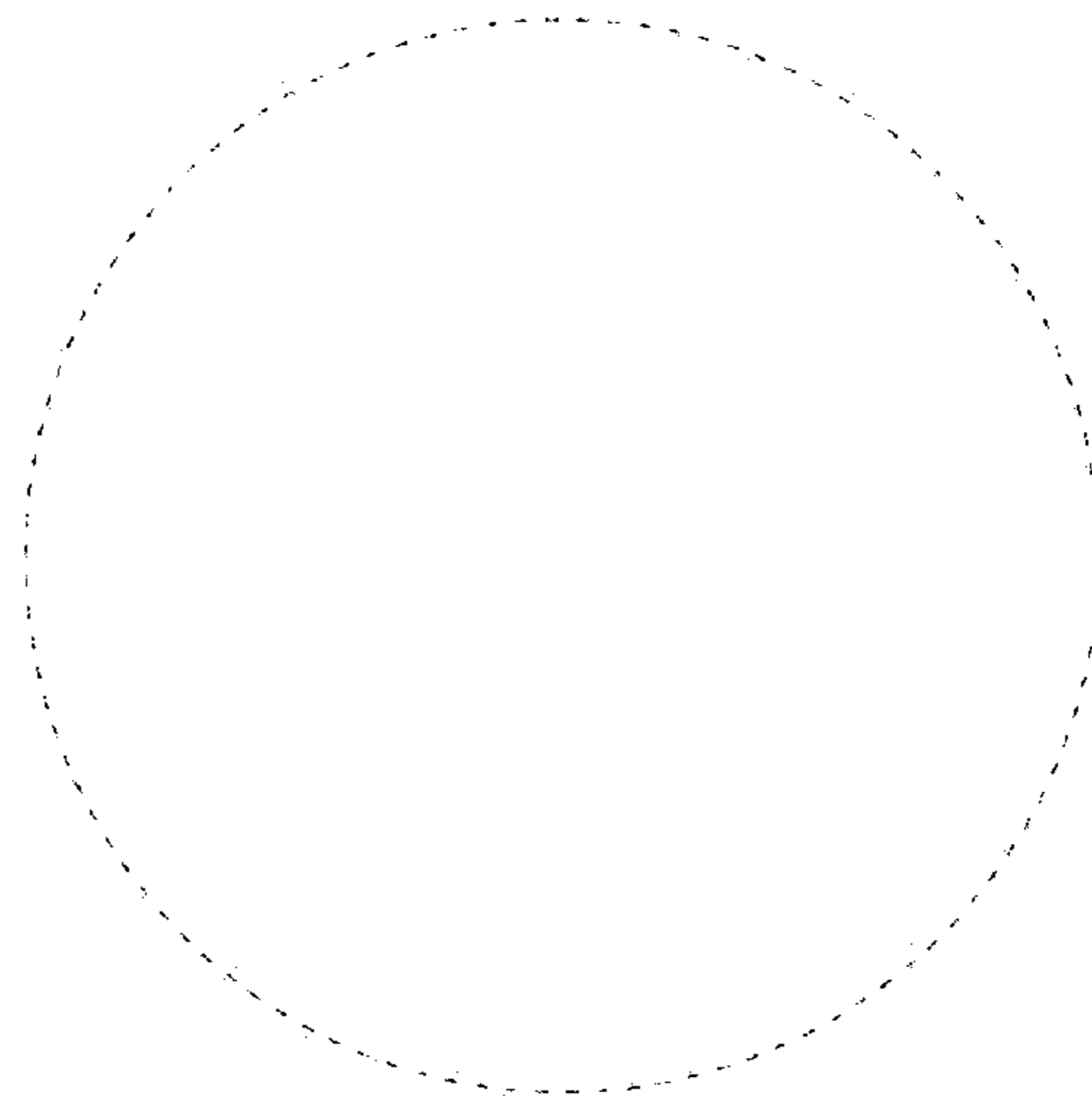


Fig. 14

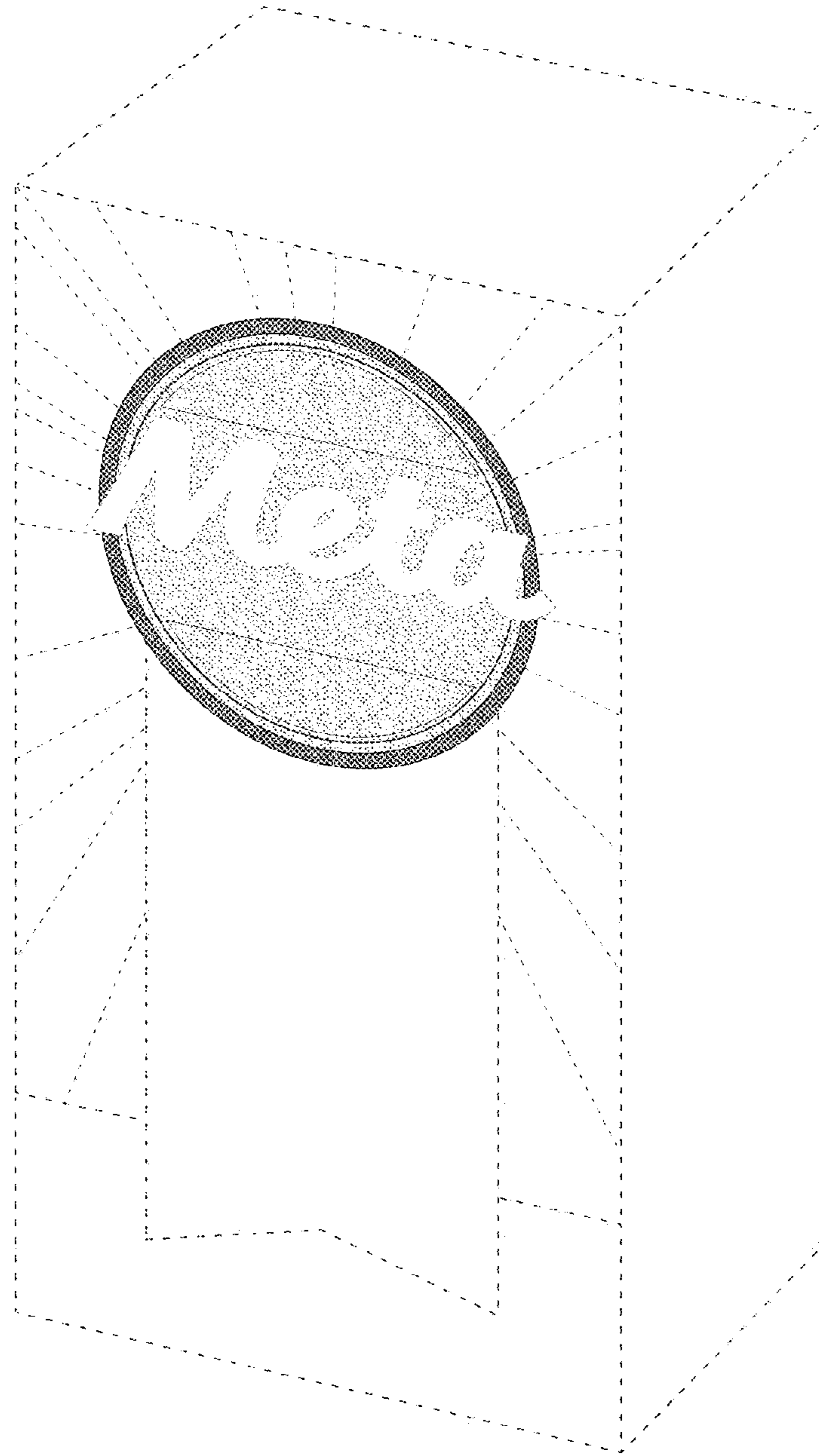


Fig. 15

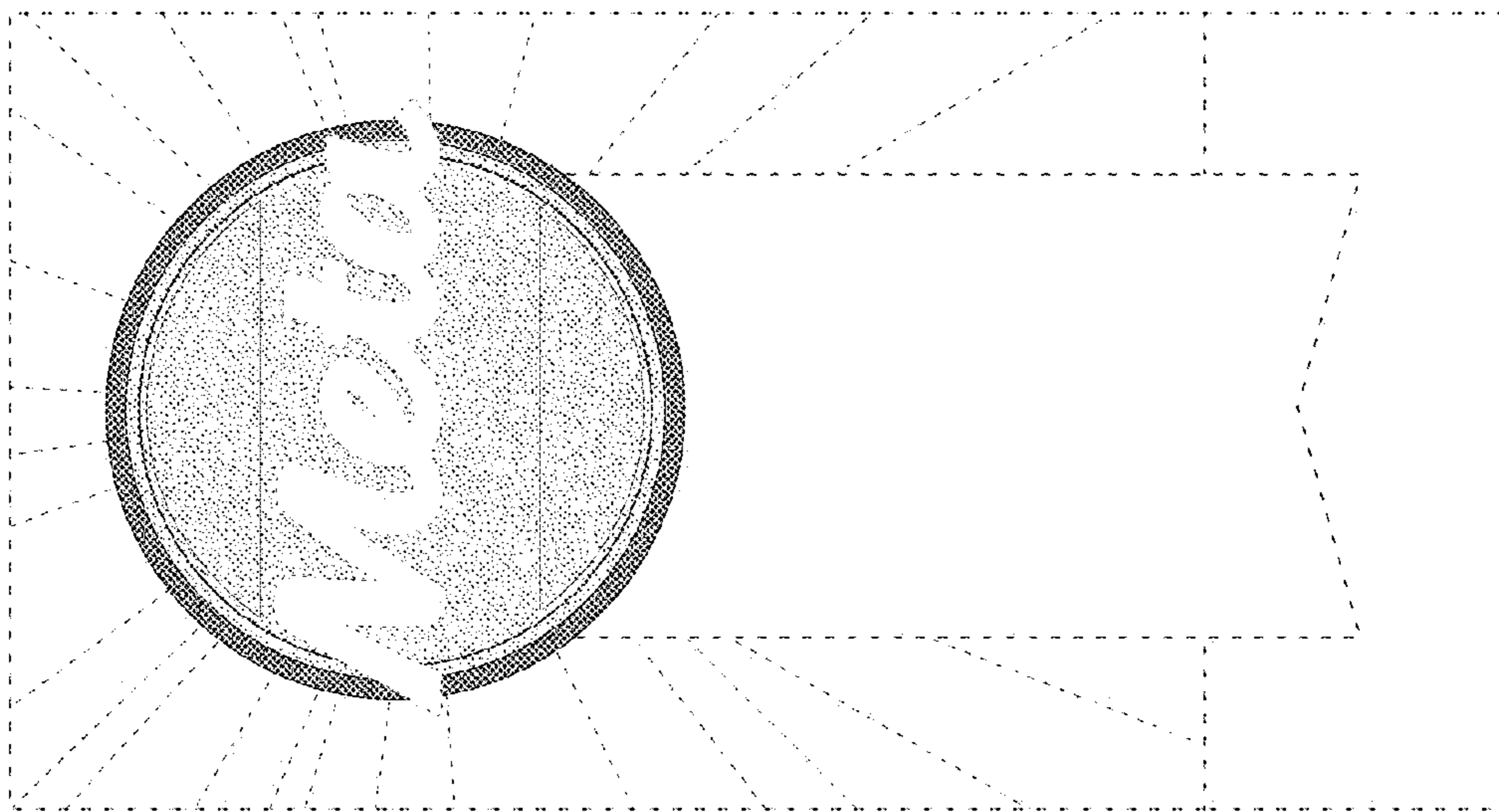


Fig. 16



Fig. 17

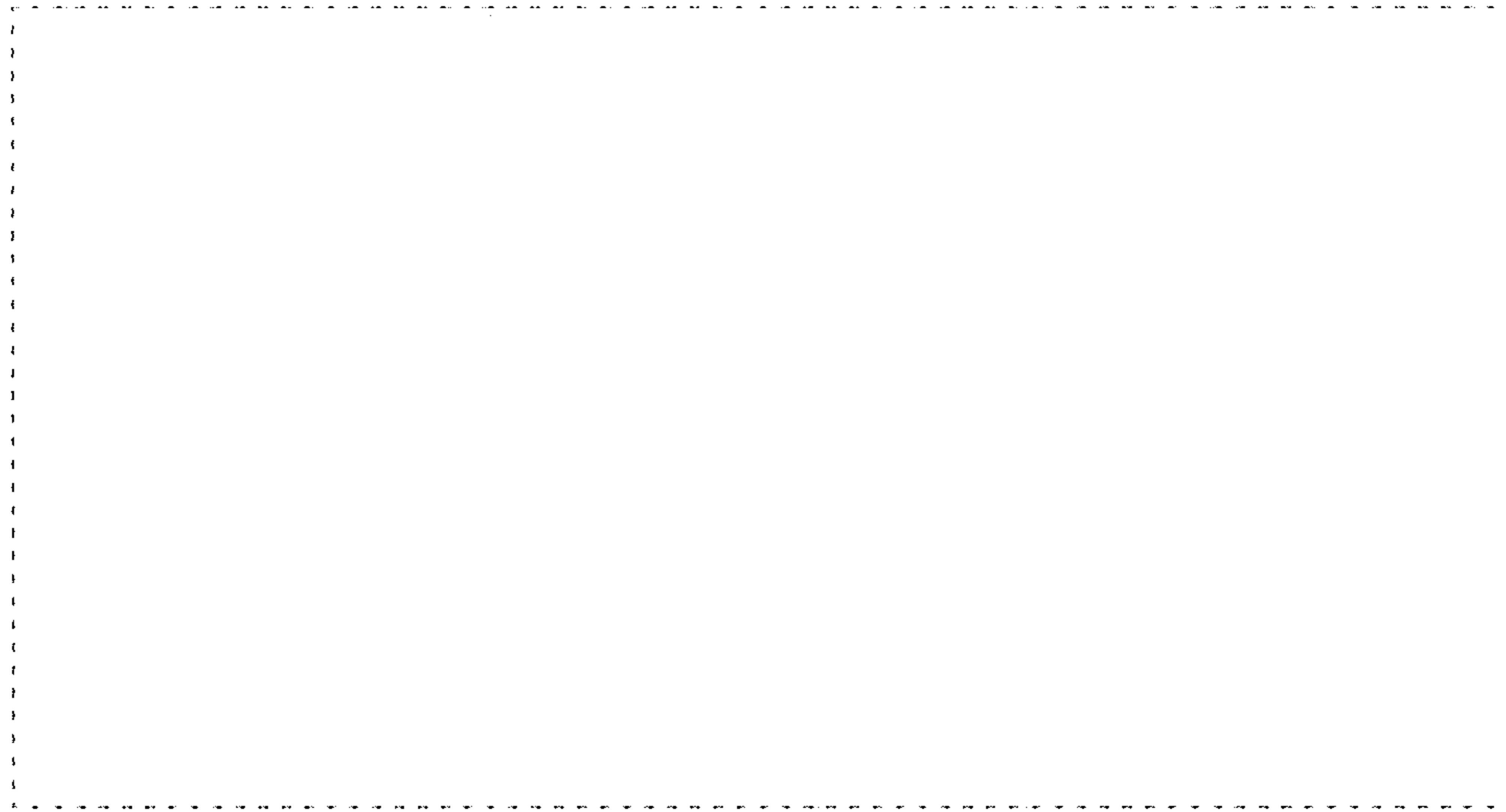


Fig. 18

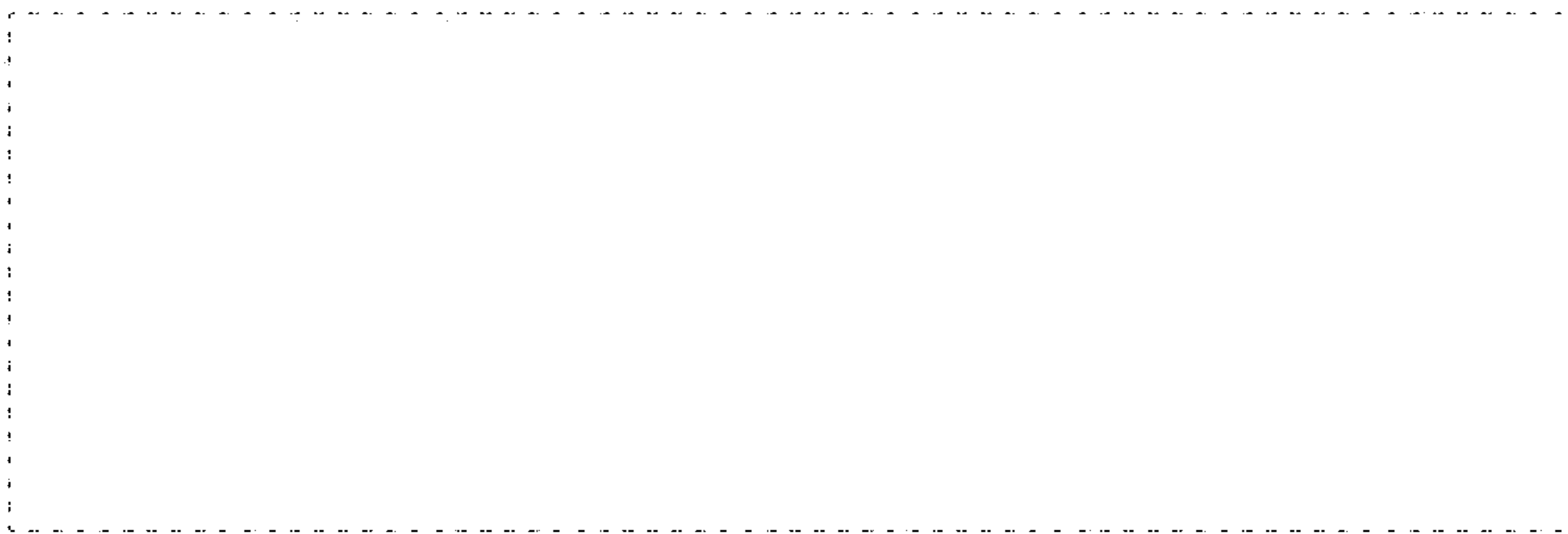


Fig. 19

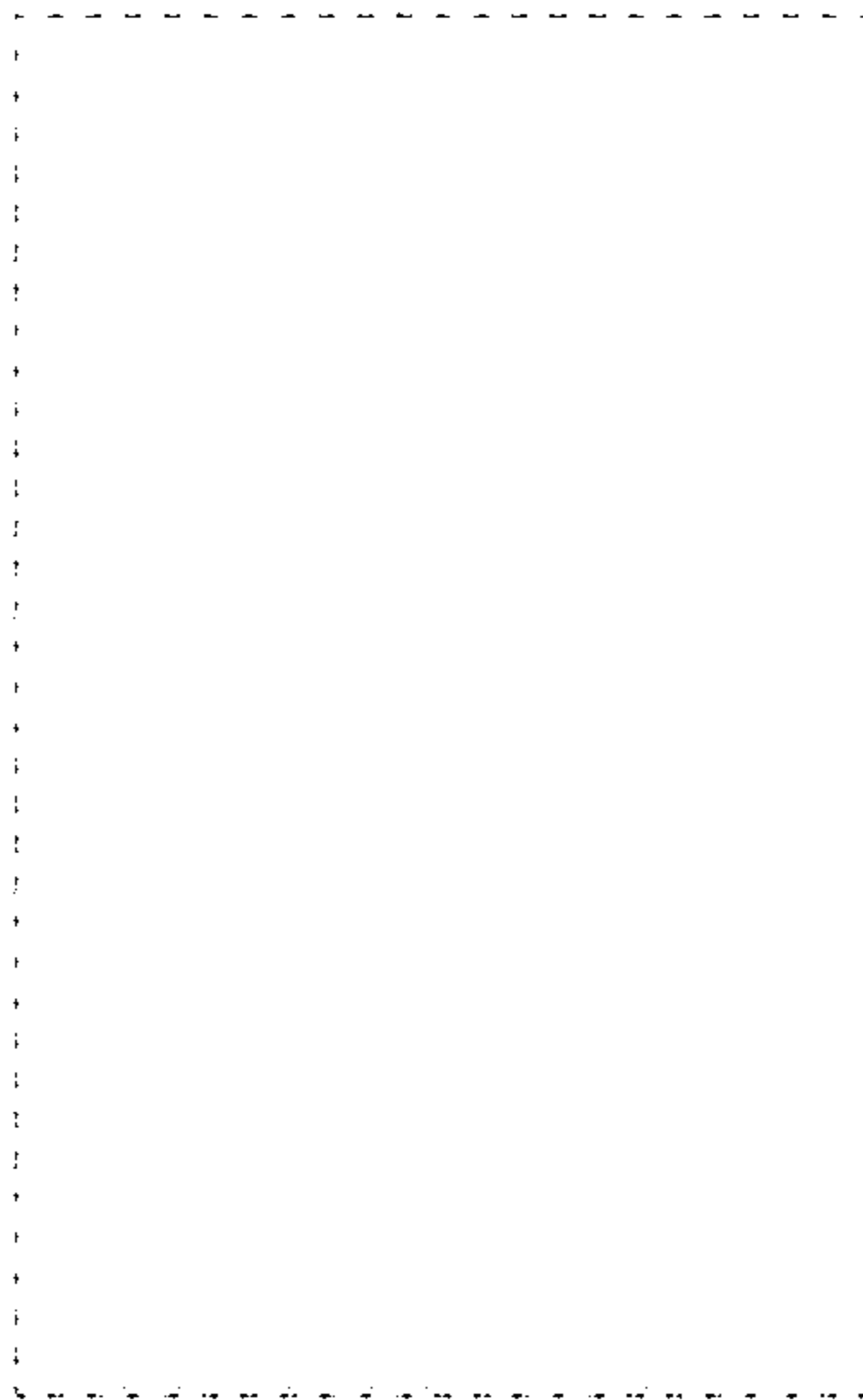


Fig. 20

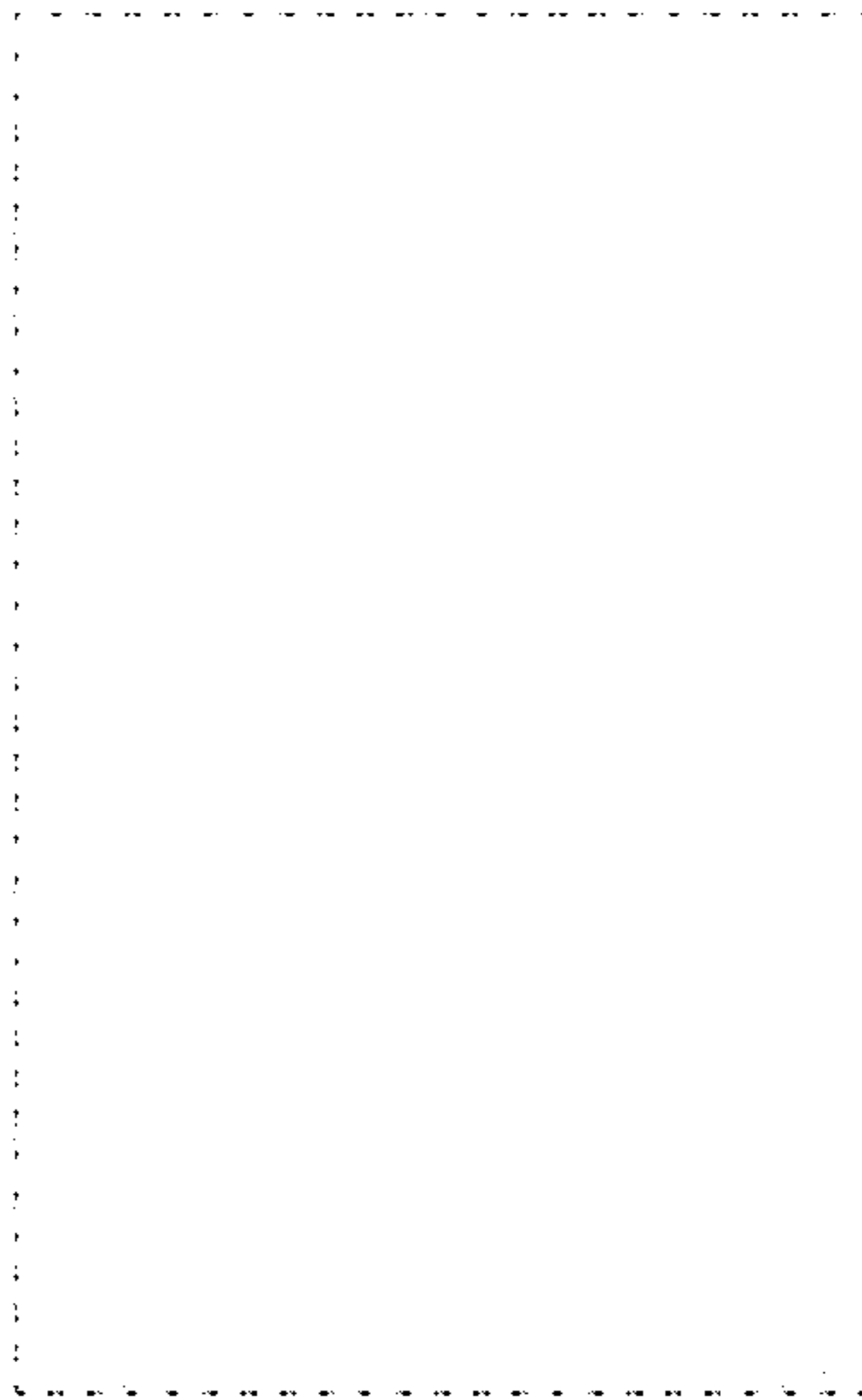


Fig. 21

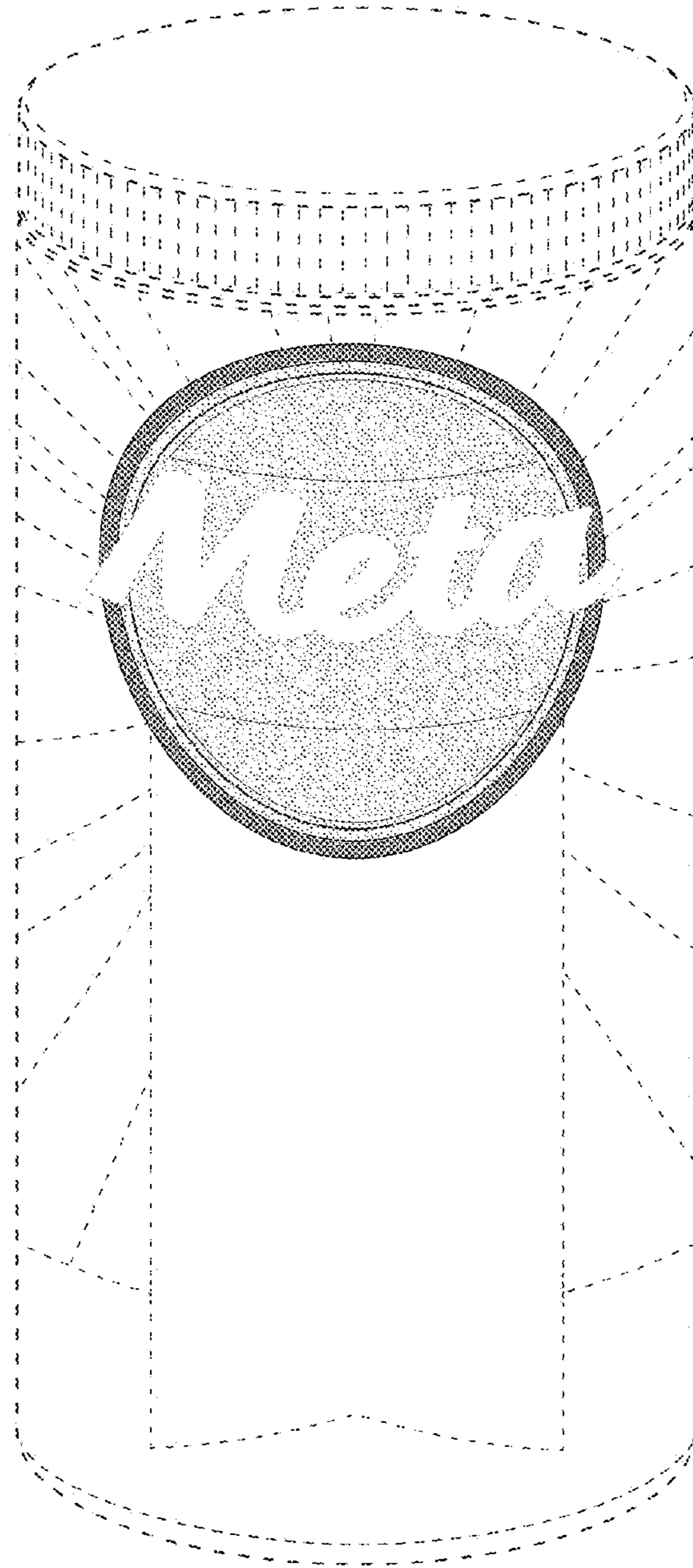


Fig. 22

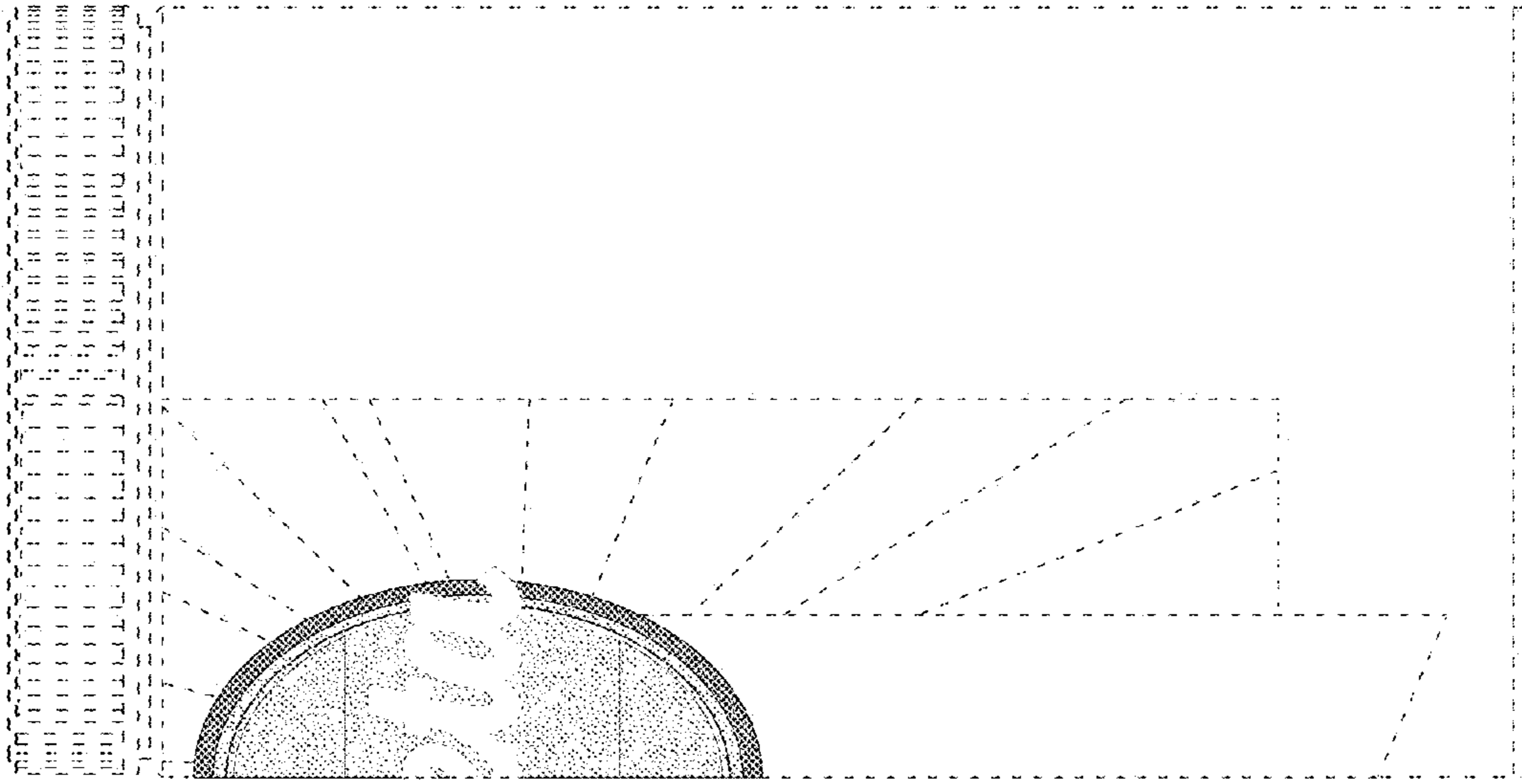


Fig. 24

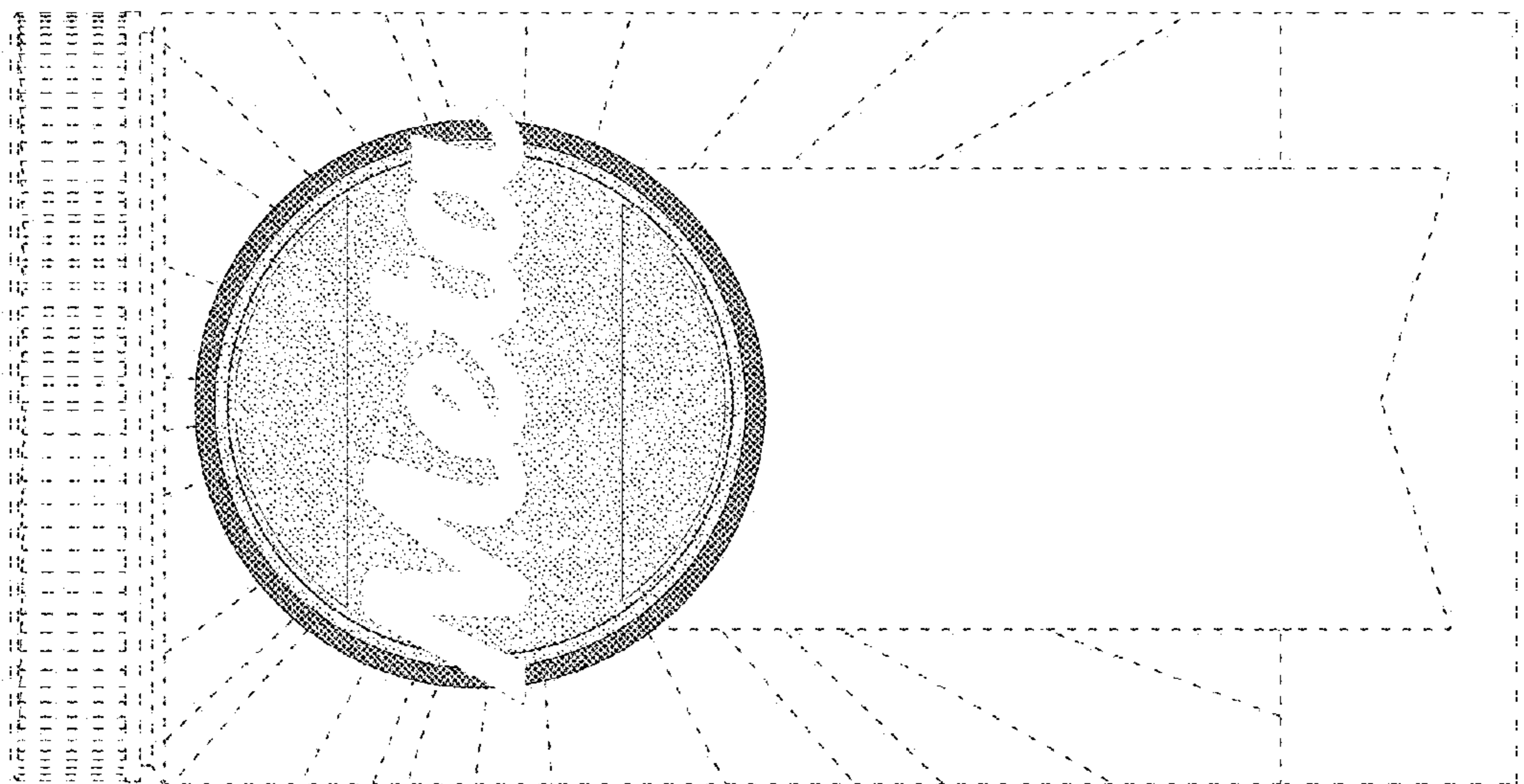


Fig. 23

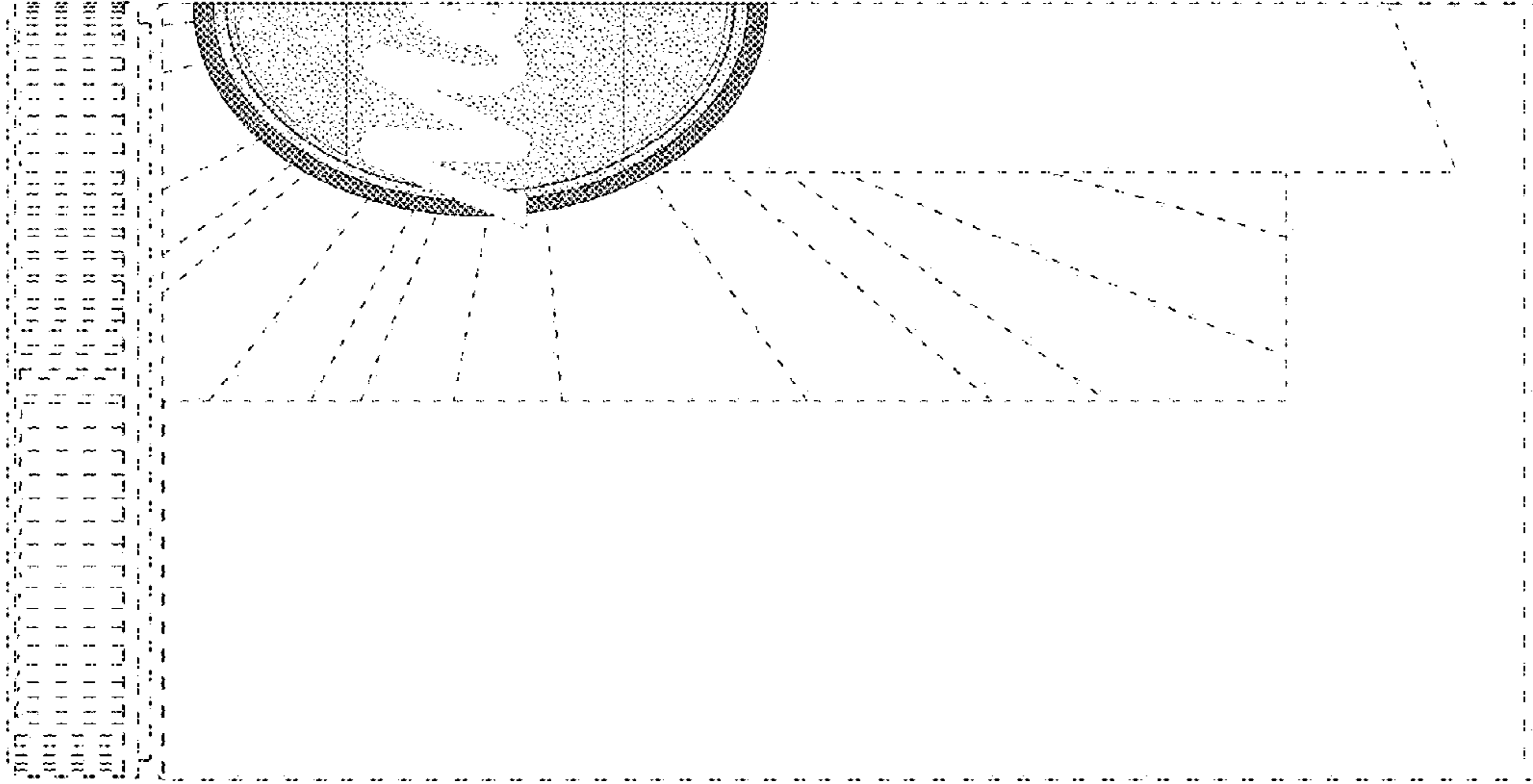


Fig. 26



Fig. 25

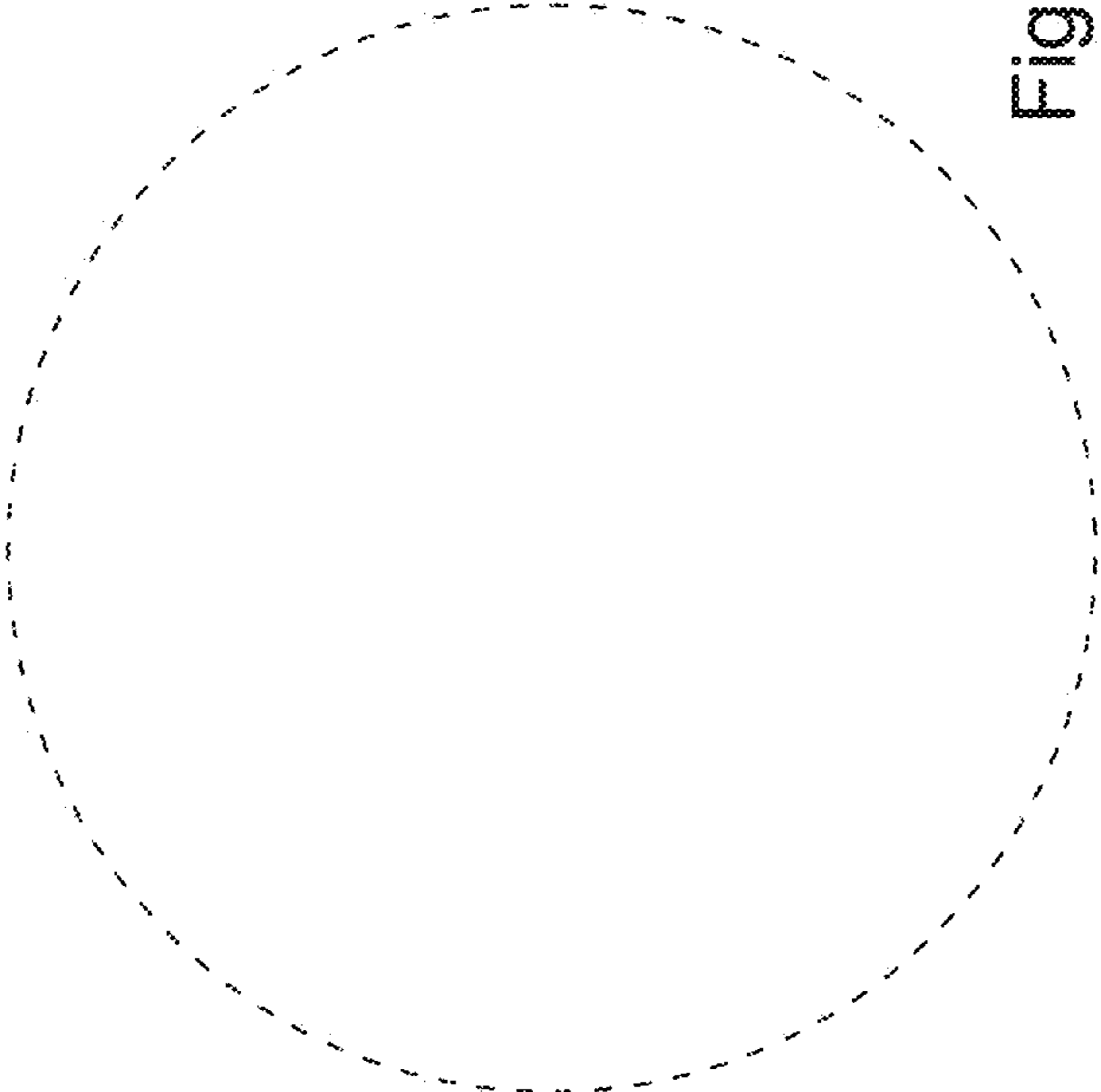


Fig. 28

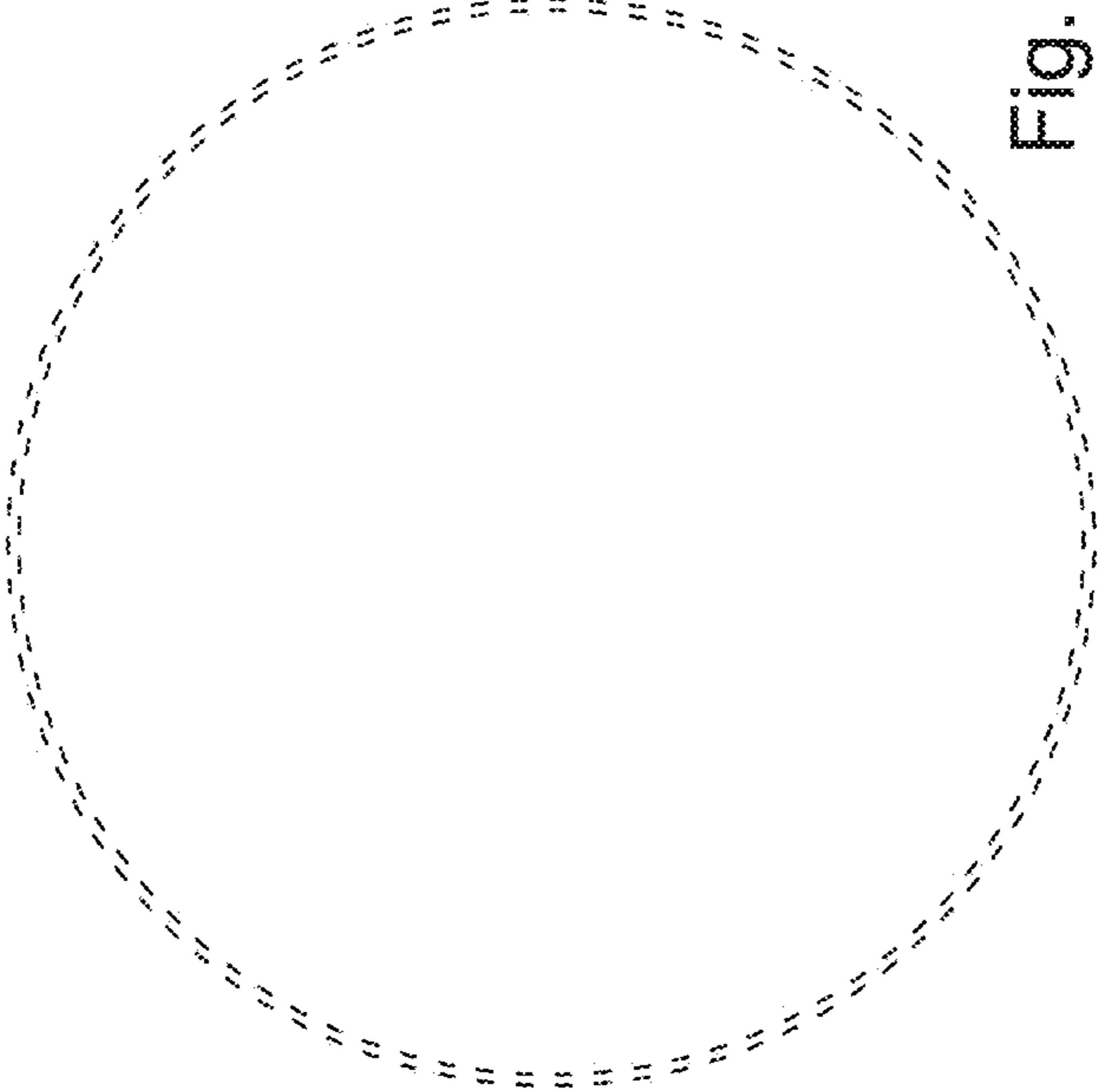


Fig. 27

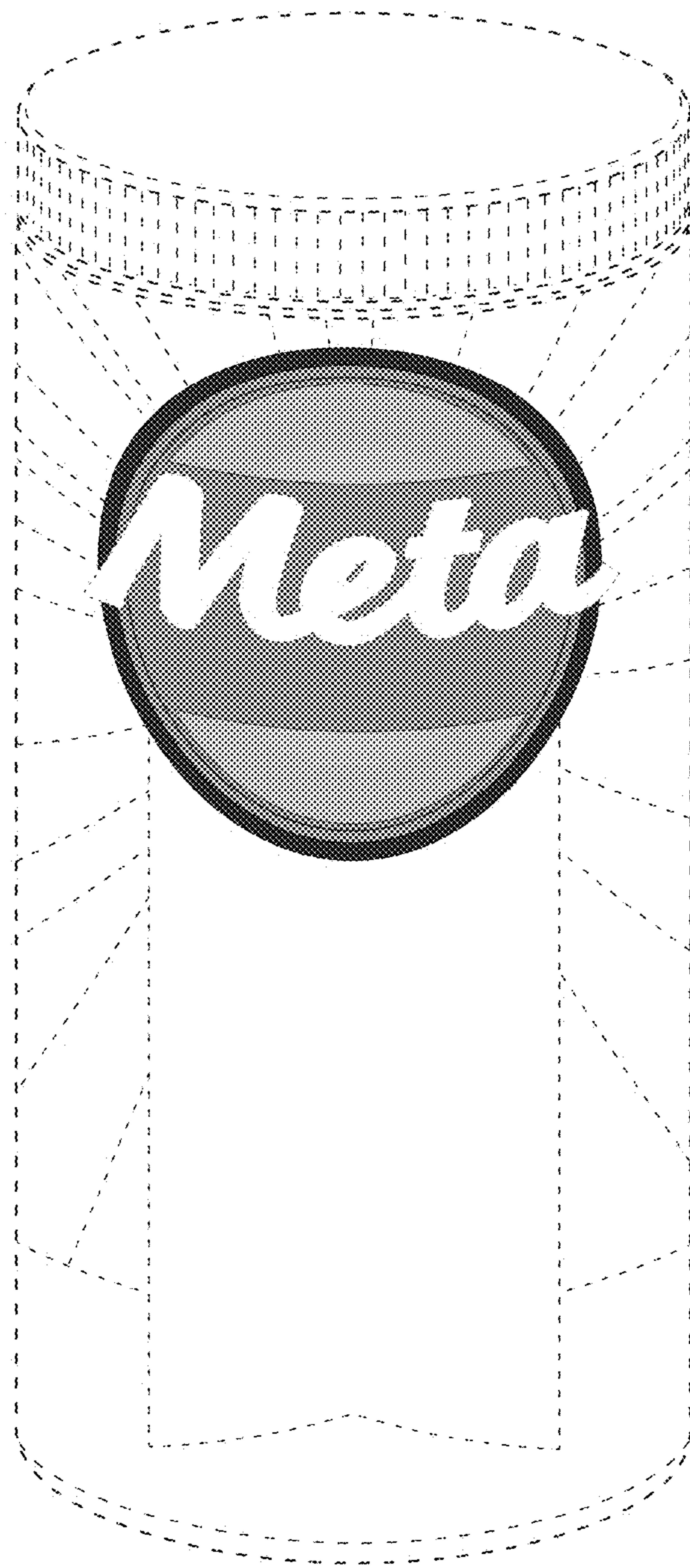


Fig. 29

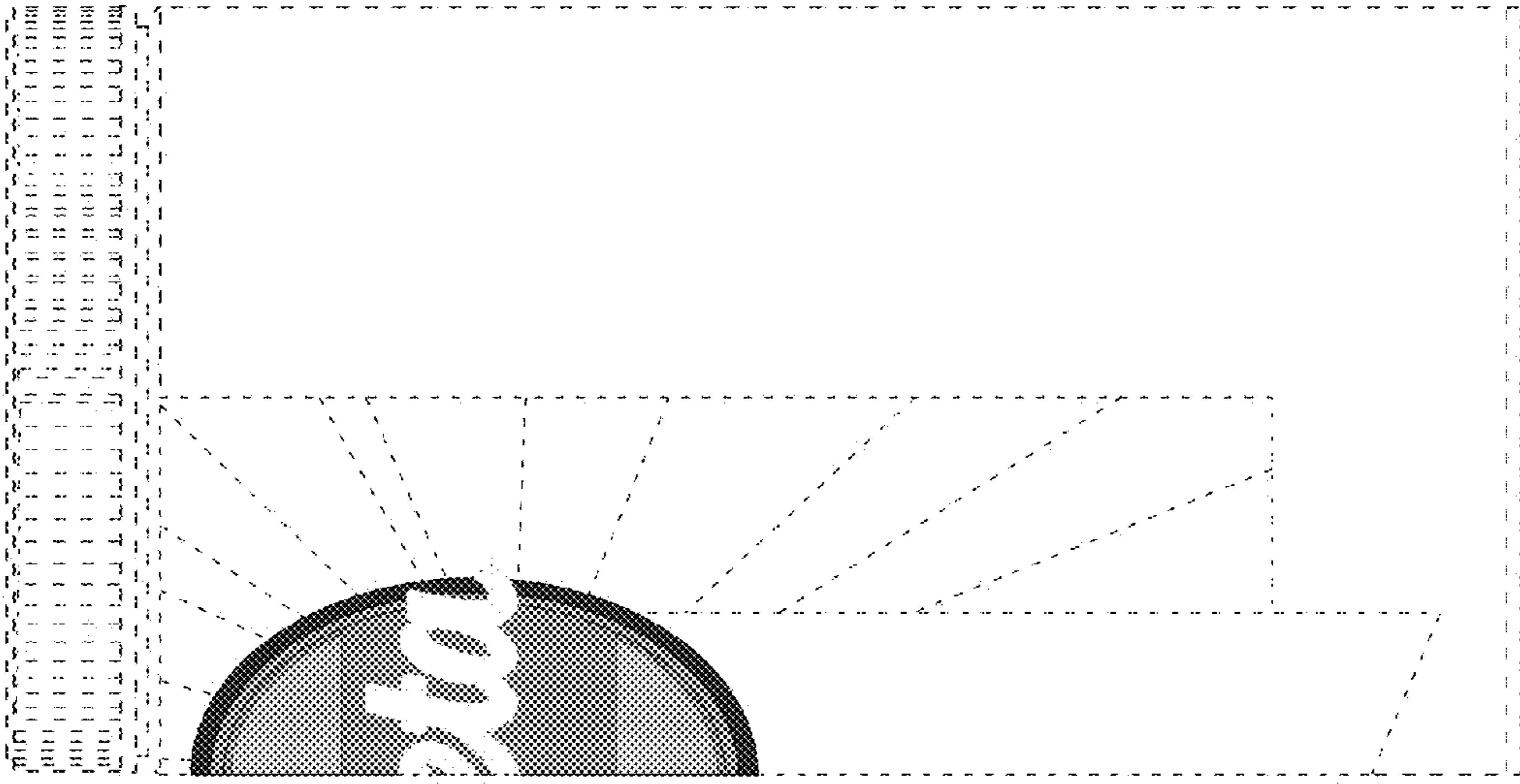


Fig. 31

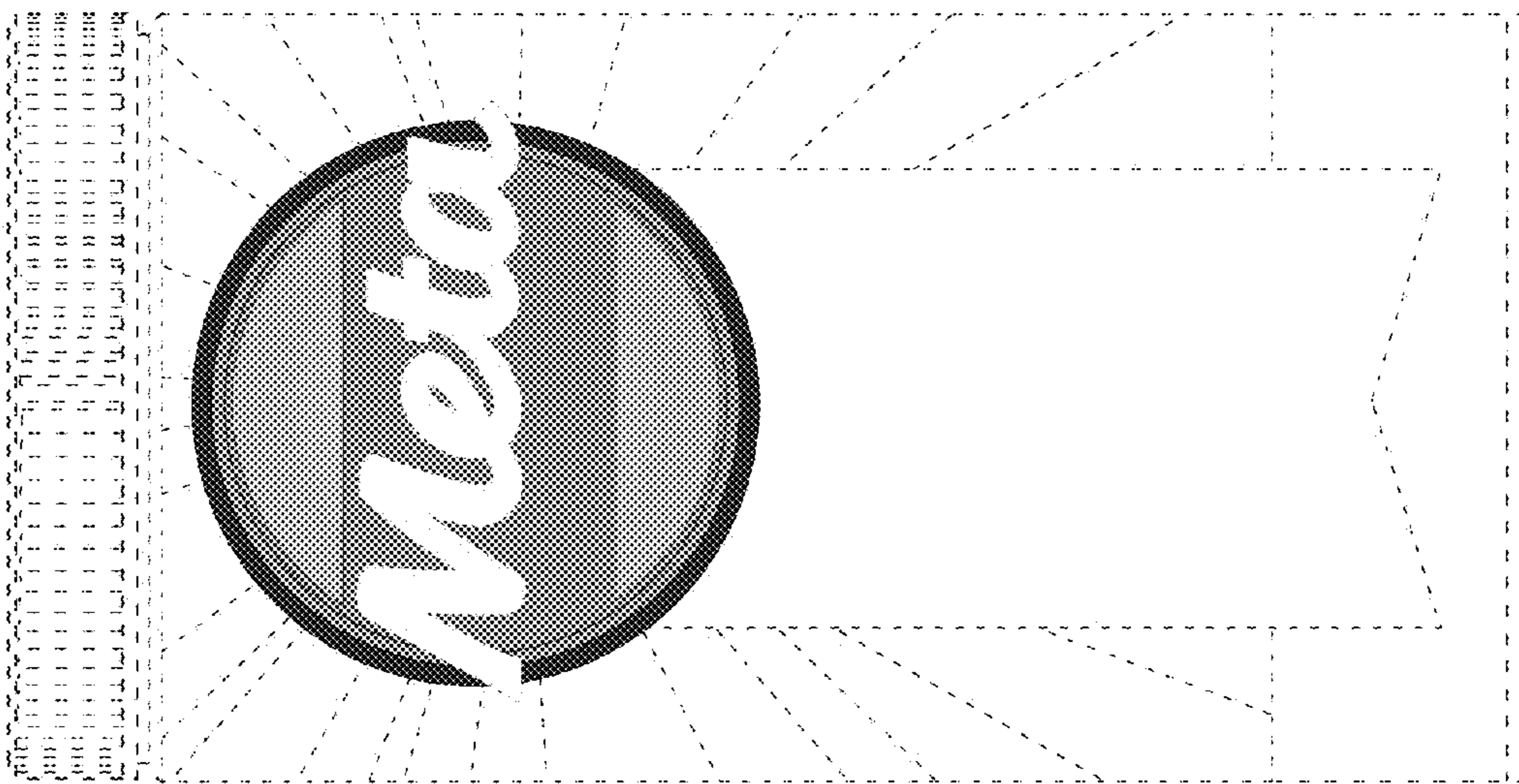


Fig. 30

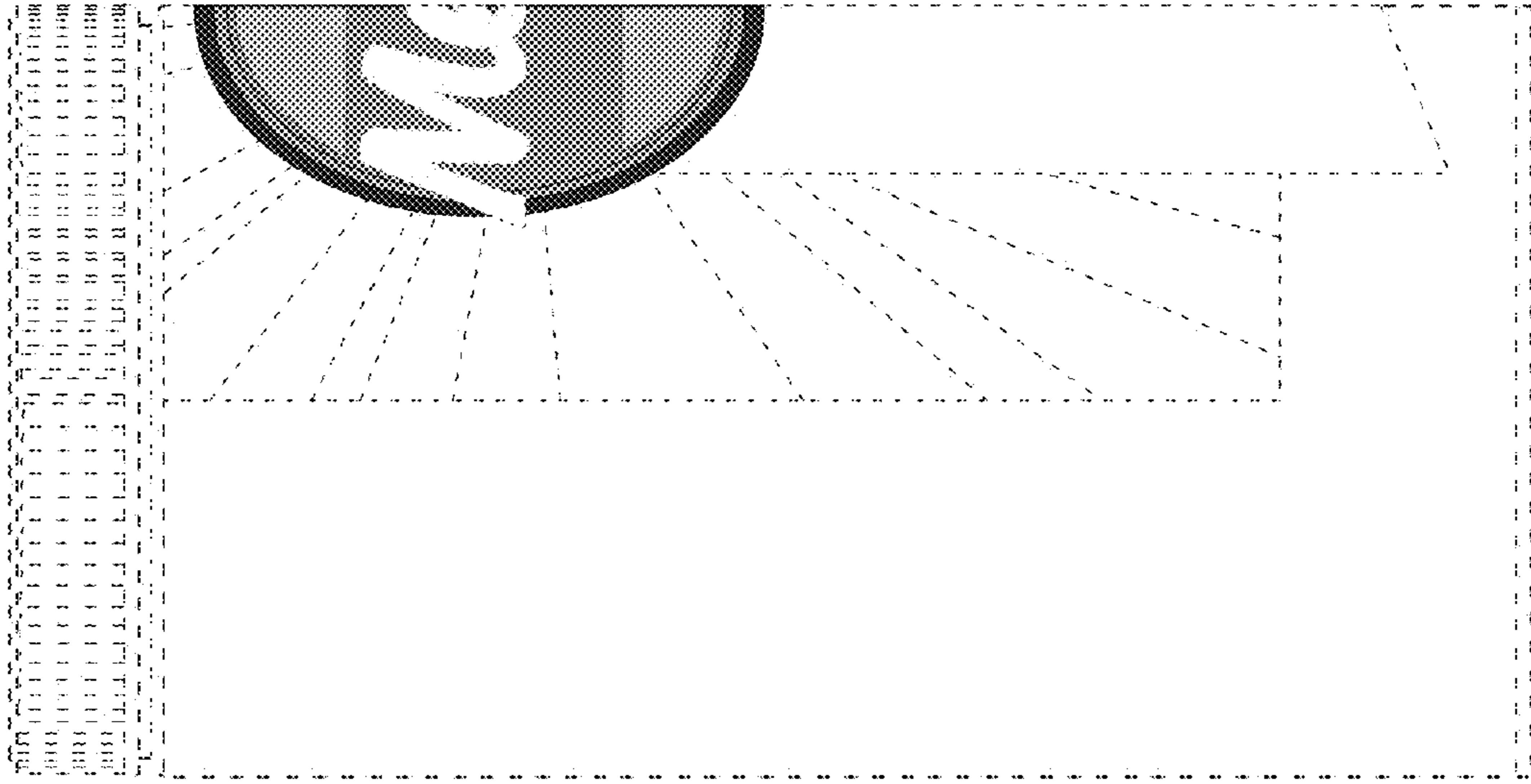


Fig. 33



Fig. 32

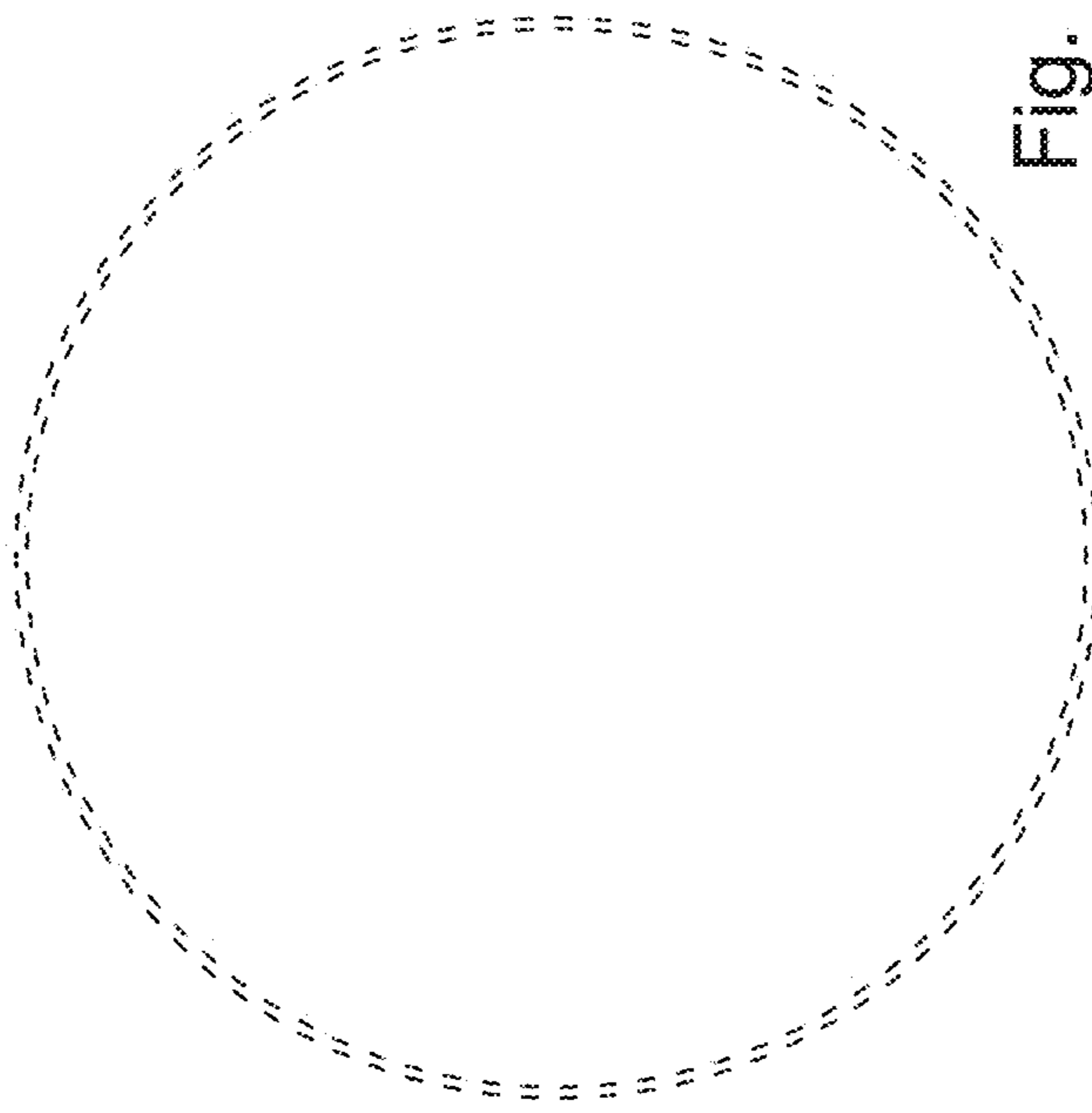


Fig. 34

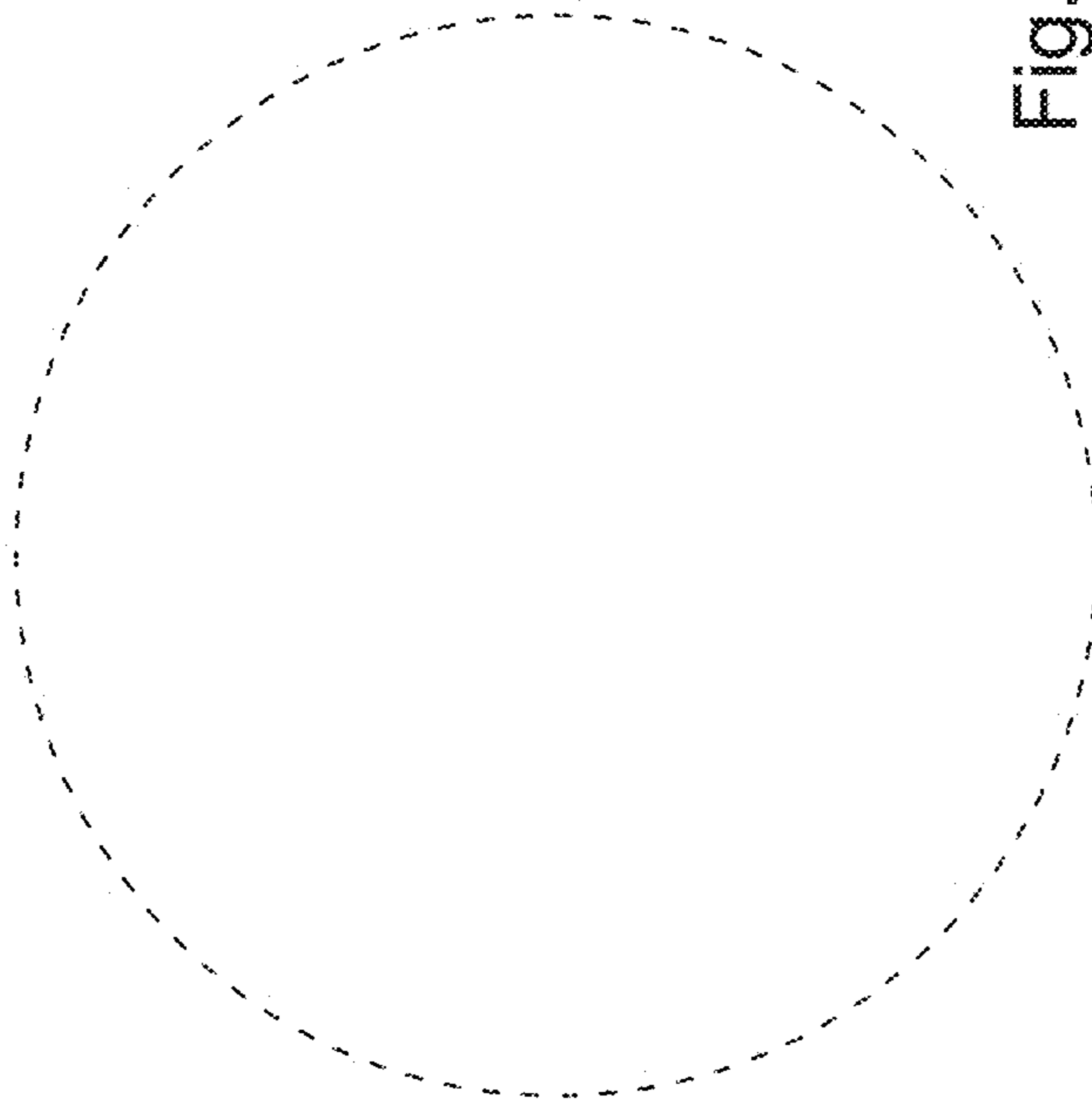


Fig. 35