



US00D750492S

(12) **United States Design Patent**
Campbell et al.

(10) **Patent No.:** **US D750,492 S**
(45) **Date of Patent:** **** Mar. 1, 2016**

(54) **AEROSOL SPRAY CAP**
(71) Applicant: **Summit Packaging Systems, Inc.**,
Manchester, NH (US)
(72) Inventors: **Jason C. Campbell**, Chicago, IL (US);
Marcel Faucher, New Boston, NH (US)
(73) Assignee: **Summit Packaging Systems, Inc.**,
Manchester, NH (US)
(**) Term: **14 Years**
(21) Appl. No.: **29/503,665**

D565,947 S * 4/2008 Downey D9/448
D580,264 S * 11/2008 Szasz D9/447
7,757,905 B2 * 7/2010 Strand B65D 83/22
222/153.11
D627,638 S * 11/2010 Bodet D9/448
7,922,041 B2 * 4/2011 Gurrisi B65D 83/22
222/153.11
D665,669 S * 8/2012 Folli D9/448
D672,650 S * 12/2012 Wisniewski D9/443
D680,432 S 4/2013 Geier
8,418,892 B2 4/2013 Geier
D686,077 S * 7/2013 Stull, Sr. D9/447
2007/0235474 A1 * 10/2007 Downey B65D 83/205
222/153.11
2008/0164285 A1 * 7/2008 Hygema B65D 83/205
222/153.11

(22) Filed: **Sep. 29, 2014**
(51) **LOC (10) Cl.** **09-07**
(52) **U.S. Cl.**
USPC **D9/448**
(58) **Field of Classification Search**
USPC D7/300, 300.1, 300.2, 303, 313, 317,
D7/602, 387, 509, 510, 511, 538; D9/434,
D9/435, 436, 439, 440, 441, 442, 443, 444,
D9/445, 446, 447, 448, 449, 450, 451, 452,
D9/453, 454, 499; D3/203.2, 202
CPC B65D 41/26; B65D 41/32; B65D 59/06;
B65D 47/0814; B65D 47/2031; B65D 51/249;
B65D 2251/1066; B65D 41/02; B65D 23/00;
B65D 39/08; B67D 3/0032; A47G 19/26;
A47G 19/2266; B65F 1/14
See application file for complete search history.

FOREIGN PATENT DOCUMENTS

EM 002051912-0001 8/2012

* cited by examiner

Primary Examiner — Robert M Spear
Assistant Examiner — Marissa J Cash
(74) *Attorney, Agent, or Firm* — Davis & Bujold PLLC;
Michael J. Bujold

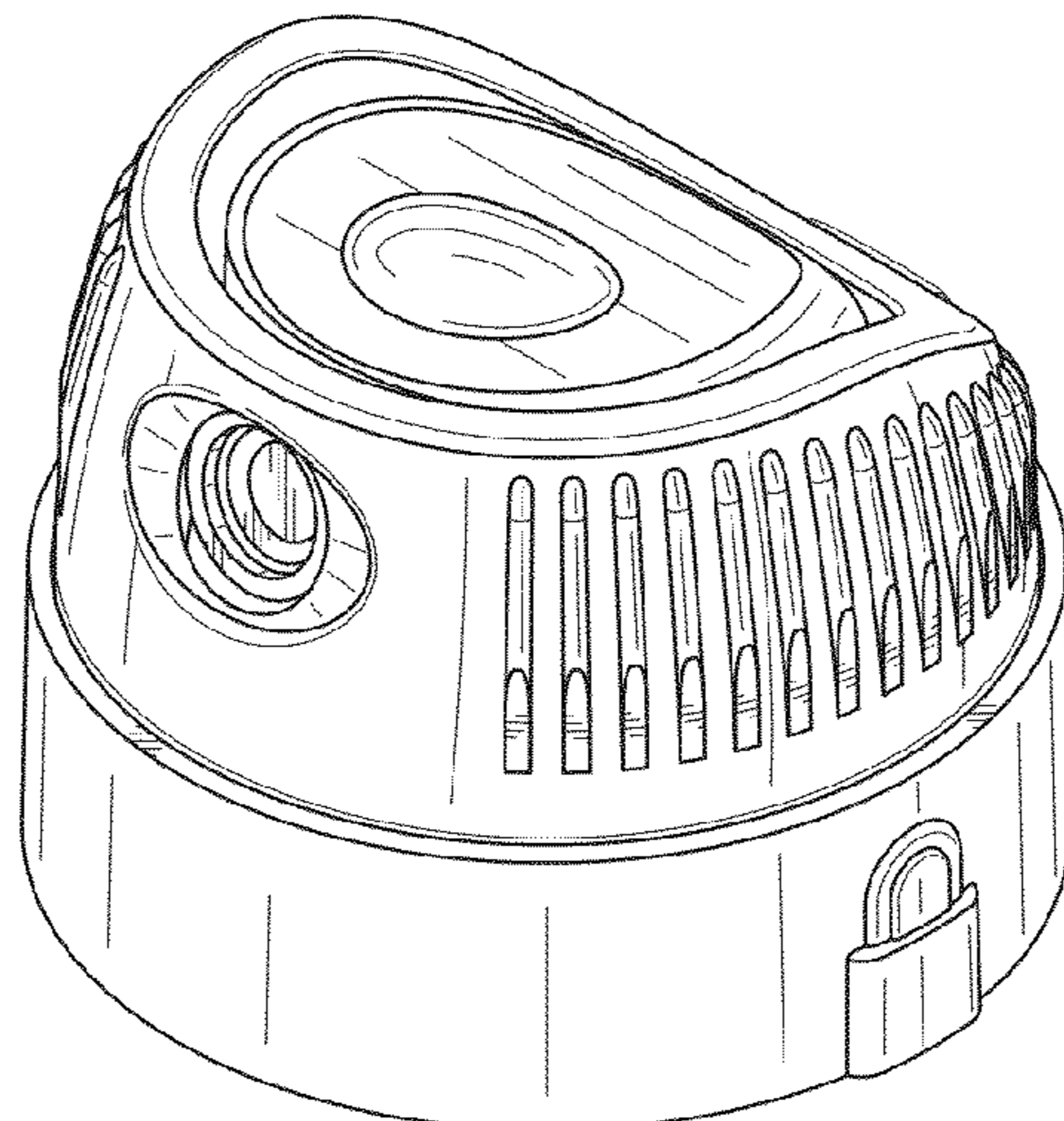
(56) **References Cited**
U.S. PATENT DOCUMENTS
D323,117 S * 1/1992 Demarest D9/448
D534,801 S * 1/2007 McMurrey D9/448
D536,969 S * 2/2007 Geier D9/448

(57) **CLAIM**
The ornamental design for an aerosol spray cap, as shown.

DESCRIPTION

FIG. 1 is a perspective view from the front of an aerosol spray cap;
FIG. 2 is a perspective view from the back thereof;
FIG. 3 is a front elevation view thereof;
FIG. 4 is a side elevation view thereof;
FIG. 5 is a rear elevation view thereof; and,
FIG. 6 is a top view thereof.

1 Claim, 1 Drawing Sheet



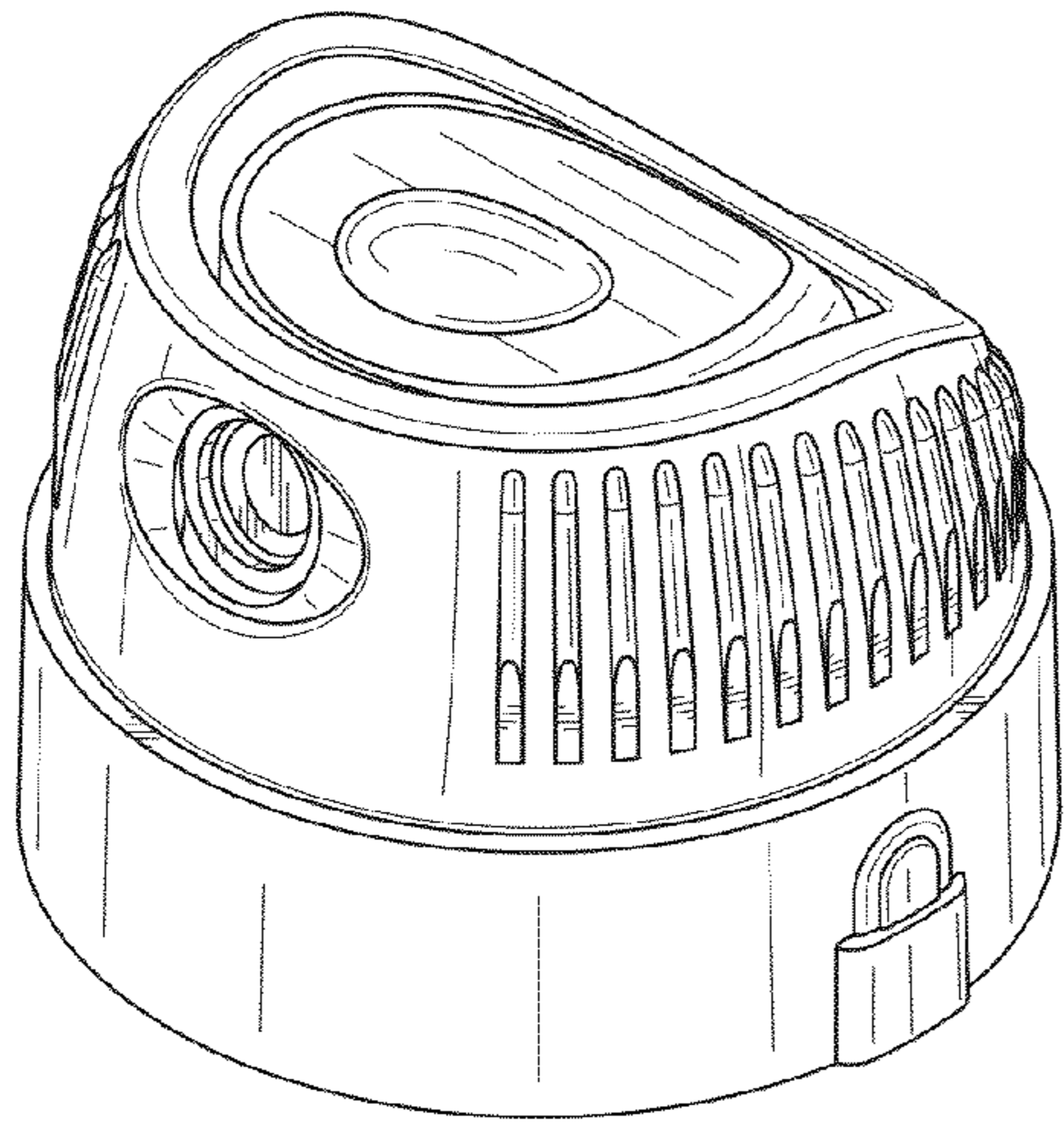


FIG.1

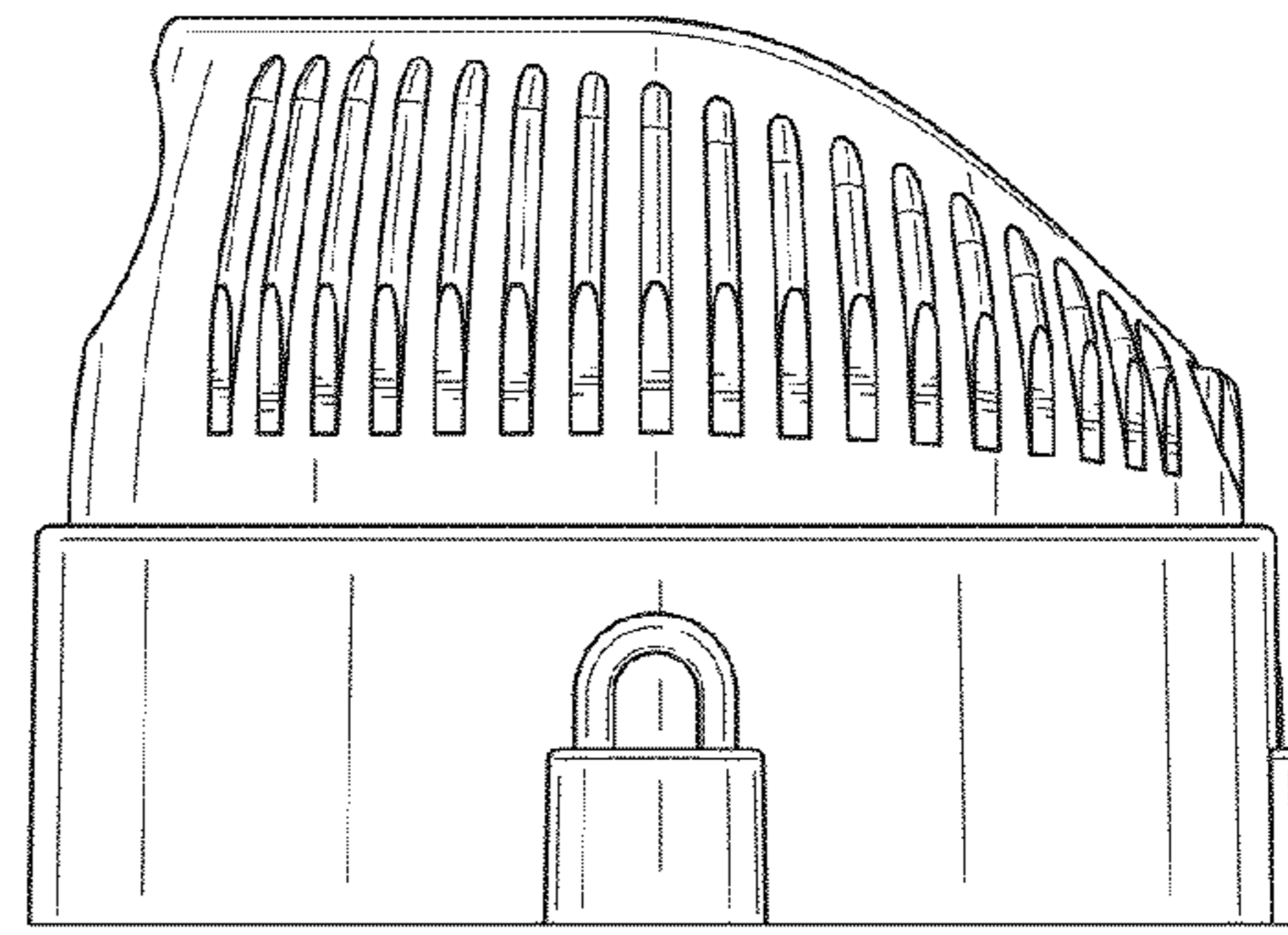


FIG.4

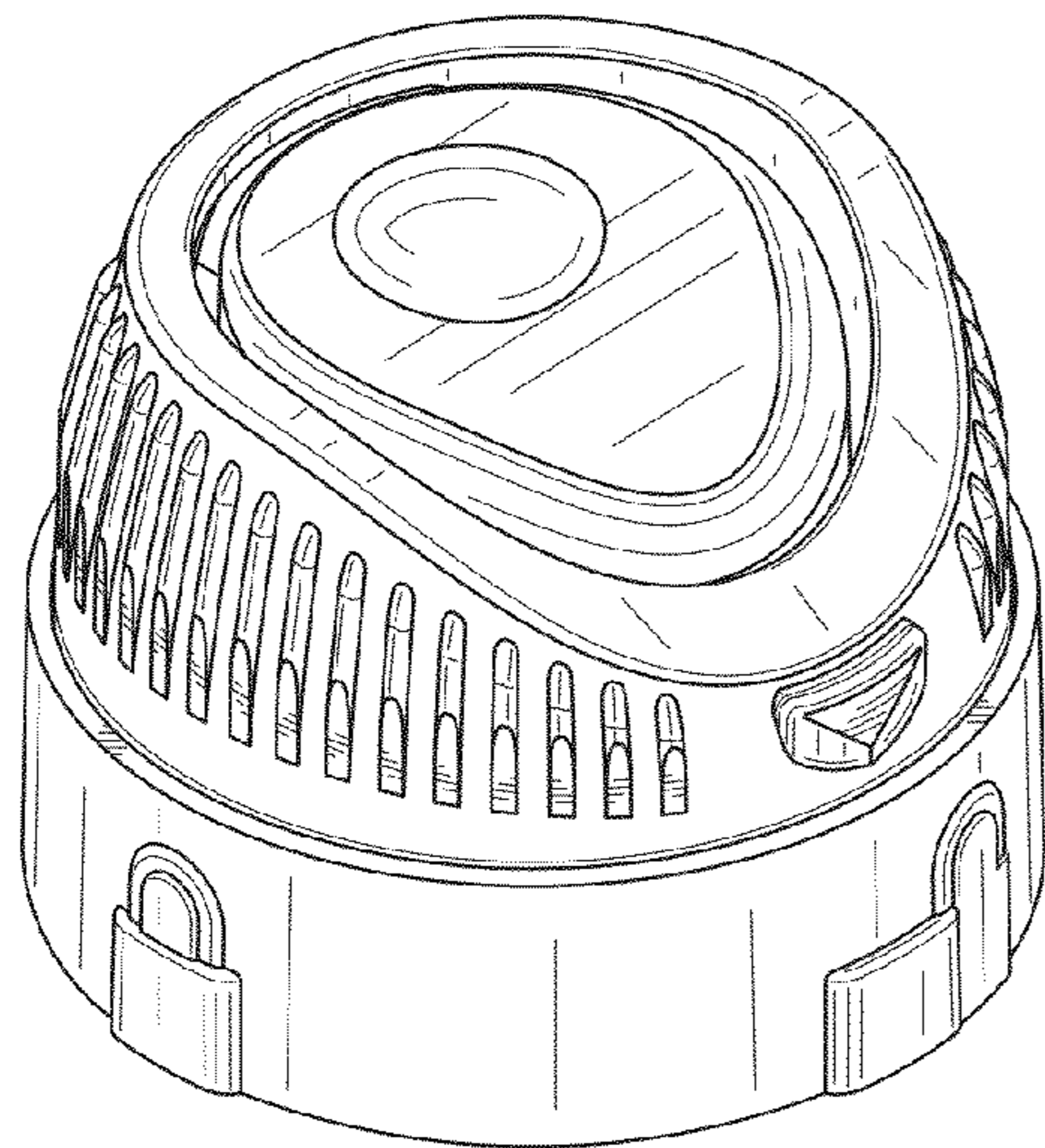


FIG.2

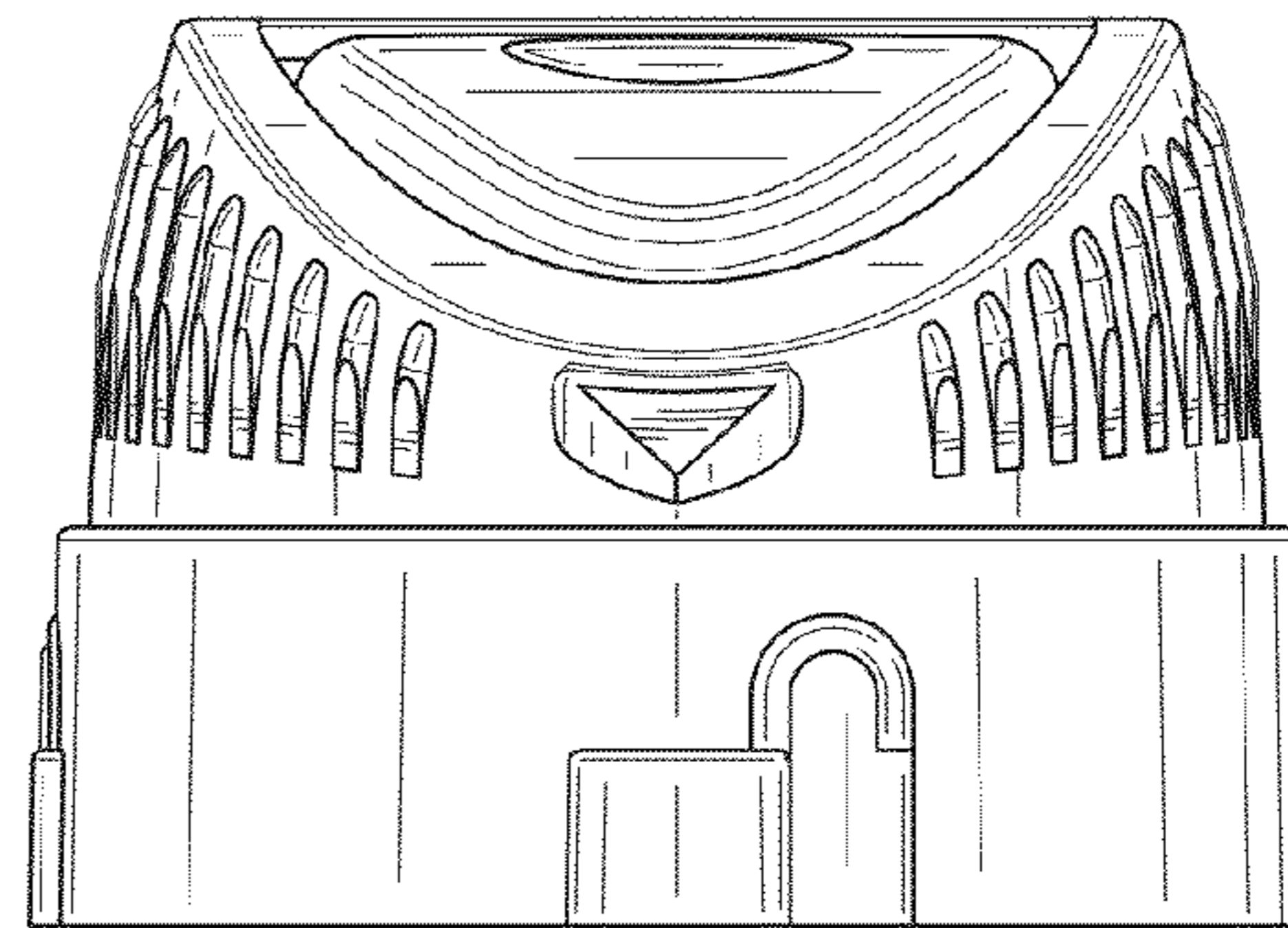


FIG.5

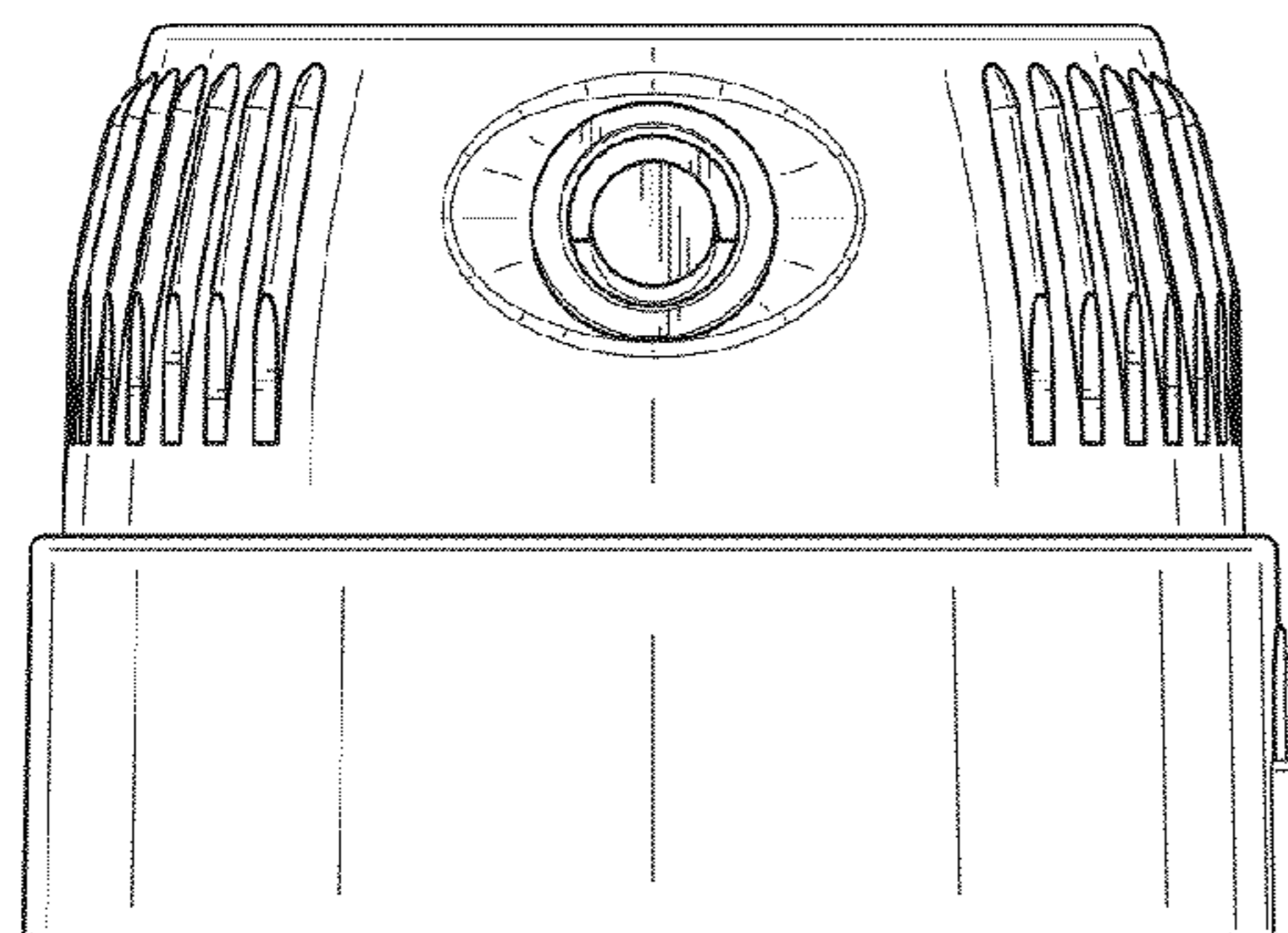


FIG.3

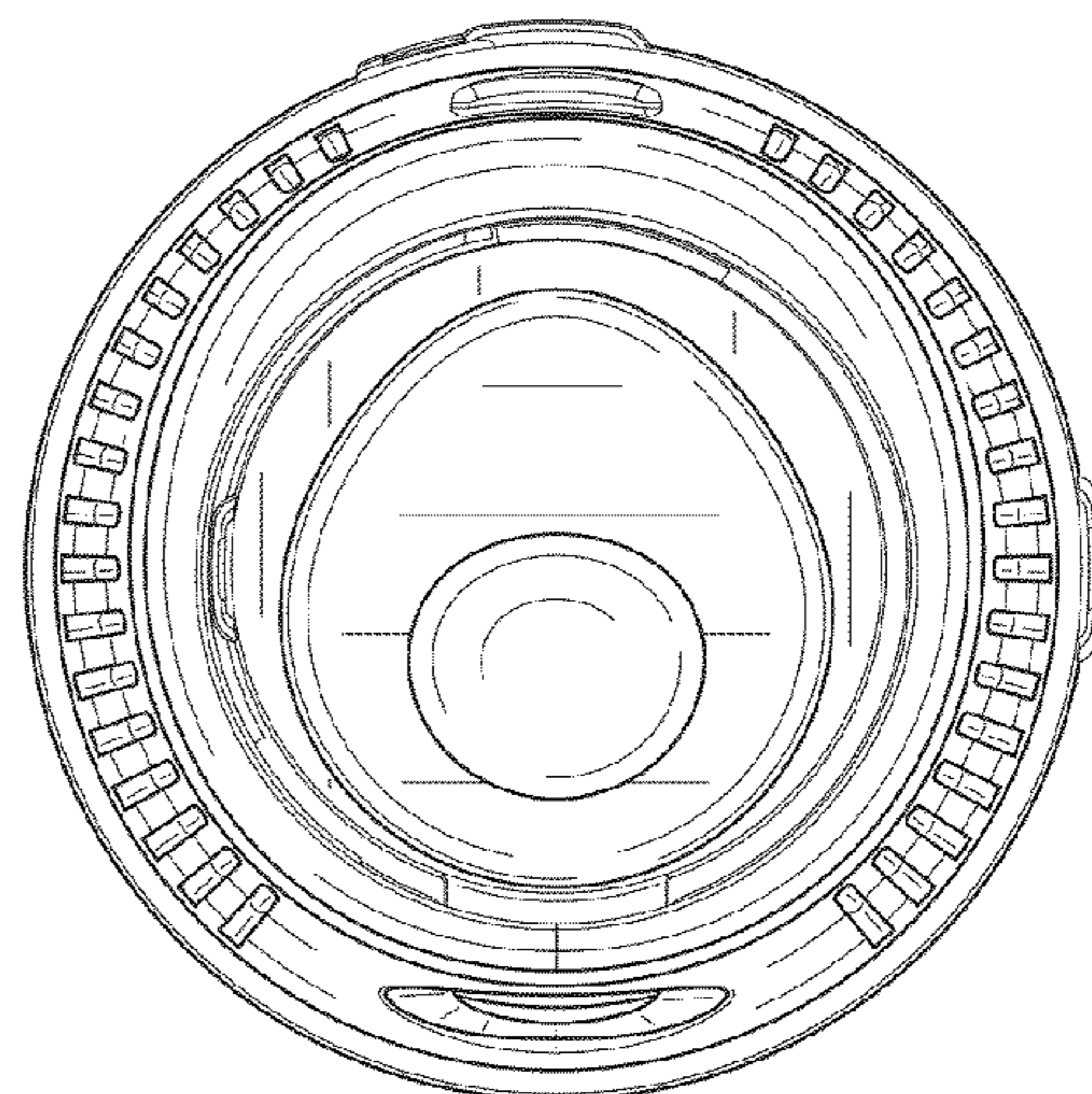


FIG.6