



US00D750491S

(12) **United States Design Patent**  
**Campbell et al.**

(10) **Patent No.:** **US D750,491 S**  
(45) **Date of Patent:** **\*\* Mar. 1, 2016**

(54) **SPRAY CAP**

(56) **References Cited**

U.S. PATENT DOCUMENTS

(71) Applicant: **Summit Packaging Systems, Inc.**,  
Manchester, NH (US)  
(72) Inventors: **Jason C. Campbell**, Chicago, IL (US);  
**Marcel Faucher**, New Boston, NH (US)  
(73) Assignee: **Summit Packaging Systems, Inc.**,  
Manchester, NH (US)

D204,213	S	*	3/1966	Huling	.....	D9/448
D208,224	S	*	8/1967	Crowell	.....	D9/448
D447,948	S	*	9/2001	Pannozzo	.....	D9/448
D478,285	S	*	8/2003	Pannozzo	.....	D9/448
D538,651	S	*	3/2007	Nukuto	.....	D9/448
D666,094	S	*	8/2012	Cho	.....	D9/448
D666,491	S	*	9/2012	Adams	.....	B65D 83/205 D9/445
D680,432	S	*	4/2013	Geier	.....	D9/448
D718,625	S	*	12/2014	Trevisan	.....	D9/448
D728,369	S	*	5/2015	Bos	.....	D9/445
2014/0084026	A1	*	3/2014	Gillespie	.....	B65D 83/206 222/153.11

(\*\*) Term: **14 Years**

\* cited by examiner

*Primary Examiner* — Robert M Spear

(21) Appl. No.: **29/499,539**

(74) *Attorney, Agent, or Firm* — Davis & Bujold PLLC;  
Michael J. Bujold

(22) Filed: **Aug. 15, 2014**

(57) **CLAIM**

The ornamental design for a spray cap, as shown.

(51) **LOC (10) Cl.** ..... **09-07**

(52) **U.S. Cl.**  
USPC ..... **D9/448**

**DESCRIPTION**

(58) **Field of Classification Search**  
USPC ..... D9/434, 435, 436, 440, 444, 445, 447,  
D9/448, 449, 454, 499, 500–504, 538, 546,  
D9/682–694  
CPC ..... B65D 77/06; B65D 83/20; B65D 83/30;  
B65D 83/205; B65D 83/207; B65D 83/306  
See application file for complete search history.

FIG. 1 is a perspective view from the front of a spray cap;  
FIG. 2 is a perspective view from the back thereof;  
FIG. 3 is a front elevation view thereof;  
FIG. 4 is a side elevation view thereof;  
FIG. 5 is a rear elevation view thereof; and,  
FIG. 6 is a top view thereof.

**1 Claim, 2 Drawing Sheets**

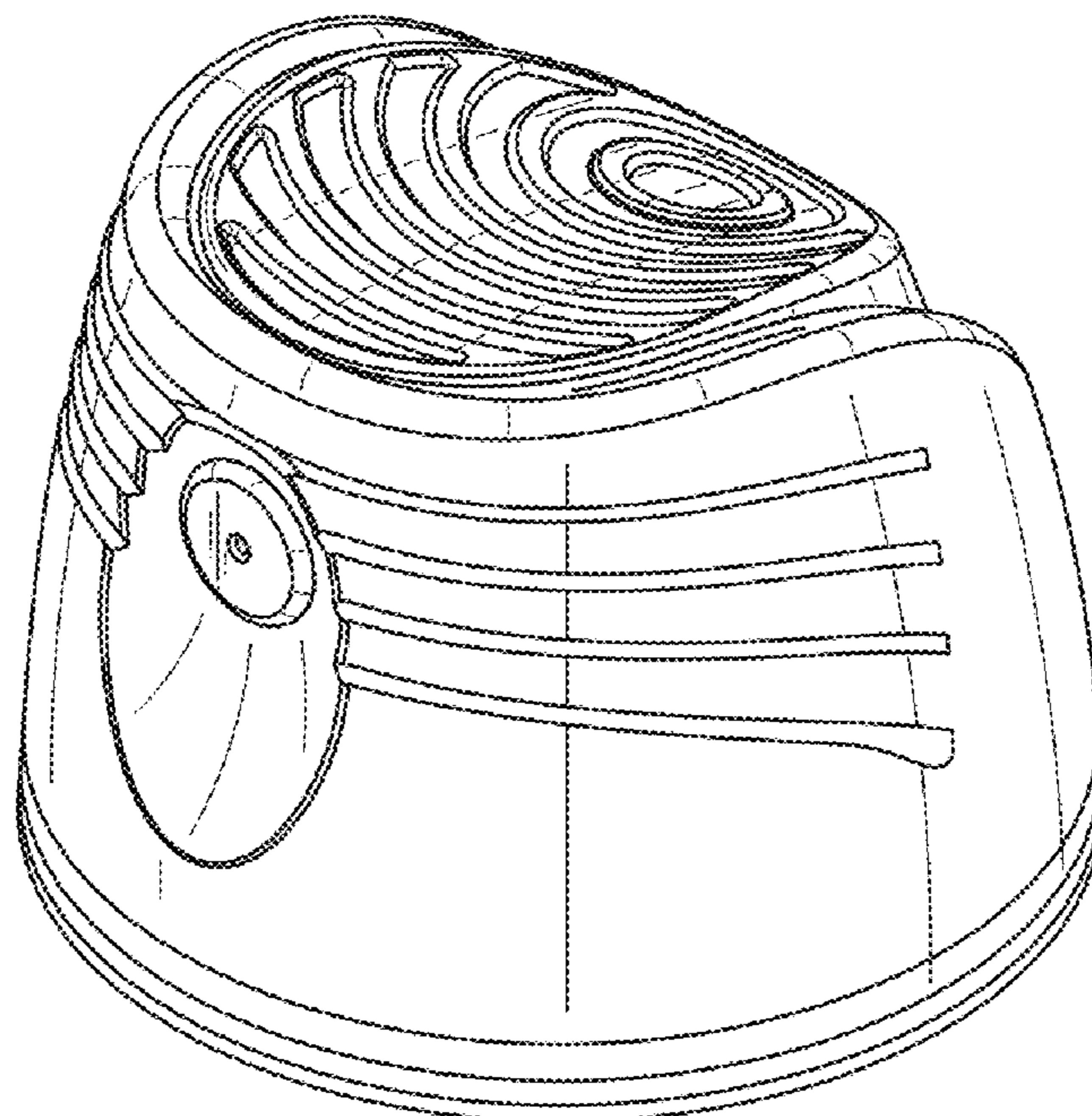


FIG.1

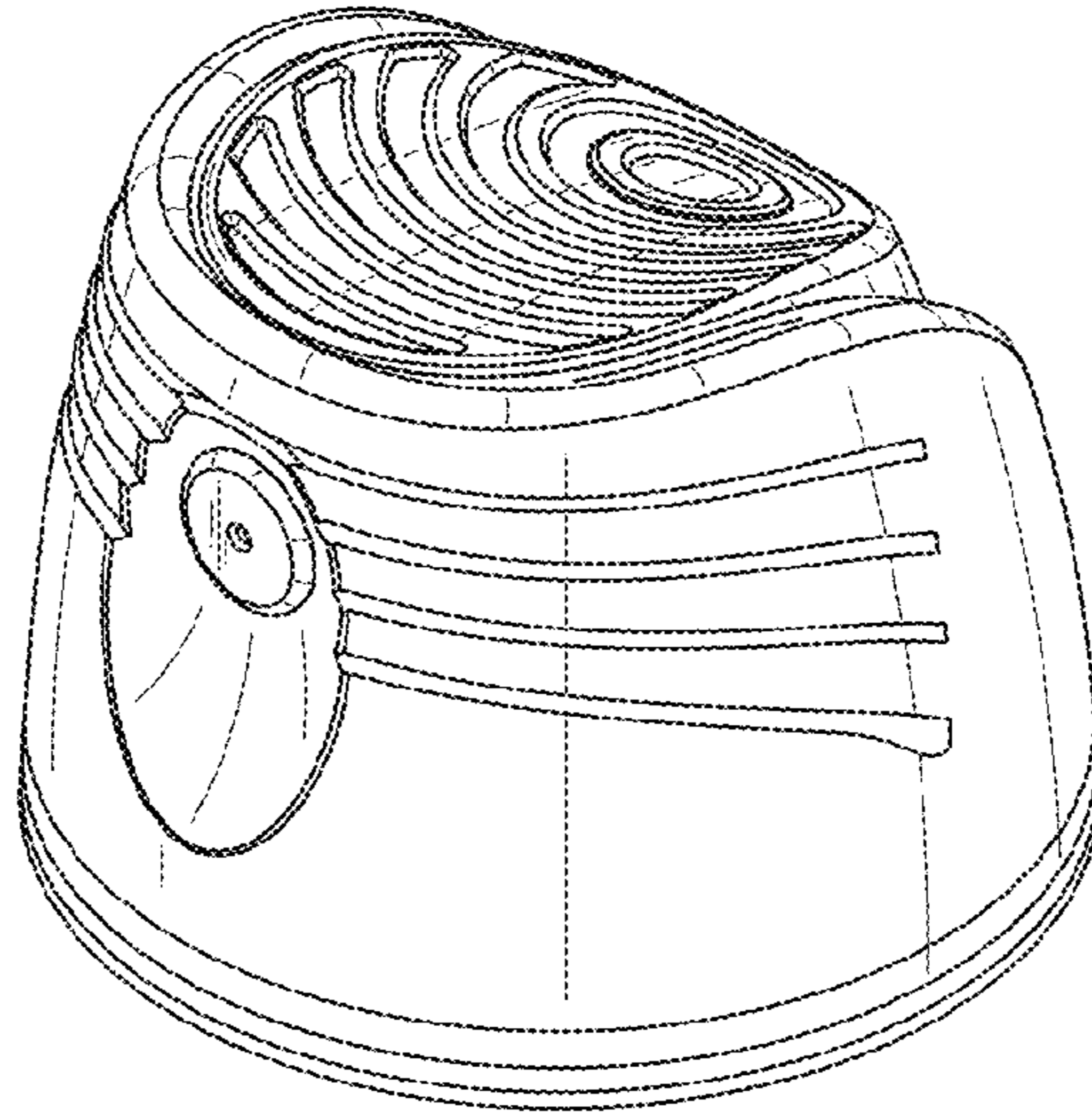


FIG.2

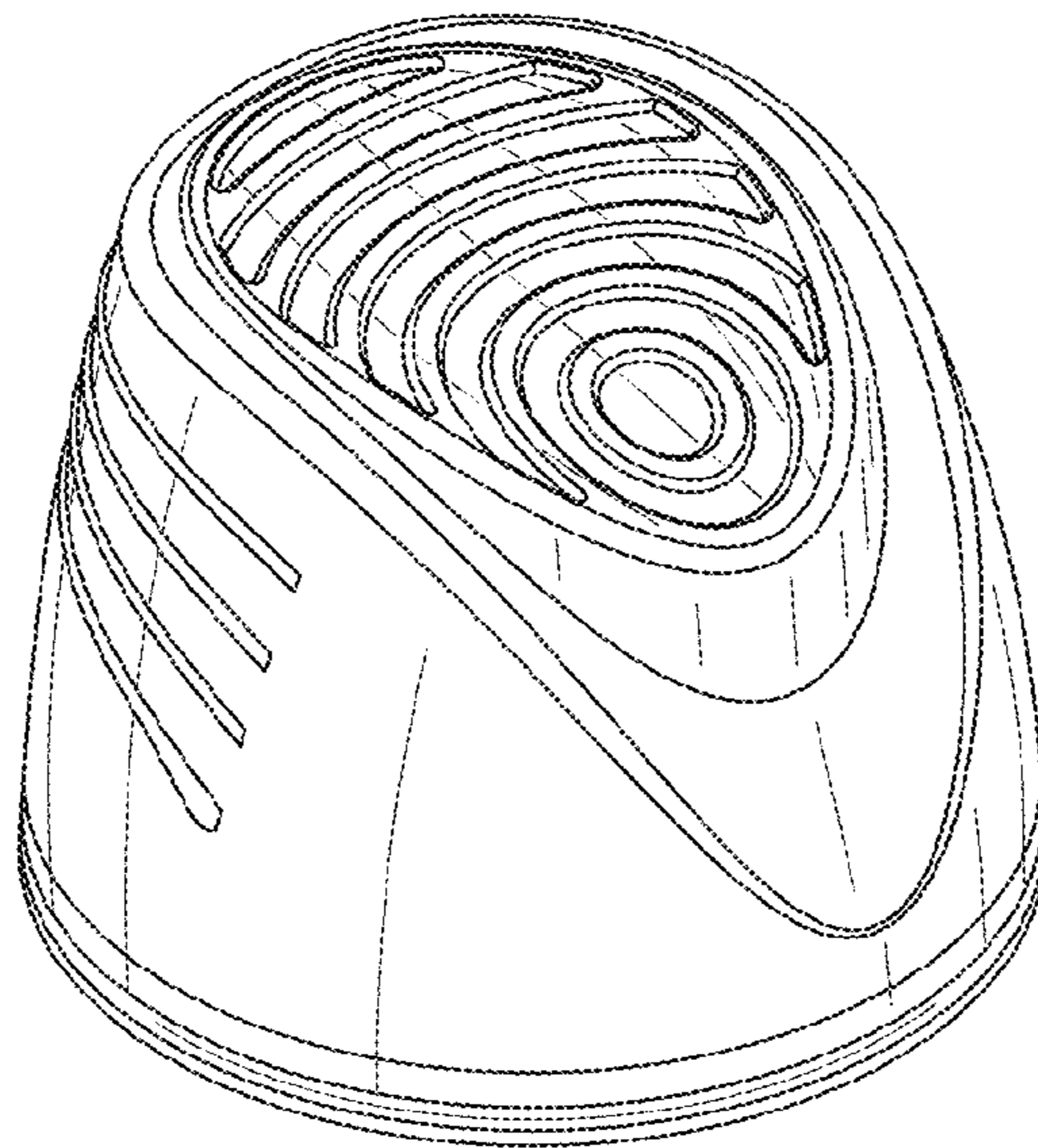


FIG.3

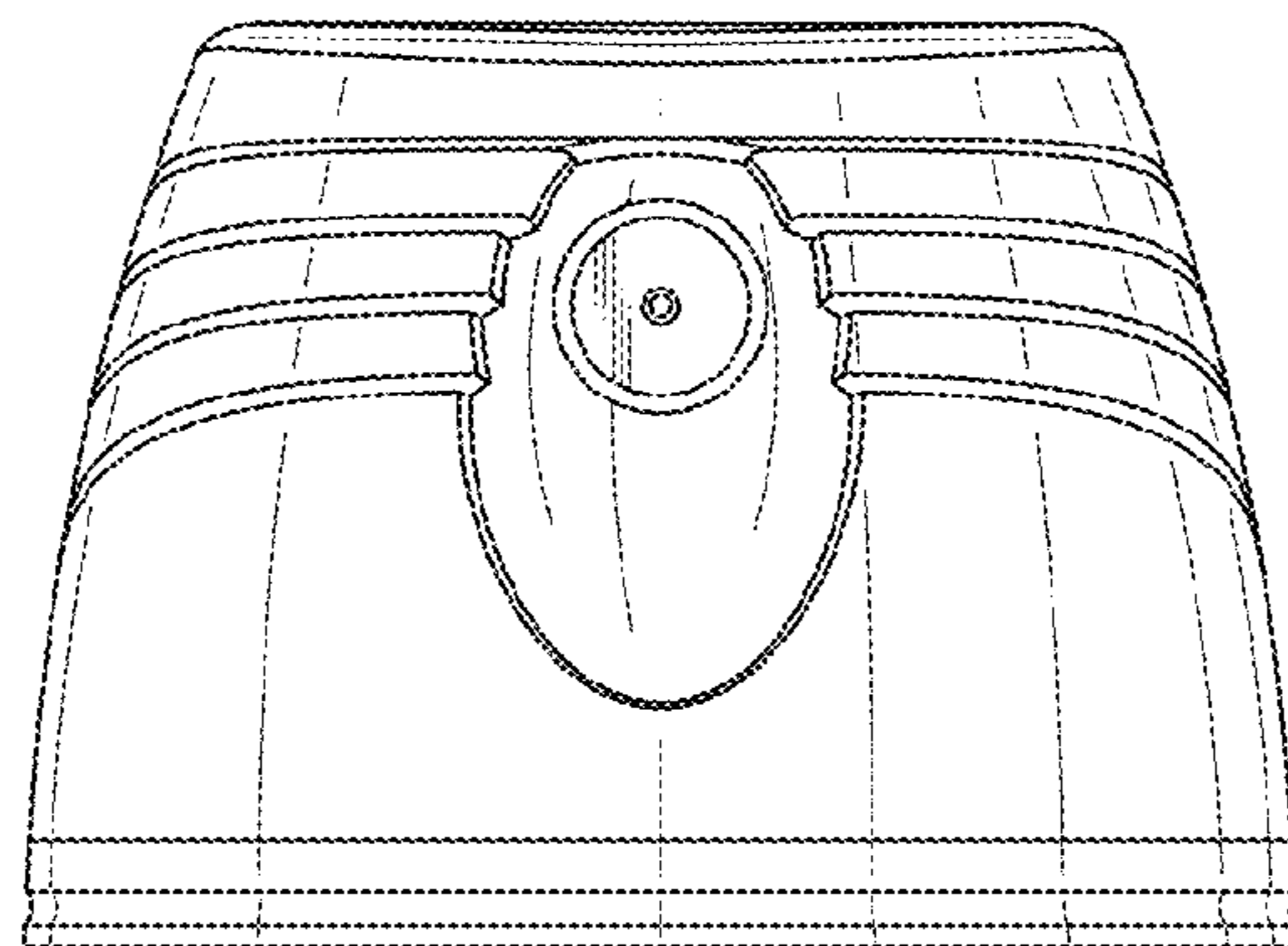




FIG. 4

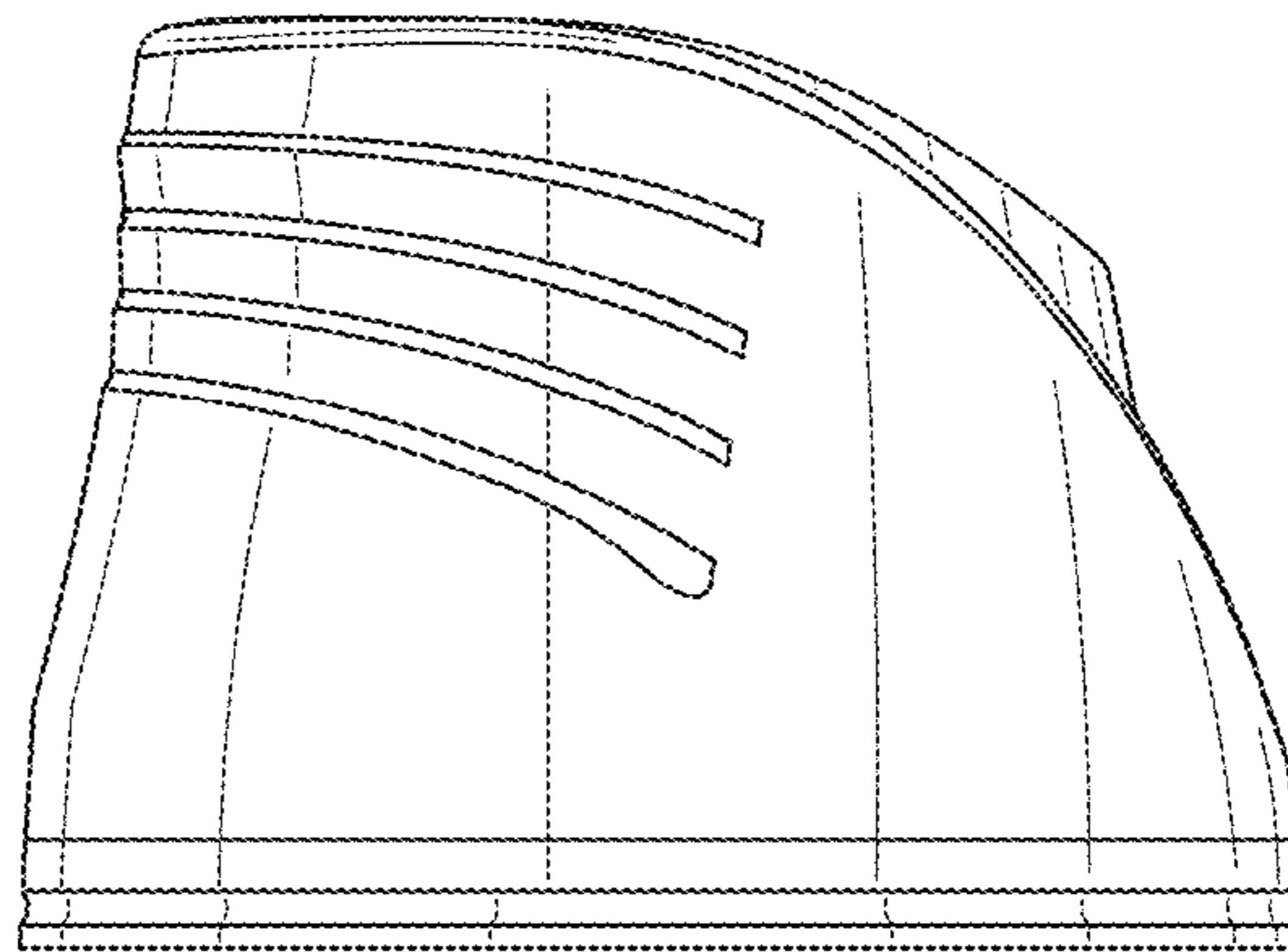


FIG. 5

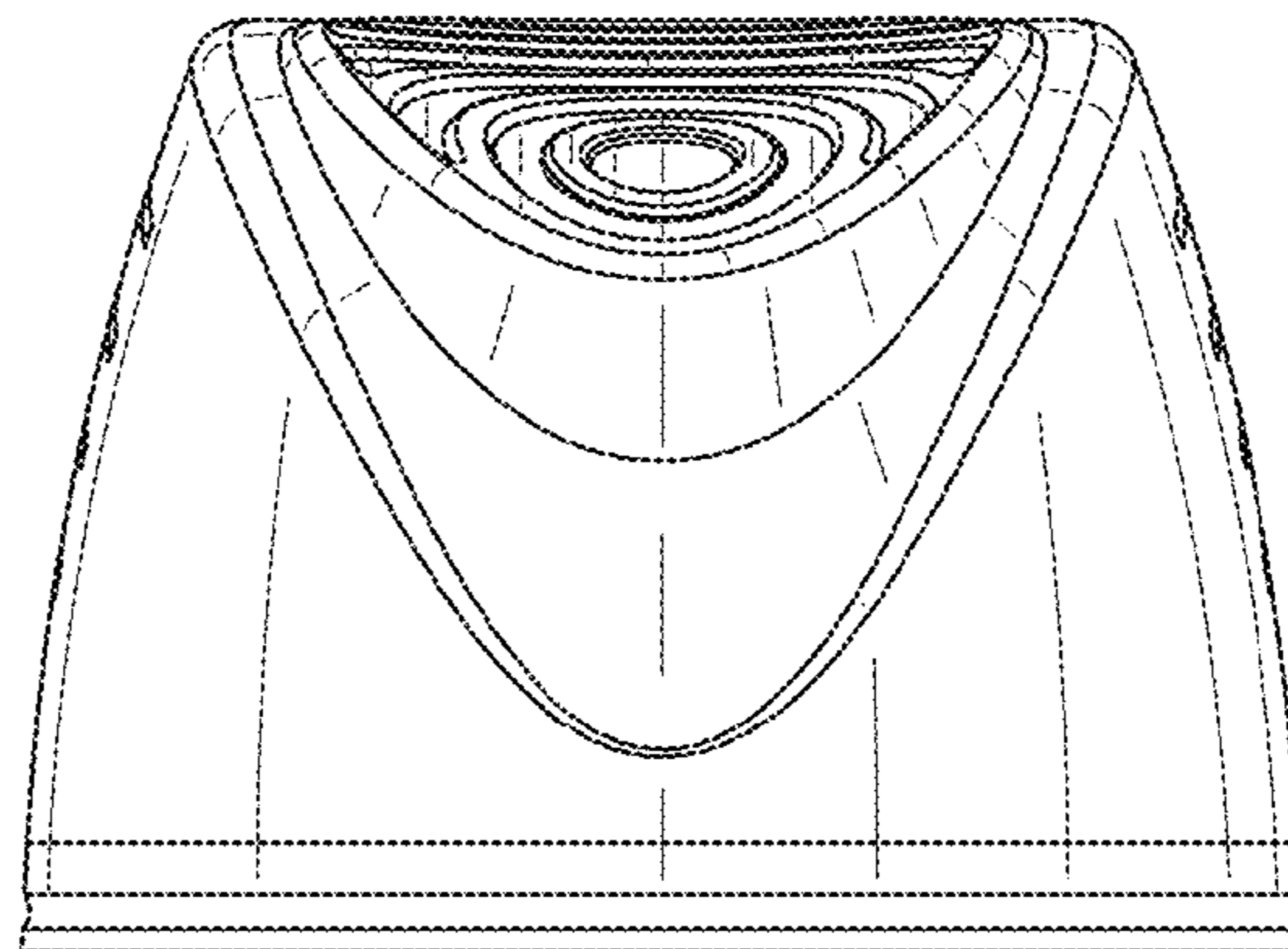


FIG. 6

