



US00D750489S

(12) **United States Design Patent**  
**Chiu**

(10) **Patent No.:** **US D750,489 S**  
(45) **Date of Patent:** **\*\* Mar. 1, 2016**

(54) **BOTTLE CAP**

(71) Applicant: **Hui-Lin Chiu**, Tainan (TW)

(72) Inventor: **Hui-Lin Chiu**, Tainan (TW)

(\*\*) Term: **14 Years**

(21) Appl. No.: **29/490,775**

(22) Filed: **May 13, 2014**

(30) **Foreign Application Priority Data**

Nov. 13, 2013 (TW) ..... 102307344

(51) **LOC (10) Cl.** ..... **09-01**

(52) **U.S. Cl.**  
USPC ..... **D9/445**

(58) **Field of Classification Search**  
USPC ..... D3/302, 318; D9/434-436, 439, 444,  
D9/445, 449, 499; 206/6.1, 525, 526, 566;  
220/334, 337  
CPC ..... B65D 77/064  
See application file for complete search history.

(56) **References Cited**

**U.S. PATENT DOCUMENTS**

D290,075 S \* 6/1987 Loughridge ..... D6/519  
D344,234 S \* 2/1994 Kaplan ..... D3/294  
7,011,448 B2 \* 3/2006 Olin ..... 383/66  
D543,453 S \* 5/2007 Fu et al. .... D3/302

**OTHER PUBLICATIONS**

The Beauty & Lifestyle Hunter. Product Review and NOTD: Illamasqua Nail Varnish in Hemlock. [Jan. 21, 2014], [site visited Jan. 14, 2015]. Available from Internet, <URL:http://beautyandlifestylehunter.blogspot.com/2014/01/product-review-and-notd-illamasqua-nail.html>.\*

Ascent A Day. MAC's Pinkaura MV4. [Oct. 10, 2014], [site visited Jan. 14, 2015]. Available from Internet, <URL:https://ascentaday.wordpress.com/2014/10/10/mac-s-pinkaura-mv4/>.\*

\* cited by examiner

*Primary Examiner* — Robert M Spear  
*Assistant Examiner* — Darcey E Heflin

(74) *Attorney, Agent, or Firm* — Muncy, Geissler, Olds & Lowe PC

(57) **CLAIM**

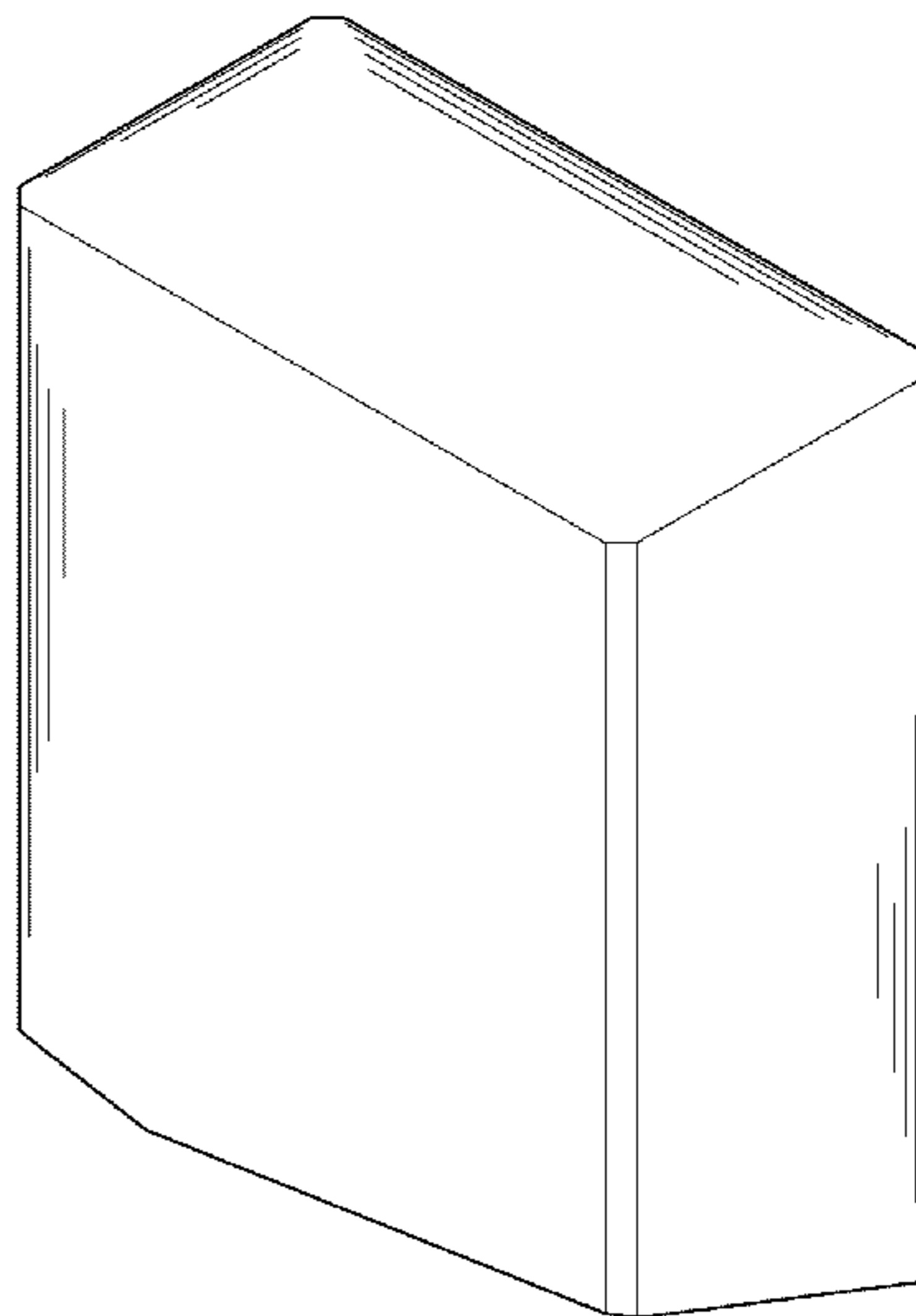
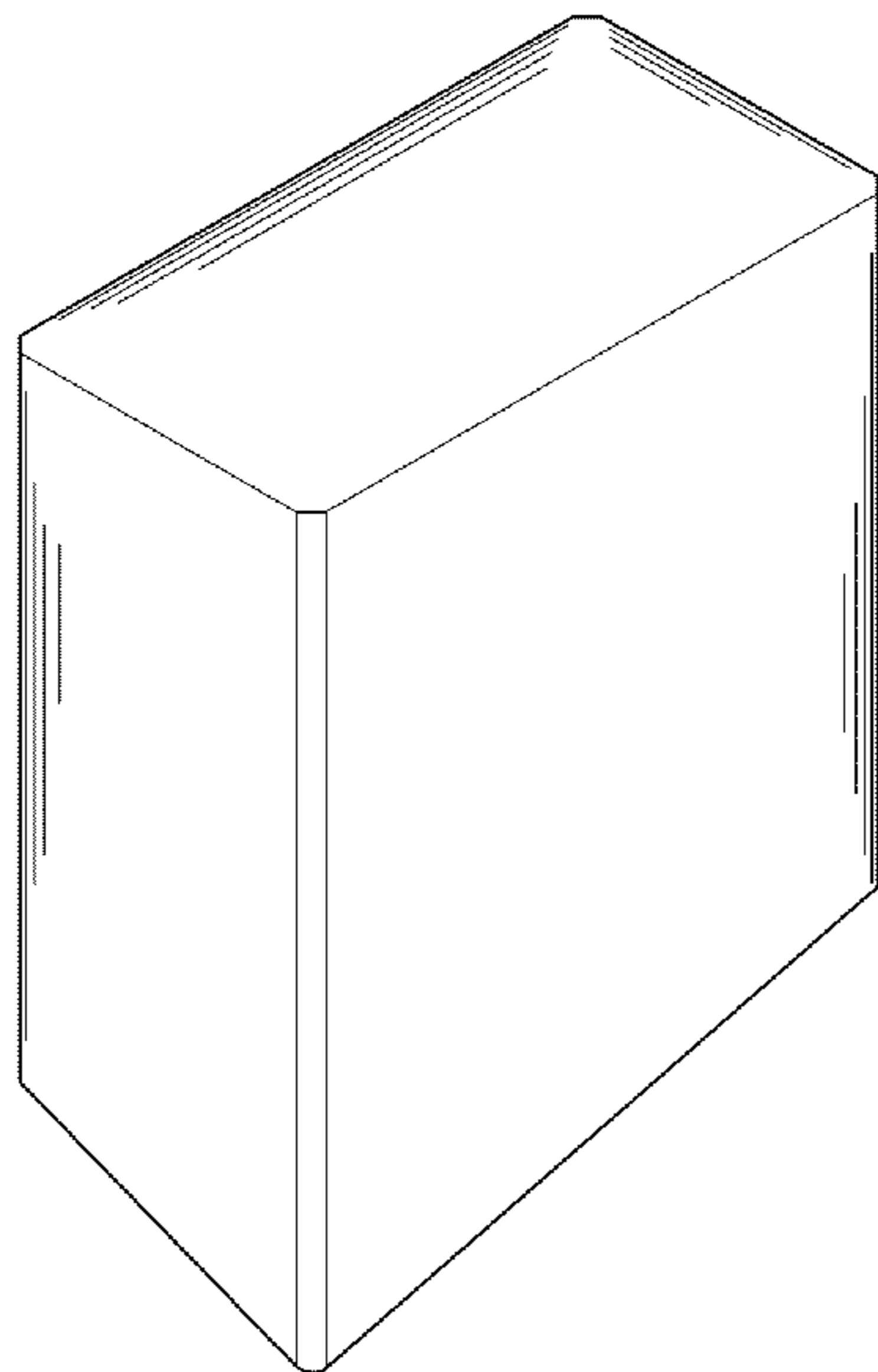
The ornamental design for a bottle cap, as shown and described.

**DESCRIPTION**

FIG. 1 is a front, top perspective view of a bottle cap showing my new design;  
FIG. 2 is a front elevational view thereof;  
FIG. 3 is a rear elevational view thereof;  
FIG. 4 is a left side view thereof;  
FIG. 5 is a right side view thereof;  
FIG. 6 is a top plan view thereof;  
FIG. 7 is a bottom plan view thereof;  
FIG. 8 is a rear perspective view thereof;  
FIG. 9 is a front, bottom perspective view thereof;  
FIG. 10 is a rear, bottom perspective view thereof;  
FIG. 11 is a front perspective view of the bottle cap in use, wherein the bottle cap is fitted onto the bottle at its top portion;  
FIG. 12 is cross-sectional view taken along line 12-12 of FIG. 11; and,  
FIG. 13 is an exploded perspective view of the bottle cap in use.

In the drawings, the evenly-spaced broken lines depict unclaimed environmental subject matter and form no part of the claim; the dash-dot-dot-dash lines represent boundaries of the claimed design and form no part thereof.

**1 Claim, 10 Drawing Sheets**



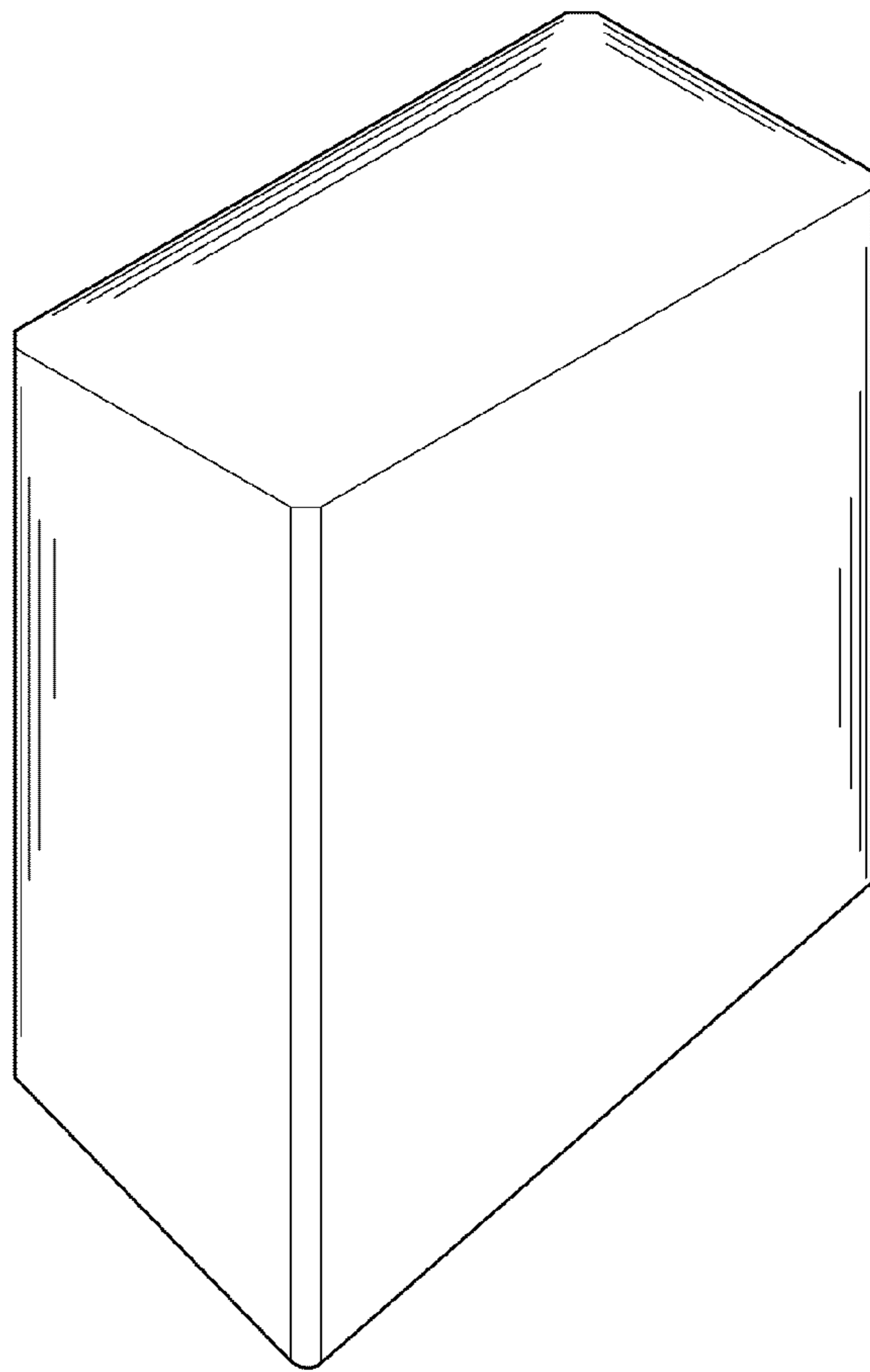


FIG. 1

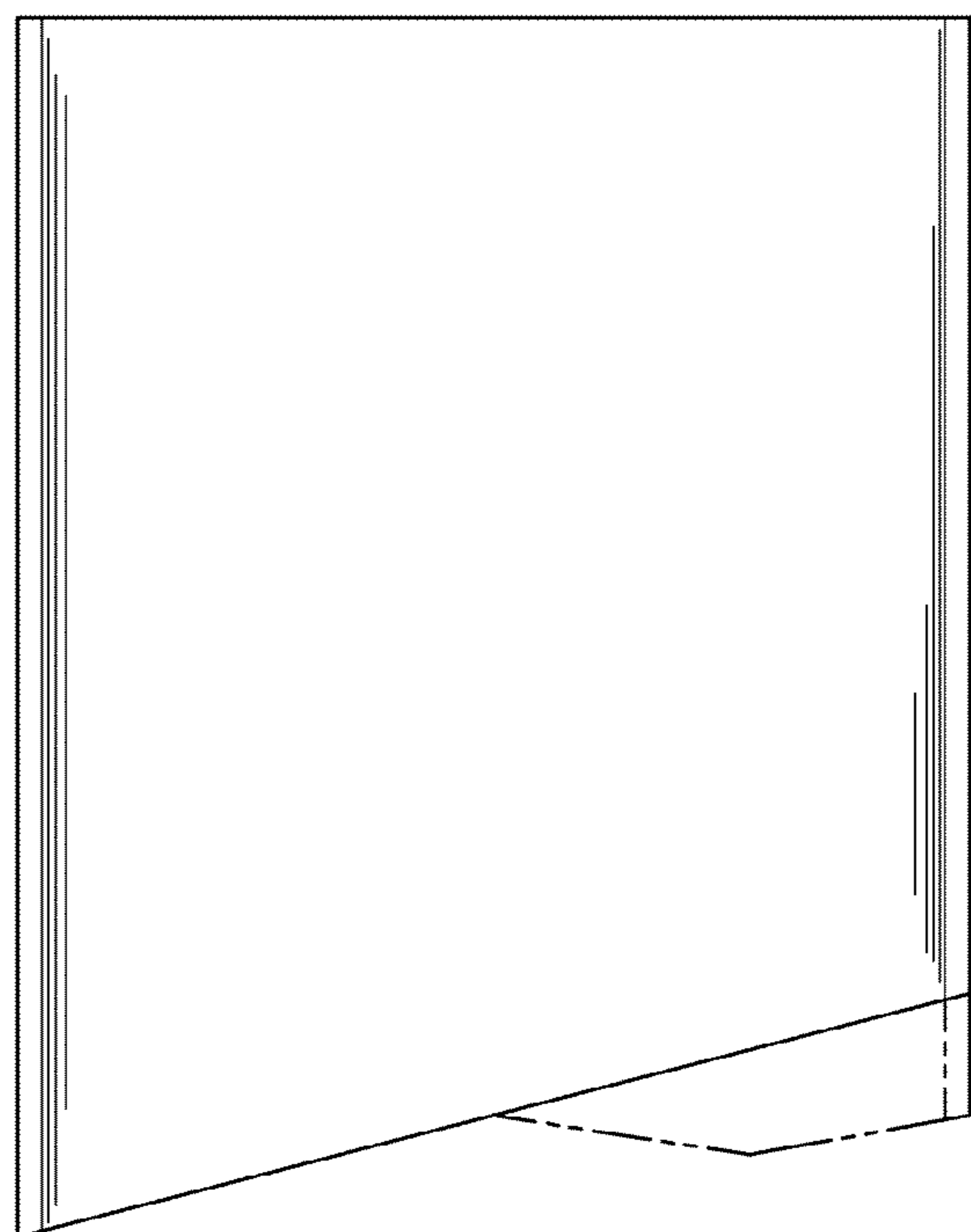


FIG. 2

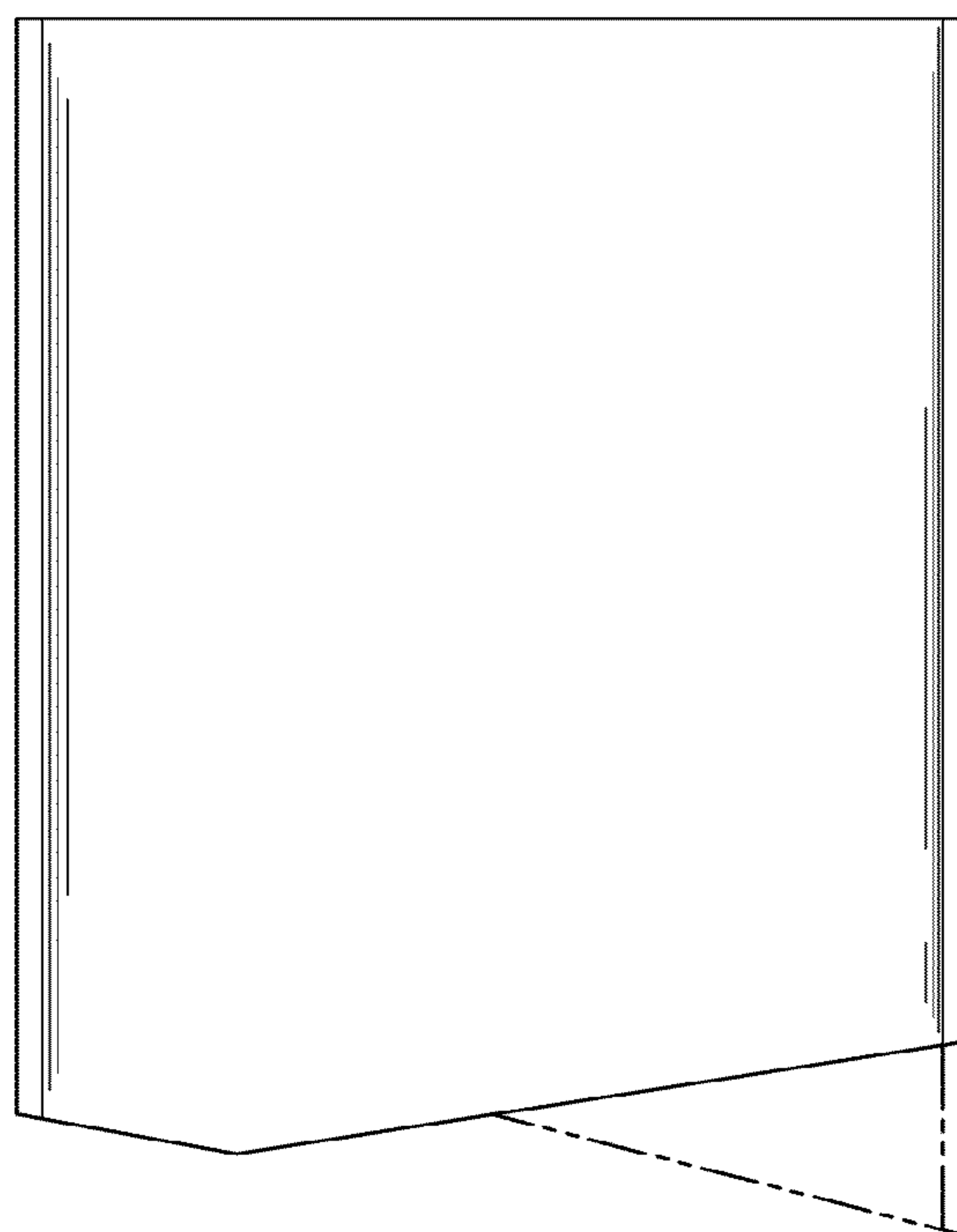


FIG. 3

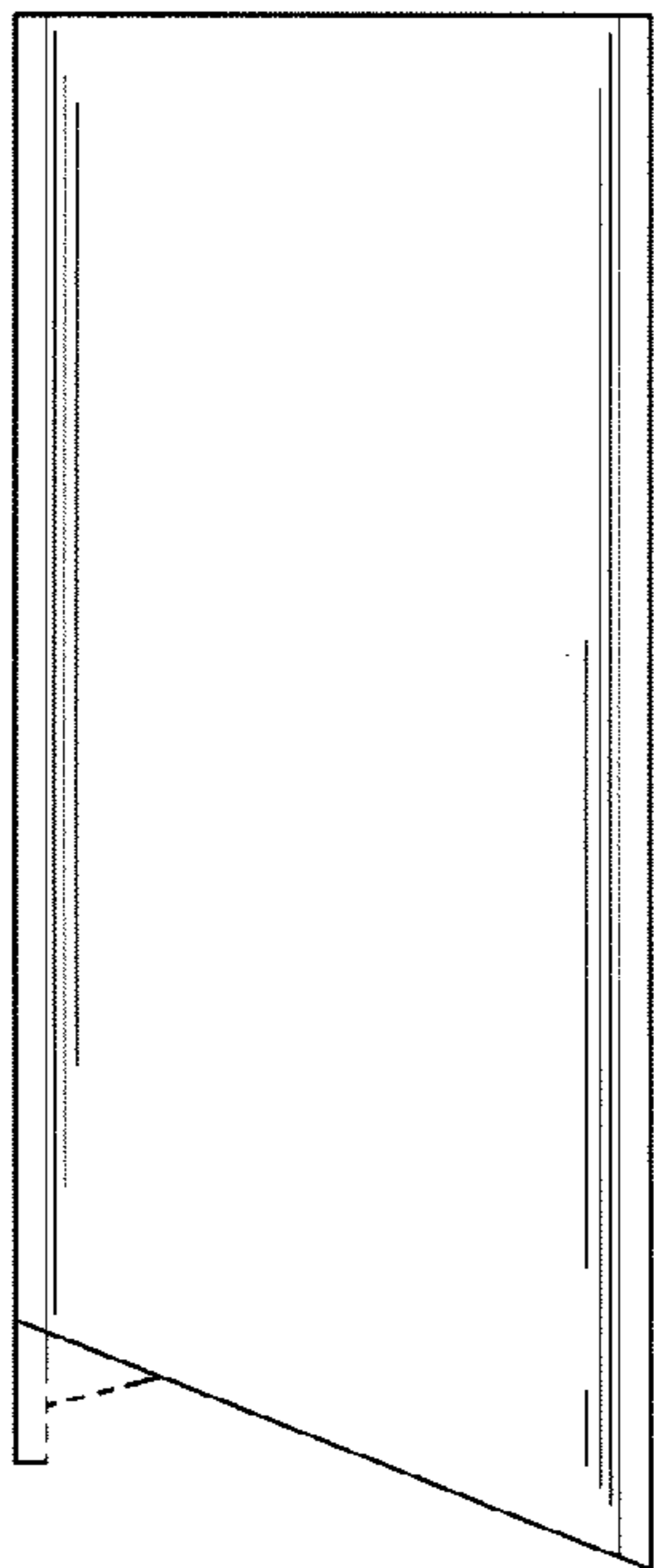


FIG. 4

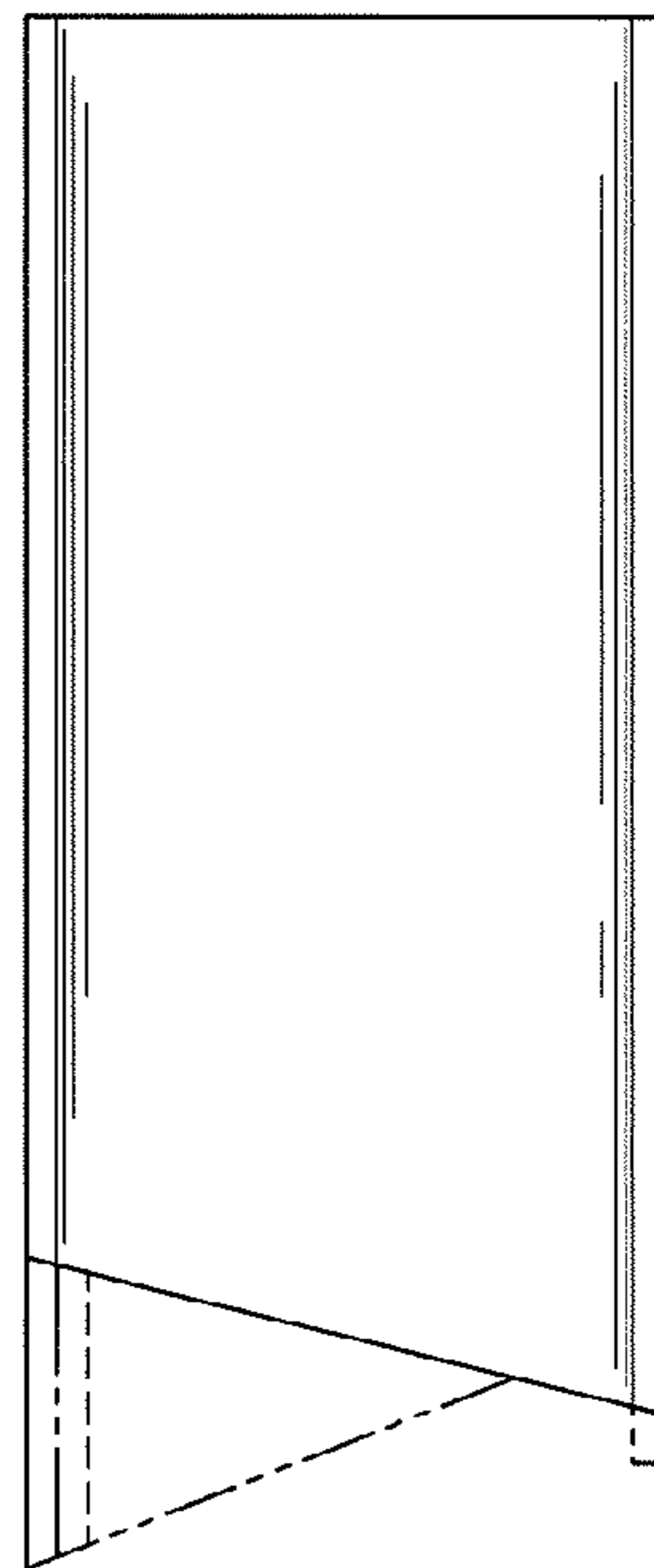


FIG. 5

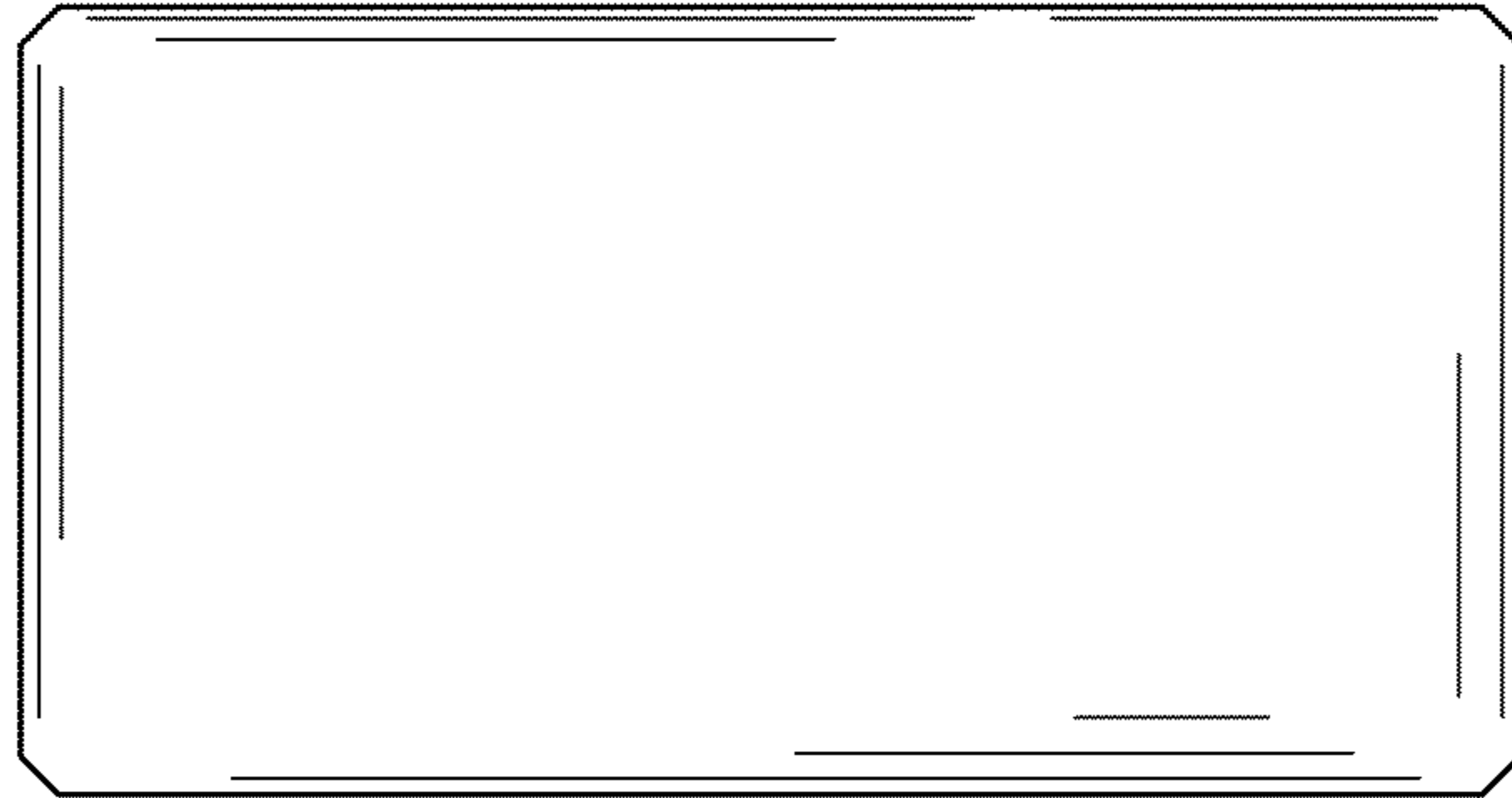


FIG. 6

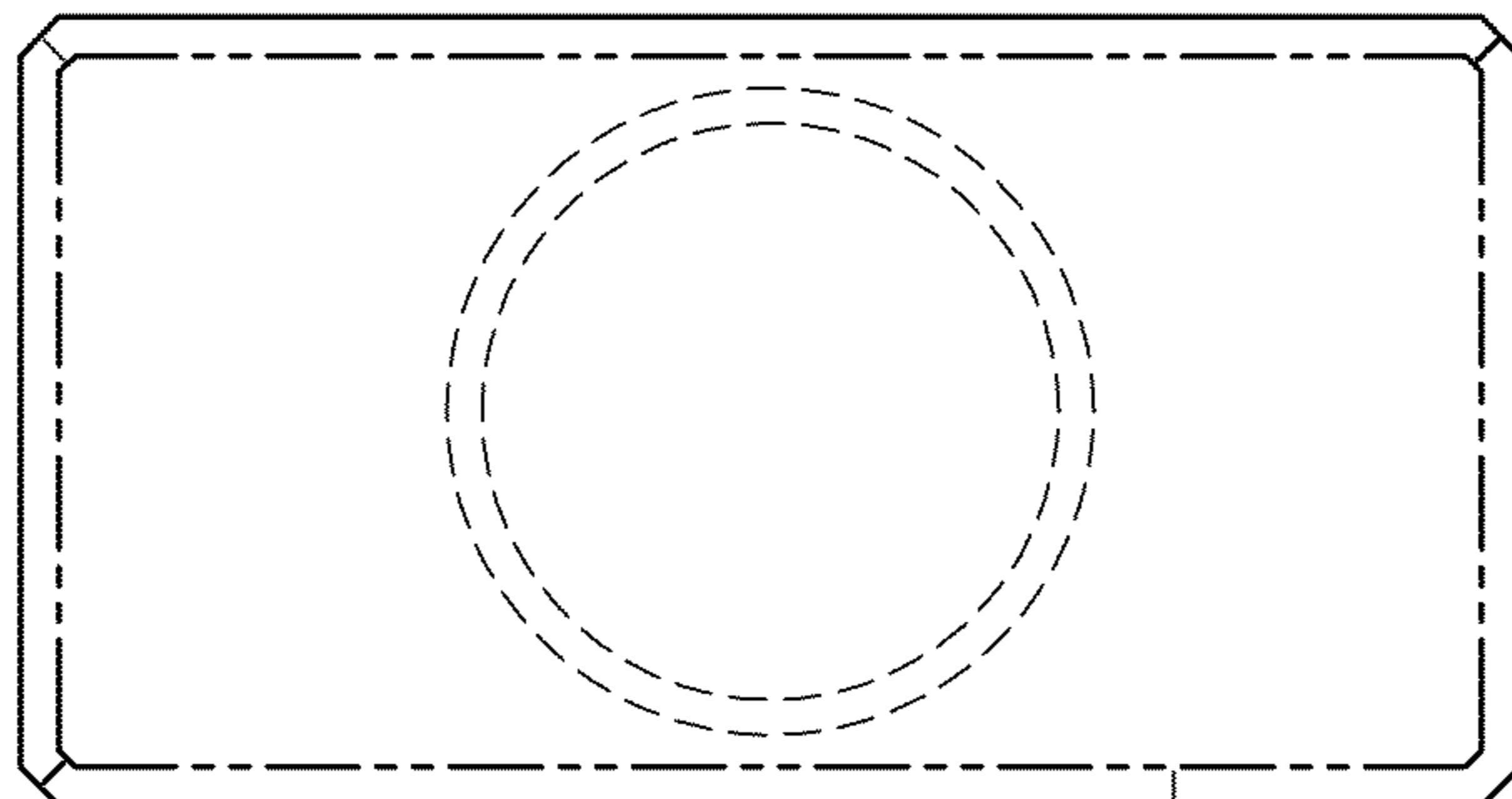


FIG. 7

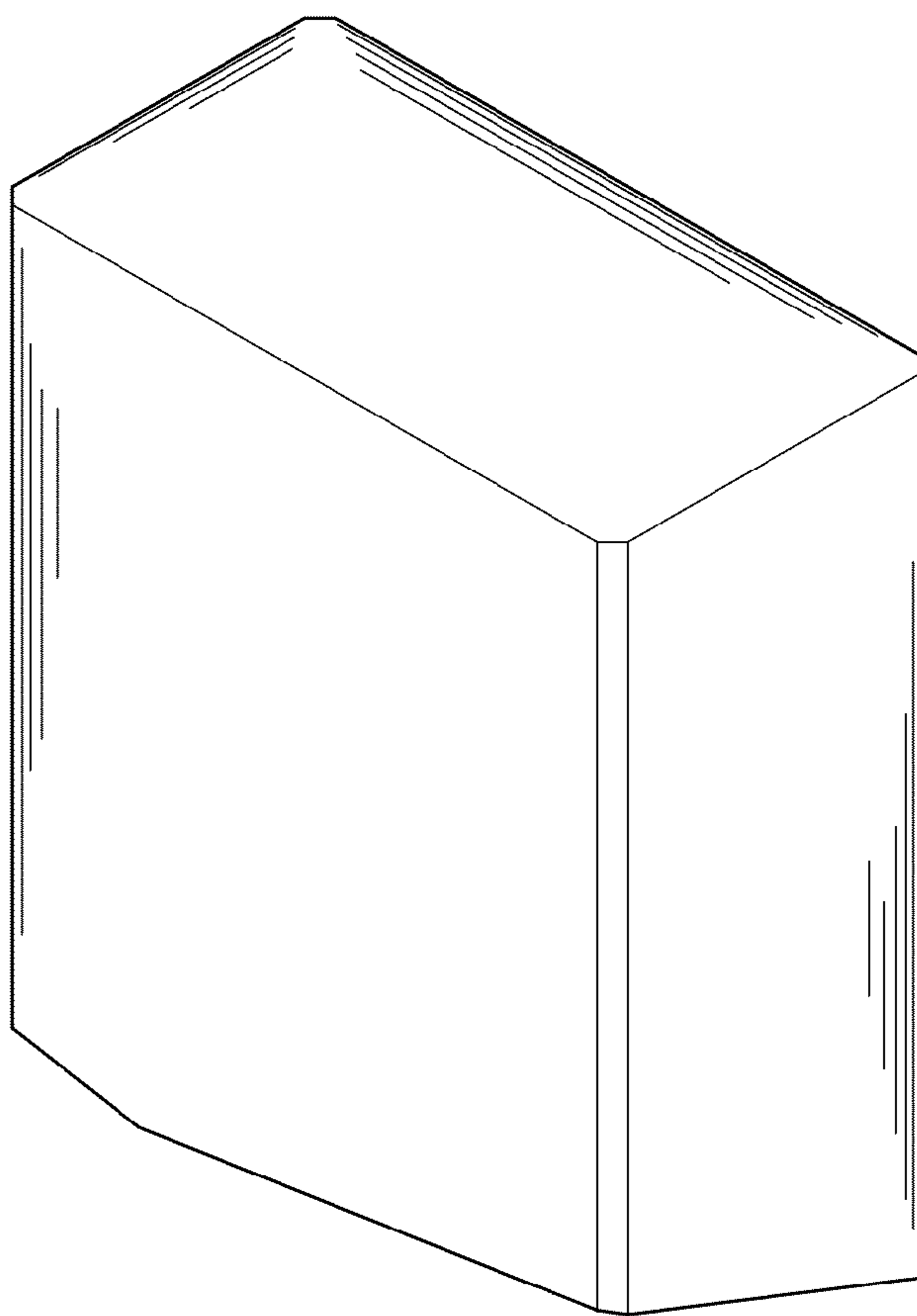


FIG. 8

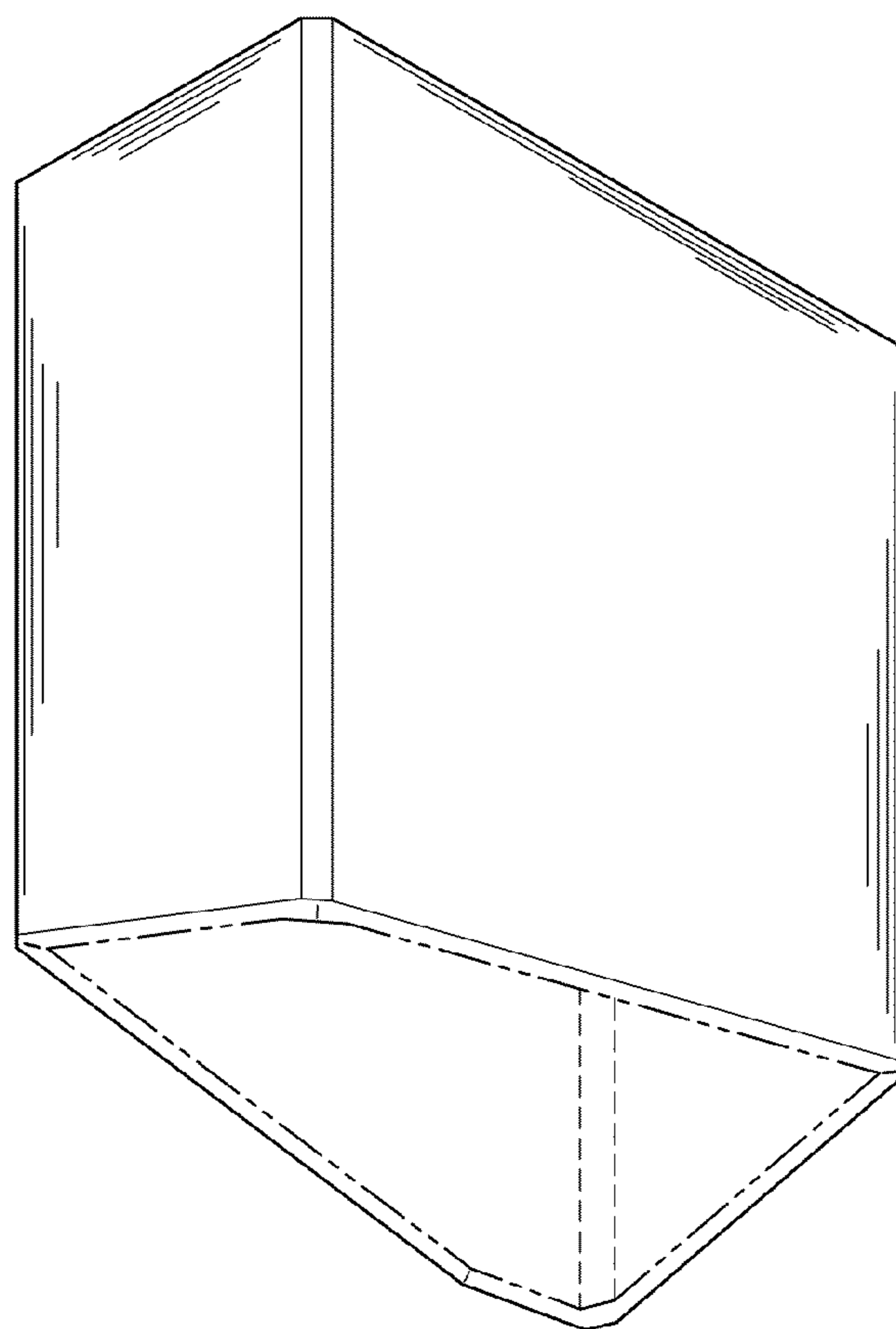


FIG. 9

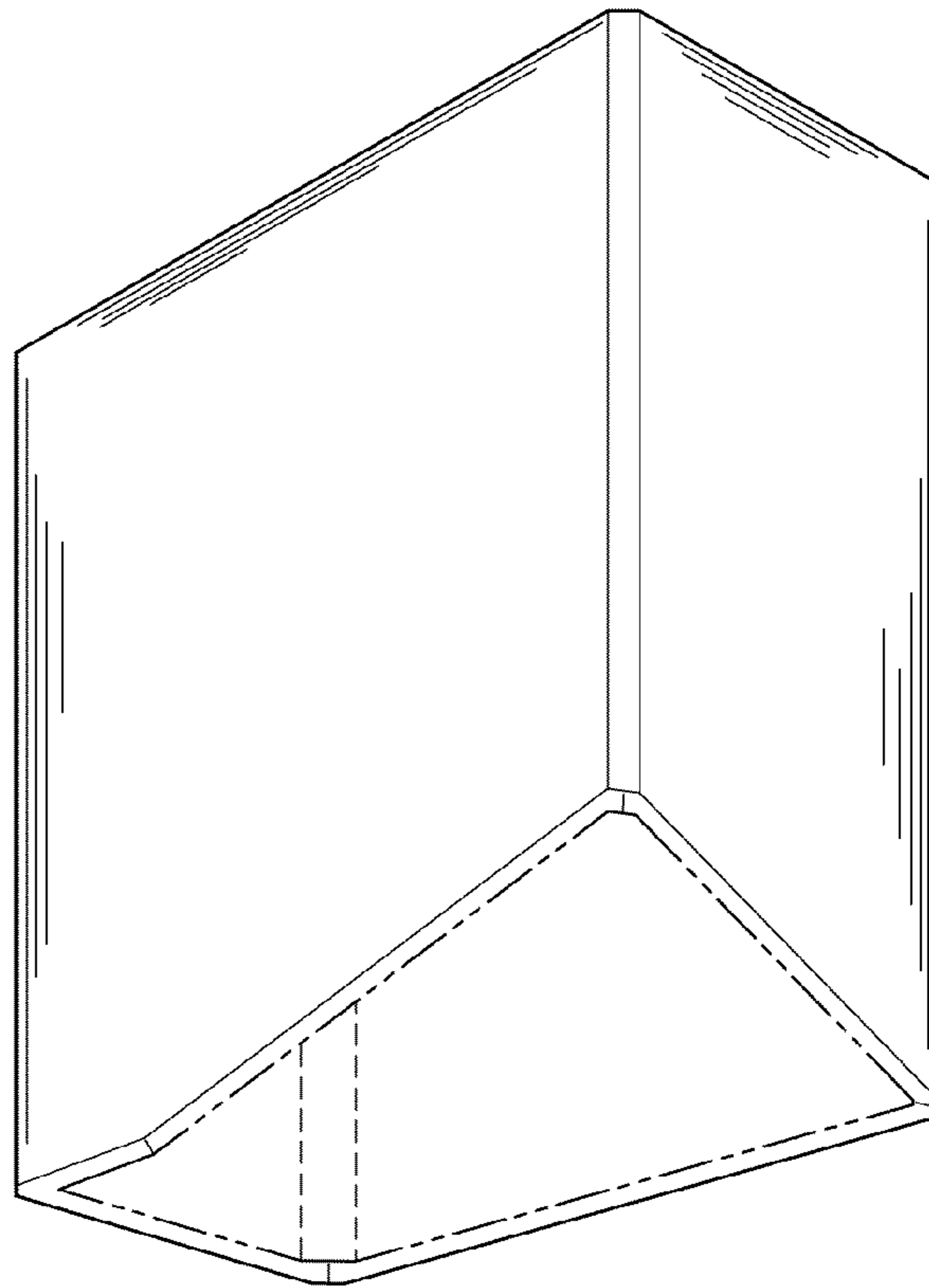


FIG. 10



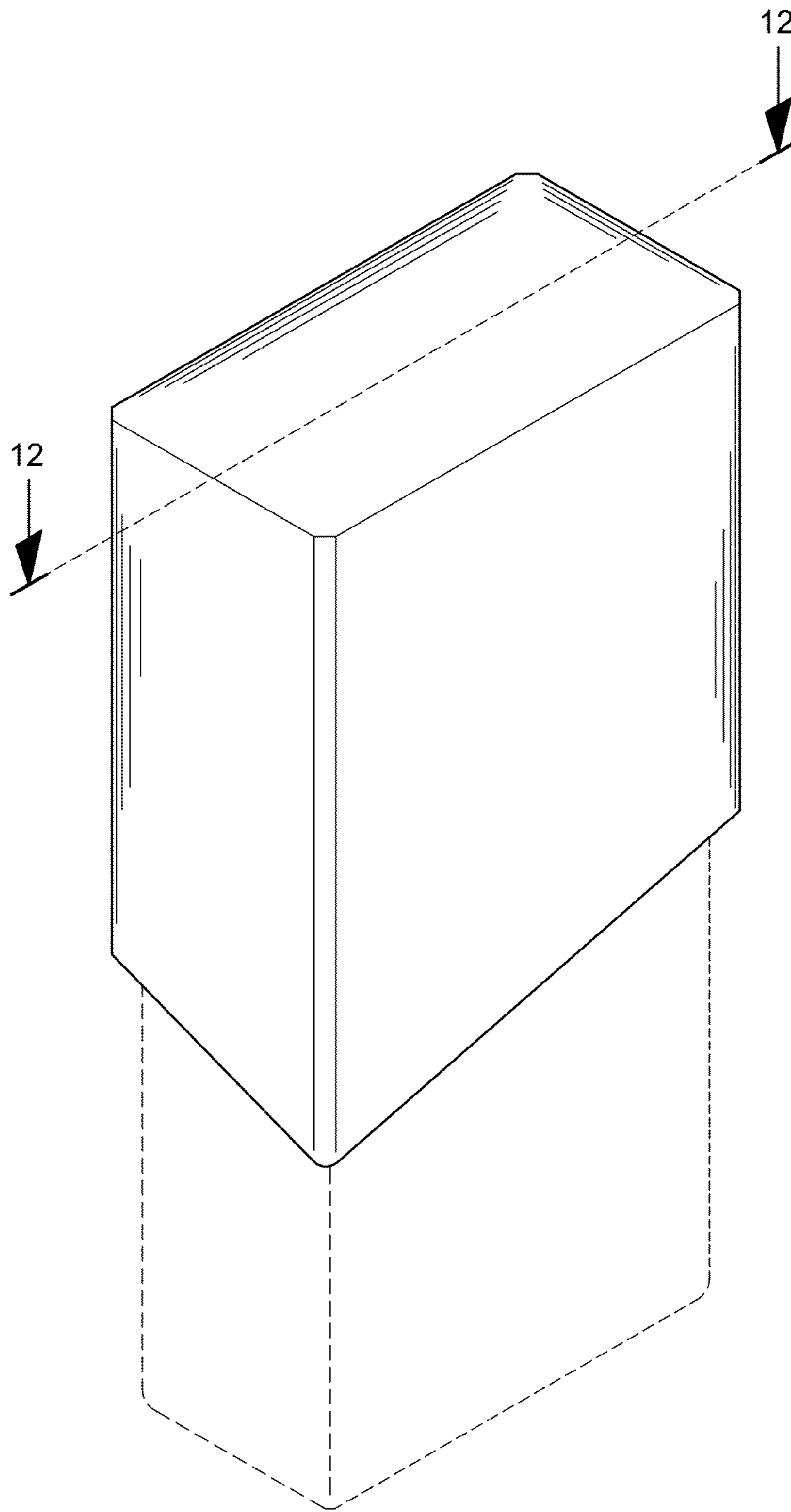


FIG. 11

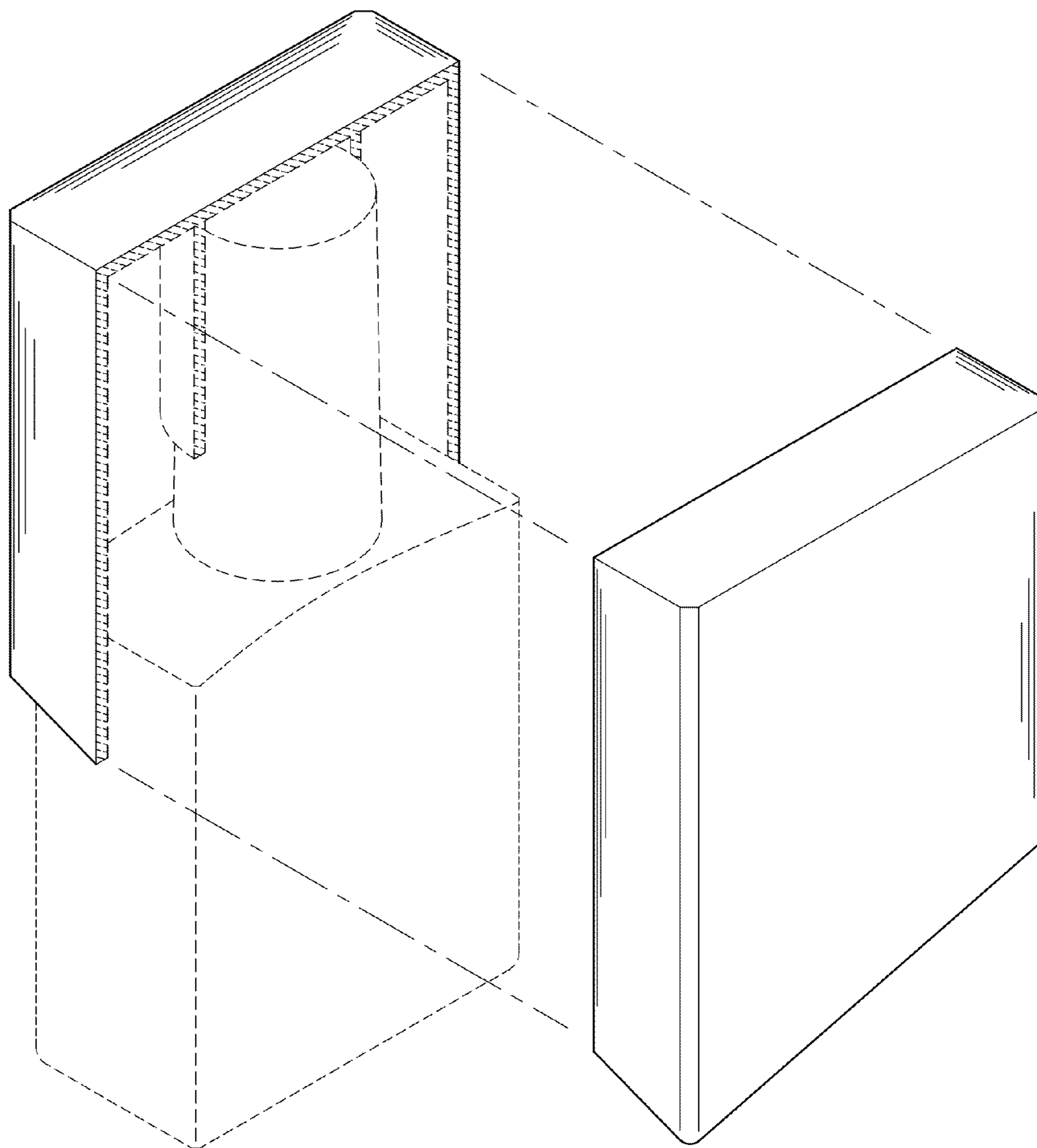


FIG. 12

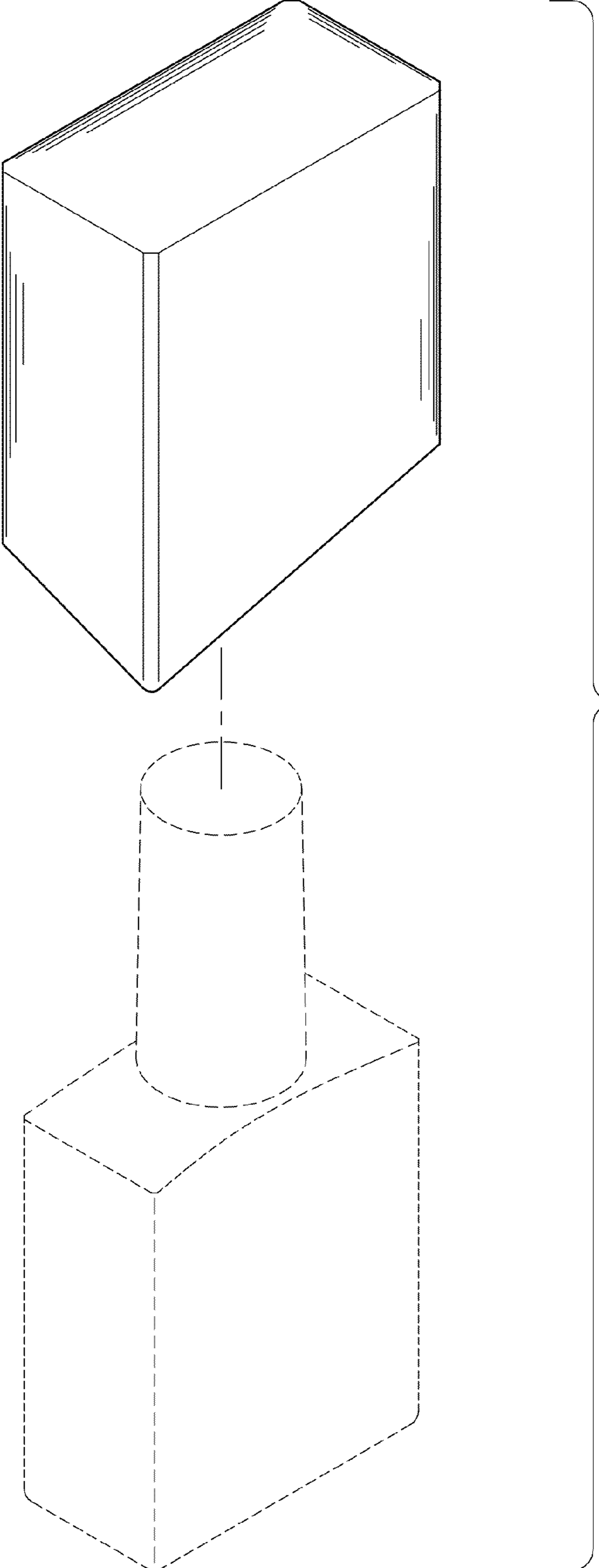


FIG. 13