

US00D750487S

(12) **United States Design Patent**
Marina et al.

(10) **Patent No.:** **US D750,487 S**
(45) **Date of Patent:** **** Mar. 1, 2016**

- (54) **BOTTLE**
- (71) Applicant: **PepsiCo, Inc.**, Purchase, NY (US)
- (72) Inventors: **Carlos Hernan Marina**, Deerfield Beach, FL (US); **Tucker Hamilton Fort**, New York, NY (US); **Morris Elijah Worden, IV**, New York, NY (US); **Joey Miguel Zeledón**, New York, NY (US)
- (73) Assignee: **PepsiCo, Inc.**, Purchase, NY (US)

D289,259 S	4/1987	Strand
D298,592 S	11/1988	Stoop
D313,176 S	12/1990	Okuda et al.
D316,035 S	4/1991	Pepitone
D350,460 S	9/1994	Picozza et al.
5,385,326 A	1/1995	Bidwell
5,626,250 A	5/1997	Dorazio
5,671,586 A	9/1997	Weder
D392,032 S	3/1998	Zaragoza et al.
D406,761 S *	3/1999	Garcia D9/434
D410,364 S	6/1999	Ramirez et al.
D414,238 S	9/1999	Kupperman
D420,850 S	2/2000	Endres

(**) Term: **14 Years**

(Continued)

- (21) Appl. No.: **29/500,945**
- (22) Filed: **Aug. 29, 2014**
- (51) **LOC (10) Cl.** **09-07**
- (52) **U.S. Cl.**
USPC **D9/436**
- (58) **Field of Classification Search**
USPC D9/418, 434-436, 438-440, 443, 445,
D9/447, 454, 455, 499, 733, 738, 766,
D9/767; 215/250; 220/4.27, 521; 222/135,
222/548
CPC B65D 51/2807; B65D 51/2821; B67D
3/0058
See application file for complete search history.

FOREIGN PATENT DOCUMENTS

WO 2013103589 A1 7/2013
Primary Examiner — Robert M Spear
Assistant Examiner — Darcey E Heflin
 (74) *Attorney, Agent, or Firm* — Sterne, Kessler, Goldstein & Fox PLLC

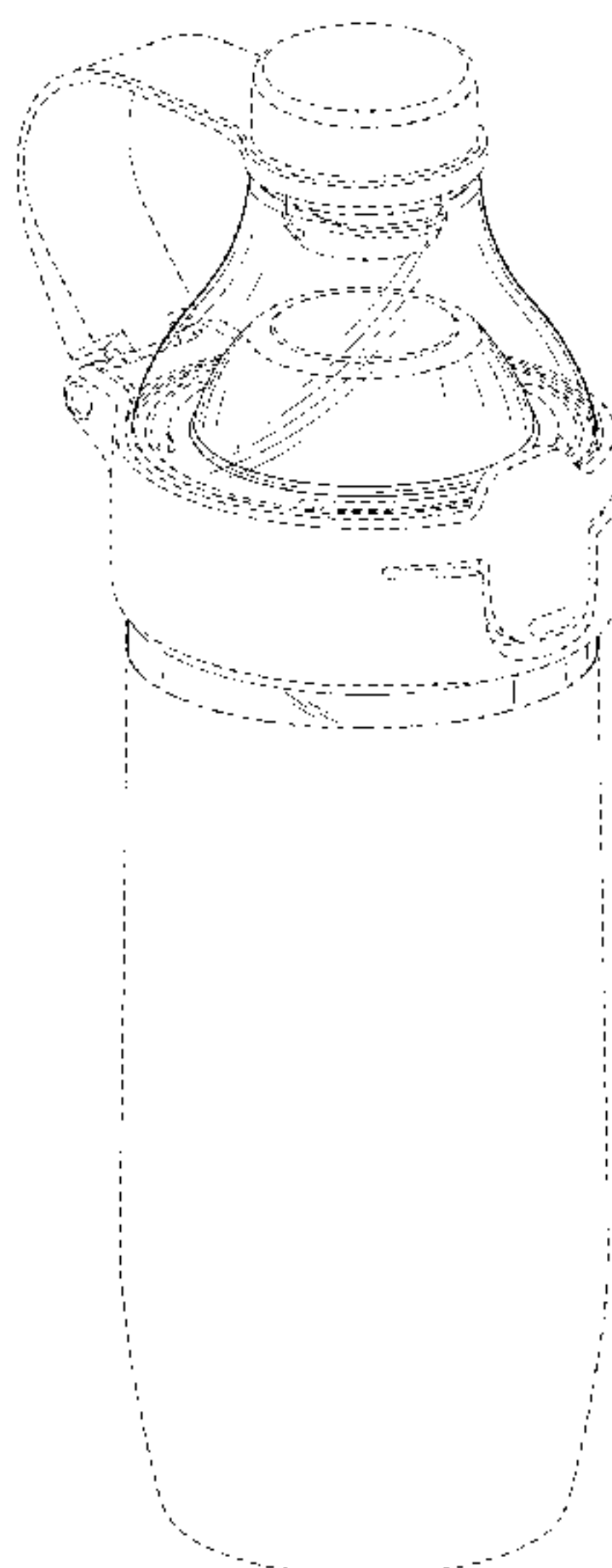
(57) **CLAIM**
The ornamental design for a bottle, as shown and described.

DESCRIPTION

FIG. 1 is a top, front, left perspective view of a bottle showing our new design;
 FIG. 2 is a top, right, rear perspective view thereof;
 FIG. 3 is a front view thereof;
 FIG. 4 is a rear view thereof;
 FIG. 5 is a right side view thereof;
 FIG. 6 is a left side view thereof; and,
 FIG. 7 is a top view thereof.
 In the drawings, the dot-dash broken lines represent unclaimed boundaries of the claimed design. The evenly-spaced broken lines showing the remainder of the bottle are for environmental purposes only and form no part of the claimed design.

- (56) **References Cited**
U.S. PATENT DOCUMENTS
- | | | |
|-------------|--------|---------------|
| D28,746 S | 5/1898 | Blount |
| D30,094 S | 1/1899 | Busch |
| 2,073,636 A | 3/1937 | Holoubek |
| D105,671 S | 8/1937 | Noble |
| 2,930,408 A | 3/1960 | Stevens |
| 2,981,431 A | 4/1961 | Schluttig |
| 3,369,691 A | 2/1968 | Wei |
| D232,915 S | 9/1974 | Becker |
| D235,193 S | 5/1975 | Edwards |
| 4,346,495 A | 8/1982 | Lin |
| D278,033 S | 3/1985 | Borkan et al. |

1 Claim, 7 Drawing Sheets



(56)

References Cited

U.S. PATENT DOCUMENTS

6,105,799 A	8/2000	Takagawa	
6,142,366 A	11/2000	Sagel	
D450,582 S *	11/2001	Adams	D9/438
D455,654 S *	4/2002	Gobe	D9/445
6,405,675 B1	6/2002	Mills	
6,409,035 B1	6/2002	Darr et al.	
6,460,759 B1	10/2002	Lowry et al.	
D470,050 S	2/2003	Renz et al.	
D474,978 S	5/2003	Varlet	
D478,507 S *	8/2003	Poisson	D9/435
D516,915 S	3/2006	Gaines	
D519,396 S	4/2006	Migliorati	
D532,305 S	11/2006	Fellows et al.	
D534,076 S *	12/2006	Green	D9/435
D536,582 S	2/2007	Roth et al.	
D536,614 S *	2/2007	Peterson	D9/454
D539,136 S	3/2007	Limber	
D562,681 S *	2/2008	Blasko	D9/445
D564,877 S *	3/2008	Hood	D9/454
D567,021 S	4/2008	Bach et al.	
D569,685 S	5/2008	Liu	
D572,077 S	7/2008	Duke	
D581,278 S	11/2008	Shibata et al.	
D588,870 S	3/2009	Rasmussen	
D600,973 S	9/2009	Lane	
D610,009 S	2/2010	Prufer	
D622,835 S	8/2010	Mendheim	
D625,183 S	10/2010	Bartsch et al.	
D626,415 S	11/2010	Kolano	
D629,693 S	12/2010	Rica	
D647,364 S	10/2011	Audette et al.	
D650,677 S	12/2011	Wurster et al.	
D655,867 S *	3/2012	Allen	D28/88
D657,665 S	4/2012	Rivera et al.	
D661,549 S	6/2012	Kemper et al.	
D666,908 S *	9/2012	Dabah	D9/445
D668,150 S	10/2012	Crapser et al.	
D671,410 S	11/2012	Asakawa	
D675,102 S	1/2013	Crowe	
D676,717 S	2/2013	Ceder	
8,365,913 B2	2/2013	Ceder	
8,365,941 B2	2/2013	Mayer	
D684,065 S	6/2013	Wiseman	
D688,531 S	8/2013	Ceder	
D689,375 S	9/2013	Garner	
8,579,149 B2	11/2013	Henke et al.	
8,584,879 B2	11/2013	Melrose et al.	
D696,948 S *	1/2014	Kim	D9/454
D697,431 S	1/2014	Baker et al.	
D699,578 S	2/2014	Marina et al.	
D701,767 S	4/2014	Marina et al.	
D702,492 S	4/2014	Marina et al.	
D703,000 S	4/2014	Marina et al.	
D703,487 S	4/2014	Marina et al.	
D707,557 S *	6/2014	Corradini	D9/436
D709,387 S *	7/2014	Marina	D7/300.1
D710,544 S *	8/2014	Shen	D28/77
D710,703 S	8/2014	Marina et al.	
D712,268 S	9/2014	Marina et al.	
D727,171 S *	4/2015	Marina	D7/300.1
D730,111 S	5/2015	Beller	
D730,729 S	6/2015	George	
D730,734 S	6/2015	Rapparini	
D733,967 S *	7/2015	Schlatter	D28/85
2004/0124192 A1	7/2004	Teller	
2007/0084821 A1	4/2007	Bysick et al.	
2010/0055252 A1	3/2010	Marina et al.	
2011/0166910 A1	7/2011	Marina et al.	
2012/0183657 A1	7/2012	Marina et al.	
2013/0103589 A1	4/2013	Cragun et al.	

* cited by examiner

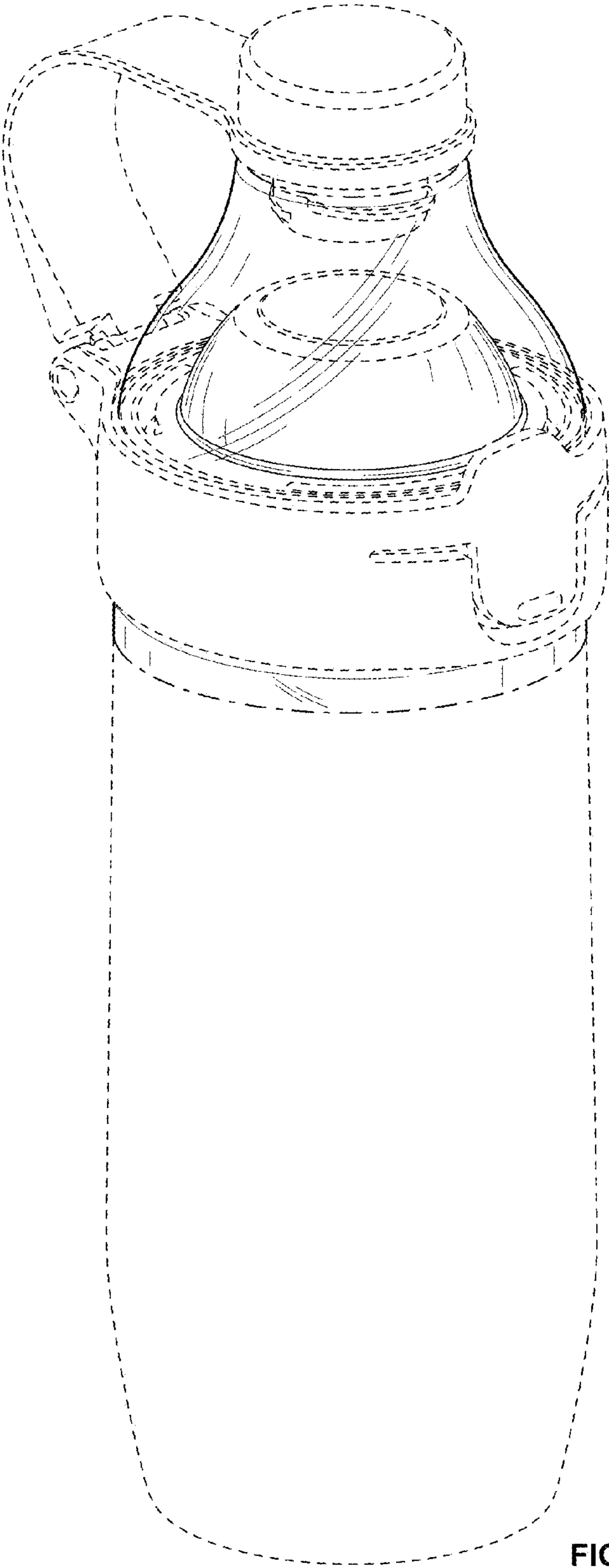


FIG. 1

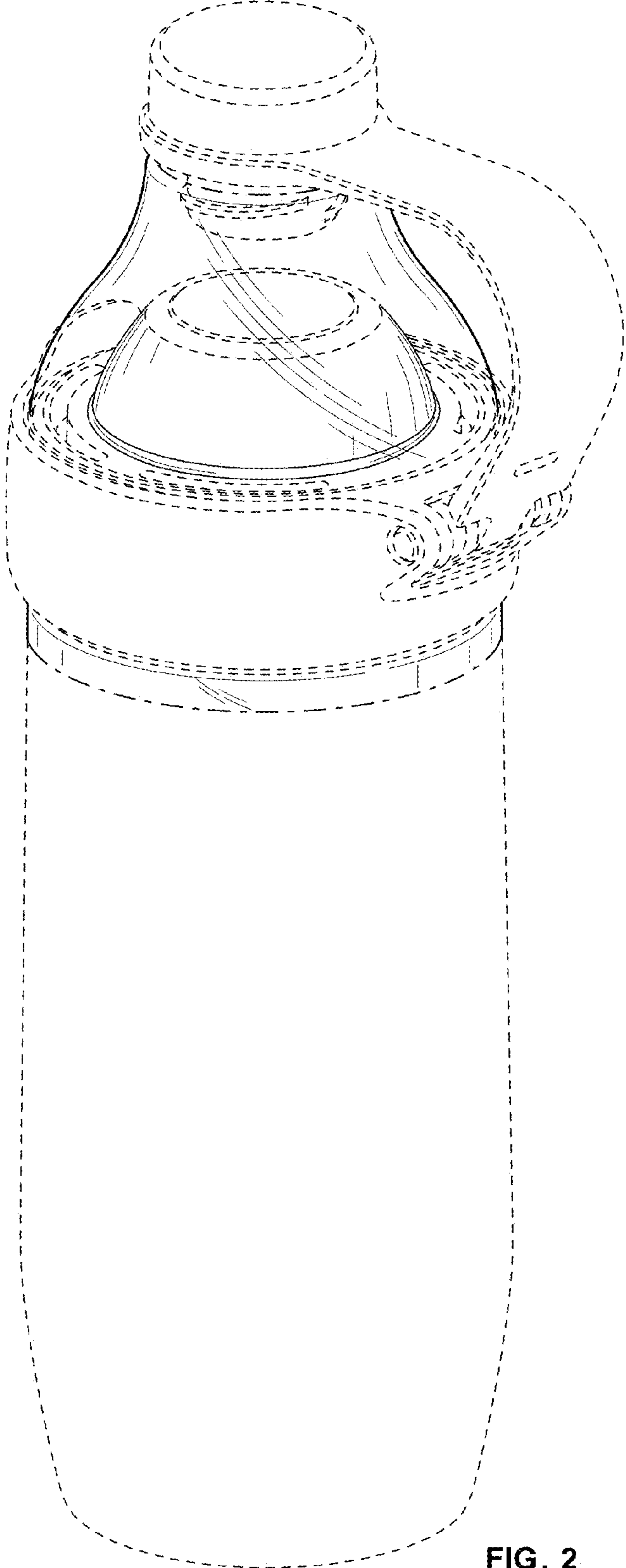


FIG. 2

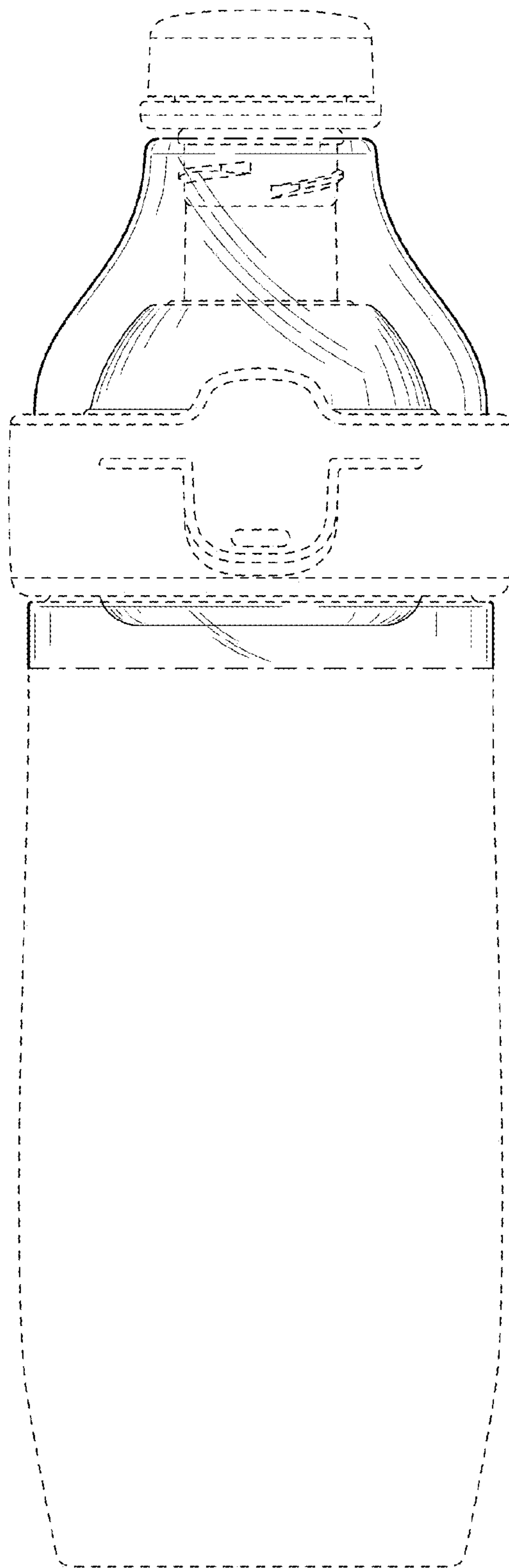


FIG. 3

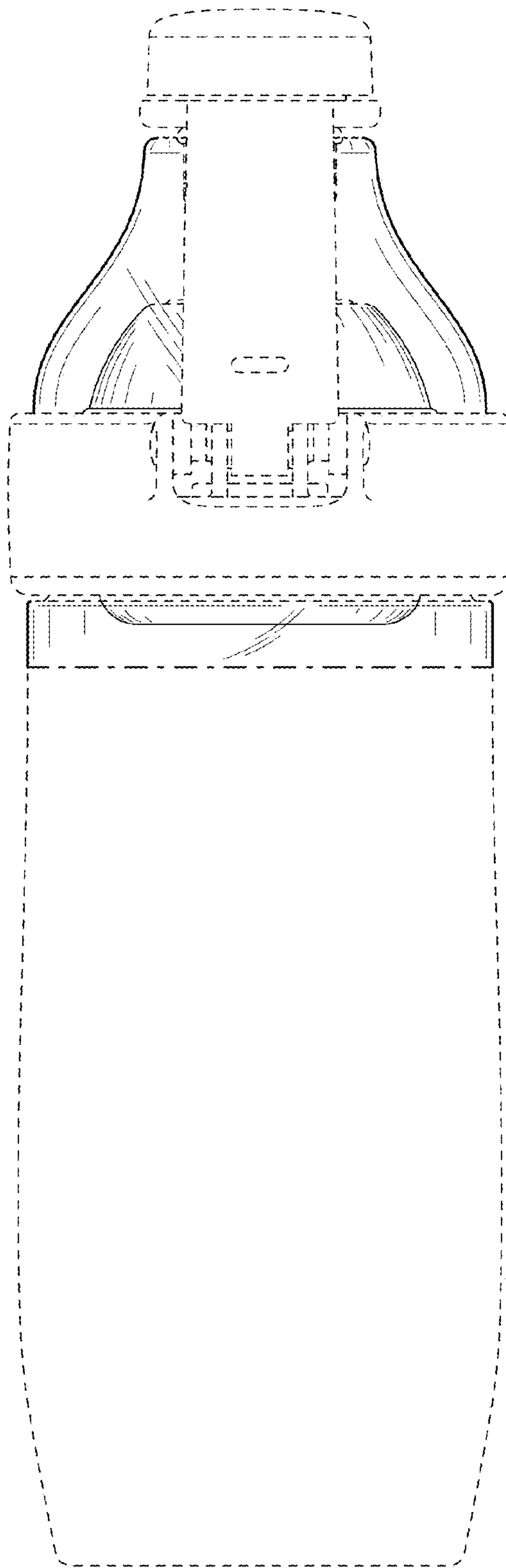


FIG. 4

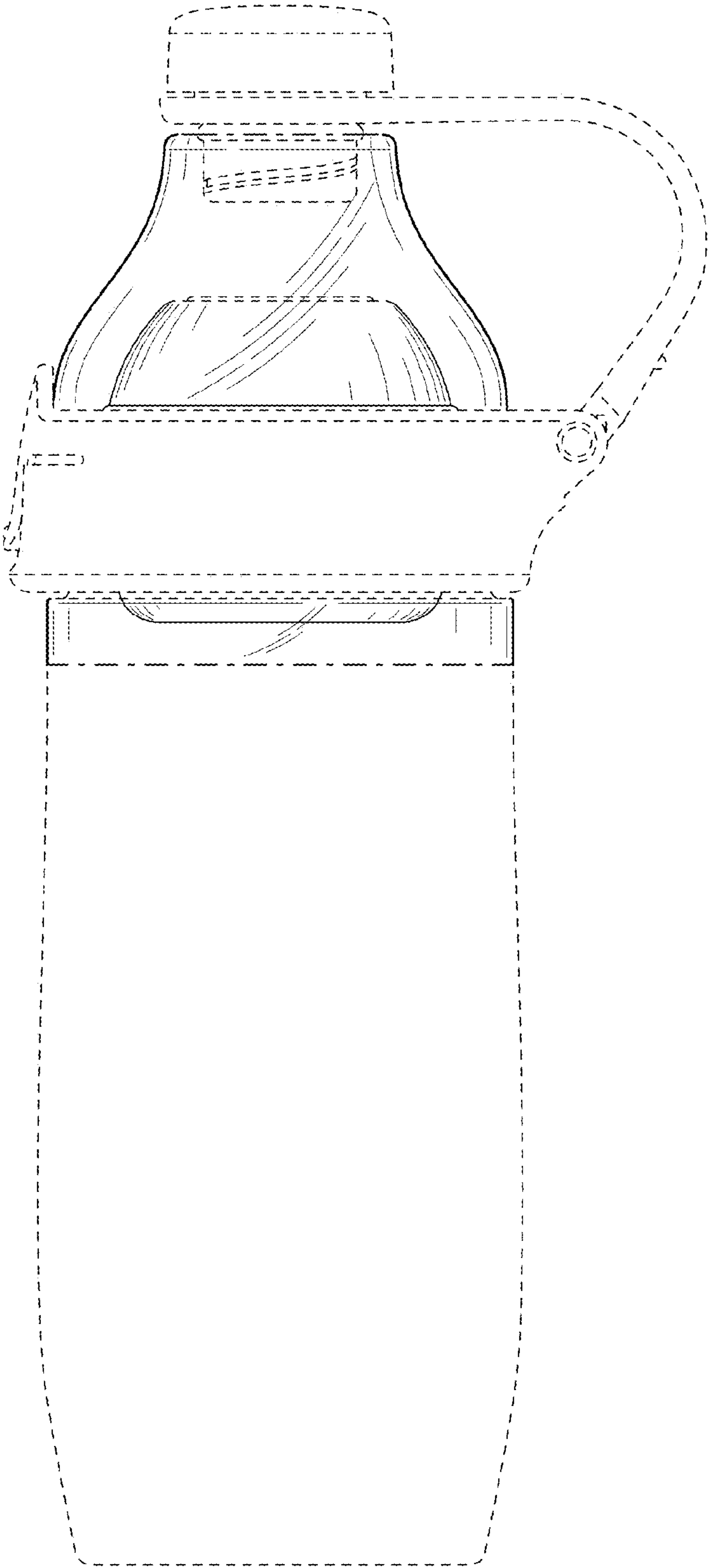


FIG. 5

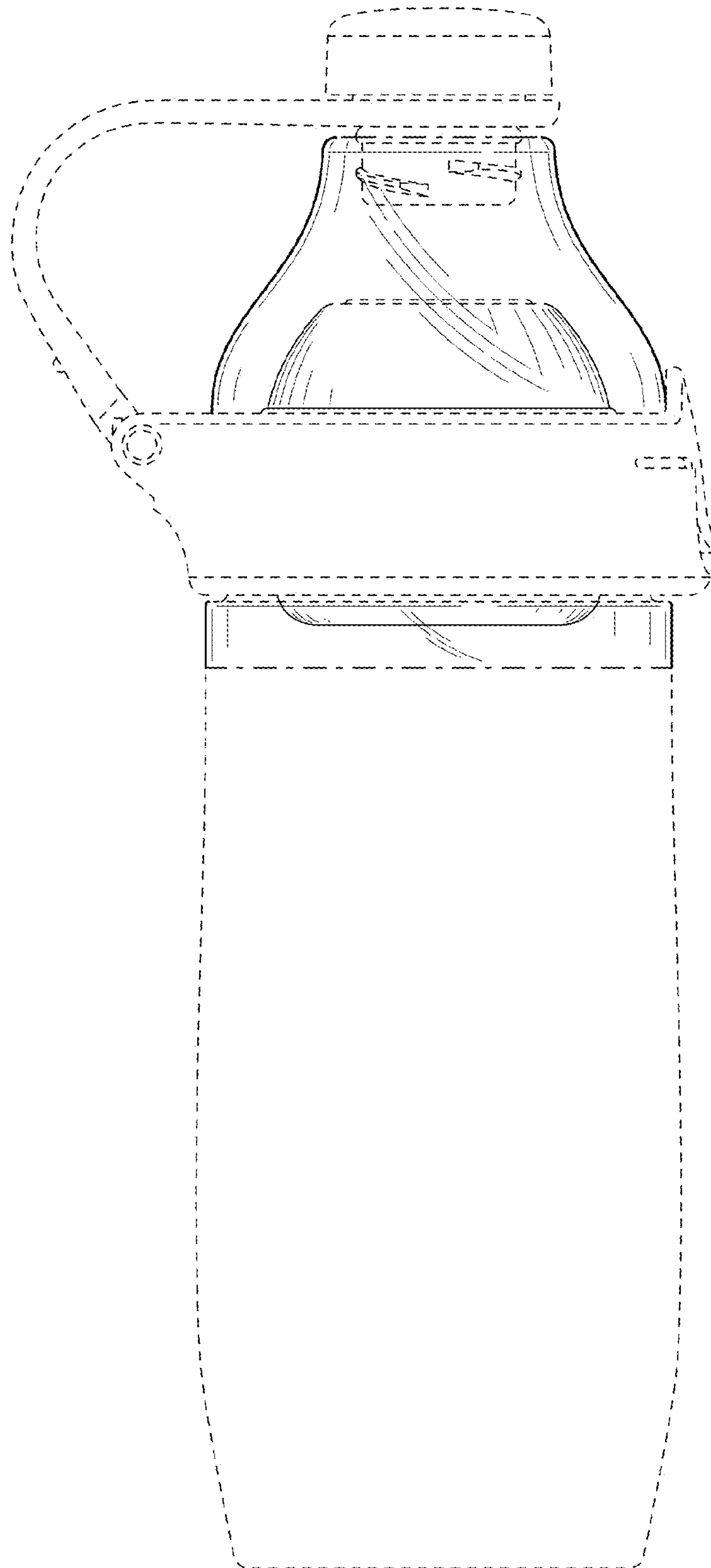


FIG. 6

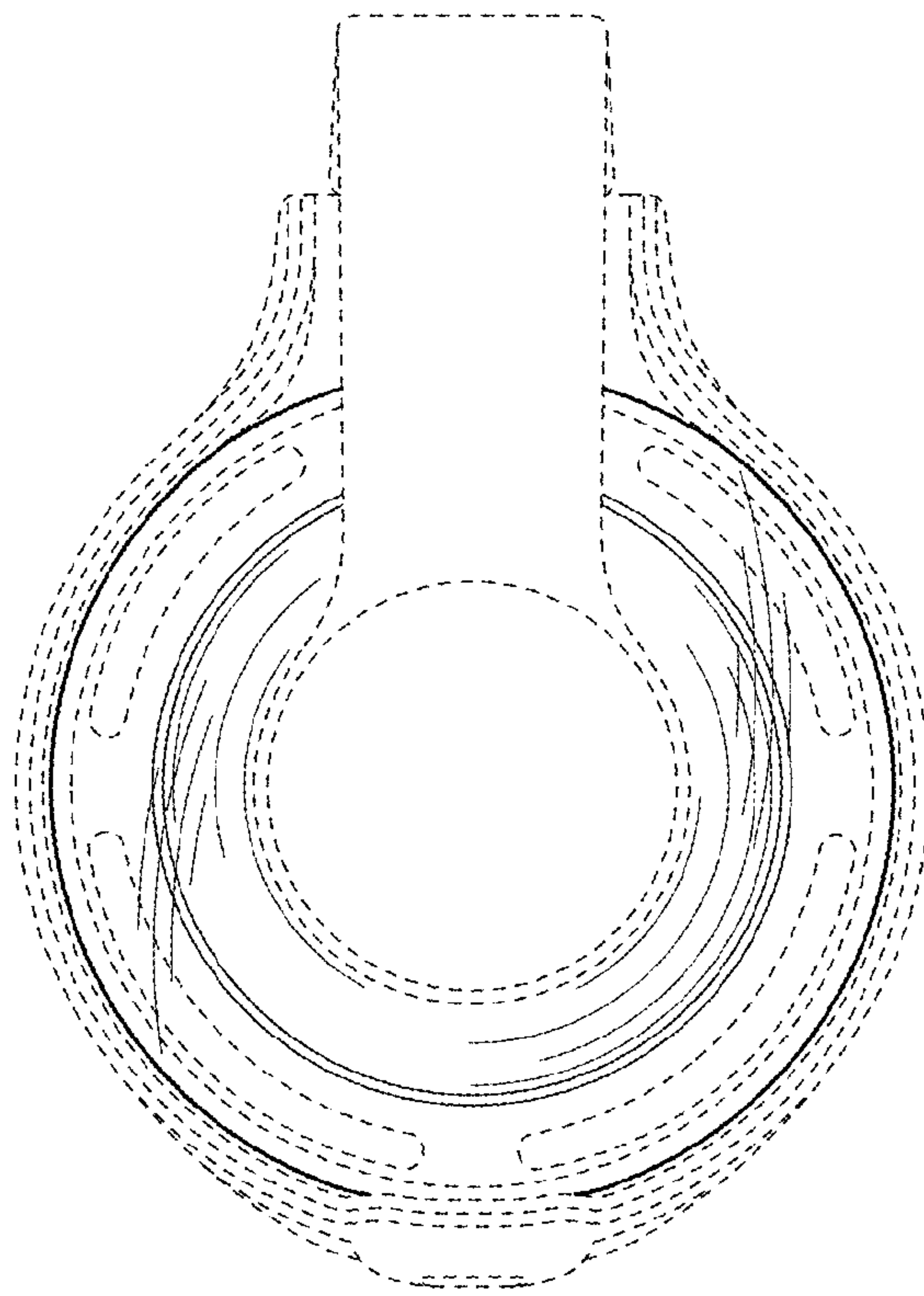


FIG. 7