



US00D750486S

(12) **United States Design Patent**
Conway

(10) **Patent No.:** **US D750,486 S**
(45) **Date of Patent:** **** Mar. 1, 2016**

(54) **BOTTLE CAP**

(56) **References Cited**

(71) Applicant: **S.C. Johnson & Son, Inc.**, Racine, WI
(US)

U.S. PATENT DOCUMENTS

(72) Inventor: **Simon M. Conway**, Burlington, WI
(US)

D84,966 S *	8/1931	Weisenberg	D8/DIG. 2
D291,535 S	8/1987	Lyons		
D302,946 S	8/1989	Cramer		
D352,905 S	11/1994	Beaver et al.		
D390,466 S *	2/1998	Mao	D9/454
D417,847 S *	12/1999	Rush	D7/629
D429,644 S	8/2000	Hughes		
D514,941 S	2/2006	Darr et al.		
D517,415 S	3/2006	Murphy		
D656,401 S	3/2012	Hickey		
D717,650 S *	11/2014	Tamarindo	D9/454
D717,651 S *	11/2014	Marina	D9/454
D731,893 S *	6/2015	Chung	D9/529
D734,550 S *	7/2015	Schlatter	D28/83
D734,638 S *	7/2015	Wahl	D7/392.1

(73) Assignee: **S.C. Johnson & Son, Inc.**, Racine, WI
(US)

(**) Term: **14 Years**

(21) Appl. No.: **29/515,489**

(22) Filed: **Jan. 23, 2015**

OTHER PUBLICATIONS

Picture of Vtg Chilton Gas Can 2 Gallon Red Plastic Jug, eBay, Nov. 14, 2013.

Related U.S. Application Data

(62) Division of application No. 29/472,848, filed on Nov. 15, 2013, now Pat. No. Des. 724,949.

* cited by examiner

(51) **LOC (10) Cl.** **09-01**

Primary Examiner — Keli L Hill

(52) **U.S. Cl.**
USPC **D9/435**

(57) **CLAIM**

(58) **Field of Classification Search**
USPC D9/434, 435, 454, 529; 215/381–385;
220/660, 669, 679, 752
CPC B65D 1/023; B65D 1/0223; B65D 1/165;
B65D 1/40; B65D 1/44; B65D 7/04; B65D
25/00; B65D 25/28; B65D 41/0457; B65D
41/17; B65D 53/06; B65D 75/56; B65D
79/005; B65D 2501/0036; B65D 2543/00064;
B65D 2543/00074; B65D 2543/00083; B65D
2543/00092; B65D 2543/00101; B65D
2543/00111

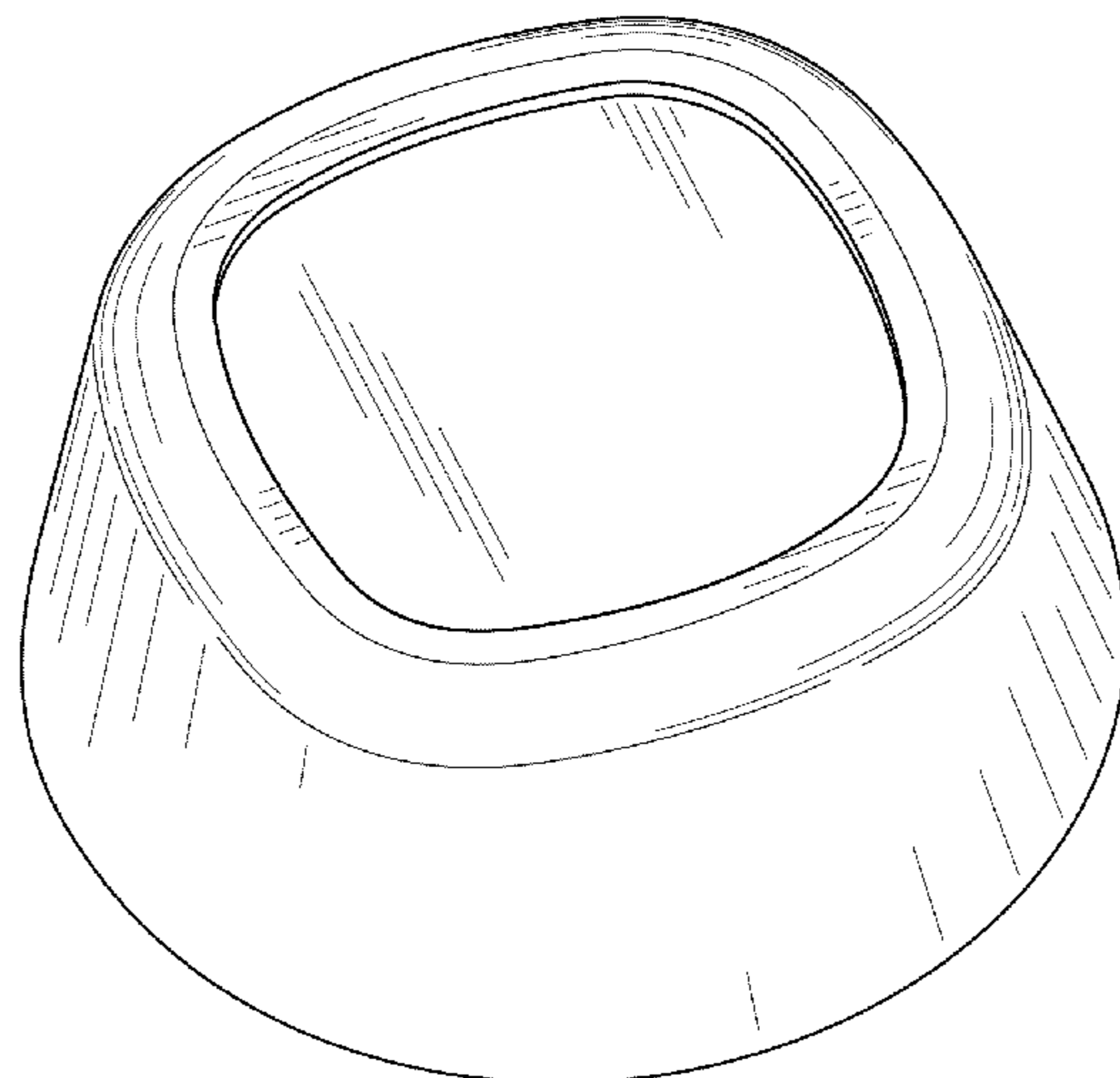
The ornamental design for a bottle cap, as shown and described.

DESCRIPTION

FIG. 1 is an isometric view of a front, top, and left side of an ornamental design for a bottle cap;
FIG. 2 is a left side elevational view of the cap of FIG. 1, the right side, front, and rear elevational views being the same as FIG. 2;
FIG. 3 is a top plan view of the cap of FIG. 1; and,
FIG. 4 is a bottom plan view of the cap of FIG. 1.
The broken line showings of the bottle cap bottom in FIG. 4 are included for the purpose of illustrating unclaimed portions of the bottle cap and form no part of the claimed design.

See application file for complete search history.

1 Claim, 2 Drawing Sheets



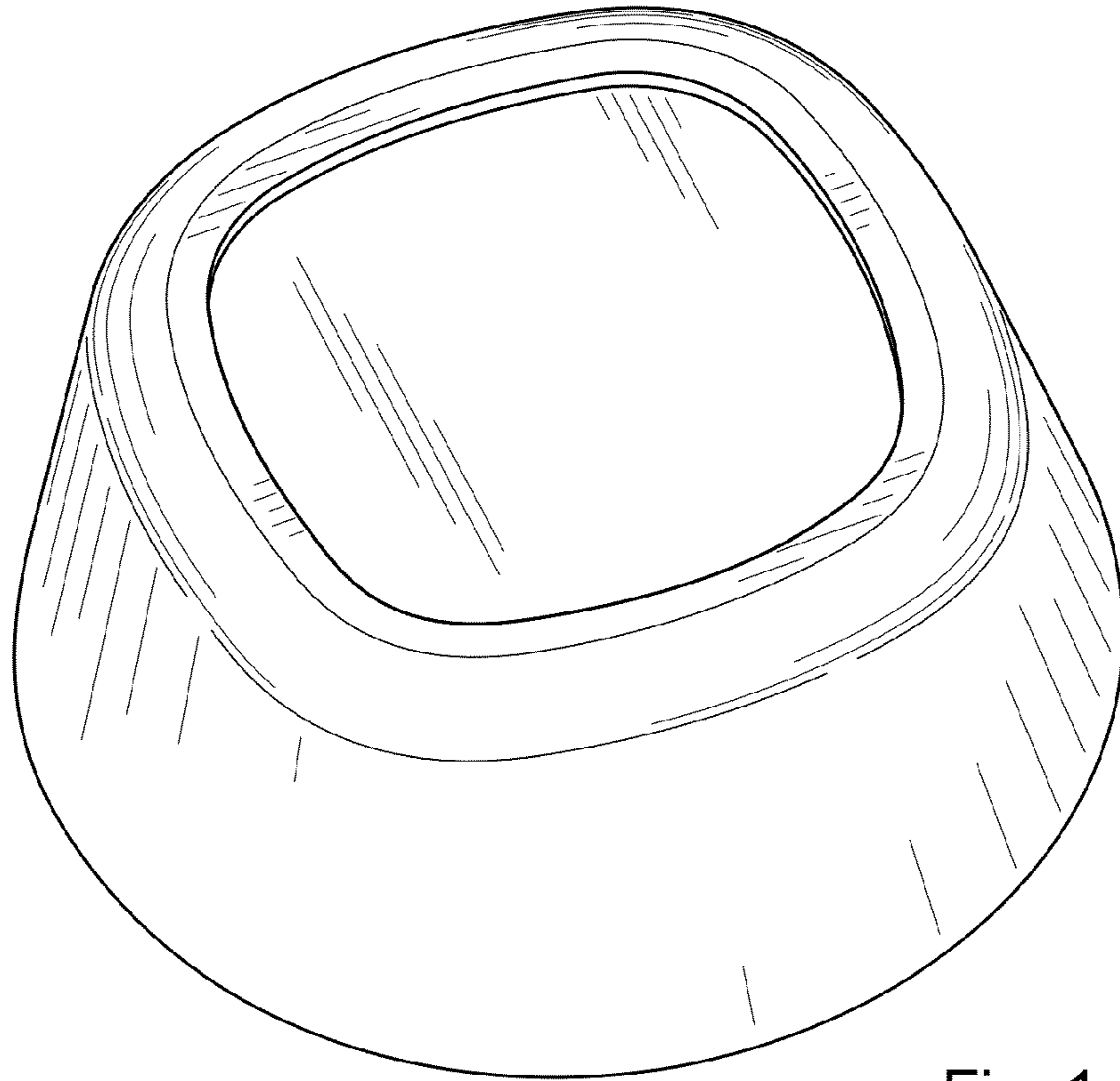


Fig. 1

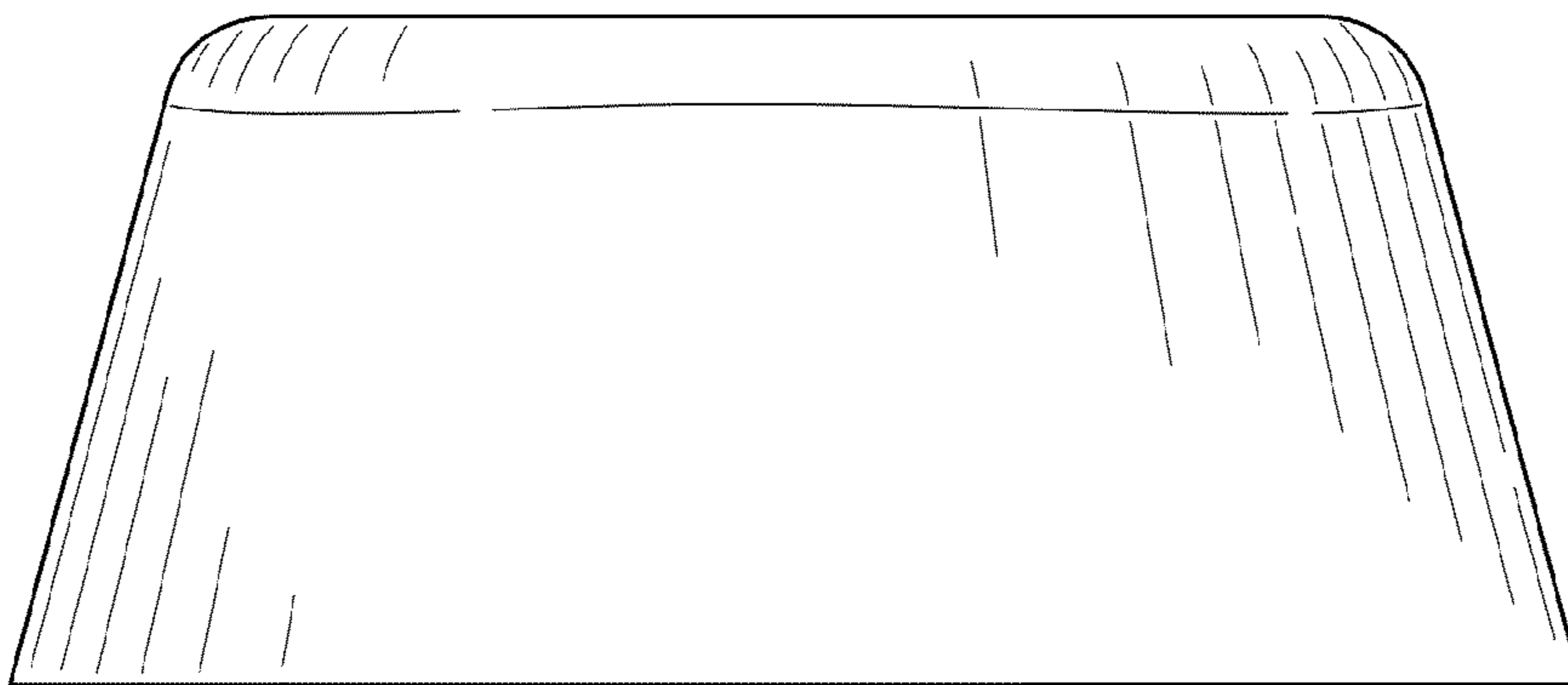


Fig. 2

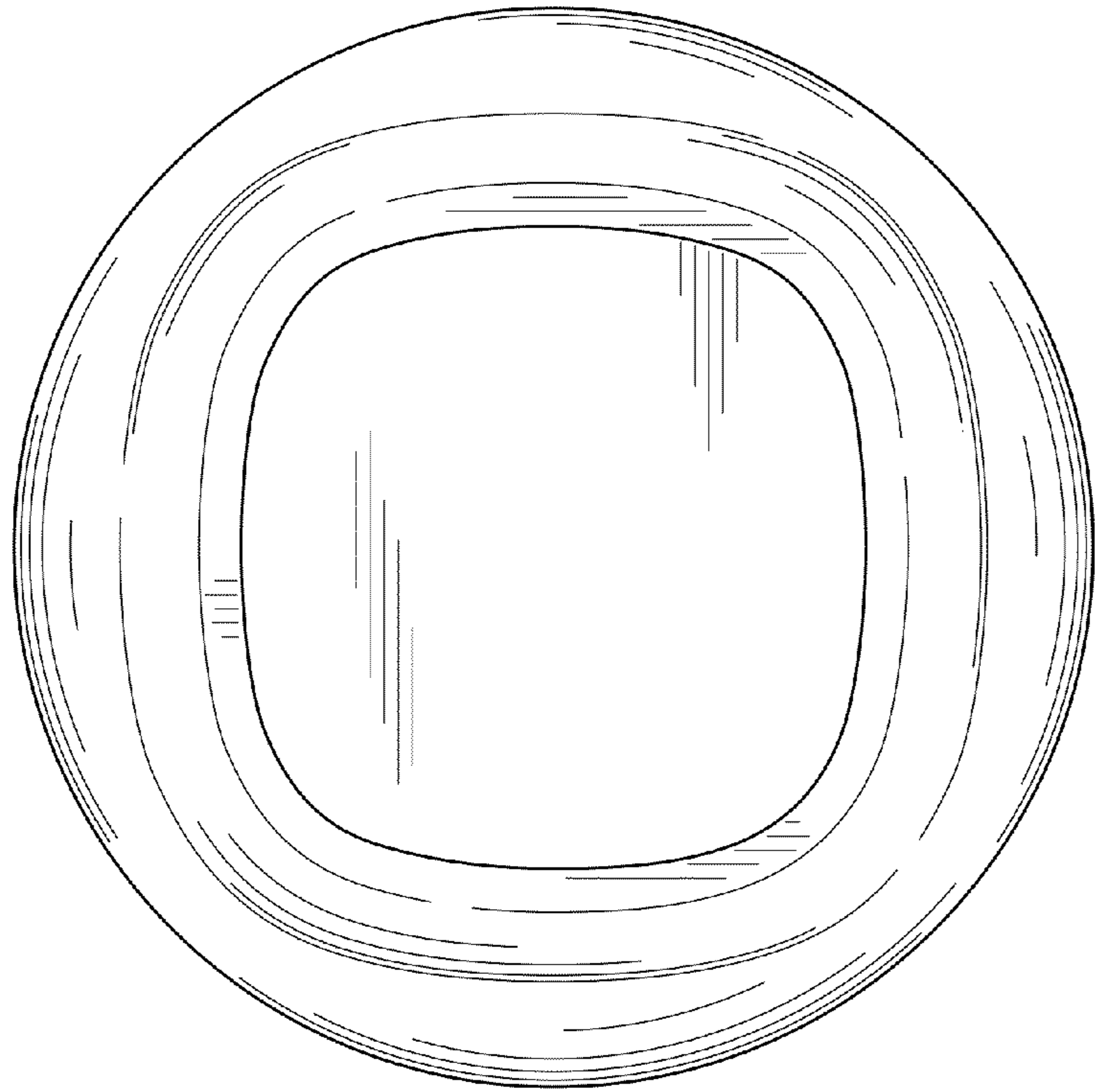


Fig. 3

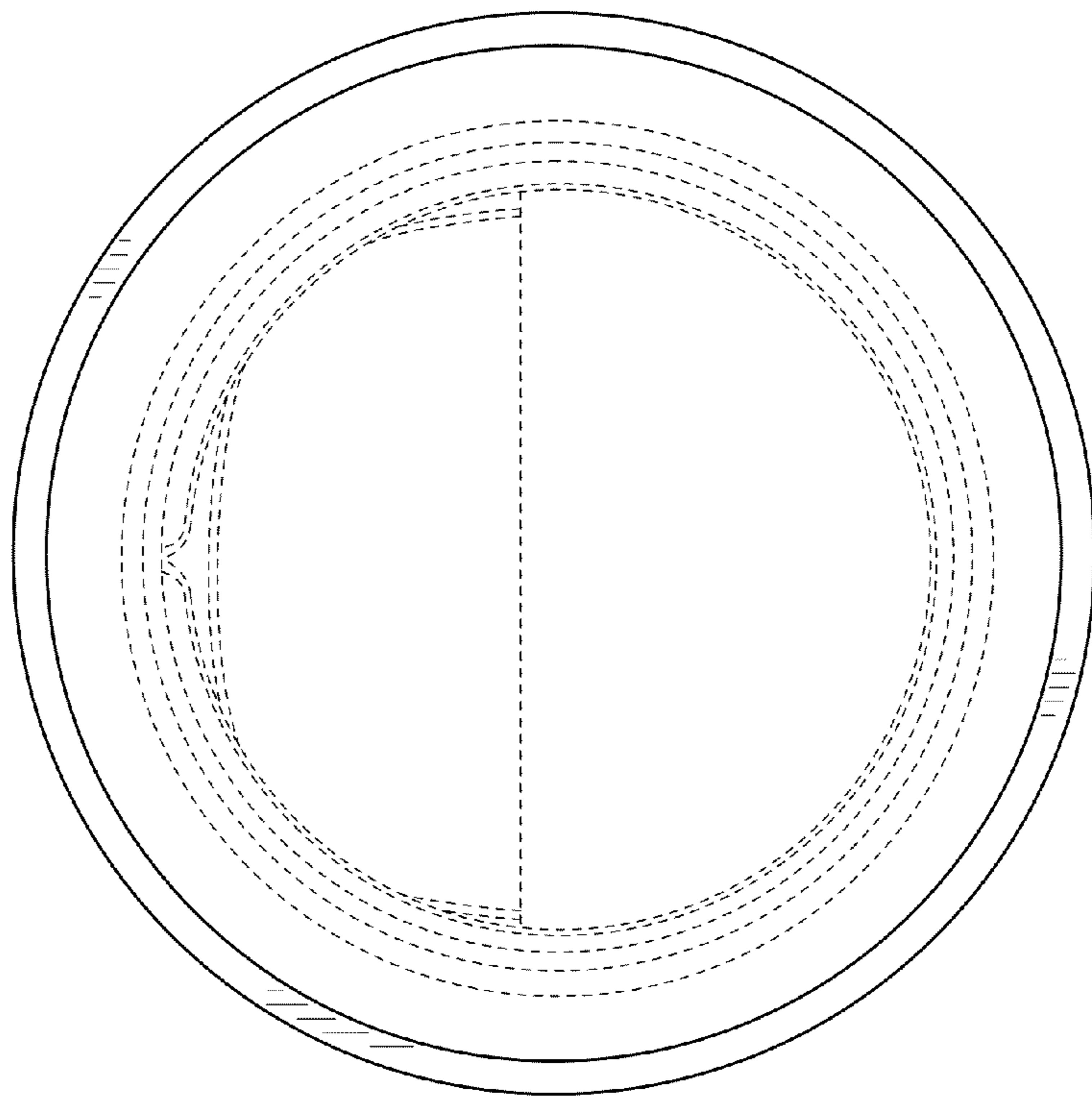


Fig. 4