



US00D750478S

(12) **United States Design Patent**
Kiss

(10) **Patent No.:** **US D750,478 S**

(45) **Date of Patent:** **** Mar. 1, 2016**

(54) **FOLDING CONTAINER**

(71) Applicant: **Tile, Inc.**, San Mateo, CA (US)

(72) Inventor: **Sándor Kiss**, Petaluma, CA (US)

(73) Assignee: **Tile, Inc.**, San Mateo, CA (US)

(**) Term: **14 Years**

(21) Appl. No.: **29/486,823**

(22) Filed: **Apr. 2, 2014**

(51) **LOC (10) Cl.** **09-03**

(52) **U.S. Cl.**
USPC **D9/423**; D9/432

(58) **Field of Classification Search**
USPC D9/414, 420-423, 432, 456; 229/103.2;
220/4.26; 206/321, 322, 449, 450, 472,
206/473; D6/634; D28/78, 83
CPC .. B65D 85/48; B65D 5/0245; B65D 77/0433;
B65D 85/46

See application file for complete search history.

(56) **References Cited**

U.S. PATENT DOCUMENTS

633,360	A *	9/1899	Ferres	206/454
1,715,533	A *	6/1929	Bowersock	206/449
1,719,648	A *	7/1929	Browne	206/321
1,878,813	A *	9/1932	Block et al.	206/450
2,264,300	A *	12/1941	Davies	A45D 33/26 132/296
2,878,933	A *	3/1959	Sager	206/322
3,586,234	A *	6/1971	Nathan et al.	206/454
3,939,978	A *	2/1976	Thomaswick	206/454
4,401,258	A *	8/1983	Buchler	229/92.8
4,429,791	A *	2/1984	Ruppel et al.	206/454
4,479,318	A *	10/1984	Russell	40/788
4,589,552	A *	5/1986	Chevalier	206/784
4,674,633	A *	6/1987	Steadman	206/784
D362,367	S *	9/1995	Olsson	D6/632
D369,548	S *	5/1996	Adams	D9/418
D373,724	S *	9/1996	Adams	D9/418
D398,527	S *	9/1998	Maceachern et al.	D9/432
D409,801	S *	5/1999	Kim	D28/83

D420,586	S *	2/2000	MacEachern et al.	D9/432
D421,568	S *	3/2000	Ferguson et al.	D9/701
6,594,973	B1 *	7/2003	Alpert et al.	53/435
D620,352	S *	7/2010	Liipola et al.	D9/432
D635,714	S *	4/2011	Rojas	D27/175

OTHER PUBLICATIONS

TrackR, 2014, Phone Halo Inc., 5 pages, [Online] [Retrieved on Jul. 24, 2014] Retrieved from the Internet<URL:http://www.thetrackr.com/>.

* cited by examiner

Primary Examiner — Dana L Meyrow

Assistant Examiner — Keith Frank

(74) *Attorney, Agent, or Firm* — Fenwick & West LLP

(57) **CLAIM**

We claim the ornamental design for a folding container, as shown and described.

DESCRIPTION

FIG. 1 is a perspective view of the folding container showing my new design.

FIG. 2 is a top plan view thereof.

FIG. 3 is a front elevational view thereof, the rear being a mirror image.

FIG. 4 is a left side elevational view thereof.

FIG. 5 is a right side elevational view thereof.

FIG. 6 is a perspective view thereof, shown in an open configuration.

FIG. 7 is a top plan view thereof.

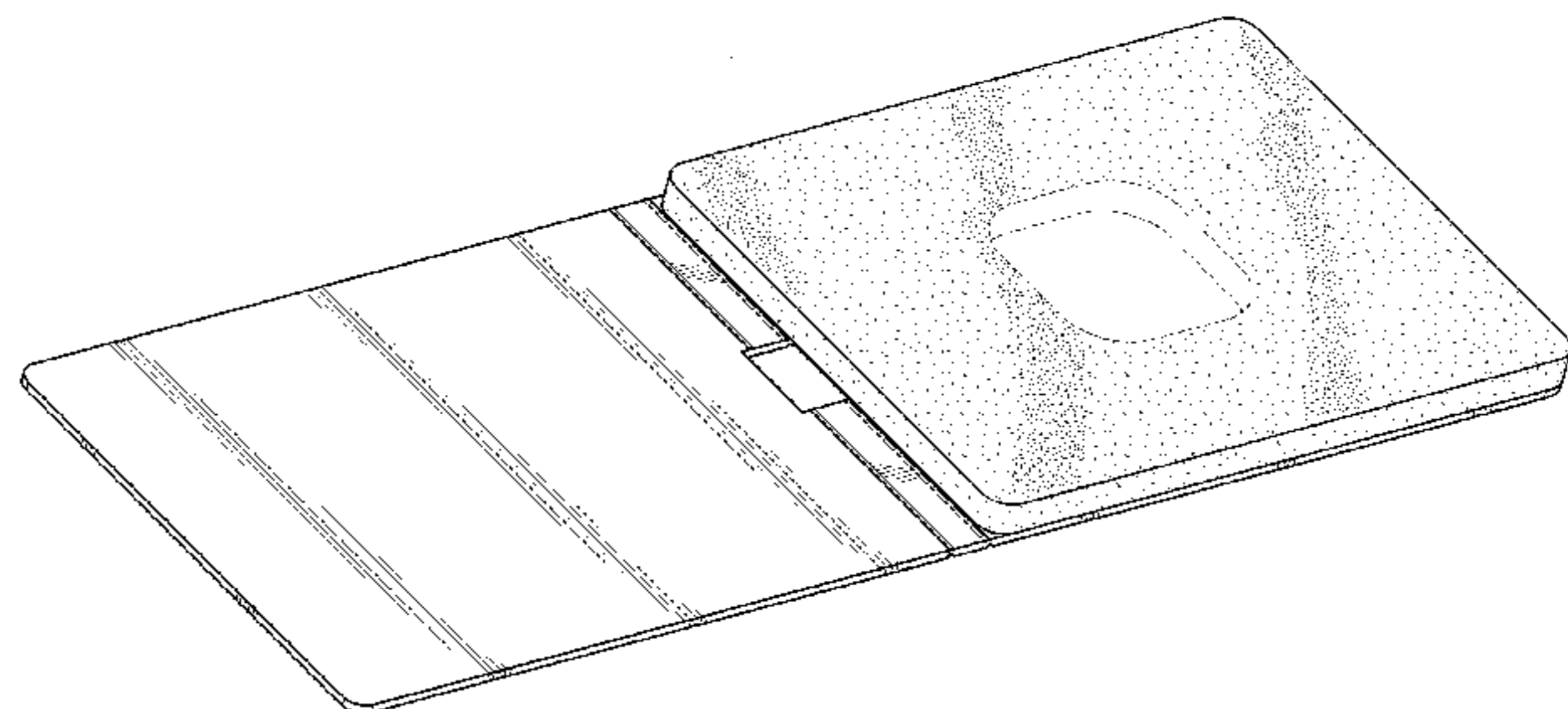
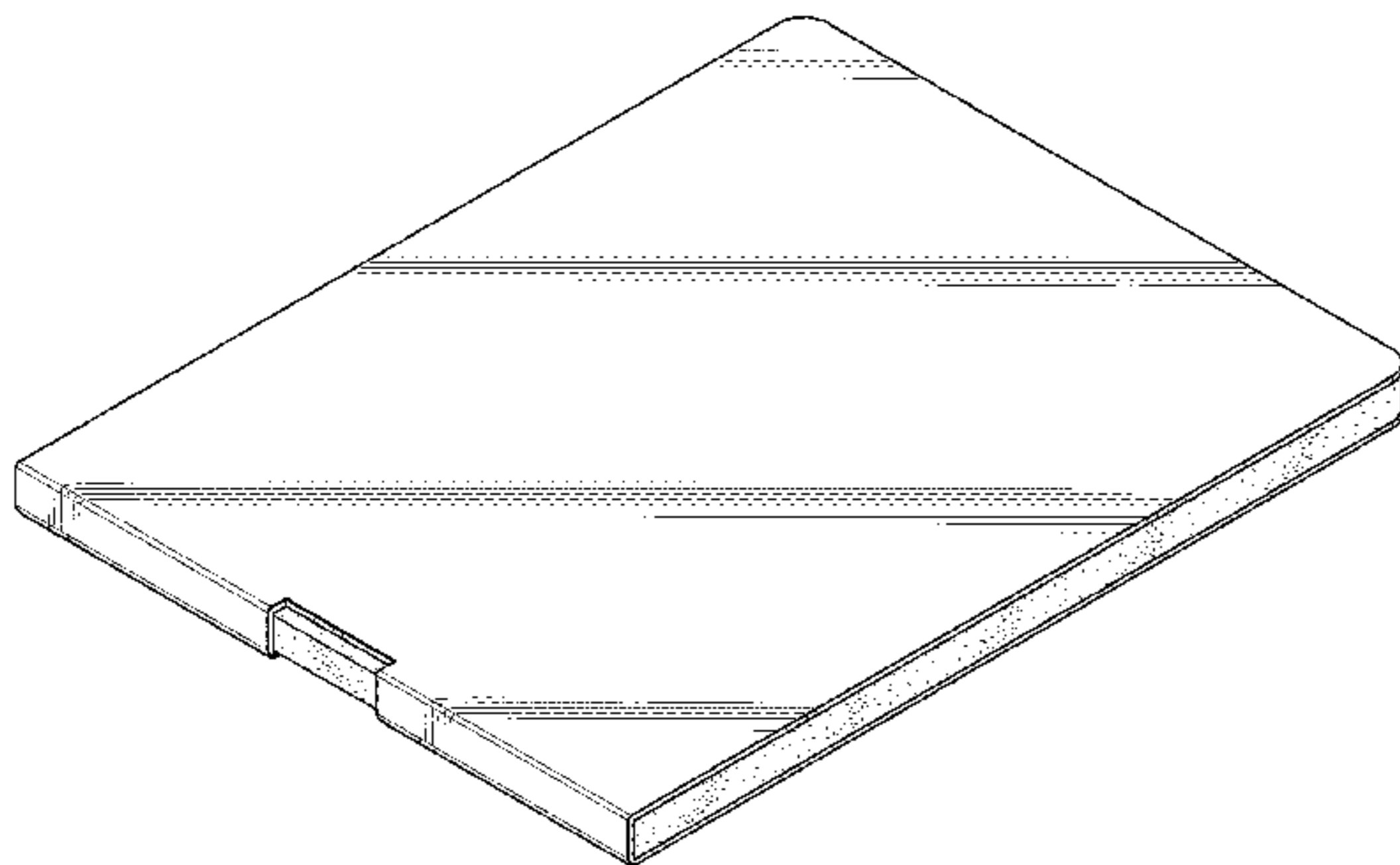
FIG. 8 is a front elevational thereof, the rear elevational view being a mirror image.

FIG. 9 is a left side elevational view thereof, the right side elevational view being a mirror image; and,

FIG. 10 is a bottom plan view thereof.

The stipple shading and the straight line shading in the drawings illustrate a contrasting appearance. The broken lines in the drawings illustrate the portions of the folding container that form no part of the claim.

1 Claim, 5 Drawing Sheets



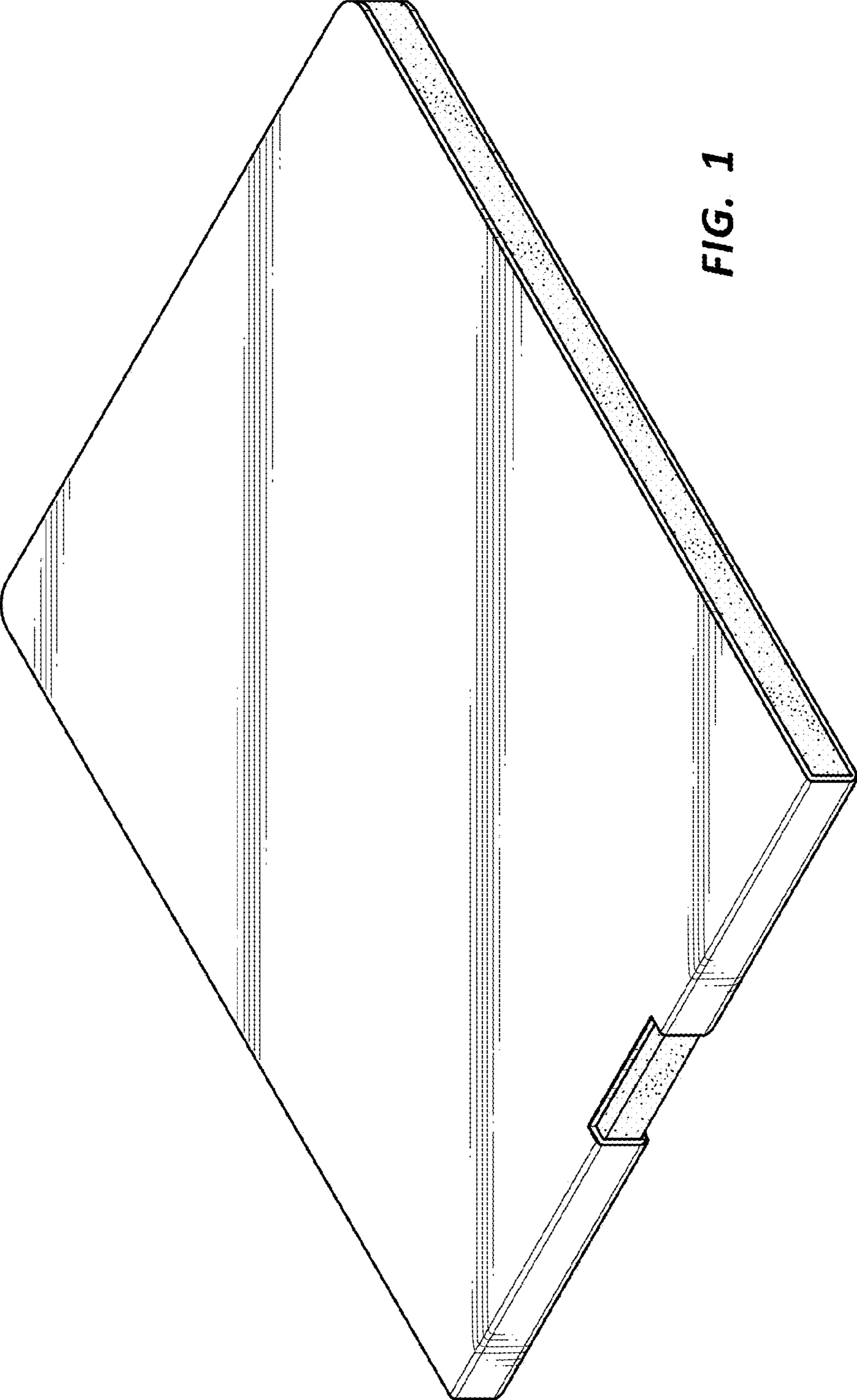


FIG. 1

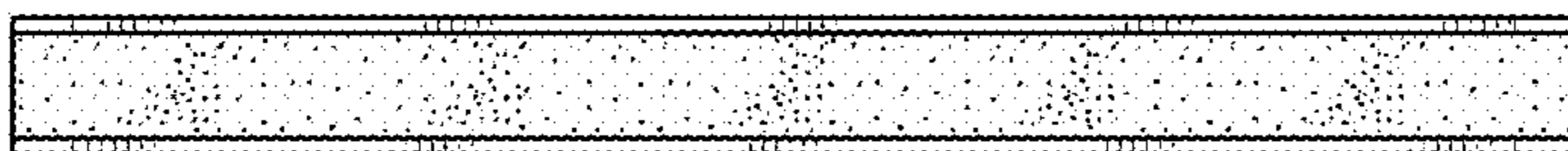


FIG. 5

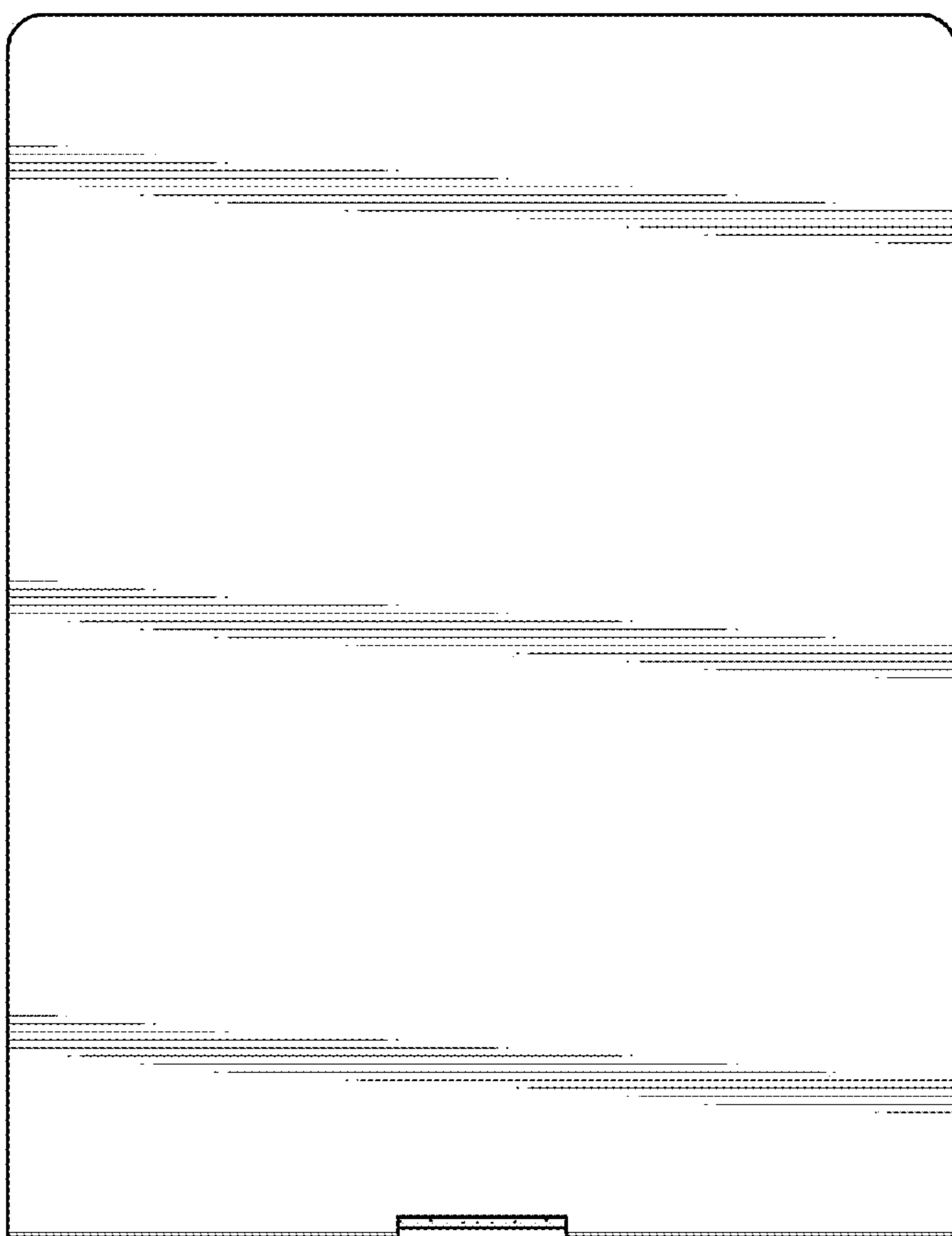


FIG. 2

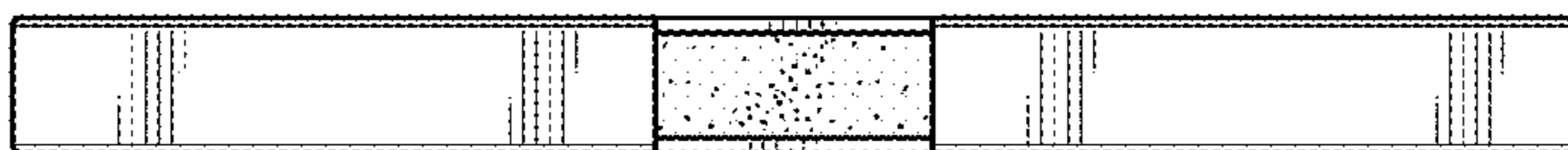


FIG. 4

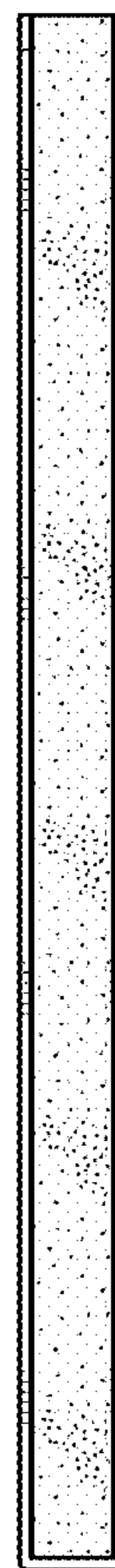


FIG. 3

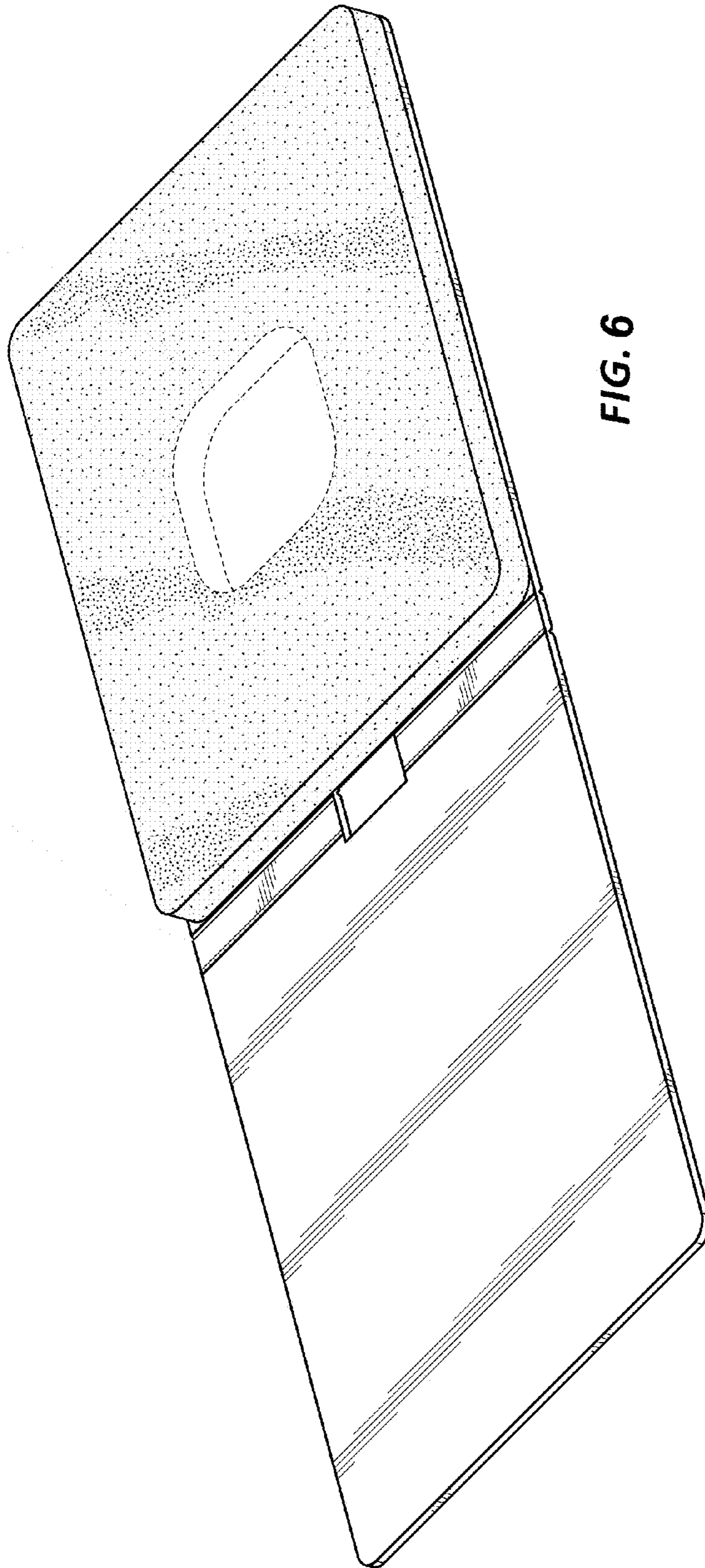


FIG. 6

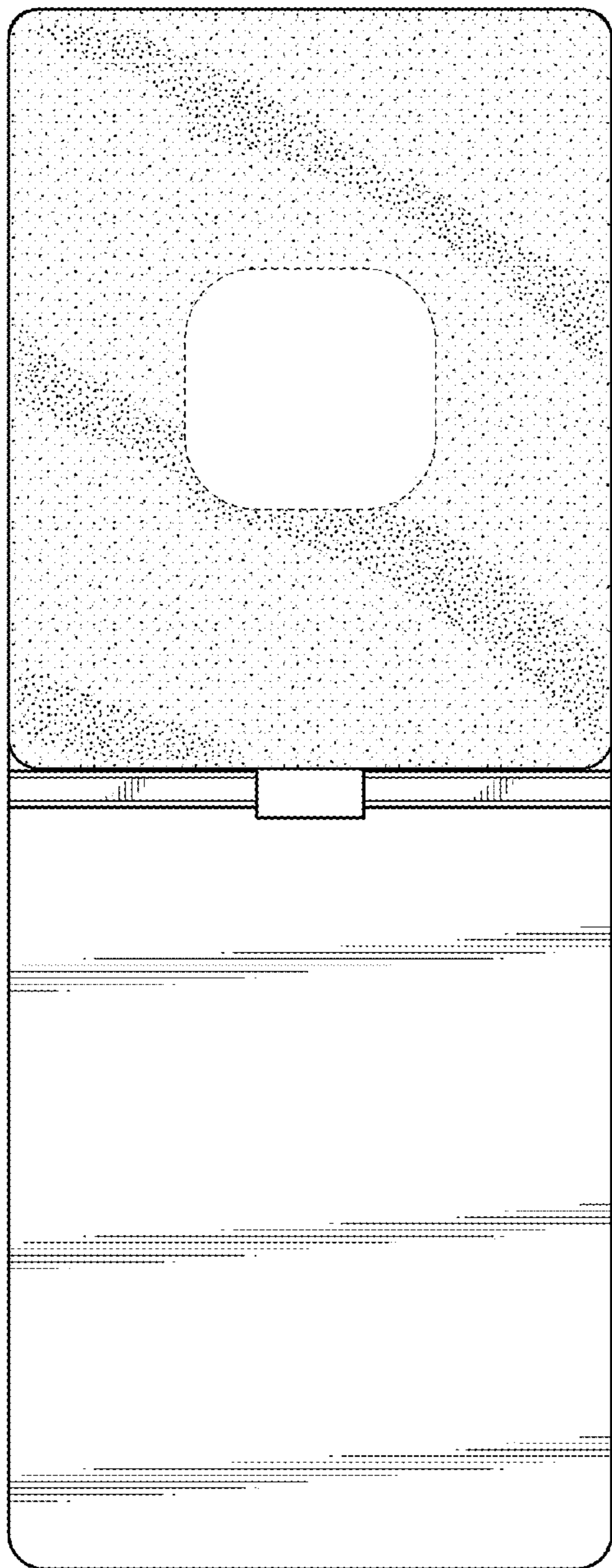


FIG. 7



FIG. 8



FIG. 9

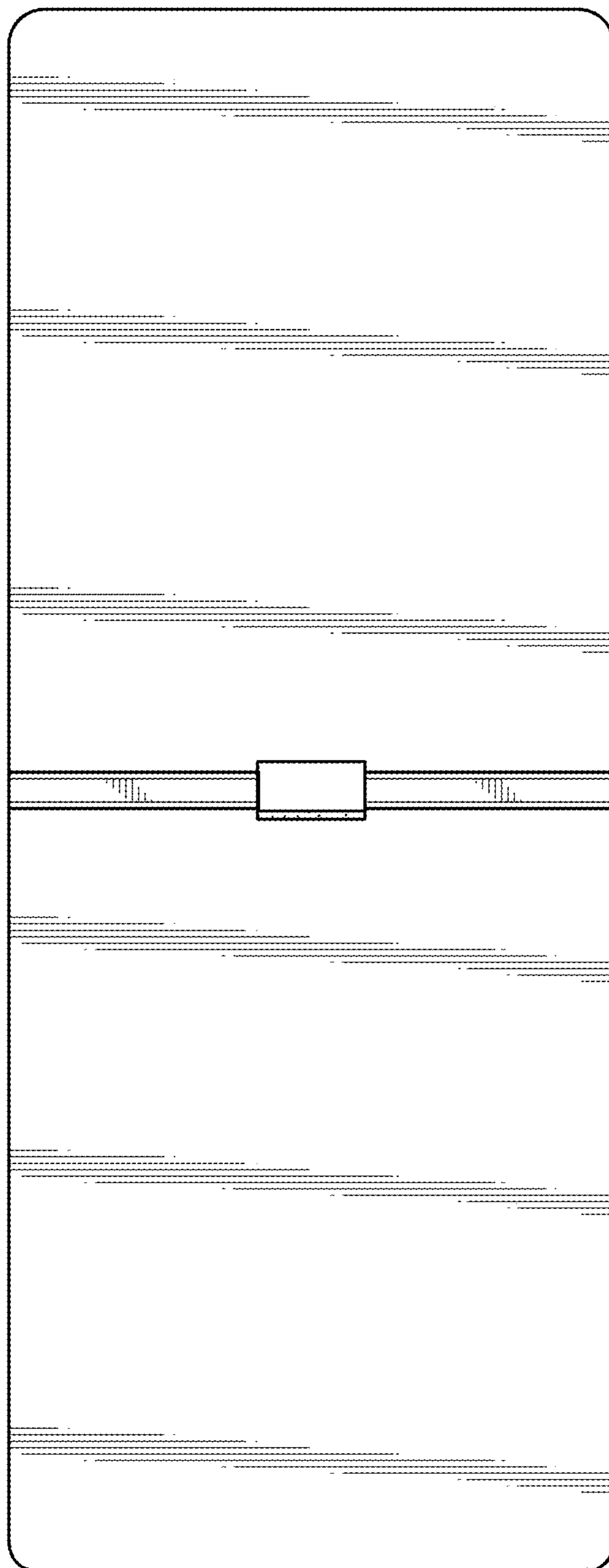


FIG. 10