



US00D750476S

(12) **United States Design Patent**  
**Huang**

(10) **Patent No.:** **US D750,476 S**  
(45) **Date of Patent:** **\*\* Mar. 1, 2016**

(54) **ORGANIZING CLIP**

(71) Applicant: **Jay J. Huang**, Eatontown, NJ (US)

(72) Inventor: **Jay J. Huang**, Eatontown, NJ (US)

(\*\*) Term: **14 Years**

(21) Appl. No.: **29/462,238**

(22) Filed: **Jul. 31, 2013**

(51) **LOC (10) Cl.** ..... **08-08**

(52) **U.S. Cl.**  
USPC ..... **D8/395**

(58) **Field of Classification Search**  
USPC ..... D8/394-396, 71-74, 499, 354-355;  
D19/65, 164, 166, 196; D11/164, 78.1  
CPC ..... D06F 55/00; A44D 2203/00; A61B  
17/0664; A61B 17/04; A61B 17/1265; A43D  
79/00; A41B 3/08; A41F 15/02; A62F 2/0063  
See application file for complete search history.

(56) **References Cited**

**U.S. PATENT DOCUMENTS**

141,740	A *	8/1873	Urso et al.	24/564
1,368,868	A *	2/1921	Wertman	232/33
D135,423	S *	4/1943	Campbell et al.	D8/394
2,519,987	A *	8/1950	Wernette	24/561
3,149,390	A *	9/1964	McCoy	24/564
D264,662	S *	6/1982	Bisk et al.	D6/328
4,586,503	A *	5/1986	Kirsch et al.	606/155
4,791,707	A *	12/1988	Tucker	227/19
4,796,627	A *	1/1989	Tucker	606/143
D331,462	S *	12/1992	Kraus et al.	D24/143
D332,584	S *	1/1993	Tarro	D11/164
5,414,911	A *	5/1995	Adams	24/545
D367,223	S *	2/1996	Adams	D8/395
5,779,720	A *	7/1998	Walder-Utz et al.	606/151
D433,318	S *	11/2000	Chang	D8/395
6,192,619	B1 *	2/2001	Pirle	43/43.12

D447,564	S *	9/2001	Stewart, Jr.	D24/143
6,631,538	B1 *	10/2003	Carr	24/299
D485,481	S *	1/2004	Wolff	D8/72

(Continued)

**FOREIGN PATENT DOCUMENTS**

CN	300880561	*	2/2009
CN	301408486	*	12/2010

**OTHER PUBLICATIONS**

Amazon.com—Moerman Laundry Solutions Soft Grip Pegs, review date Jul. 11, 2010, online, site visited May 8, 2015, [http://www.amazon.com/Moerman-Laundry-Solutions-88355-Soft/dp/B003DTKUJ6/ref=sr\\_1\\_109?ie=UTF8&qid=1431140702&sr=8-109&keywords=clips.\\*](http://www.amazon.com/Moerman-Laundry-Solutions-88355-Soft/dp/B003DTKUJ6/ref=sr_1_109?ie=UTF8&qid=1431140702&sr=8-109&keywords=clips.*)

(Continued)

*Primary Examiner* — John Windmuller

*Assistant Examiner* — John R Yeh

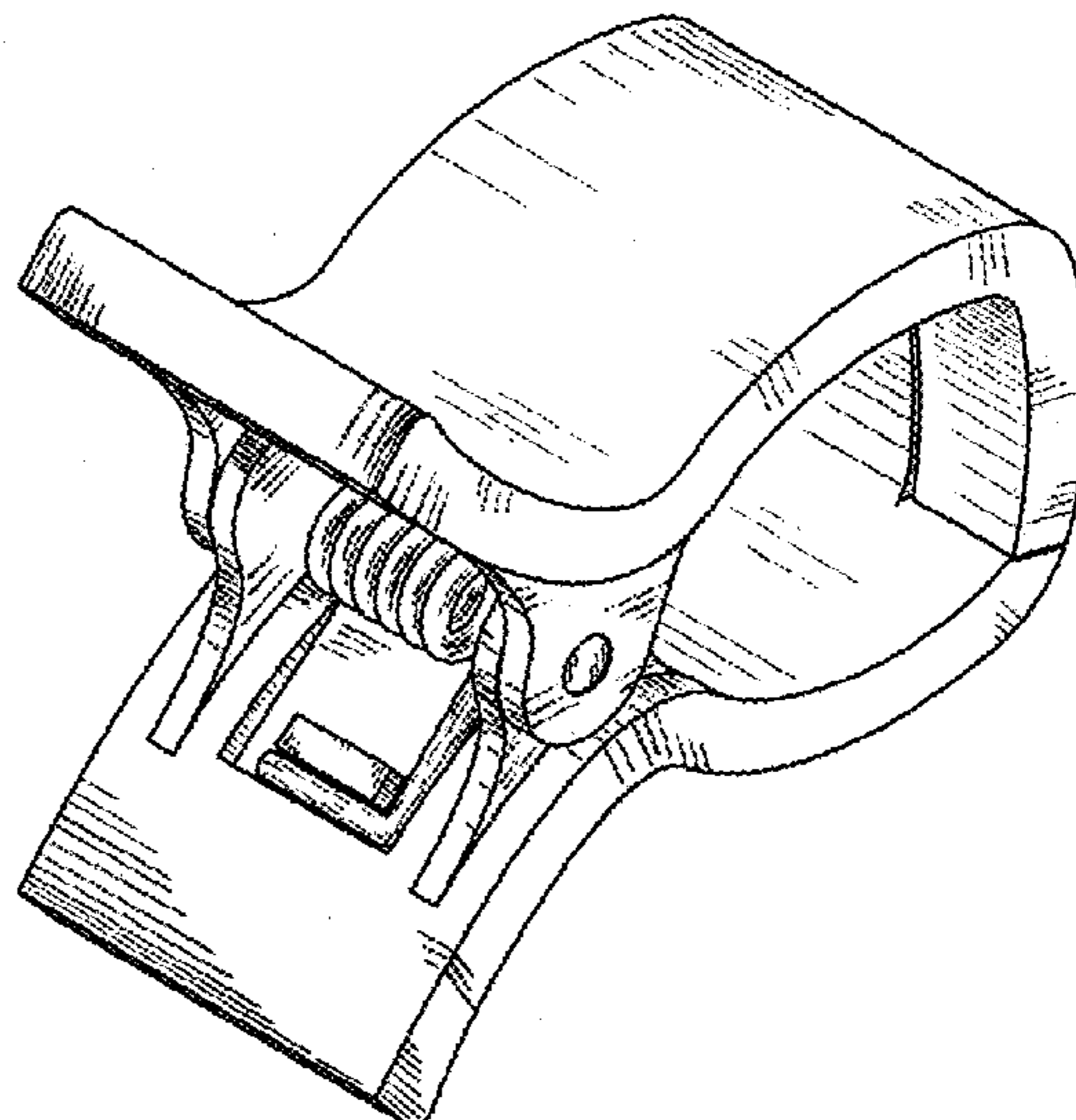
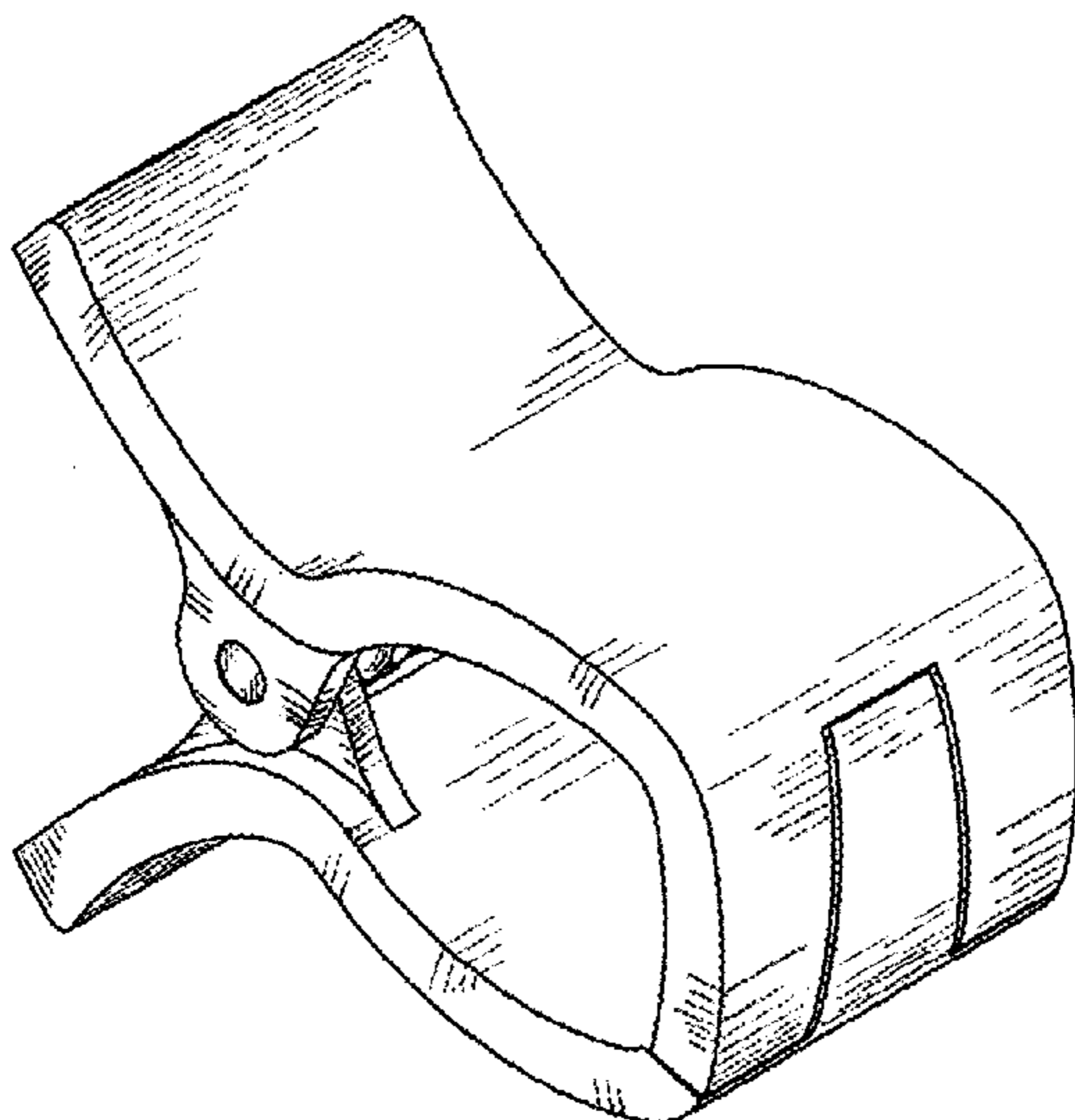
(57) **CLAIM**

The ornamental design for an organizing clip, as shown and described.

**DESCRIPTION**

FIG. 1 is a front, top, and left-side perspective view of my design for an organizing clip;  
FIG. 2 is a rear, top, and left-side perspective view thereof;  
FIG. 3 is a front elevational view thereof;  
FIG. 4 is a rear elevational view thereof;  
FIG. 5 is a left-side elevational view thereof, the right-side being a mirror image thereof;  
FIG. 6 is a top plan view thereof;  
FIG. 7 is a bottom plan view thereof;  
FIG. 8 is a perspective view thereof in an open position; and,  
FIG. 9 is a left-side elevational view of FIG. 8.

**1 Claim, 4 Drawing Sheets**



(56)

**References Cited**

U.S. PATENT DOCUMENTS

D710,186 S \* 8/2014 Earley ..... D8/354  
2010/0269309 A1 \* 10/2010 Boesi et al. .... 24/303

OTHER PUBLICATIONS

Online, site visited May 8, 2015, Amazon.com: Steel Spring Clips  
Clamps—PVC Dipped, oldest review date Dec. 16, 2012, [\[www.amazon.com/Color-Coded-Steel-Spring-Clips-Clamps/product-reviews/B003JSV5W2/ref=cm\\\_cr\\\_pr\\\_btm\\\_link\\\_2?ie=UTF8&showViewpoints . . .\]\(http://www.amazon.com/Color-Coded-Steel-Spring-Clips-Clamps/product-reviews/B003JSV5W2/ref=cm\_cr\_pr\_btm\_link\_2?ie=UTF8&showViewpoints...\)\\*](http://</a></p></div><div data-bbox=)

Online, site visited May 8, 2015, Amazon.com : Heavy Duty Muslin Clamps, review date Aug. 9, 2011, [http://www.amazon.com/Heavy-Duty-Muslin-Clamps-inch/dp/B004AZ38Z0/ref=sr\\_1\\_23?ie=UTF8&qid=1431140390&sr=8-23&keywords=clips](http://www.amazon.com/Heavy-Duty-Muslin-Clamps-inch/dp/B004AZ38Z0/ref=sr_1_23?ie=UTF8&qid=1431140390&sr=8-23&keywords=clips).\*

\* cited by examiner

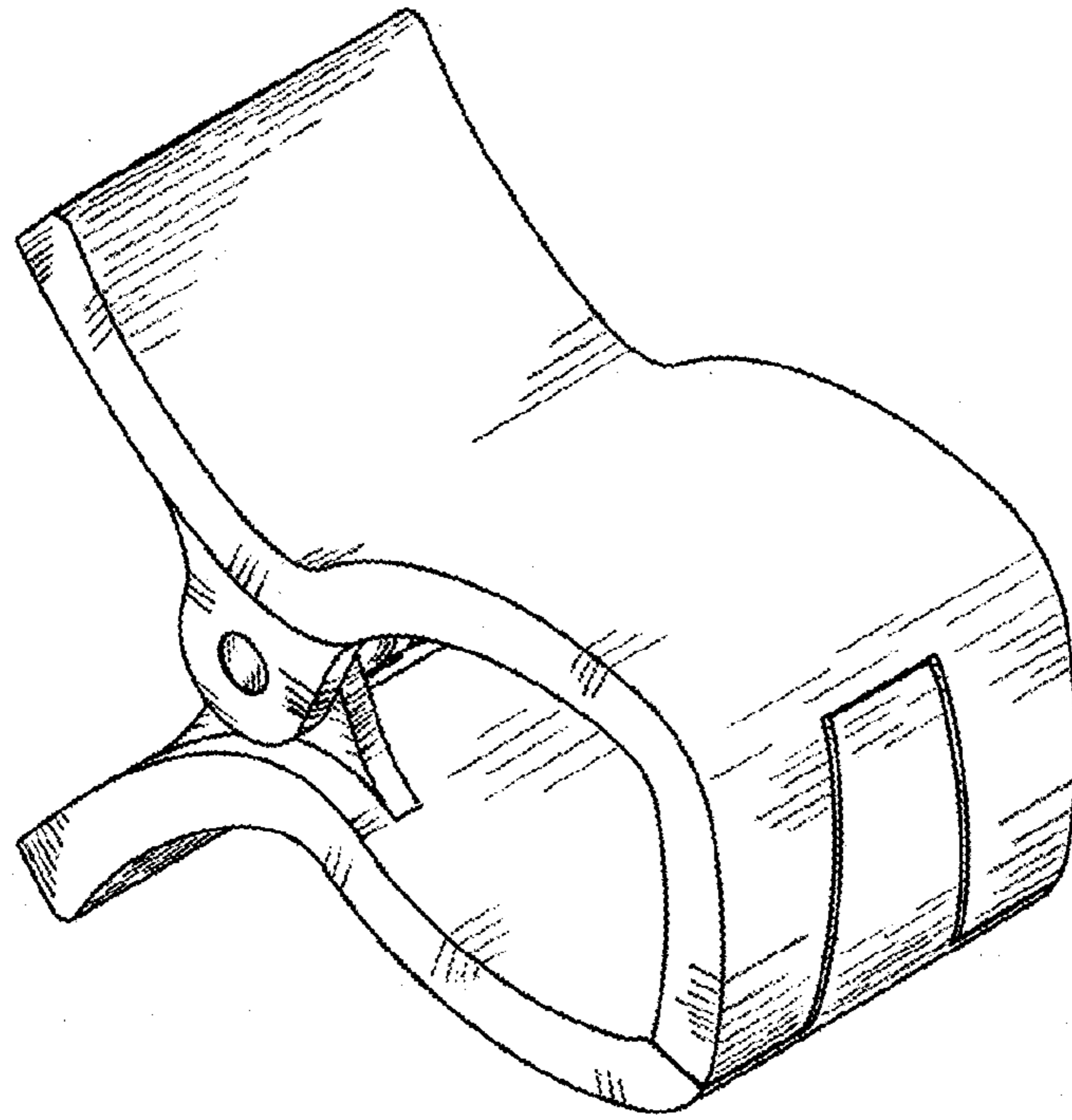


FIG. 1

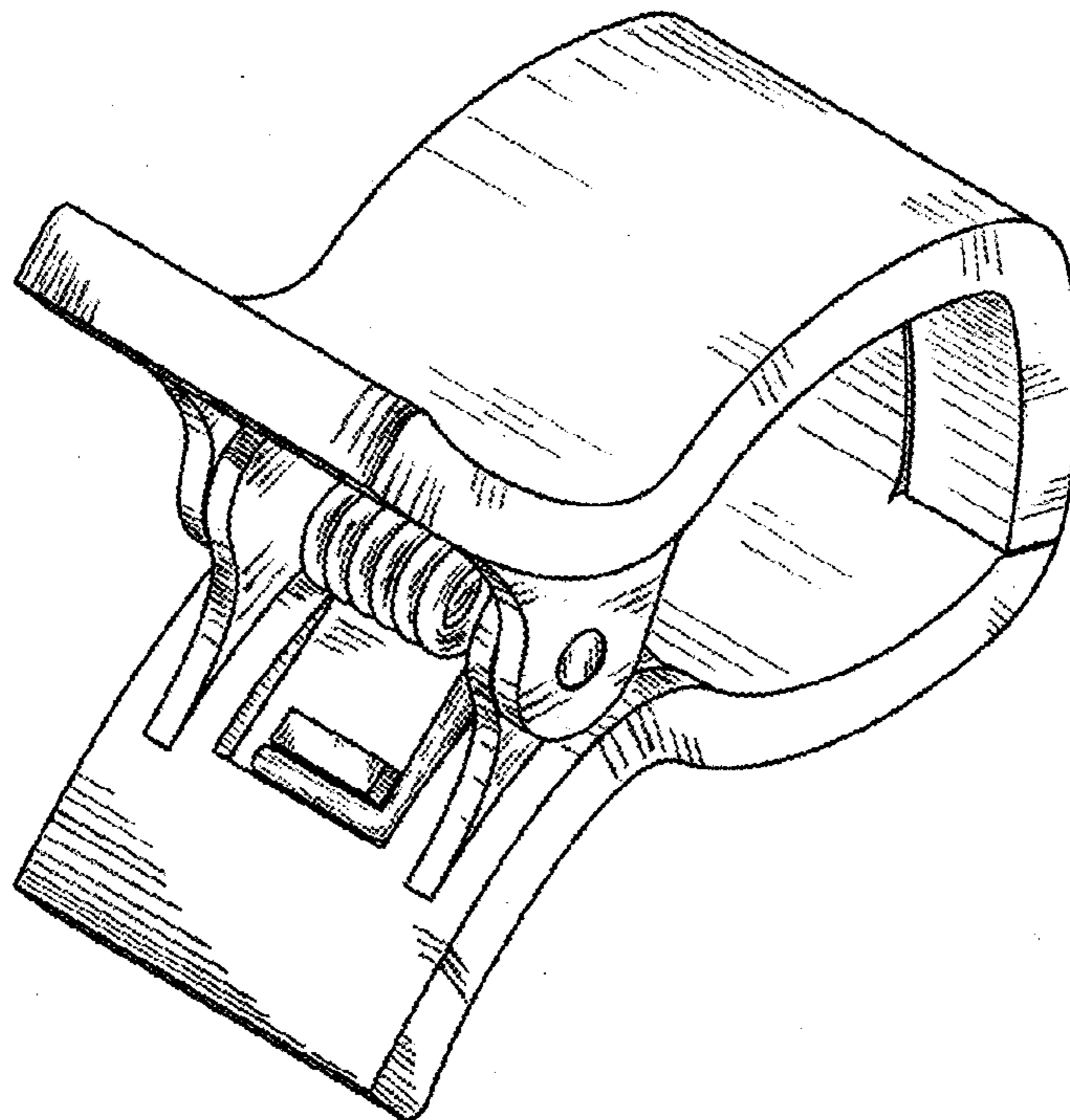


FIG. 2



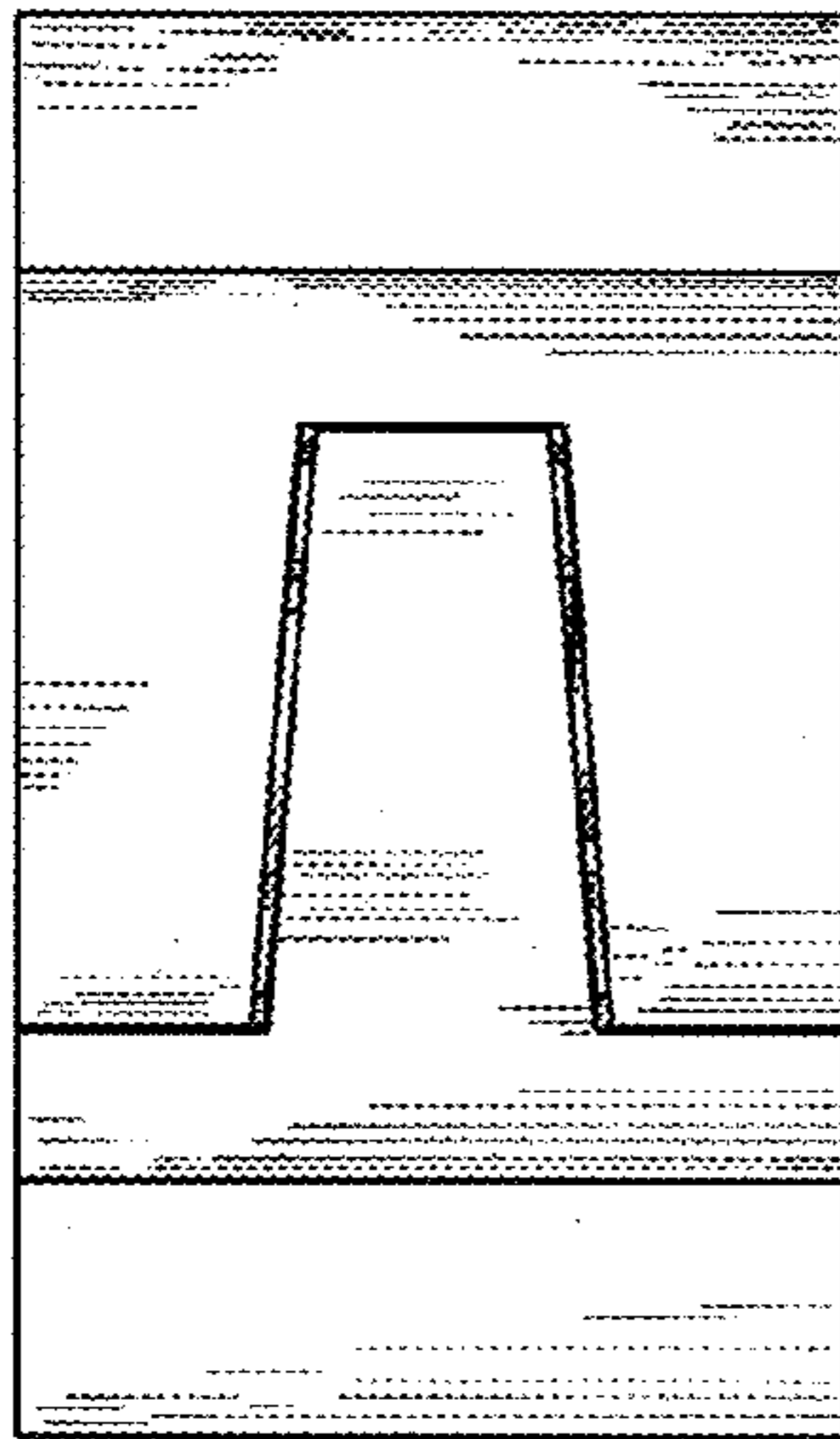


FIG. 3

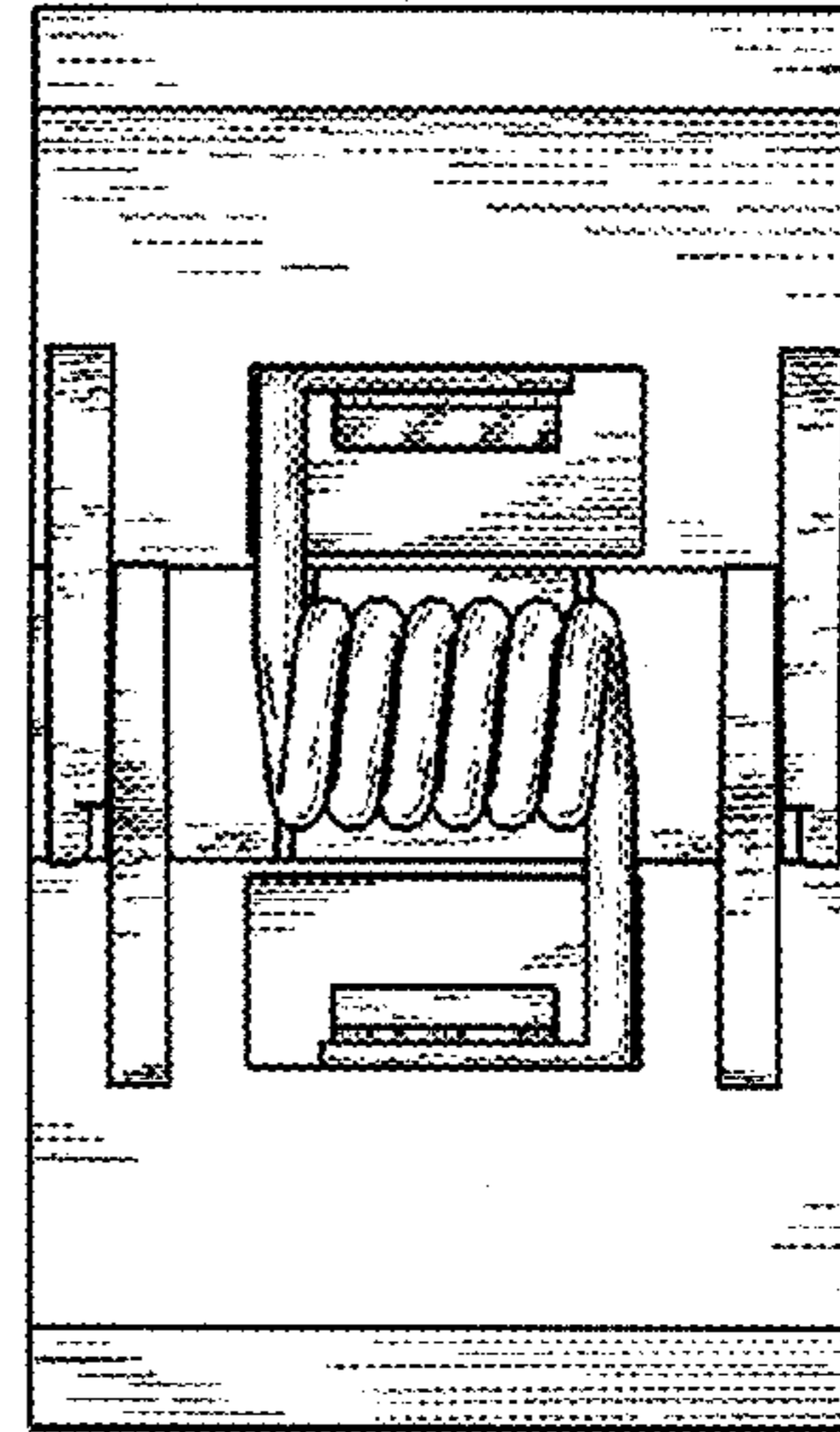


FIG. 4

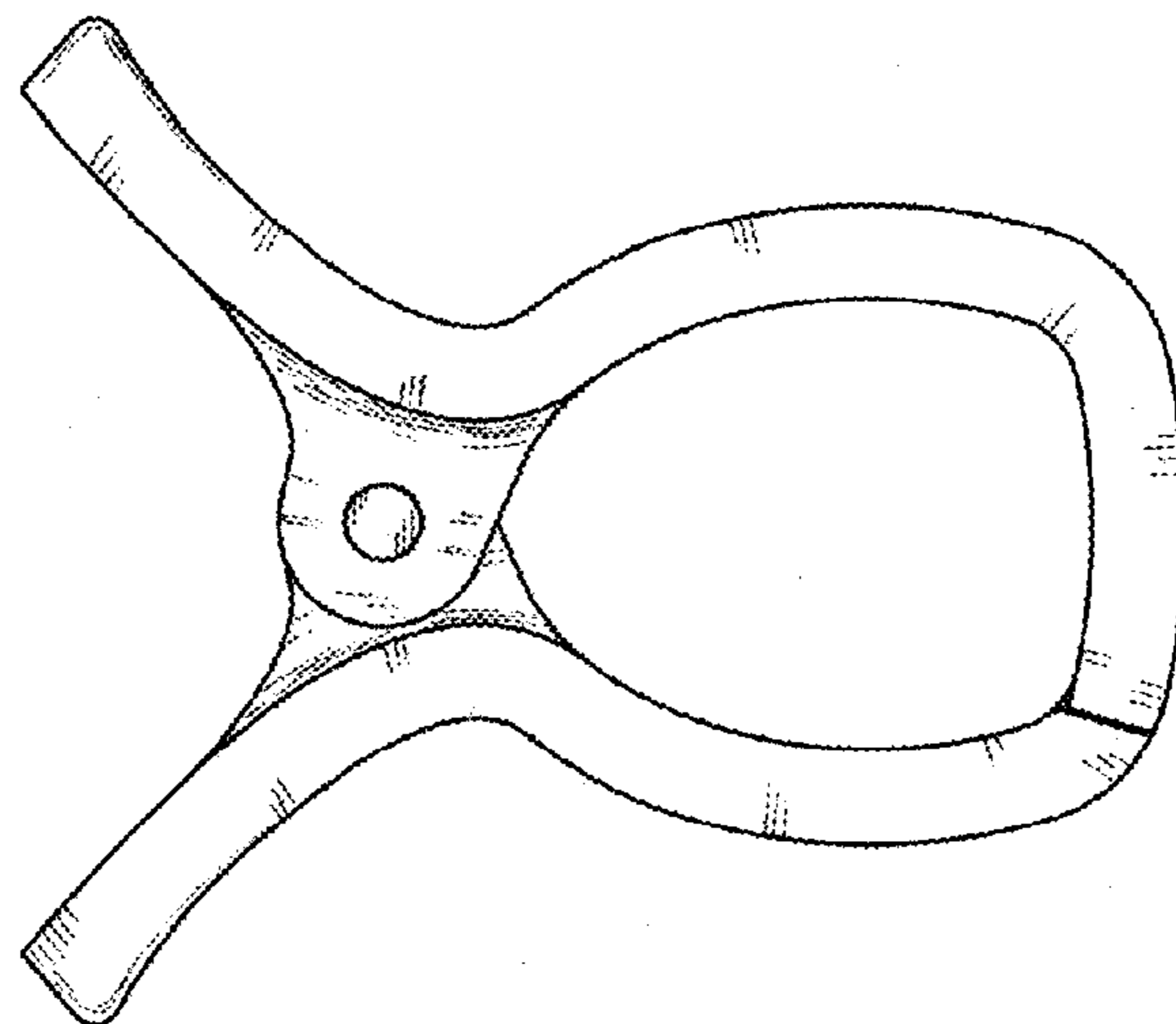


FIG. 5

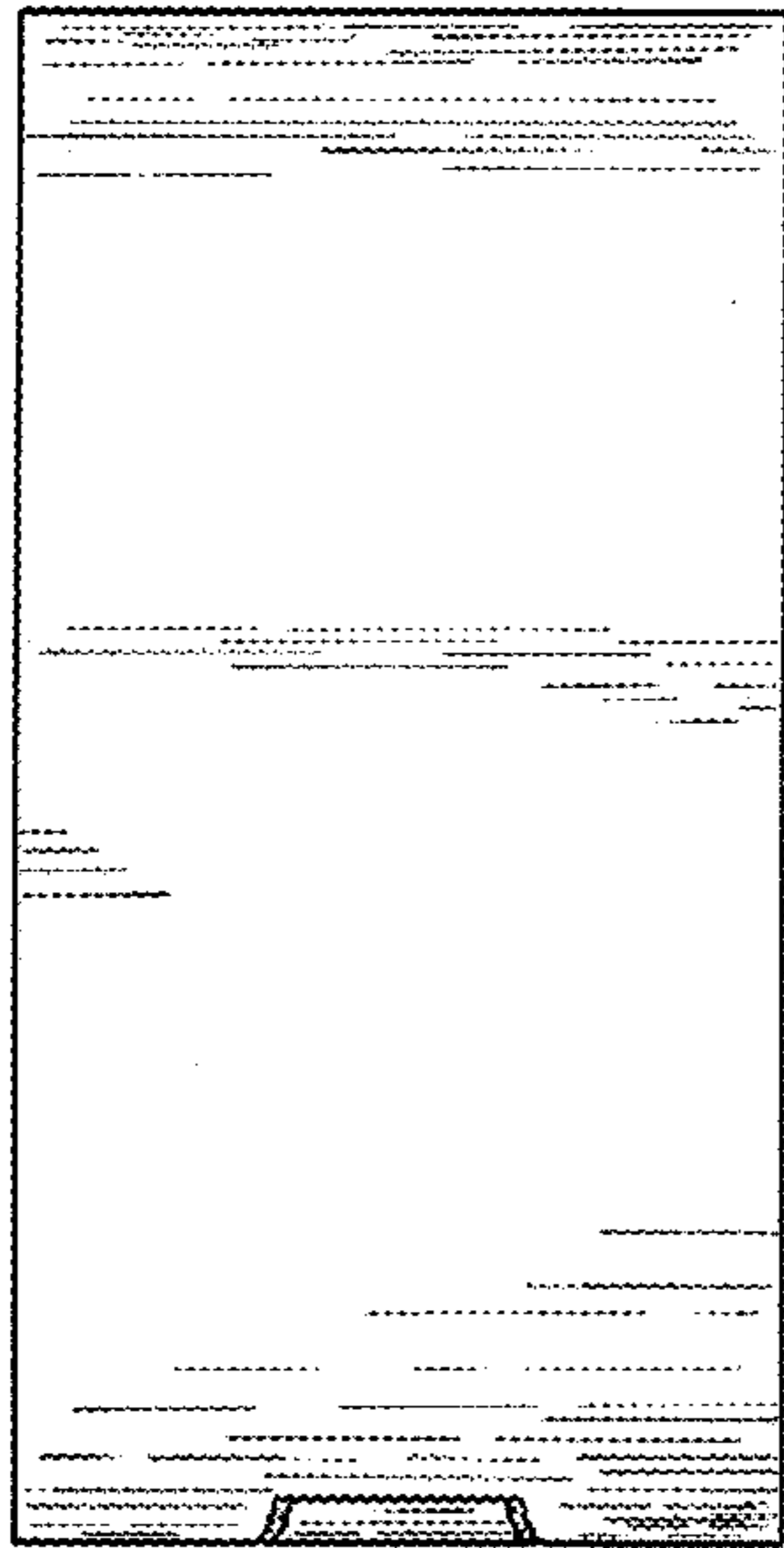


FIG. 6

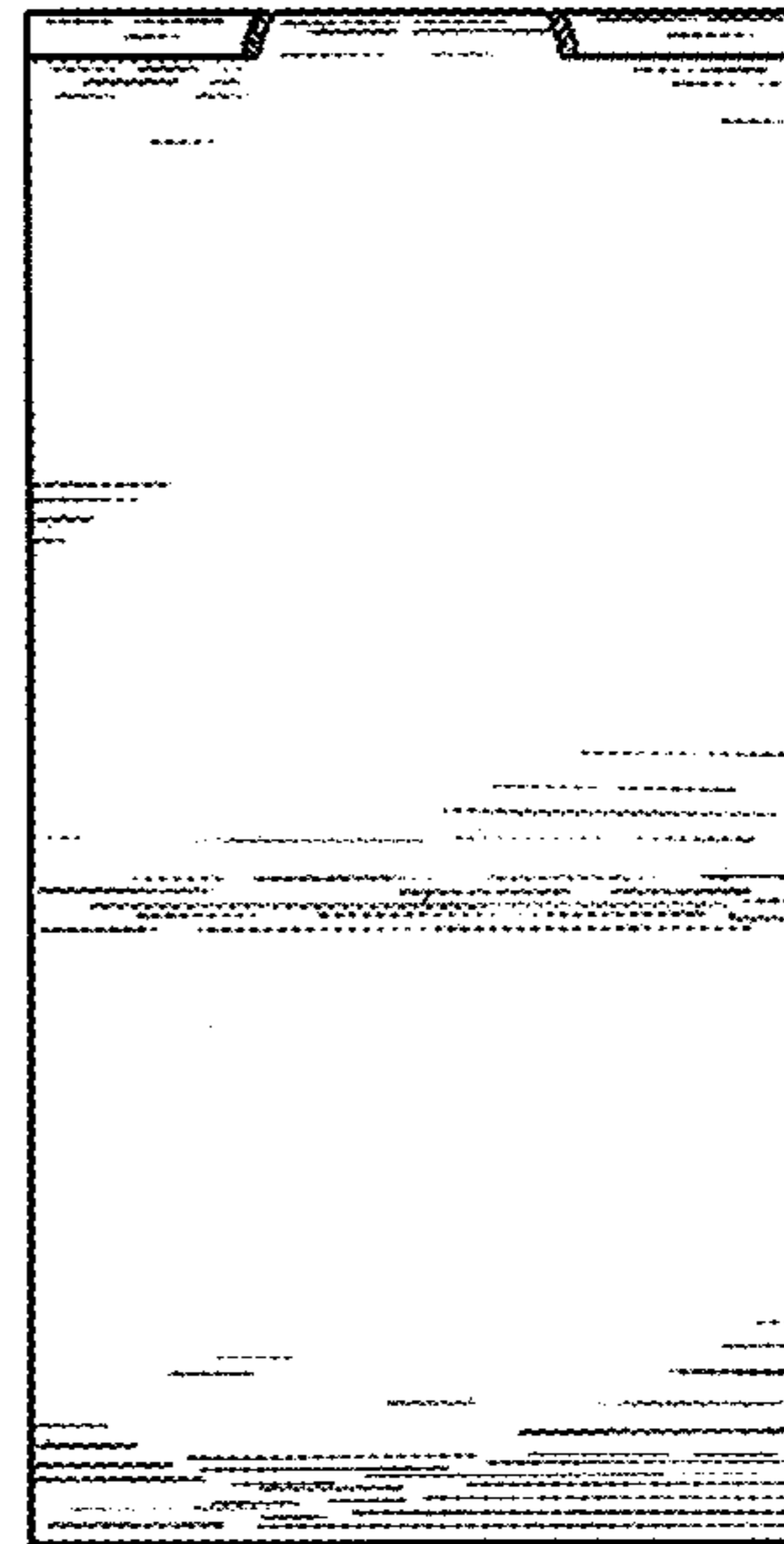


FIG. 7

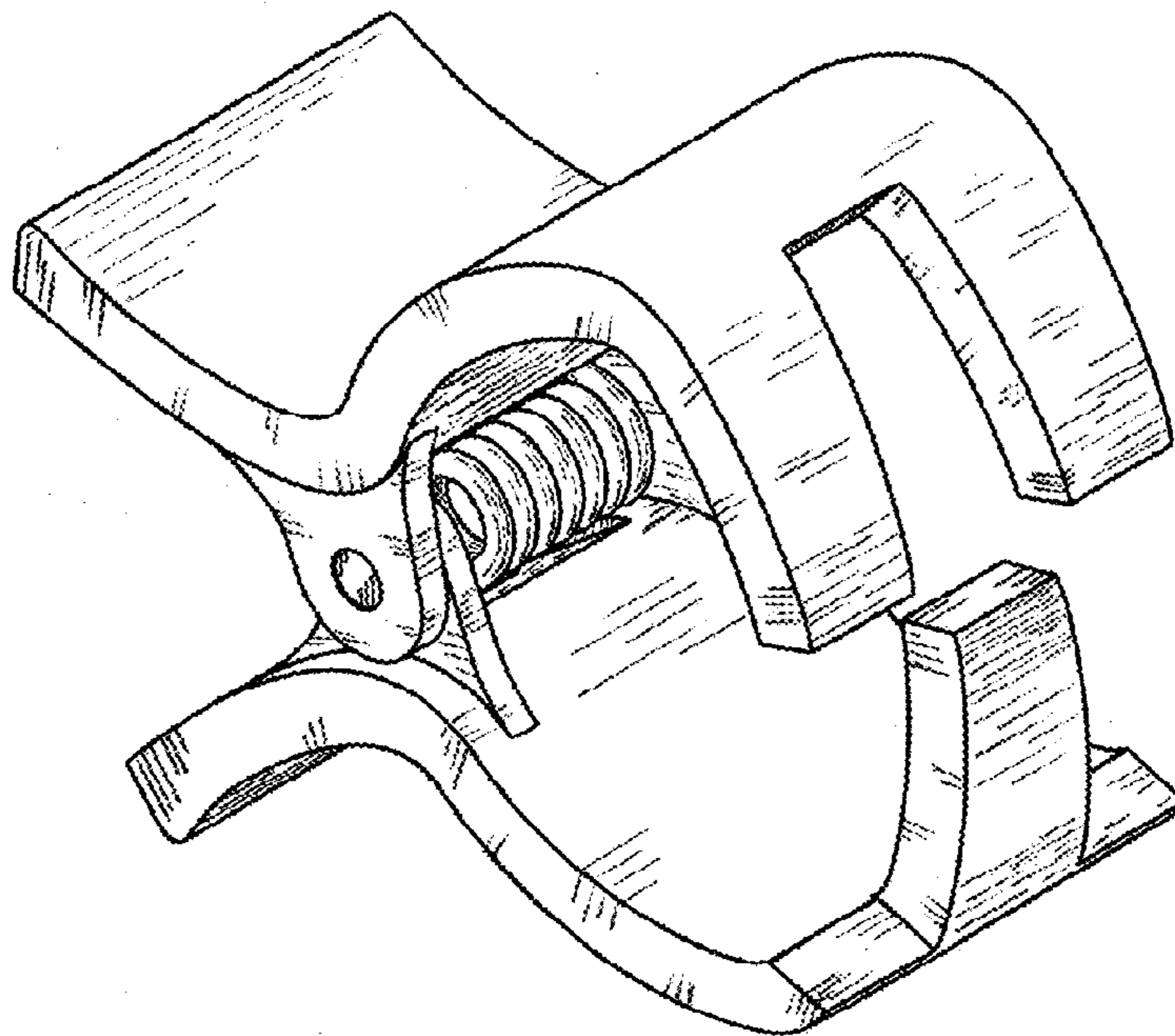


FIG. 8

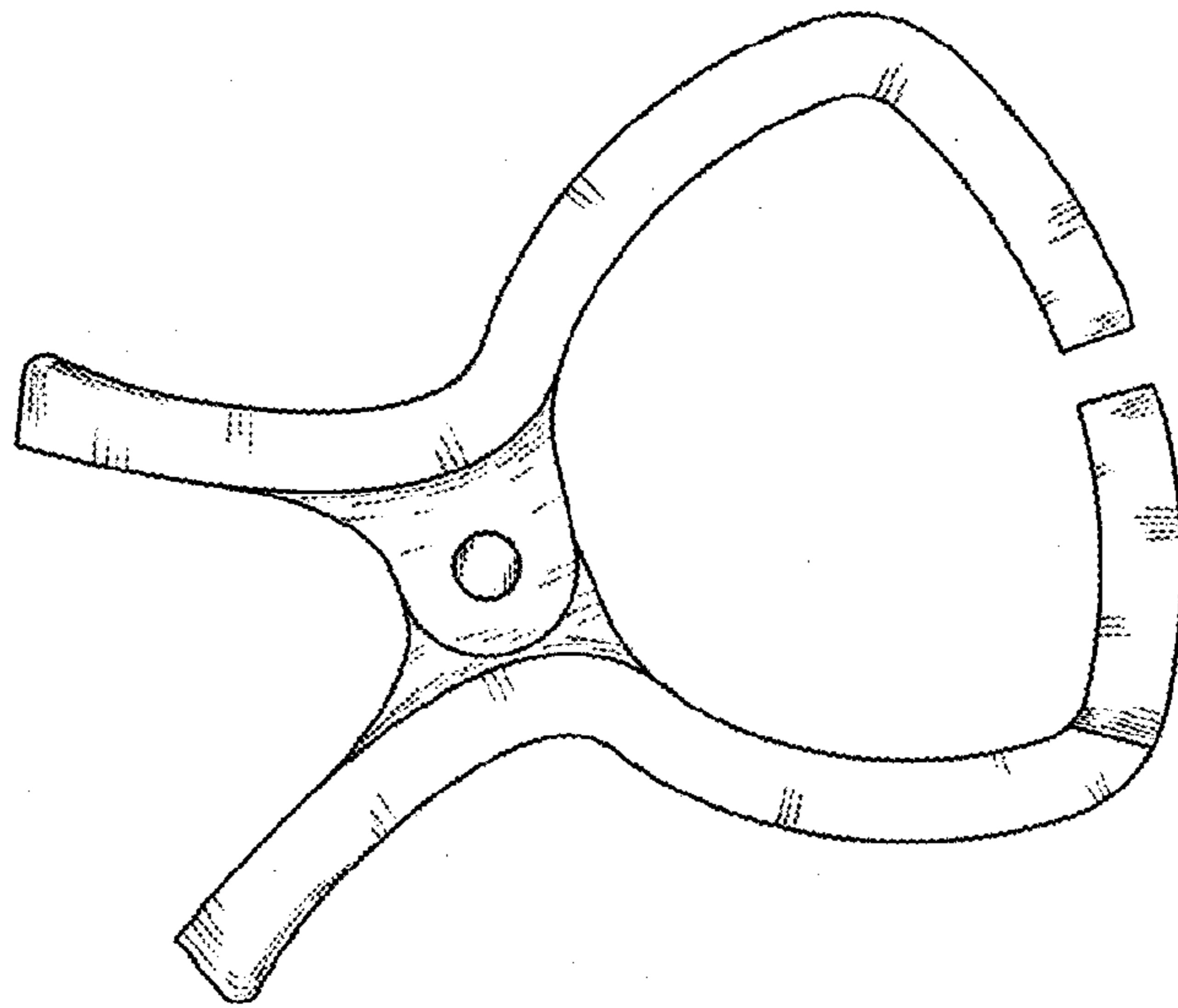


FIG. 9