



US00D750475S

(12) **United States Design Patent**
Bucher

(10) **Patent No.:** **US D750,475 S**
(45) **Date of Patent:** **** Mar. 1, 2016**

(54) **LINK FOR A SUPPORT ASSEMBLY**

FOREIGN PATENT DOCUMENTS

(71) Applicant: **Adaptive Engineering Lab, Inc.**,
Milwaukee, WI (US)

CN 201029966 Y 3/2008
CN 202821888 U 3/2013

(Continued)

(72) Inventor: **Ronald S. Bucher**, New Berlin, WI (US)

OTHER PUBLICATIONS

(73) Assignee: **Adaptive Engineering Lab, Inc.**,
Milwaukee, WI (US)

Stealth Products, Inc., TWBL—Swing Away Link Style Thoracic
Lateral Hardware, Product Information, Dec. 3, 2010, 2 pages.

(**) Term: **14 Years**

(Continued)

(21) Appl. No.: **29/504,703**

Primary Examiner — Sheryl Lane

Assistant Examiner — Ieisha Price

(22) Filed: **Oct. 8, 2014**

(74) *Attorney, Agent, or Firm* — Quarles & Brady LLP

(51) **LOC (10) Cl.** **08-08**

(52) **U.S. Cl.**
USPC **D8/382**

(58) **Field of Classification Search**
USPC D8/14, 323, 324, 325, 326, 327, 328,
D8/329, 349, 354, 355, 373, 380, 382,
D8/499; D12/131, 132, 133, 223, 400,
D12/114, 115; D6/334, 356, 362, 716,
D6/716.4, 716.7

(57) **CLAIM**

The ornamental design for a link for a support assembly, as
shown and described.

CPC A61G 5/14; A61G 2005/122; A61G 5/12;
A61G 5/10; A61G 2005/121; A61G 2005/127;
A61G 2005/128

DESCRIPTION

See application file for complete search history.

FIG. 1 is an environmental top, front, left perspective view of
a link for a support assembly. The broken lines shown repre-
sent the environment of the claimed design and form no part
thereof;

FIG. 2 is a top, front, left perspective view of the link for a
support assembly;

FIG. 3 is a front elevational view of the link for a support
assembly;

FIG. 4 is a rear elevational view of the link for a support
assembly;

FIG. 5 is a top plan view of the link for a support assembly;

FIG. 6 is a bottom plan view of the link for a support assem-
bly;

FIG. 7 is a left elevational view of the link for a support
assembly; and,

FIG. 8 is a right elevational view of the link for a support
assembly.

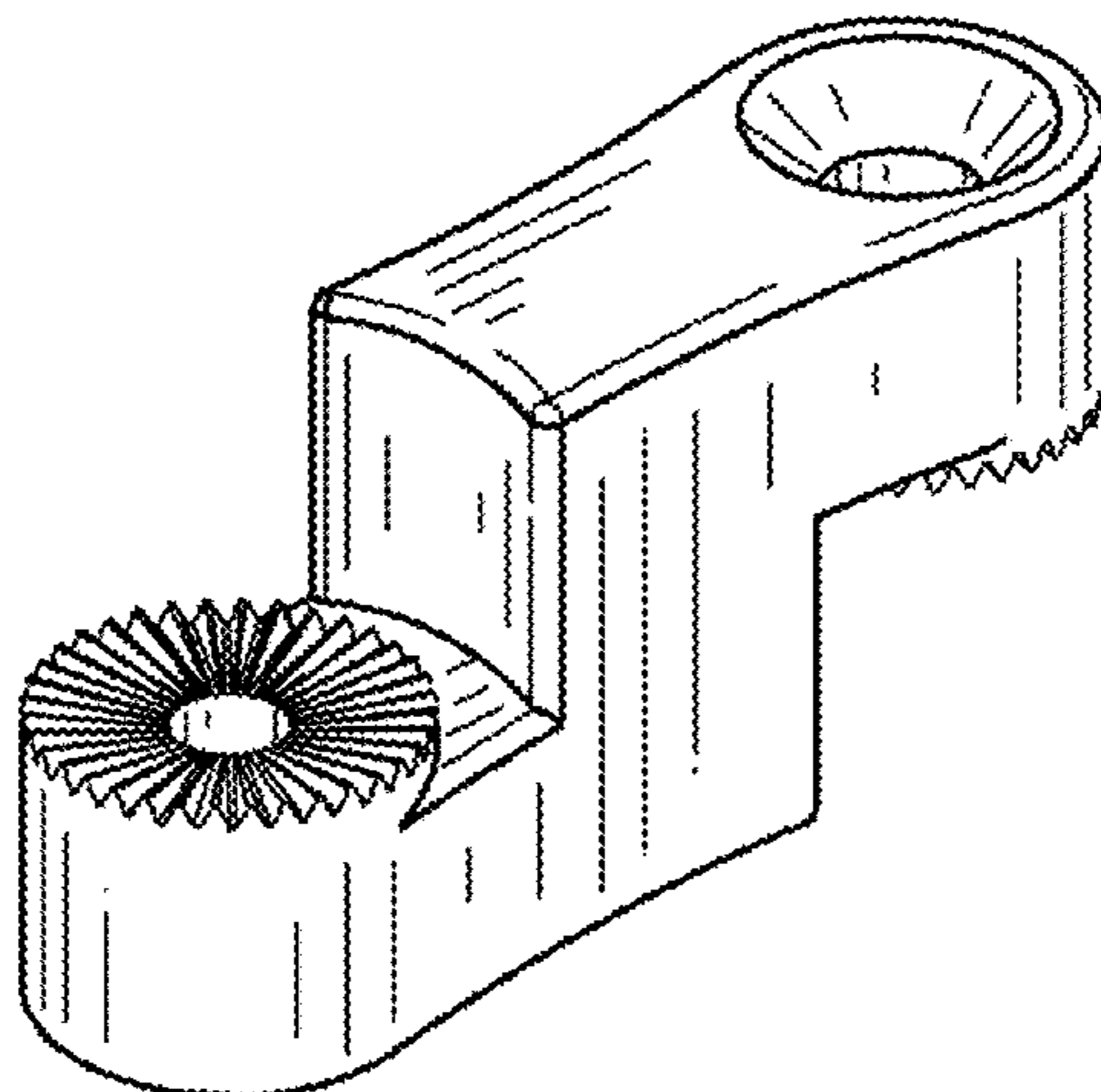
(56) **References Cited**

U.S. PATENT DOCUMENTS

1,527,754 A * 2/1925 Simon A61G 5/1059
297/284.1
3,640,571 A 2/1972 Keropian
4,073,537 A 2/1978 Hammersburg
4,617,919 A 10/1986 Suhre
4,813,746 A 3/1989 Mulholland
D303,622 S * 9/1989 Fulcher D21/839
D308,467 S * 6/1990 Fenton D8/367
5,362,082 A 11/1994 Kornberg
D370,841 S * 6/1996 Gola D8/354

(Continued)

1 Claim, 4 Drawing Sheets



(56)

References Cited

U.S. PATENT DOCUMENTS

D371,504 S * 7/1996 Massie D8/349
 D371,861 S * 7/1996 Stamm D26/140
 D374,608 S * 10/1996 Shoda D8/382
 5,582,464 A 12/1996 Maymon
 D379,753 S * 6/1997 Honda D8/323
 5,678,798 A 10/1997 Little
 D395,996 S * 7/1998 Fischer D8/349
 D406,747 S * 3/1999 Sonntag D8/354
 5,964,439 A 10/1999 Johnson
 D435,211 S * 12/2000 Rusch D8/349
 6,257,664 B1 7/2001 Chew et al.
 D453,102 S * 1/2002 Postelwait D8/349
 6,361,118 B1 3/2002 Melgarejo et al.
 6,378,947 B1 4/2002 Barber et al.
 D460,734 S * 7/2002 Carlson D12/223
 6,460,927 B1 10/2002 Groth
 6,460,933 B1 10/2002 Bors et al.
 6,840,577 B2 1/2005 Watkins
 D511,298 S * 11/2005 Layne D8/499
 D533,037 S * 12/2006 Wu D8/14
 D559,662 S * 1/2008 Sculler D8/380
 D564,419 S * 3/2008 Clontz D12/114
 7,427,078 B1 9/2008 Humble et al.
 D604,148 S * 11/2009 Clarke D8/356
 D614,944 S * 5/2010 Maro D8/394

7,866,613 B2 1/2011 Cramer
 D635,445 S * 4/2011 Foresman D8/354
 D658,480 S * 5/2012 Pratt D8/349
 D661,174 S * 6/2012 Ogawa D8/323
 D672,225 S * 12/2012 Virnig D8/373
 8,578,560 B1 11/2013 Swinehart et al.
 8,596,719 B2 12/2013 Engman et al.
 D712,487 S * 9/2014 Strand D21/484
 D718,607 S * 12/2014 Thrush D8/323
 D720,664 S * 1/2015 Wang D12/133
 D742,731 S * 11/2015 Zedan D8/394
 2003/0052525 A1 * 3/2003 Bors A61G 5/1067
 297/440.16
 2007/0108829 A1 5/2007 Lehn et al.

FOREIGN PATENT DOCUMENTS

DE 202014000473 U1 2/2014
 GB 2459648 A 11/2009
 WO 0141694 A1 6/2001

OTHER PUBLICATIONS

Metalcraft Industries, Inc., Front Swing, Rear Swing, Slideaway, Lateral Thoracic Positioning, Product Information, PDF Created Feb. 23, 2011, 4 pages.

* cited by examiner

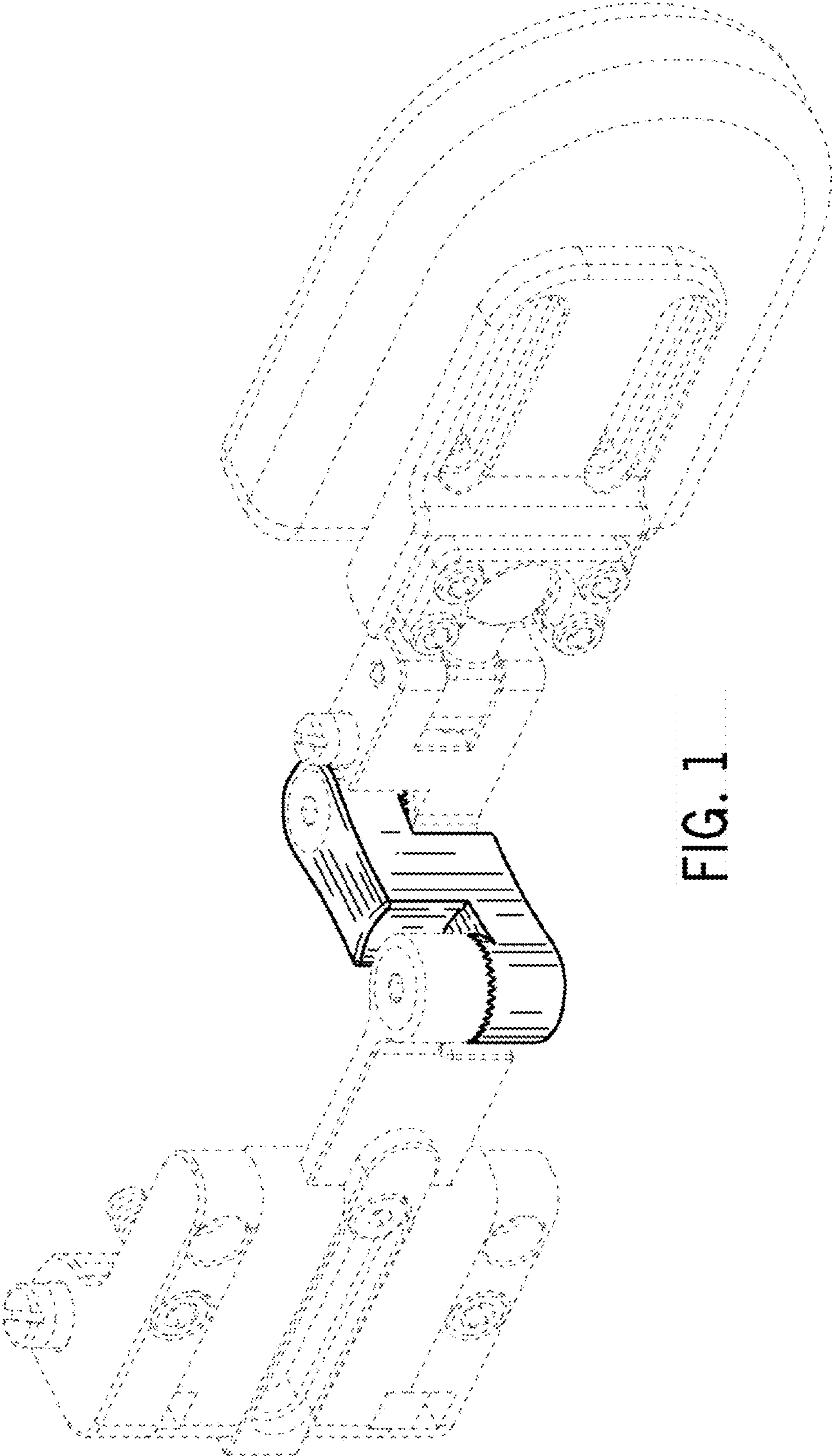


FIG. 1

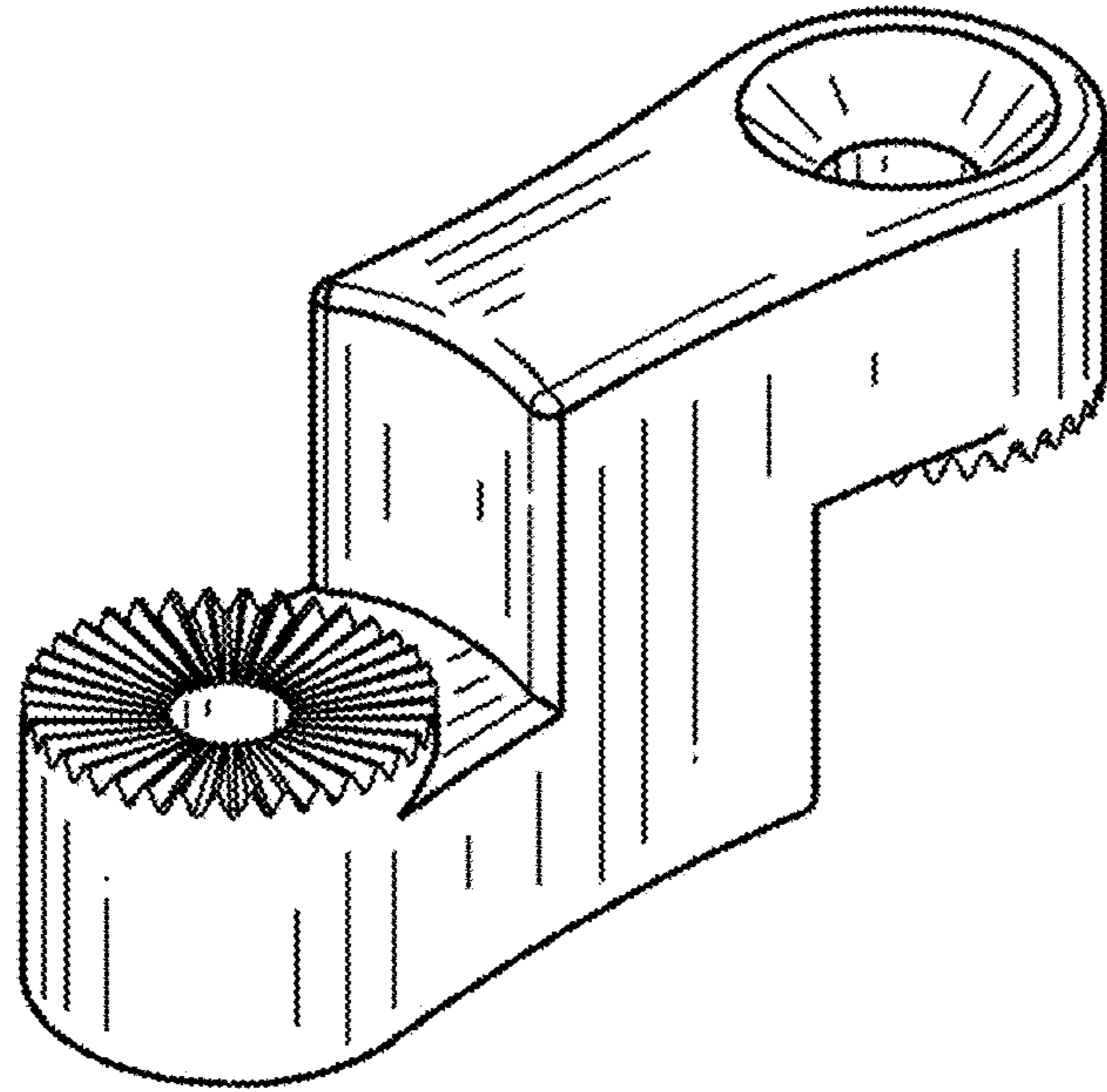


FIG. 2

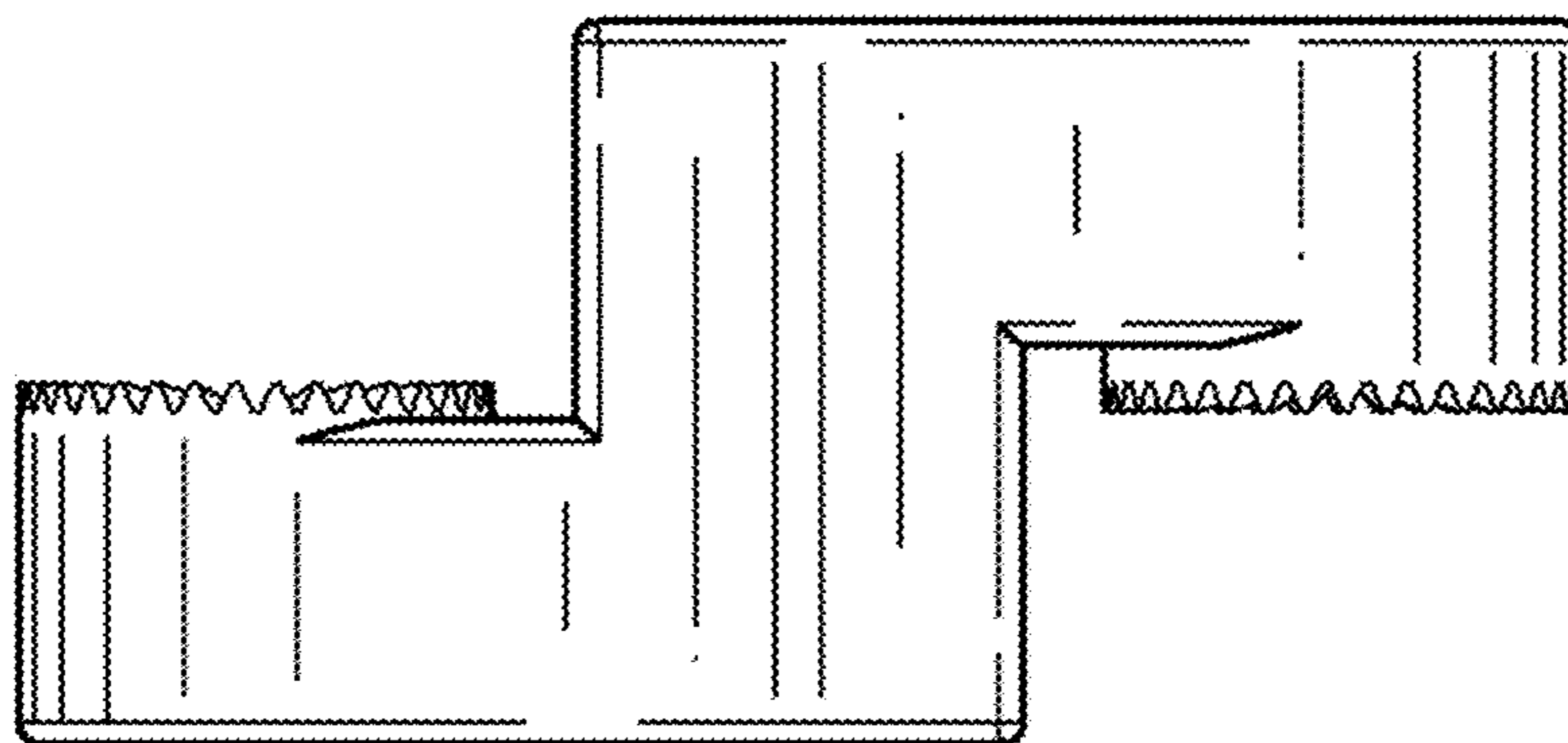


FIG. 3

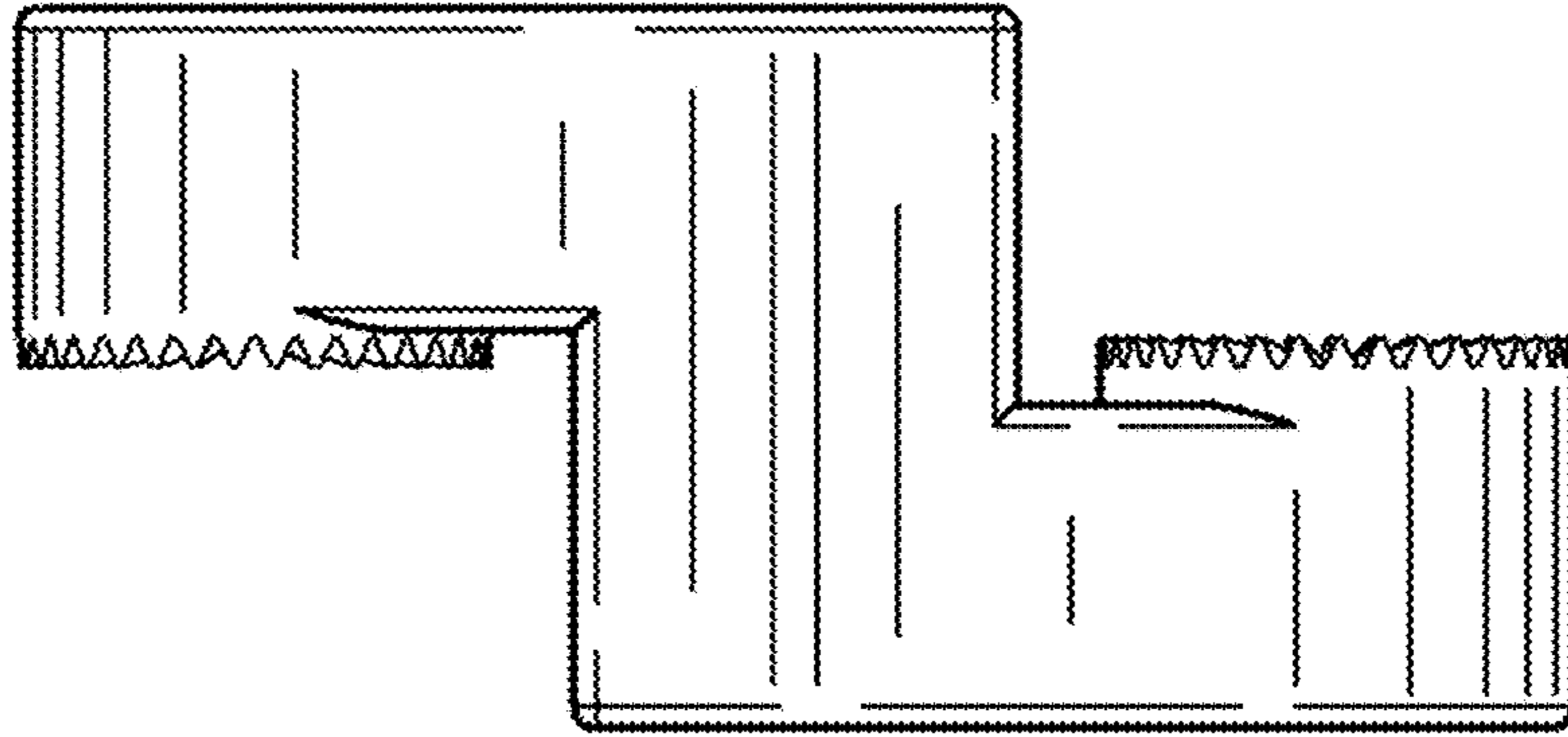


FIG. 4

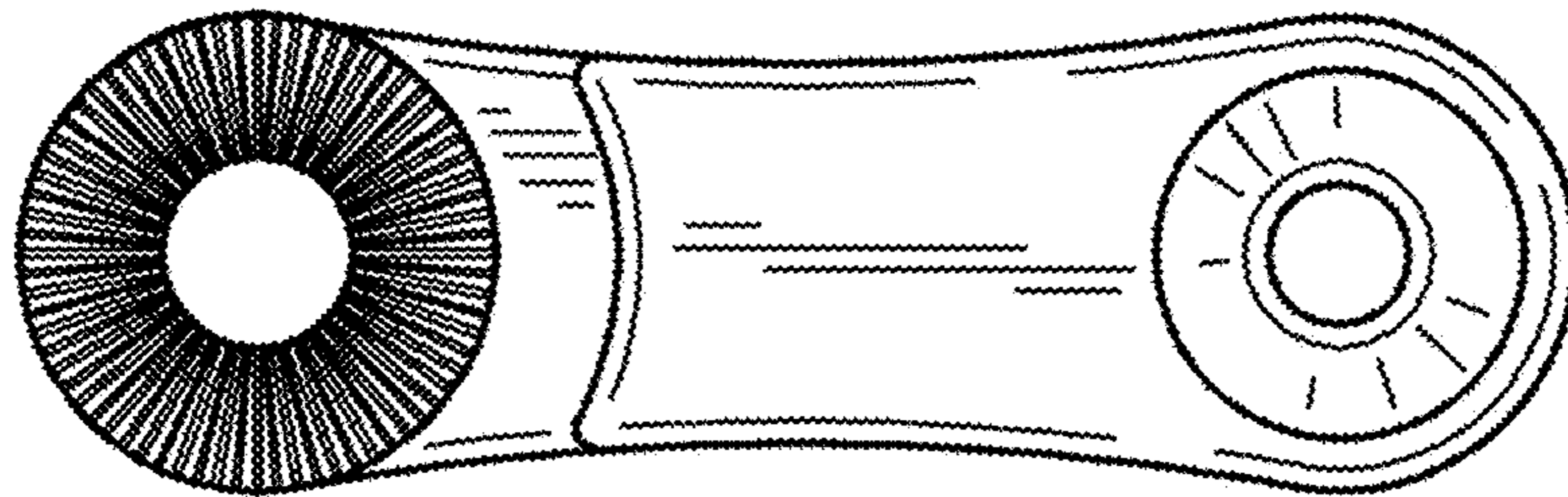


FIG. 5

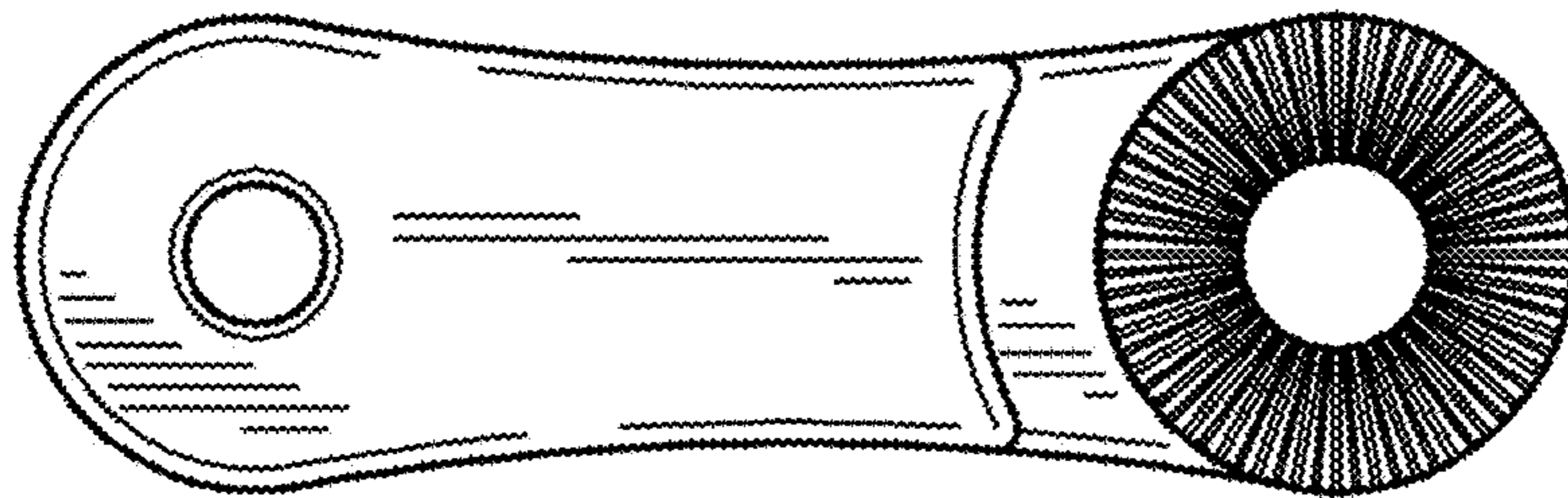


FIG. 6

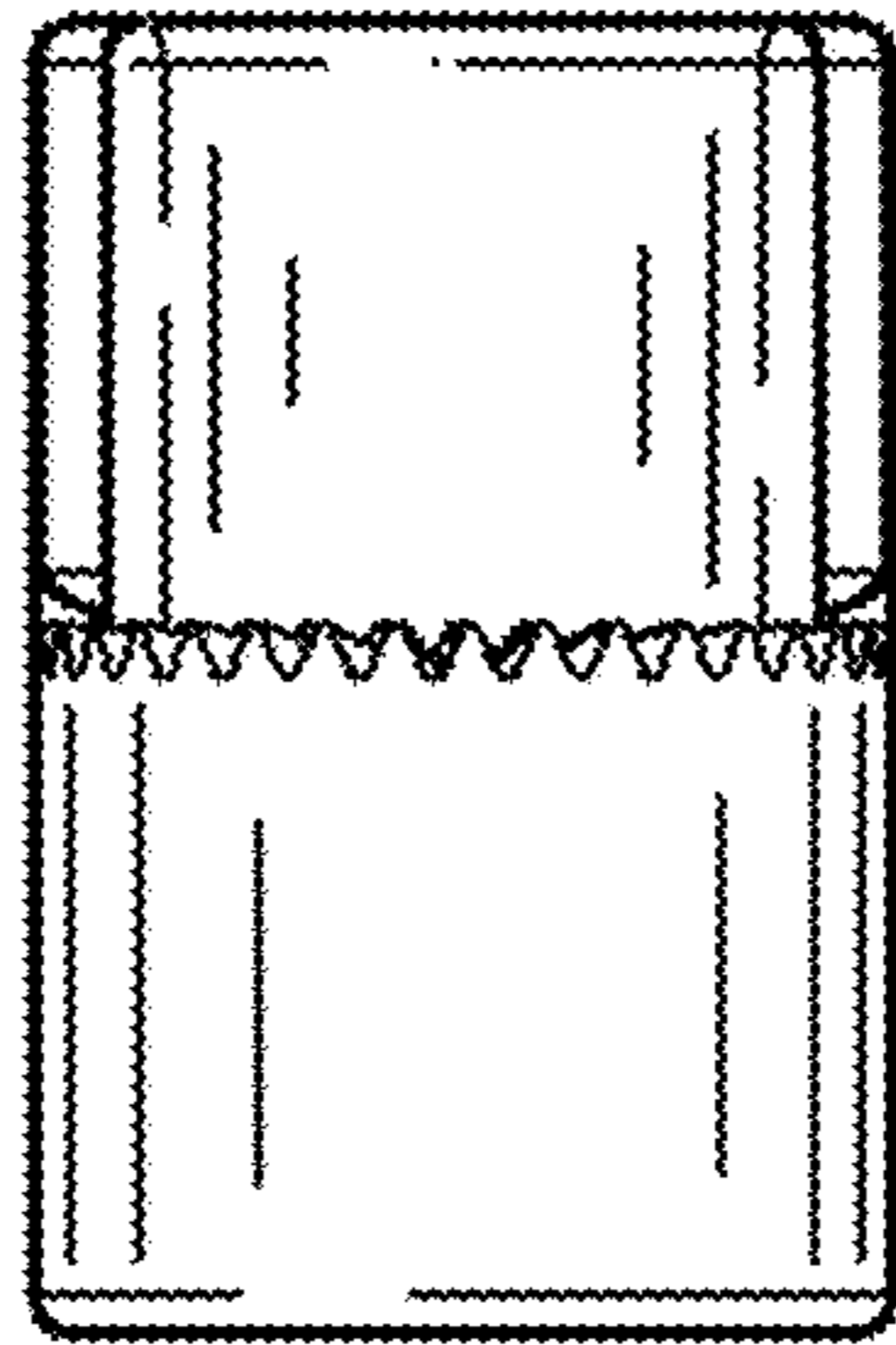


FIG. 7

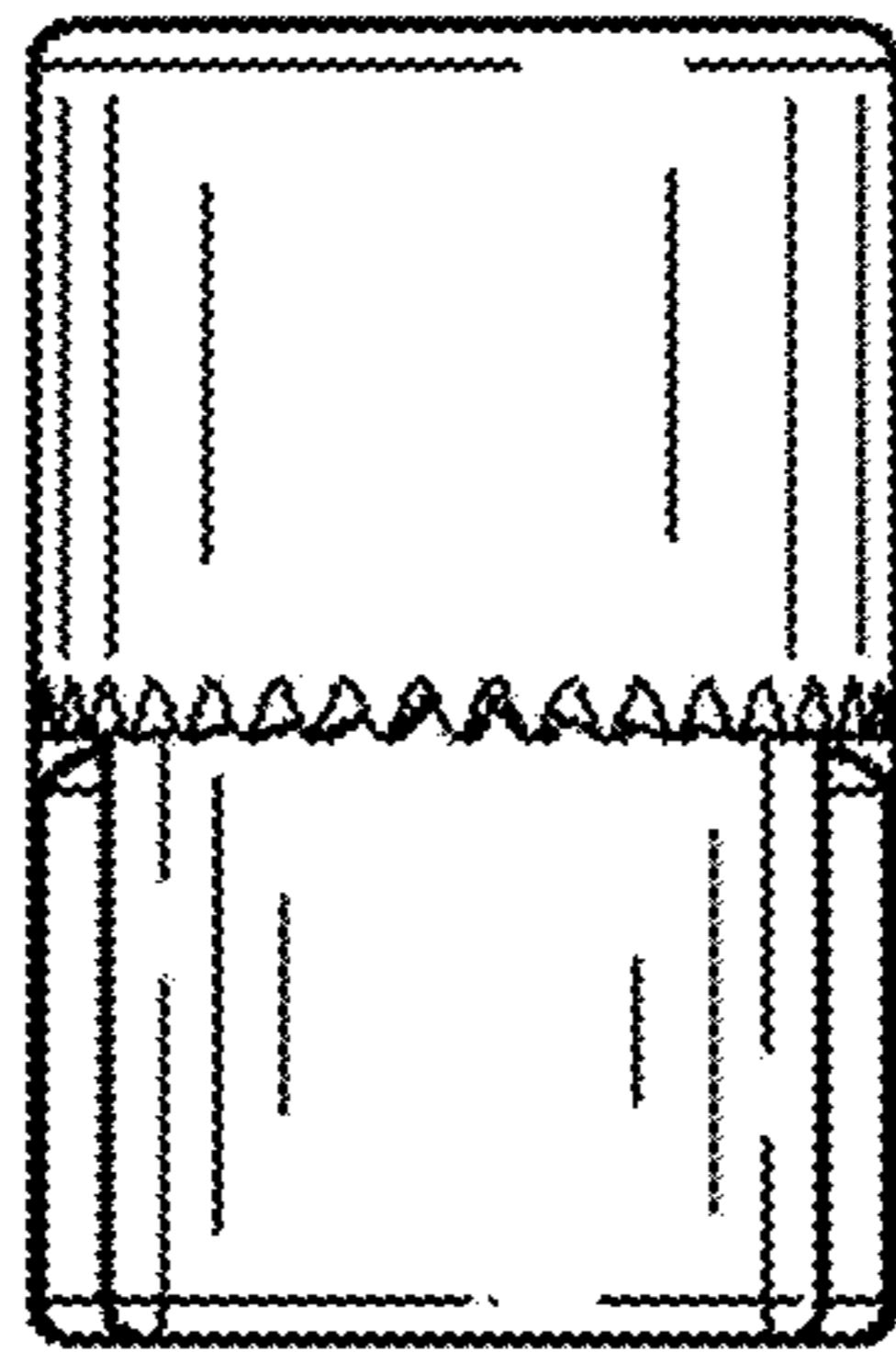


FIG. 8