



US00D750472S

(12) **United States Design Patent**
Kuka

(10) **Patent No.:** **US D750,472 S**
(45) **Date of Patent:** **** Mar. 1, 2016**

(54) **EQUIPMENT ANCHORING HOOK**

(71) Applicant: **Jared Kuka**, Chattanooga, TN (US)

(72) Inventor: **Jared Kuka**, Chattanooga, TN (US)

(**) Term: **14 Years**

(21) Appl. No.: **29/501,411**

(22) Filed: **Sep. 4, 2014**

(51) **LOC (10) Cl.** **08-05**

(52) **U.S. Cl.**
USPC **D8/367**

(58) **Field of Classification Search**
USPC D8/367, 354, 349; 248/301, 302, 303,
248/304, 339; 24/132 R
CPC A47G 25/00; A47G 1/00
See application file for complete search history.

(56) **References Cited**

U.S. PATENT DOCUMENTS

- 214,874 A * 4/1879 Beugnies A44C 5/0092
24/7
- 427,642 A * 5/1890 Wack D06F 53/04
24/698.1
- 2,814,861 A * 12/1957 O'Connell H02G 7/06
248/339
- D263,021 S * 2/1982 Siegfried D11/5
- D271,385 S * 11/1983 Novak D11/131
- D286,261 S * 10/1986 Smederod 160/349.2
- D357,624 S * 4/1995 Ferdman D8/368
- D380,665 S * 7/1997 Berg D8/367
- 6,270,048 B1 * 8/2001 Carlson B60P 1/00
224/560
- D464,559 S * 10/2002 Bjorklund D8/356
- D468,192 S * 1/2003 Lee D8/367
- D468,699 S * 1/2003 Bugg D13/155
- D474,105 S * 5/2003 Lee D8/367
- 6,736,356 B1 * 5/2004 Murphy A46B 17/02
248/112
- D499,008 S * 11/2004 Chang D8/370
- D565,934 S * 4/2008 Volkwein D8/356
- 7,410,139 B1 * 8/2008 Rohrich F16B 2/065
248/302
- D608,623 S * 1/2010 Snell D8/367

- D653,924 S * 2/2012 Heitz, Jr. D8/370
- D679,095 S * 4/2013 Williams D3/328
- D682,222 S * 5/2013 Crucitti D13/155
- D700,830 S * 3/2014 Brockman D8/367
- 8,746,640 B2 * 6/2014 Broadley F16M 13/02
248/220.21
- D708,446 S * 7/2014 Goodman D6/323
- D723,242 S * 3/2015 Walker D1/125
- D725,343 S * 3/2015 Rogers D1/125
- 2006/0202102 A1 * 9/2006 Niececki A47G 33/10
248/692
- 2007/0252061 A1 * 11/2007 Feetham G10G 5/00
248/302
- 2009/0294491 A1 * 12/2009 Carver A47G 25/08
223/85

* cited by examiner

Primary Examiner — Cynthia Underwood

(74) *Attorney, Agent, or Firm* — Ryan D. Levy; Patterson Intellectual Property Law, P.C.

(57) **CLAIM**

What is claimed is the ornamental design for an equipment anchoring hook, as shown and described.

DESCRIPTION

FIG. 1 is a front perspective view of the equipment anchoring hook of the Applicant's invention.

FIG. 2 is a front view of the equipment anchoring hook of the Applicant's invention.

FIG. 3 is a rear view of the equipment anchoring hook of the Applicant's invention.

FIG. 4 is a top view of the equipment anchoring hook of the Applicant's invention.

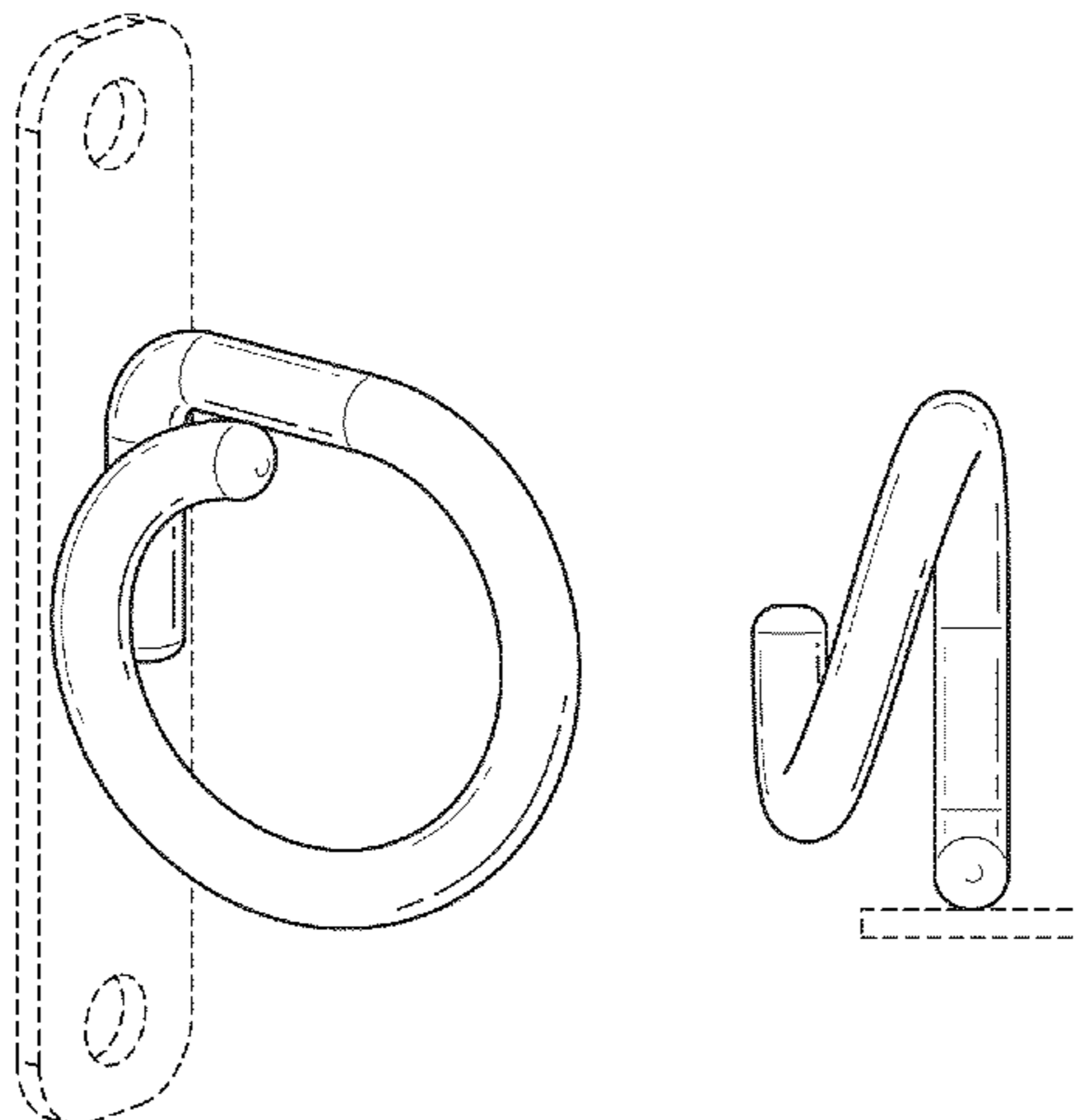
FIG. 5 is a bottom view of the equipment anchoring hook of the Applicant's invention.

FIG. 6 is a left side view of the equipment anchoring hook of the Applicant's invention; and,

FIG. 7 is a right side view of the equipment anchoring hook of the Applicant's invention.

The broken lines in the drawings depict environmental subject matter/or parts of the equipment anchoring hook and form no part of the claimed design.

1 Claim, 2 Drawing Sheets



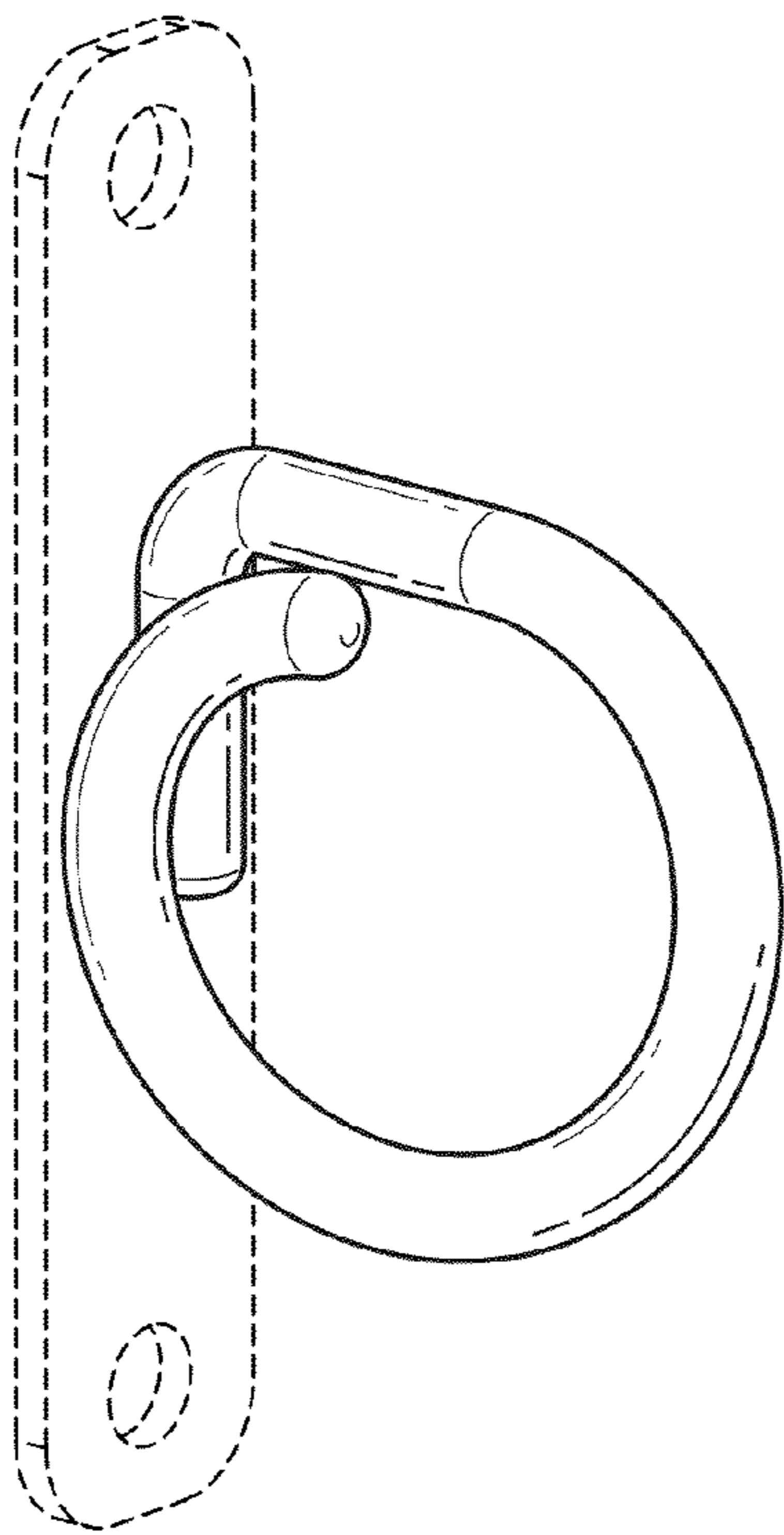


FIG. 1

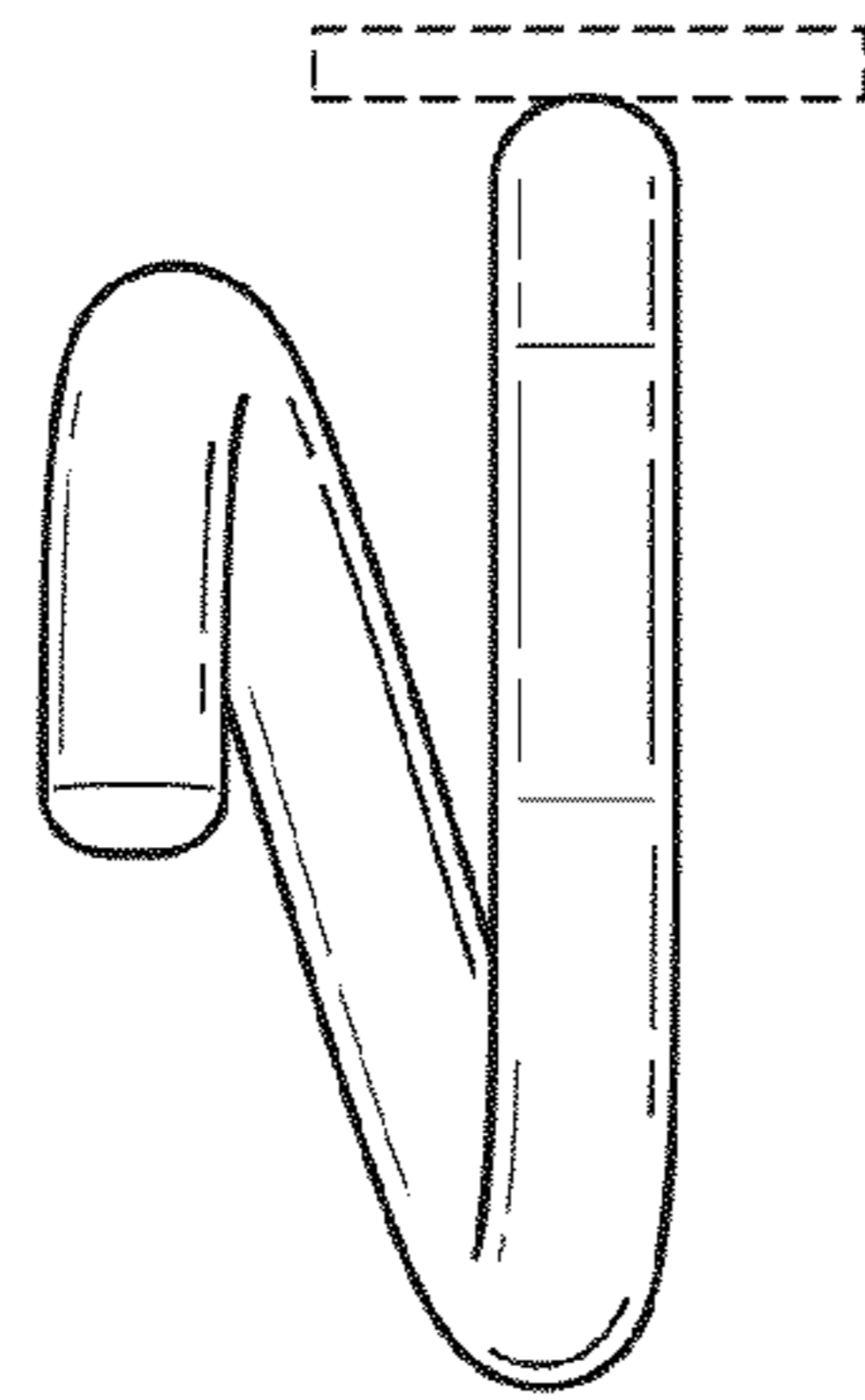


FIG. 4

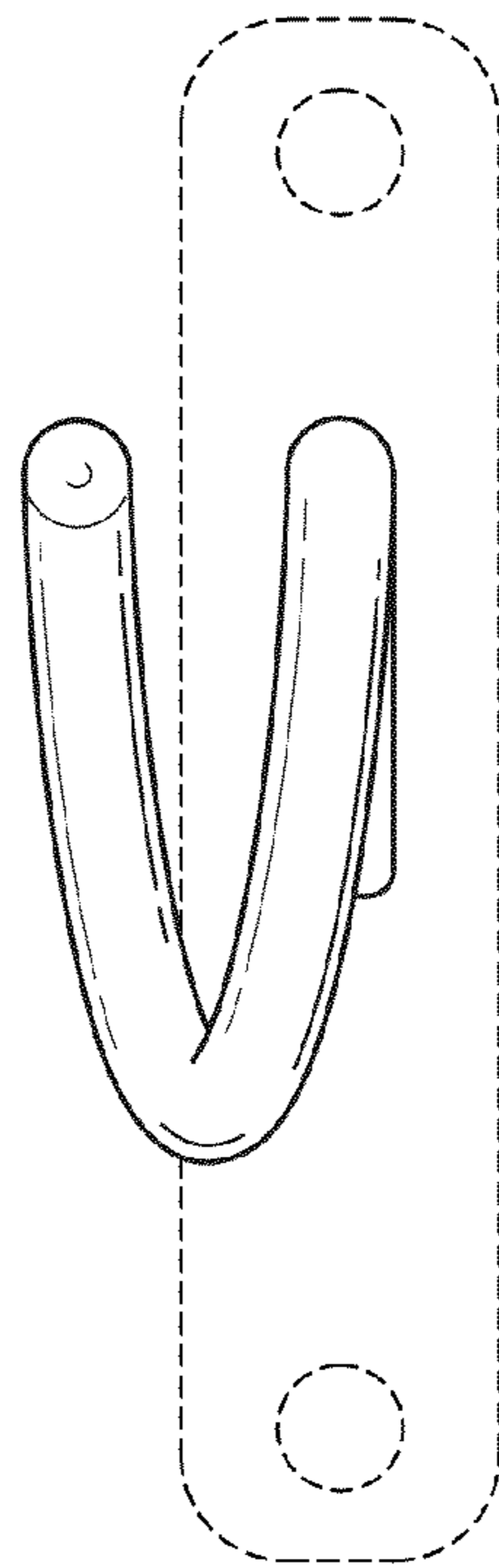


FIG. 2

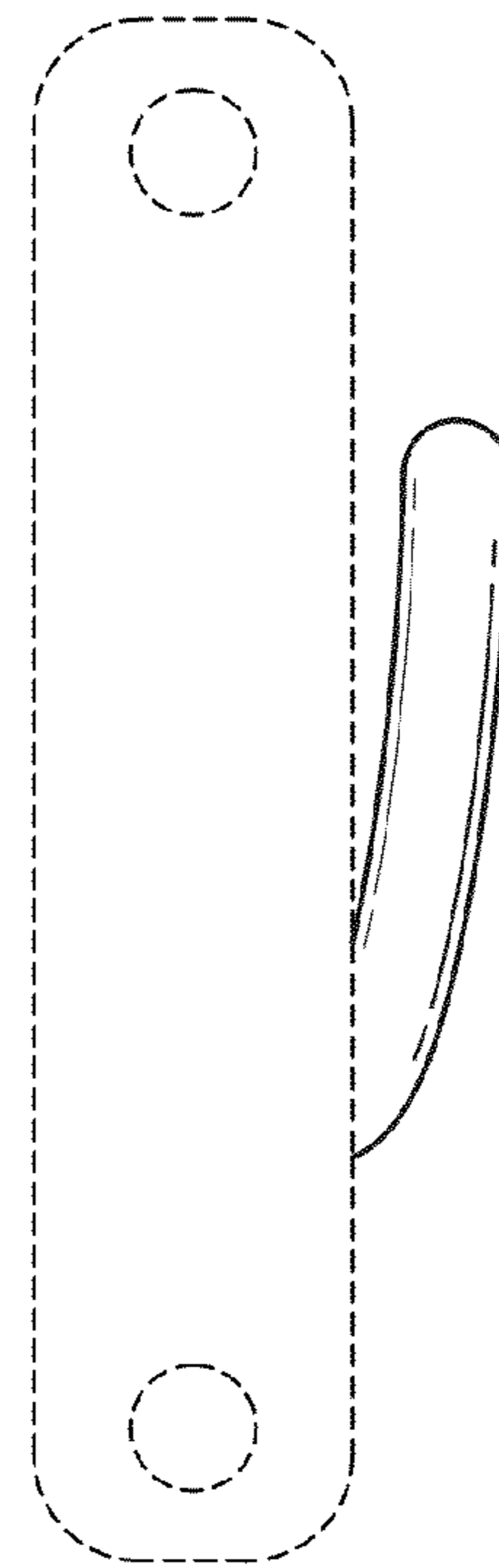


FIG. 3

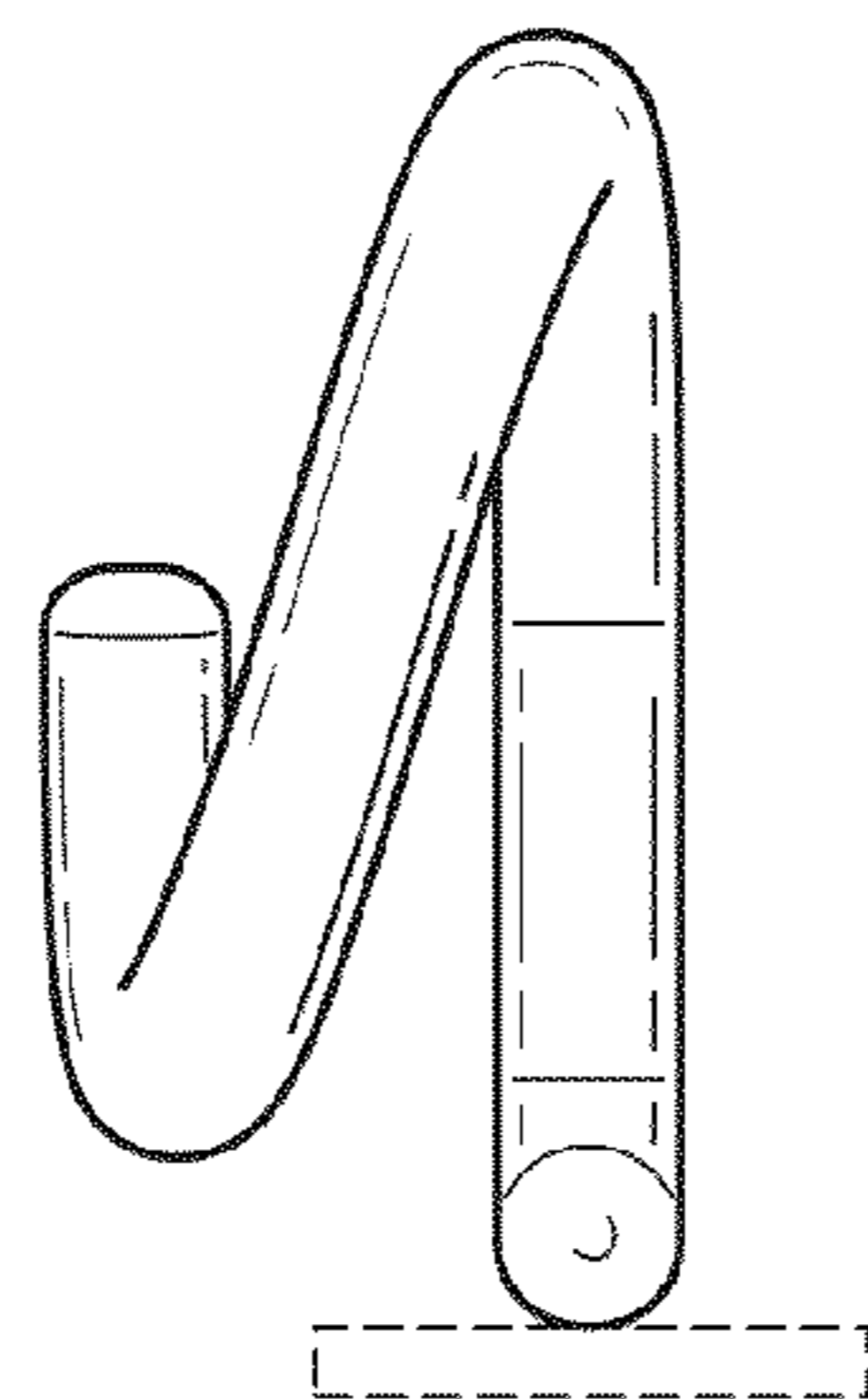


FIG. 5

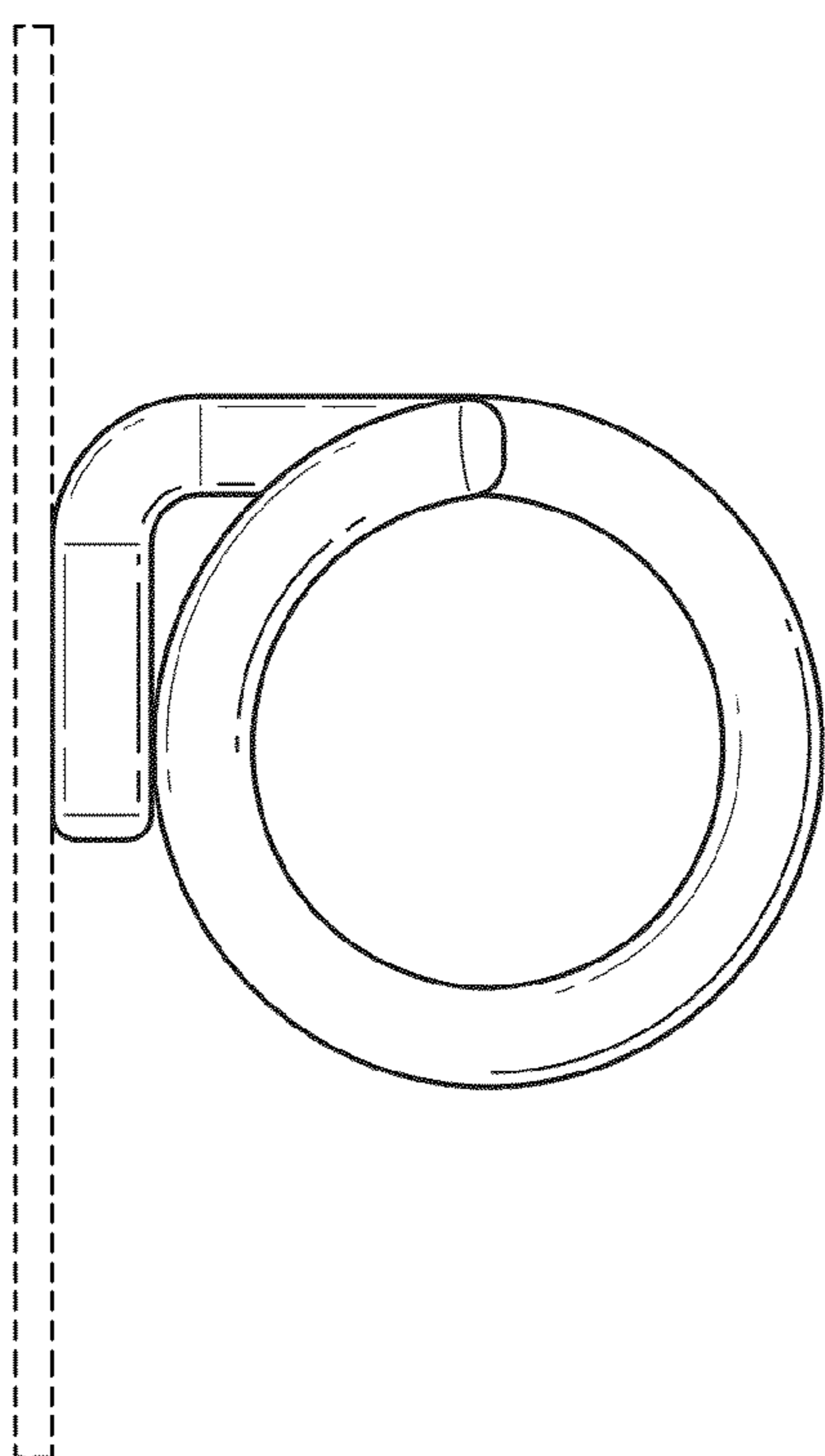


FIG. 6

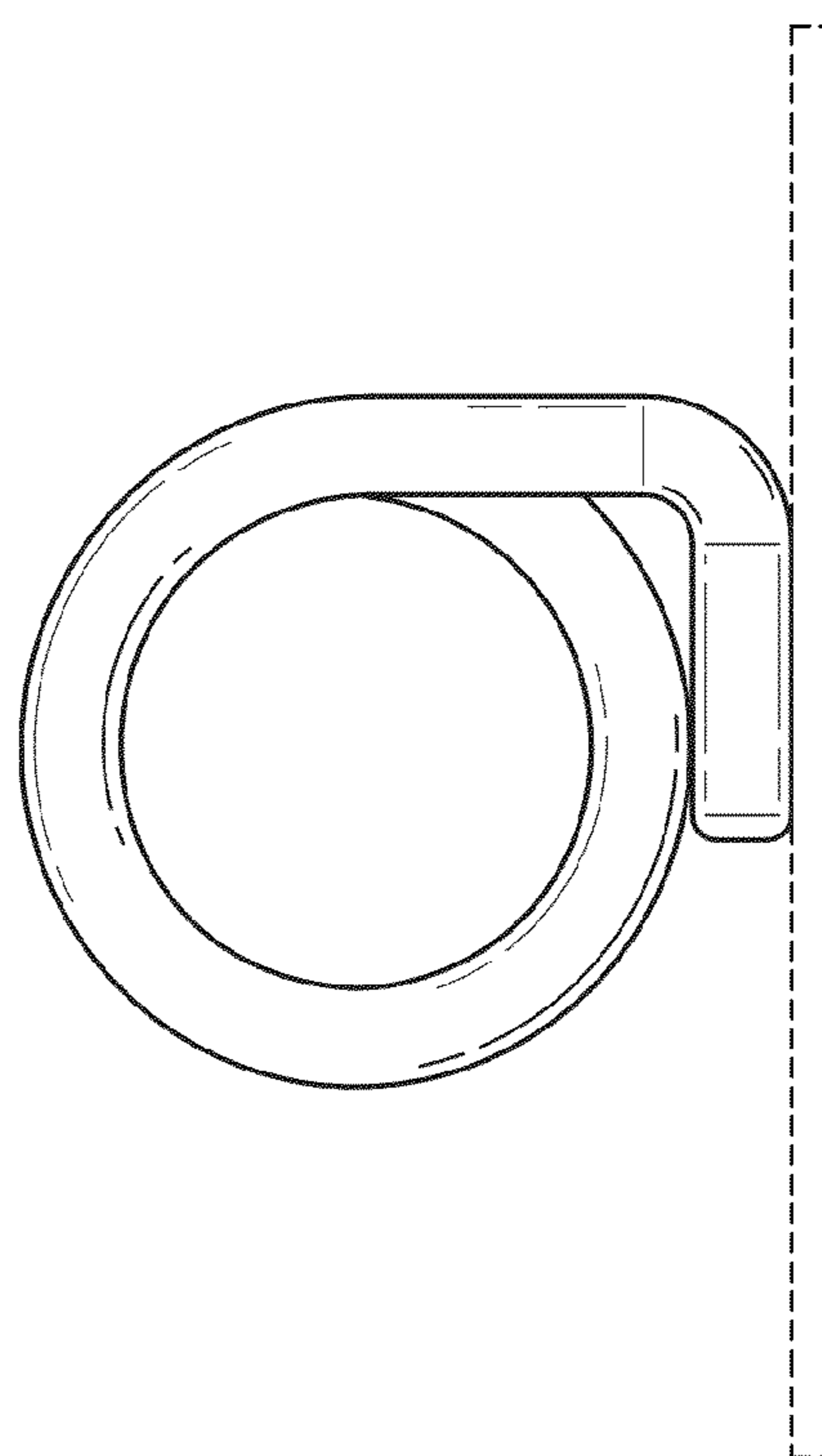


FIG. 7