



US00D750469S

(12) **United States Design Patent**
Bird

(10) **Patent No.:** **US D750,469 S**
(45) **Date of Patent:** **** Mar. 1, 2016**

- (54) **BRACKET**
- (71) Applicant: **Gregory M. Bird**, Solon, OH (US)
- (72) Inventor: **Gregory M. Bird**, Solon, OH (US)
- (73) Assignee: **Fasteners For Retail, Inc.**, Twinsburg, OH (US)
- (**) Term: **14 Years**
- (21) Appl. No.: **29/470,146**
- (22) Filed: **Oct. 17, 2013**

- D251,343 S 3/1979 Hansen
- 4,854,534 A 8/1989 Porter
- D310,165 S 8/1990 Cobb
- D384,879 S 10/1997 Carlson
- 5,692,717 A 12/1997 Glaeser
- 5,931,429 A 8/1999 Hellwig et al.
- D424,121 S 5/2000 Kump
- D425,134 S 5/2000 Kump
- 6,082,687 A 7/2000 Kump et al.
- 6,289,618 B1 9/2001 Kump et al.
- 6,341,755 B1 1/2002 Kump
- 6,354,546 B1 3/2002 Mueller
- D474,395 S 5/2003 Mueller
- D496,693 S 9/2004 Mueller
- 7,114,277 B2 10/2006 Valiulis et al.

(Continued)

Related U.S. Application Data

- (62) Division of application No. 29/396,753, filed on Jul. 6, 2011, now Pat. No. Des. 698,623.
- (51) **LOC (10) Cl.** **08-05**
- (52) **U.S. Cl.**
USPC **D8/354**
- (58) **Field of Classification Search**
USPC D8/349, 354, 380, 382, 366, 363, 371, D8/373, 376; 248/300, 237, 309.1, 200, 248/205.1, 207, 214, 235, 247, 351, 248/220.41; 52/188, 182, 191, 702, 712, 52/745.06, 189, 506.5, 586.1; 29/428, 29/525.01, 464; 249/14, 205, 208; 403/167, 169; 211/86.01, 90.01, 105.1, 211/193, 134; 108/152; 40/642.02; D12/400, 223, 159; D15/21, 28
CPC A47B 96/06; A47F 5/0068; G09F 3/204
See application file for complete search history.

(56) **References Cited**

U.S. PATENT DOCUMENTS

- 852,975 A 5/1907 Morgan
- 1,037,122 A 8/1912 Buffinger et al.
- D47,283 S 5/1915 Eagan
- D240,013 S 5/1976 McKey

OTHER PUBLICATIONS

FFR-DSI Yellow Pages 2011 Product Catalog, cover page, pp. 104 and 114-116.

Primary Examiner — Mark Goodwin

(74) *Attorney, Agent, or Firm* — Fay Sharpe LLP

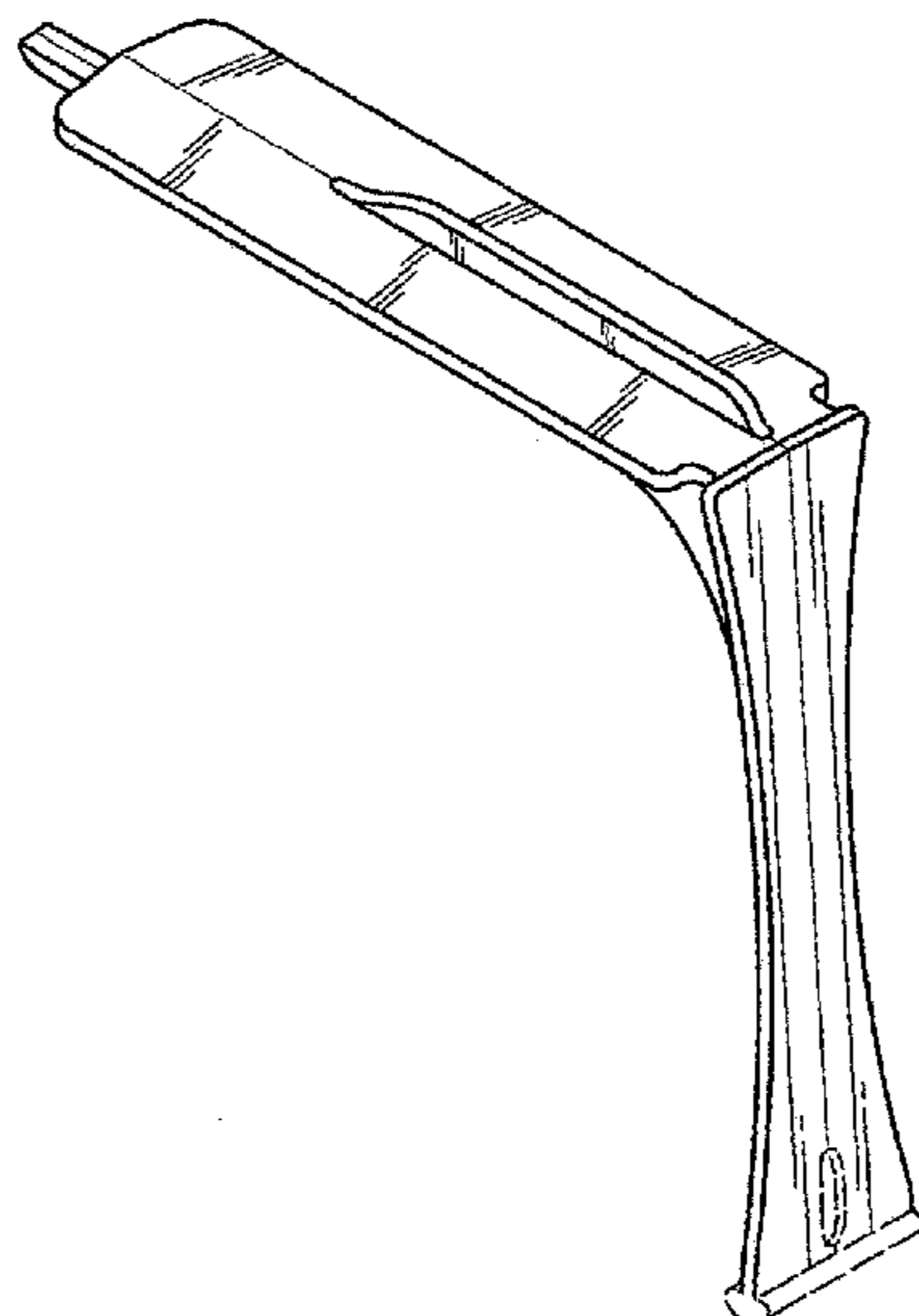
(57) **CLAIM**

The ornamental design for a bracket, as shown and described.

DESCRIPTION

FIG. 1 is a perspective view of a first embodiment of a bracket showing my new design;
 FIG. 2 is a front elevational view thereof;
 FIG. 3 is a left side elevational view thereof, with the right side elevational view being a mirror image thereof;
 FIG. 4 is a perspective view of a second embodiment of a bracket showing my new design;
 FIG. 5 is a front elevational view thereof;
 FIG. 6 is a top plan view thereof; and,
 FIG. 7 is a left side elevational view thereof, with the right side elevational view being a mirror image thereof.
 The parts illustrated in broken lines in FIG. 3 and 7 form no part of the claimed design.

1 Claim, 2 Drawing Sheets



US D750,469 S

Page 2

(56)

References Cited

U.S. PATENT DOCUMENTS

D592,669 S 5/2009 Malisse et al.
D609,554 S 2/2010 Koizumi

7,726,057 B2 6/2010 Brinkman et al.
7,740,144 B2 6/2010 Kosir
D698,623 S * 2/2014 Bird D8/354

* cited by examiner

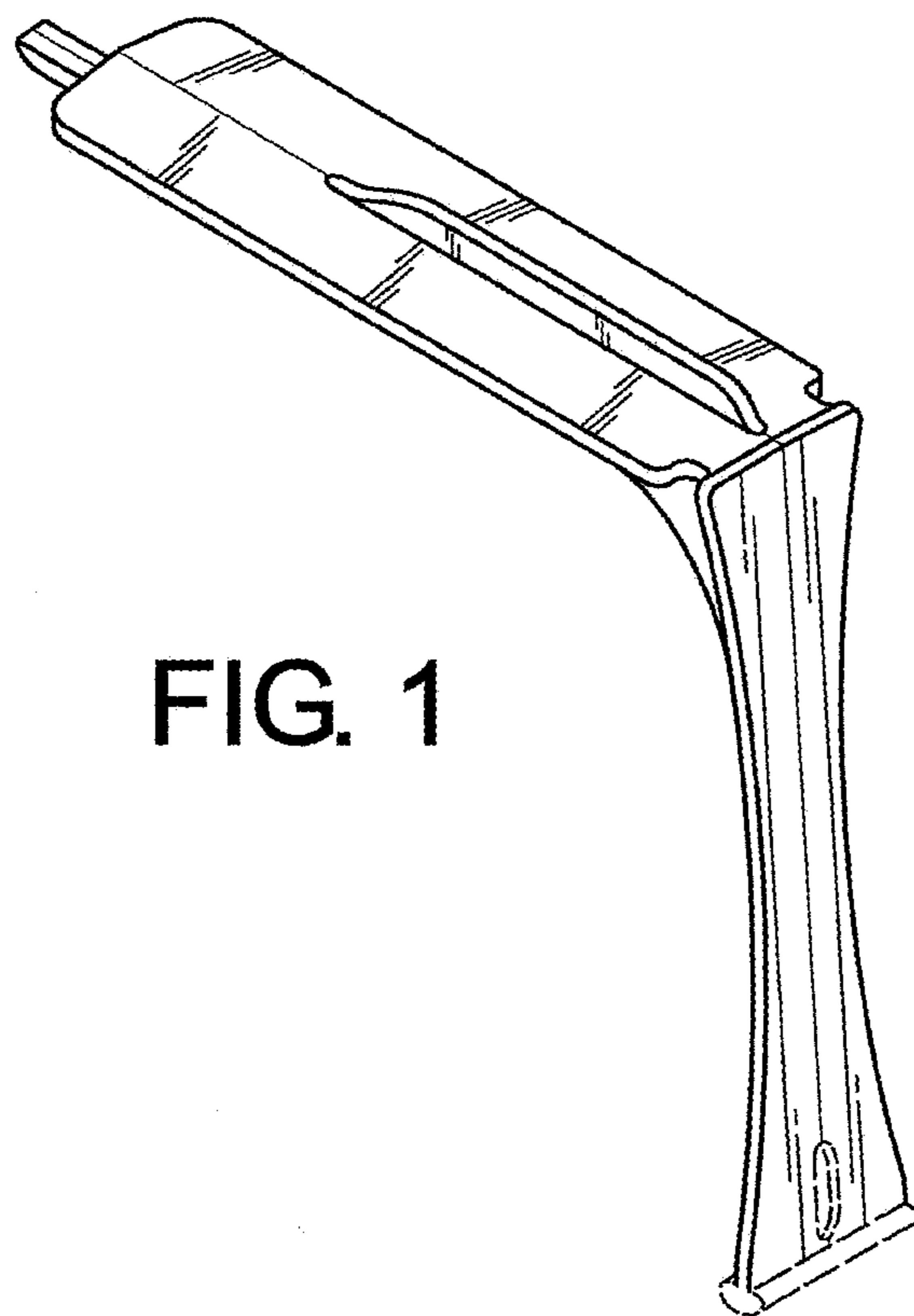


FIG. 1

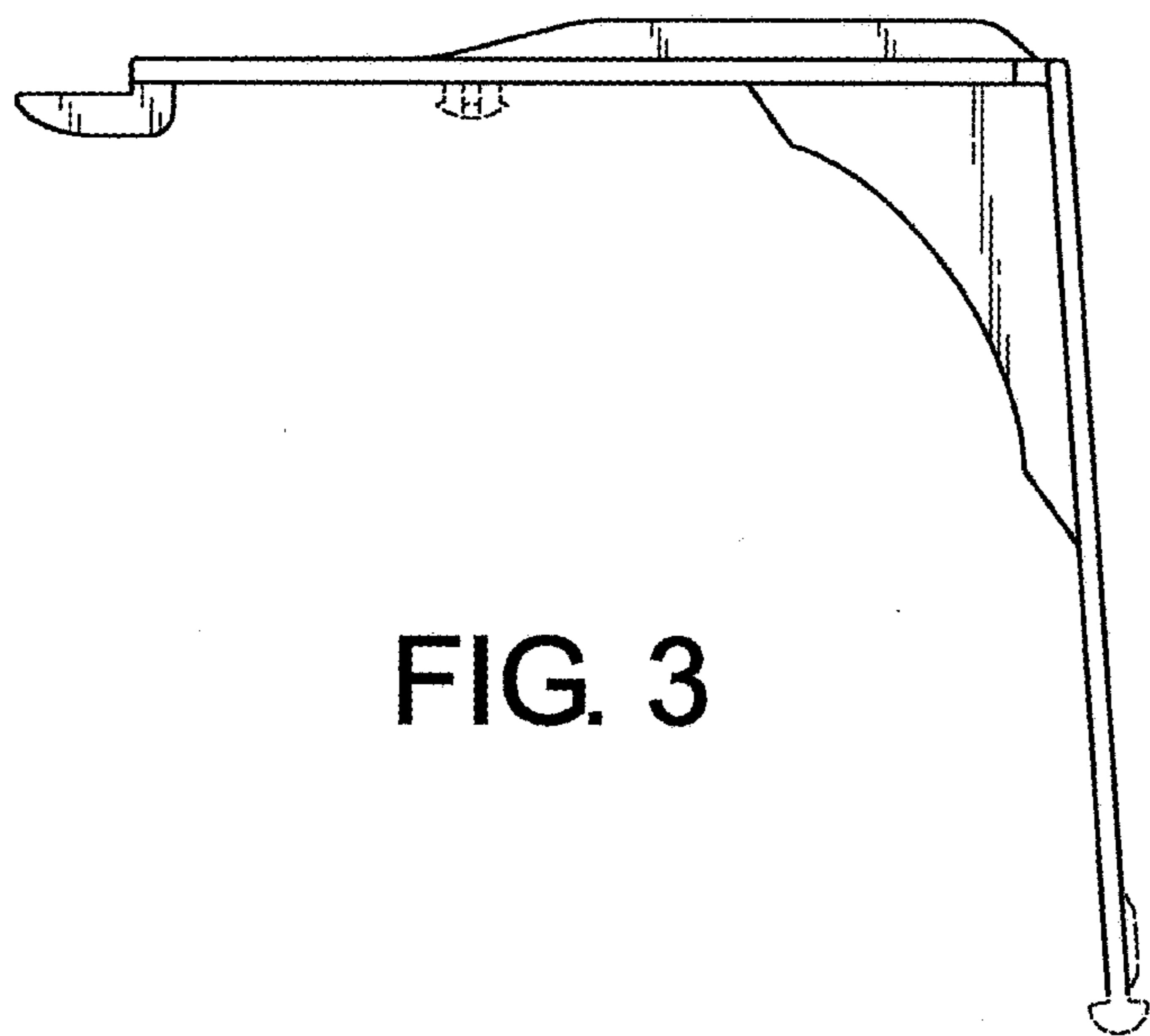


FIG. 3

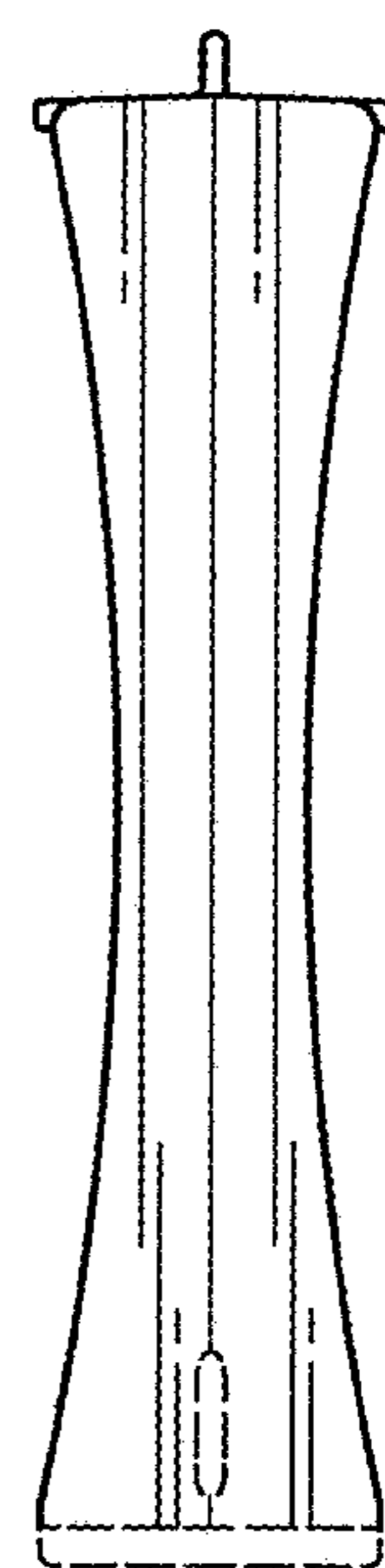


FIG. 2

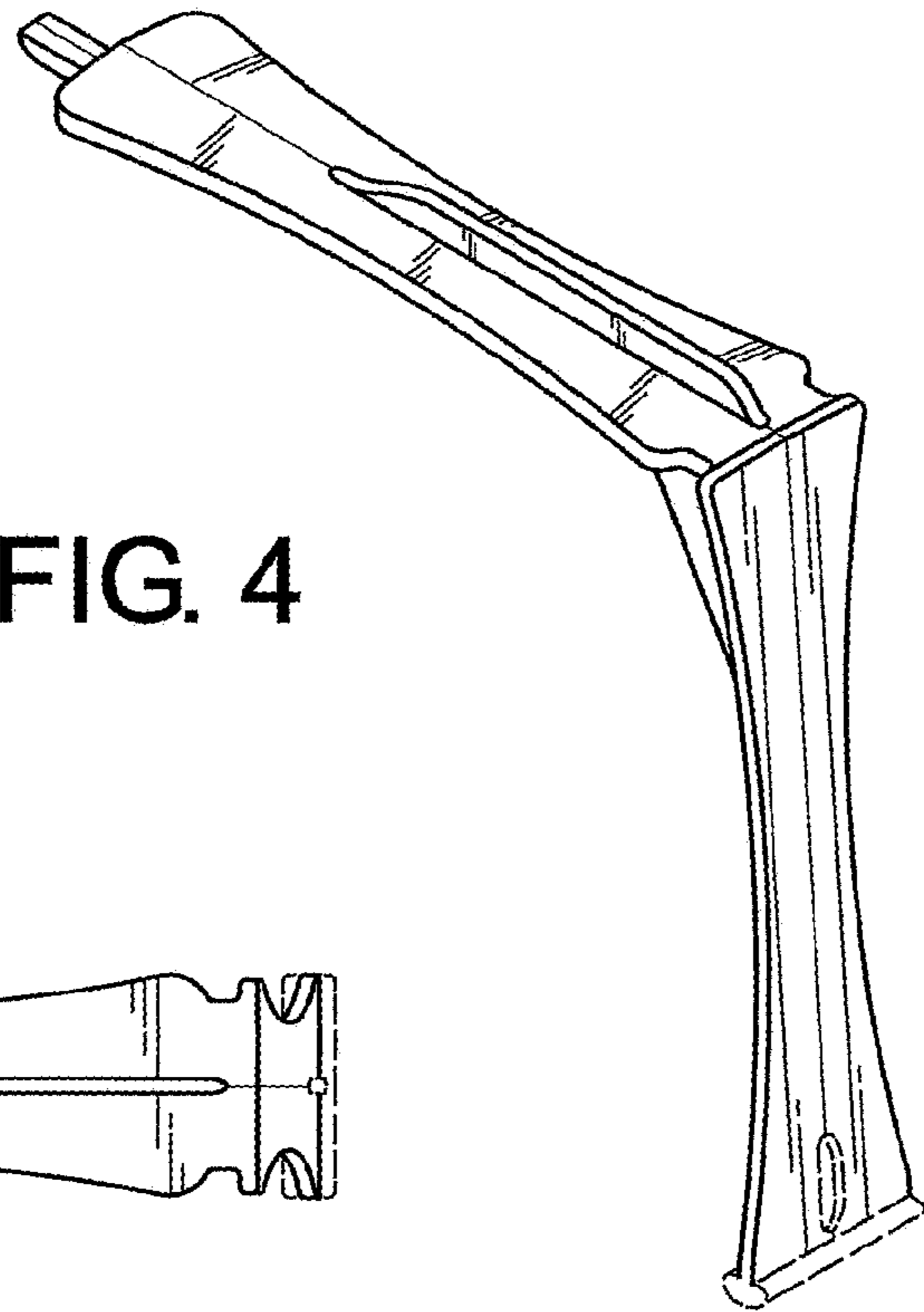


FIG. 4

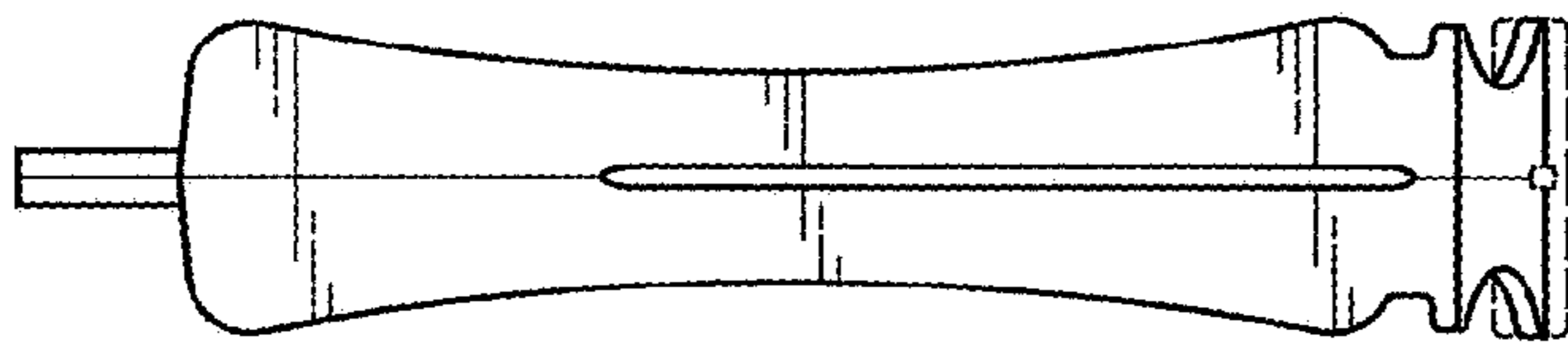


FIG. 6

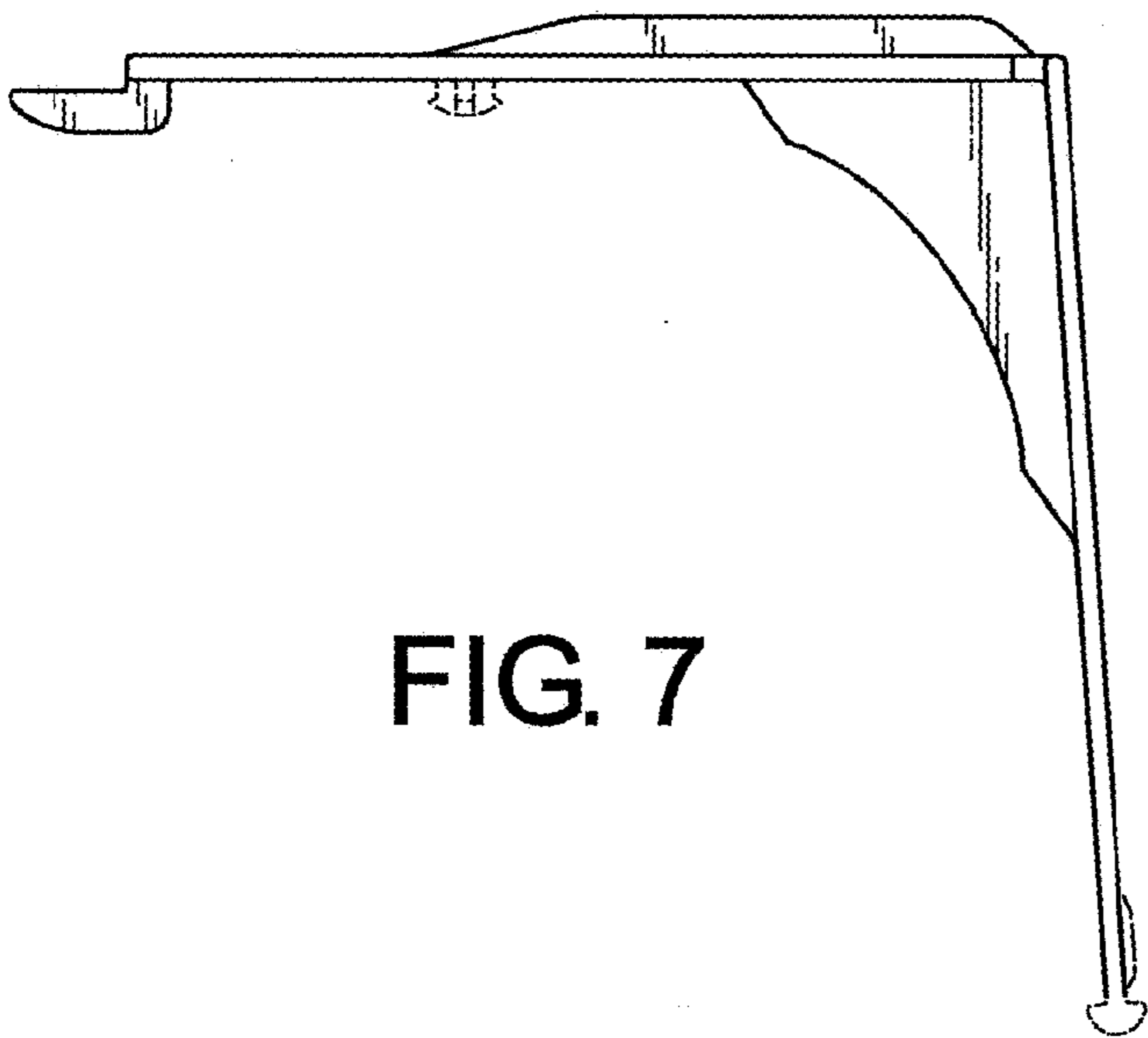


FIG. 7

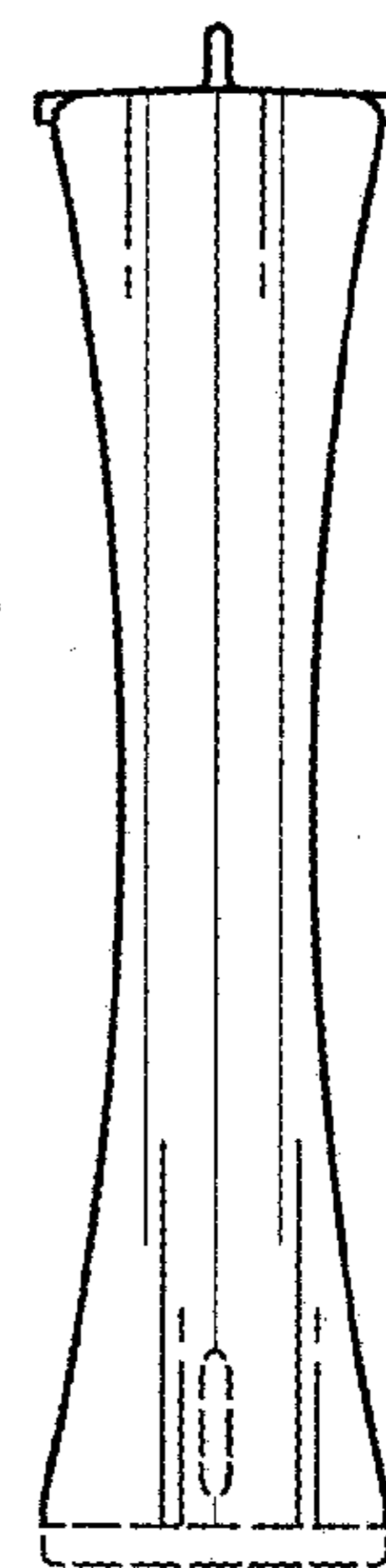


FIG. 5