



US00D750468S

(12) **United States Design Patent**
Bird

(10) **Patent No.:** **US D750,468 S**
(45) **Date of Patent:** **** Mar. 1, 2016**

- (54) **BRACKET**
- (71) Applicant: **Gregory M. Bird**, Solon, OH (US)
- (72) Inventor: **Gregory M. Bird**, Solon, OH (US)
- (73) Assignee: **Fastners For Retail, Inc.**, Twinsburg, OH (US)
- (**) Term: **14 Years**
- (21) Appl. No.: **29/470,139**
- (22) Filed: **Oct. 17, 2013**

4,854,534	A	8/1989	Porter
D310,165	S	8/1990	Cobb
D384,879	S	10/1997	Carlson
5,692,717	A	12/1997	Glaeser
5,931,429	A	8/1999	Hellwig et al.
D424,121	S	5/2000	Kump
D425,134	S	5/2000	Kump
6,082,687	A	7/2000	Kump et al.
6,289,618	B1	9/2001	Kump et al.
6,341,755	B1	1/2002	Kump
6,354,546	B1	3/2002	Mueller
D474,395	S	5/2003	Mueller
D496,693	S	9/2004	Mueller
7,114,277	B2	10/2006	Valiulis et al.
D592,669	S	5/2009	Malisse et al.
D609,554	S	2/2010	Koizumi
7,726,057	B2	6/2010	Brinkman et al.
7,740,144	B2	6/2010	Kosir
D698,623	S *	2/2014	Bird D8/354

Related U.S. Application Data

- (62) Division of application No. 29/396,753, filed on Jul. 6, 2011, now Pat. No. Des. 698,623.
- (51) **LOC (10) Cl.** **08-05**
- (52) **U.S. Cl.**
USPC **D8/354**
- (58) **Field of Classification Search**
USPC D8/349, 354, 380, 382, 366, 363, 371, D8/373, 376; 248/300, 237, 309.1, 200, 248/205.1, 207, 214, 235, 247, 351, 248/220.41; 52/188, 182, 191, 702, 712, 52/745.06, 189, 506.5, 586.1; 29/428, 29/525.01, 464; 249/14, 205, 208; 403/167, 169; 211/86.01, 90.01, 105.1, 211/193, 134; 108/152; 40/642.02; D12/400, 223, 159; D15/21, 28
CPC A47B 96/06; A47F 5/0068; G09F 3/204
See application file for complete search history.

(56) **References Cited**

U.S. PATENT DOCUMENTS

852,975	A	5/1907	Morgan
1,037,122	A	8/1912	Buffinger et al.
D47,283	S	5/1915	Eagan
D240,013	S	5/1976	McKey
D251,343	S	3/1979	Hansen

OTHER PUBLICATIONS

FFR-DSI Yellow Pages 2011 Product Catalog, cover page, pp. 104 and 114-116.

* cited by examiner

Primary Examiner — Mark Goodwin

(74) *Attorney, Agent, or Firm* — Fay Sharpe LLP

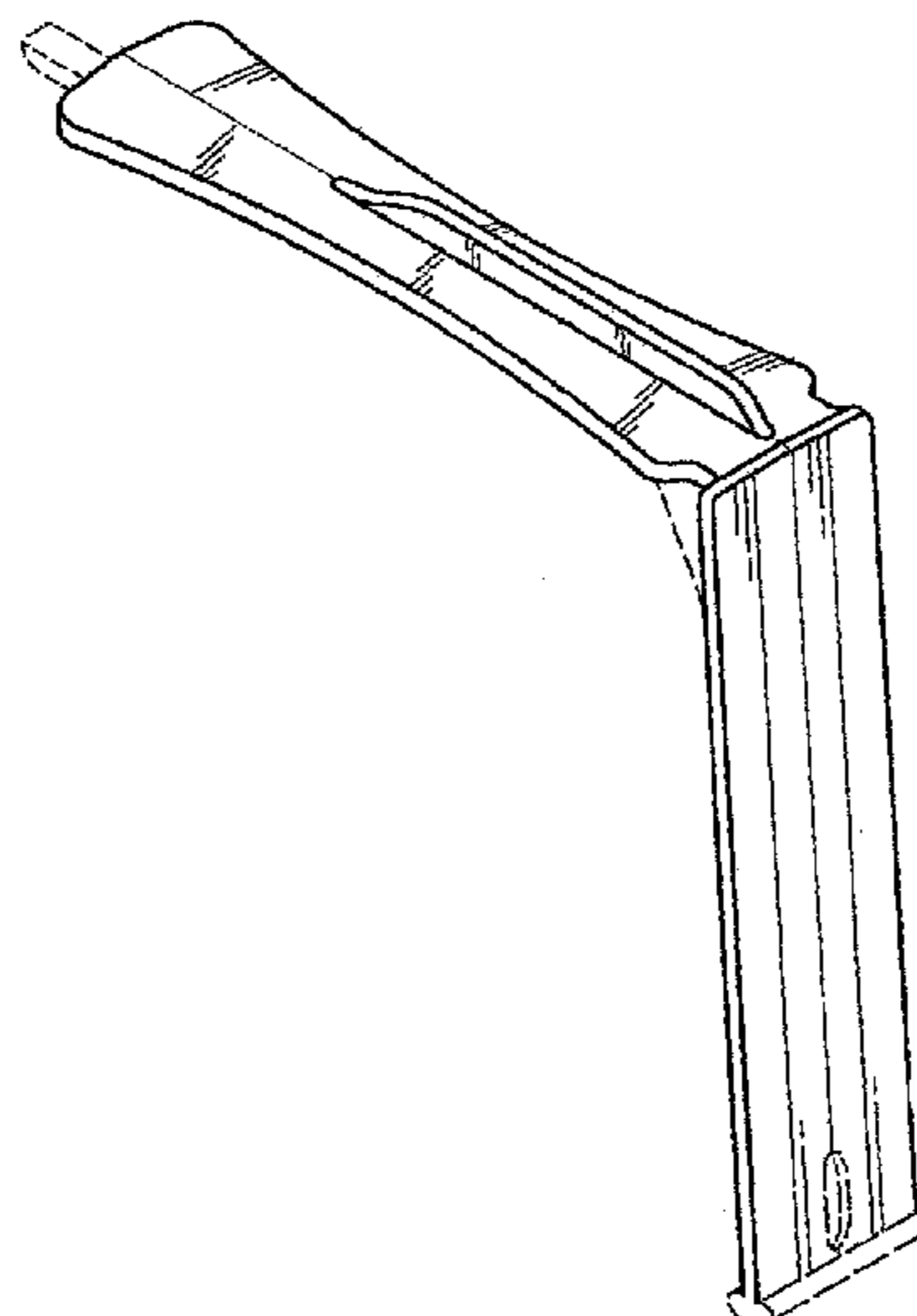
(57) **CLAIM**

The ornamental design for a bracket, as shown and described.

DESCRIPTION

FIG. 1 is a perspective view of a first embodiment of a bracket showing my new design;
 FIG. 2 is a front elevational view thereof;
 FIG. 3 is a top plan view thereof;
 FIG. 4 is a perspective view of a second embodiment of a bracket showing my new design;
 FIG. 5 is a front elevational view thereof; and,
 FIG. 6 is a top plan view thereof.
 The parts illustrated in broken lines in FIGS. 1-6 form no part of the claimed design.

1 Claim, 2 Drawing Sheets



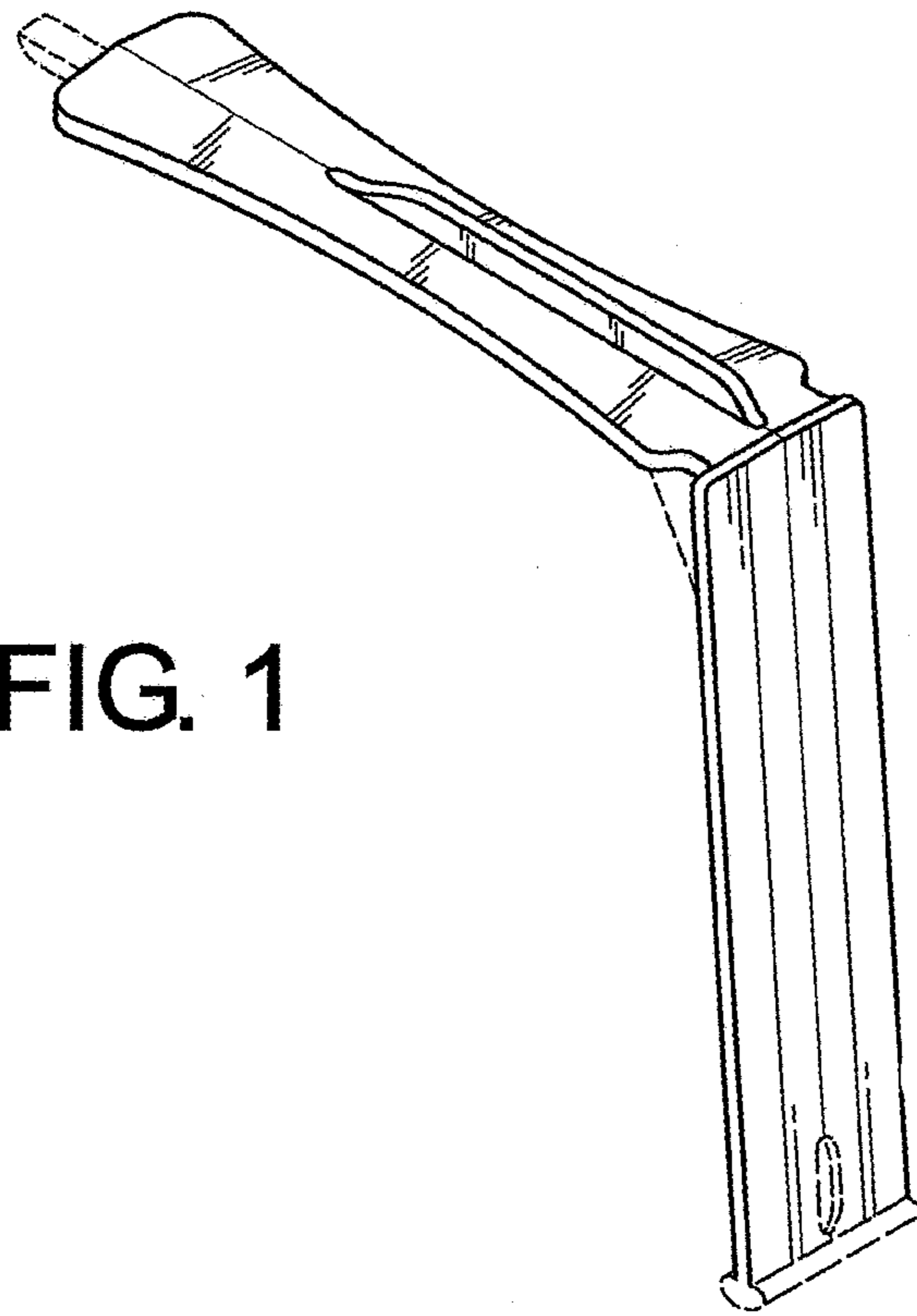


FIG. 1

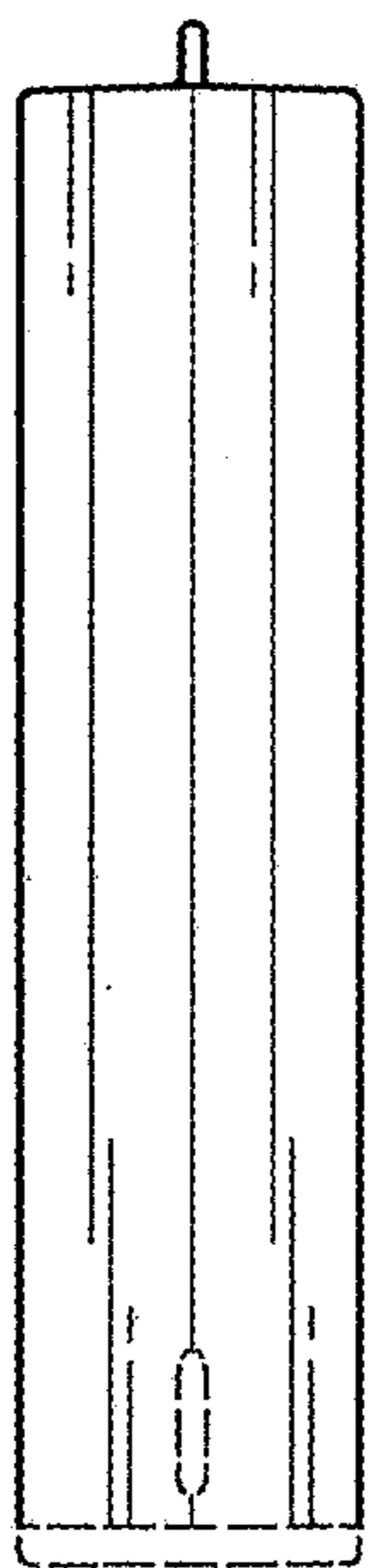


FIG. 2

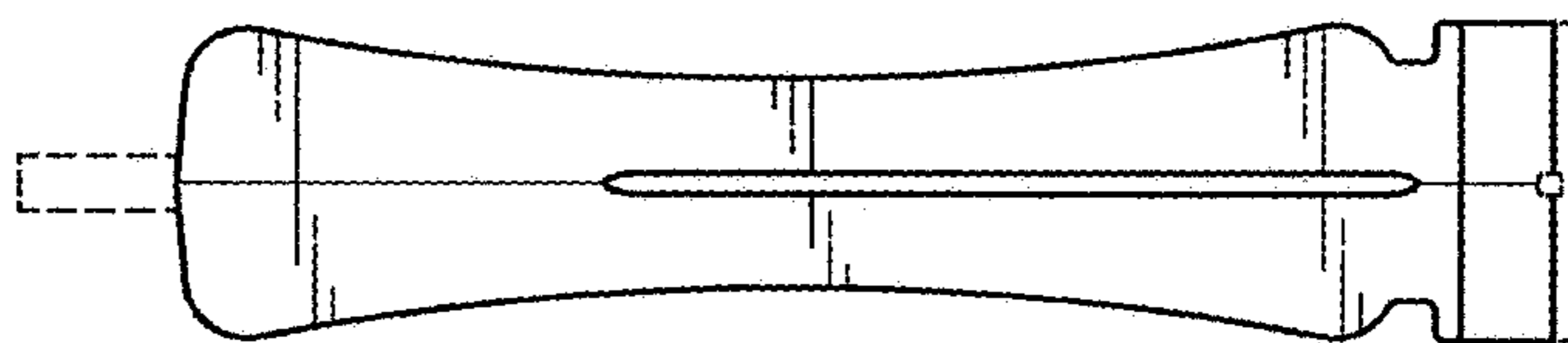


FIG. 3

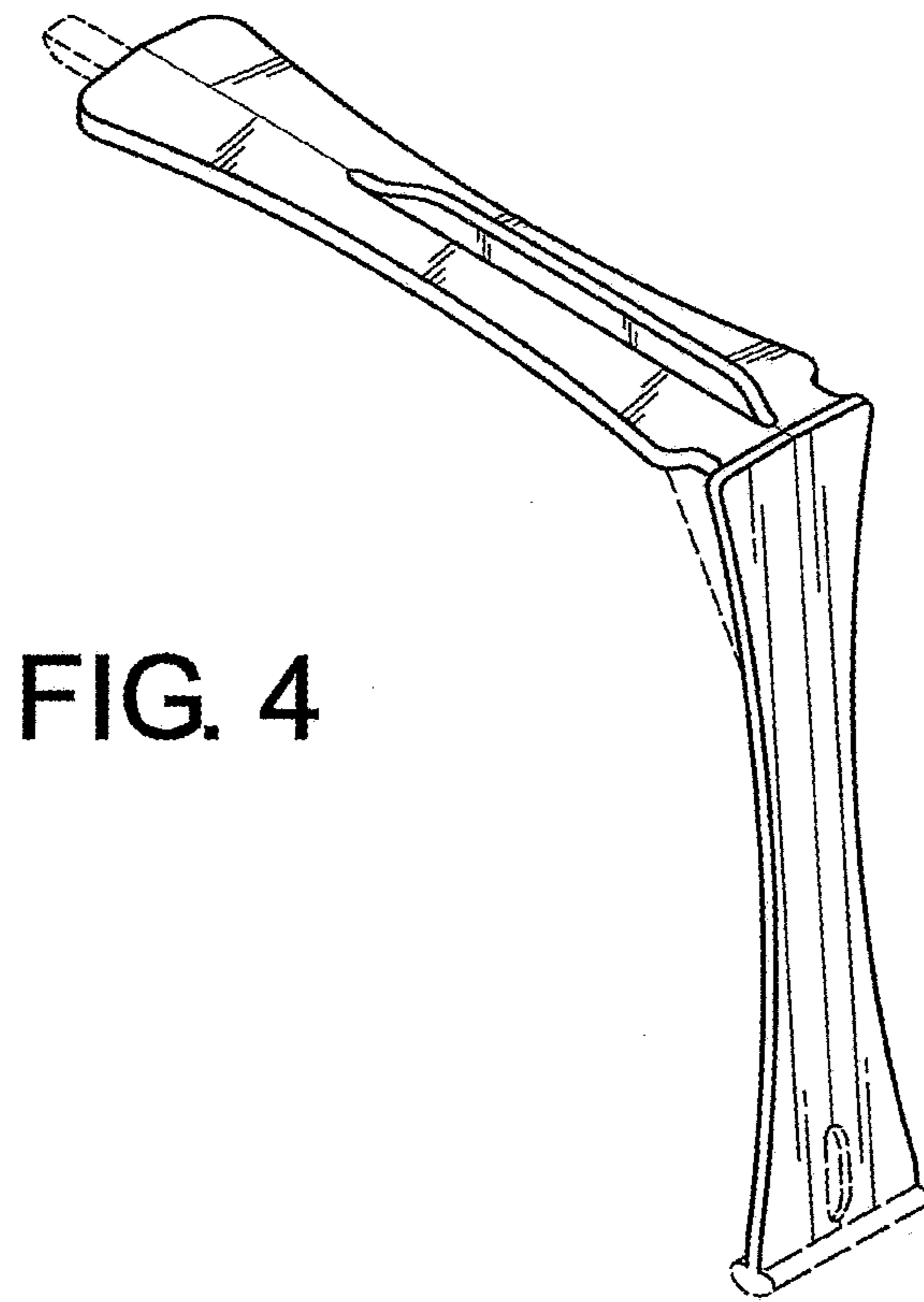


FIG. 4

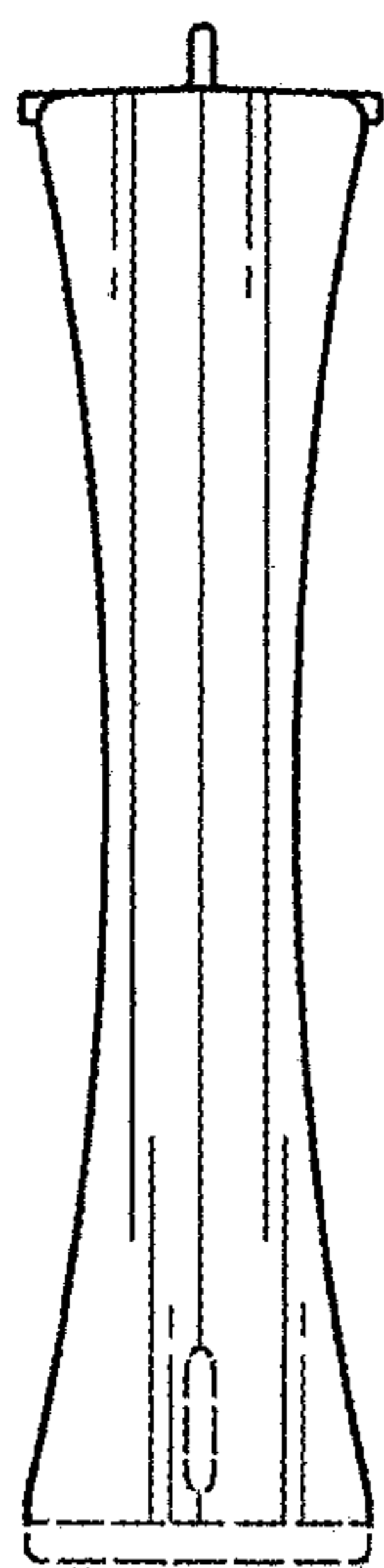


FIG. 5

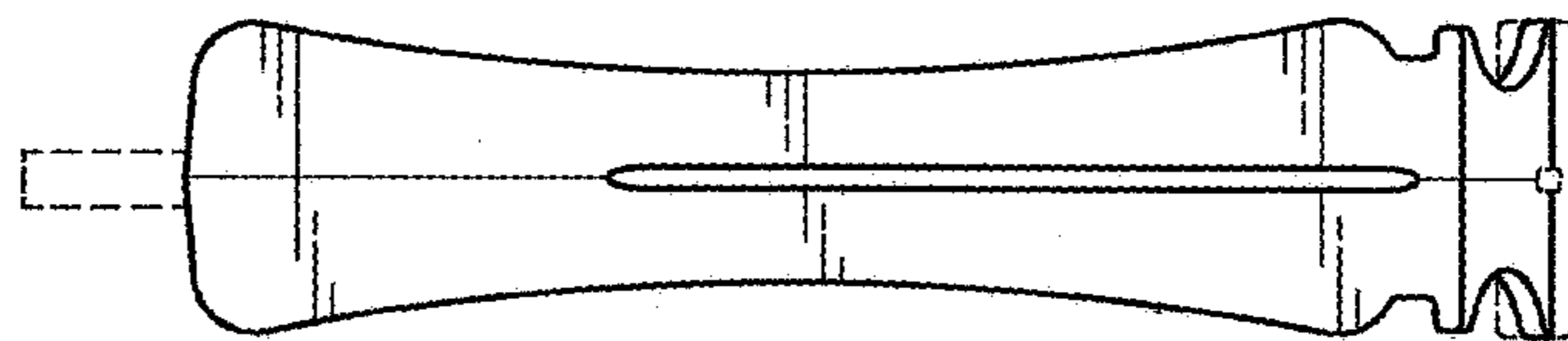


FIG. 6