



US00D750465S

(12) **United States Design Patent**  
**Smith**

(10) **Patent No.:** **US D750,465 S**  
(45) **Date of Patent:** **\*\* Mar. 1, 2016**

- (54) **HINGE**
- (71) Applicant: **Centor Design Pty Ltd**, Eagle Farm (AU)
- (72) Inventor: **Michael Smith**, Hamilton (AU)
- (73) Assignee: **CENTOR DESIGN PTY LTD**, Queensland (AU)
- (\*\*) Term: **14 Years**
- (21) Appl. No.: **29/477,199**
- (22) Filed: **Dec. 19, 2013**

1,385,131 A	7/1921	Horn	
1,760,612 A	5/1930	Trott	
2,013,500 A	9/1935	O'Connor	
3,386,489 A	6/1968	Denton et al.	
4,406,519 A	9/1983	Shaw	
4,691,753 A	9/1987	Baier	
4,819,295 A	4/1989	Kaftan	
4,823,859 A	4/1989	Park	
5,390,596 A	2/1995	Farr	
5,522,314 A	6/1996	Newman, Jr.	
D379,753 S *	6/1997	Honda	D8/323
5,659,999 A	8/1997	Benson	
5,758,704 A	6/1998	Elrod	
D396,626 S	8/1998	Francom	
D398,512 S *	9/1998	Bethurem	D8/330

(Continued)

(30) **Foreign Application Priority Data**

Jun. 20, 2013 (AU) ..... 12846/2013

(51) **LOC (10) Cl.** ..... **08-06**

(52) **U.S. Cl.**  
USPC ..... **D8/323**

(58) **Field of Classification Search**

USPC ..... D8/323, 328, 324, 330, 325, 327, 331,  
D8/336, 353, 338, 329; D16/334, 240;  
16/309, 235, 275, 244, 379, 390, 430,  
16/241, 238, 245, 236, 243, 242, 385, 225,  
16/250

CPC ..... Y10T 16/00; Y10T 16/52; Y10T 16/521;  
Y10T 16/522; Y10T 16/5275; Y10T 16/528;  
Y10T 16/532; Y10T 16/53247; Y10T  
16/54056; Y10T 16/551

See application file for complete search history.

(56) **References Cited**

**U.S. PATENT DOCUMENTS**

262,398 A	8/1882	Gerald
490,448 A	1/1893	Lugrin
520,065 A	5/1894	Lugrin
1,121,898 A	12/1914	Davis
1,330,447 A	2/1920	Pech

**FOREIGN PATENT DOCUMENTS**

BE	902207 A	8/1985
CA	2027827	4/1991

(Continued)

*Primary Examiner* — Wan Laymon

*Assistant Examiner* — Mark Booker

(74) *Attorney, Agent, or Firm* — Wells St. John P.S.

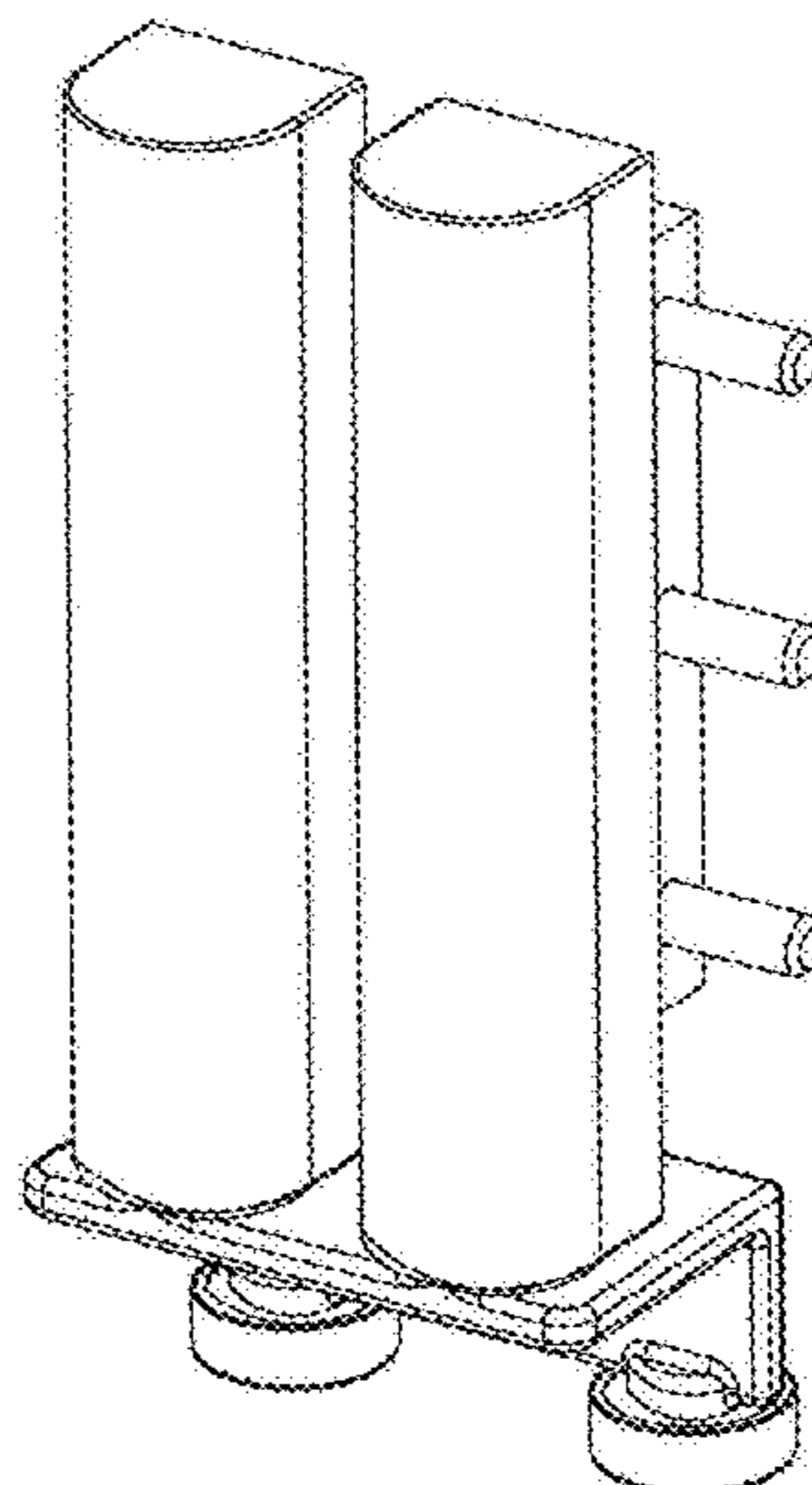
(57) **CLAIM**

I claim the ornamental design for a hinge, as shown and described.

**DESCRIPTION**

FIG. 1 is a perspective view of a design for a hinge;  
FIG. 2 is a front view thereof;  
FIG. 3 is a rear view thereof;  
FIG. 4 is a side view thereof, an opposite side view is a mirror image of the FIG. 4 side view;  
FIG. 5 is a top plan view thereof; and,  
FIG. 6 is a bottom plan view thereof.  
The broken lines shown in FIG. 3 represent portions of the hinge that form no part of the claimed design.

**1 Claim, 5 Drawing Sheets**



(56)

References Cited

FOREIGN PATENT DOCUMENTS

U.S. PATENT DOCUMENTS

D443,196	S	6/2001	Sosa	
6,742,565	B2	6/2004	Badley	
6,938,666	B1	9/2005	Ulriksen	
D544,779	S	6/2007	Loggen	
7,240,400	B2	7/2007	Bonham	
D562,108	S *	2/2008	Pester et al.	D8/323
D563,199	S *	3/2008	Liao	D8/323
D588,898	S	3/2009	Lucchini	
7,710,646	B2	5/2010	Stewart et al.	
D624,388	S	9/2010	Eland	
D679,570	S	4/2013	Farnsworth	
D699,093	S	2/2014	Farnsworth	
D712,717	S *	9/2014	Thrush et al.	D8/323
2004/0154758	A1	8/2004	Cheng	
2005/0051283	A1	3/2005	Chatellard	
2005/0077017	A1	4/2005	Ramsey	
2005/0161175	A1	7/2005	Tussinger	
2006/0090858	A1	5/2006	Heidenreich	
2008/0062516	A1	3/2008	Stewart et al.	
2008/0163988	A1	7/2008	Hicks et al.	
2010/0107369	A1 *	5/2010	Li et al.	16/374
2014/0007378	A1 *	1/2014	Pacini	16/236

CN	2237105	10/1996
DE	3936913	5/1991
DE	19807541	7/1999
EP	0207040	12/1986
EP	0429898	6/1991
EP	0911476	A1 10/1997
EP	0911476	B1 10/1997
EP	07718977	11/2012
EP	13179466	12/2013
FR	2546226	11/1984
FR	2558518	7/1985
FR	2563860	11/1985
FR	2594173	A1 8/1987
FR	2686372	7/1993
JP	9303068	11/1997
JP	10072988	3/1998
WO	87/04485	7/1987
WO	WO	5/2007
	PCT/AU2007/000731	
WO	WO	2/2008
	PCT/AU2007/000731	
WO	WO	5/2008
	PCT/AU2007/000731	

\* cited by examiner

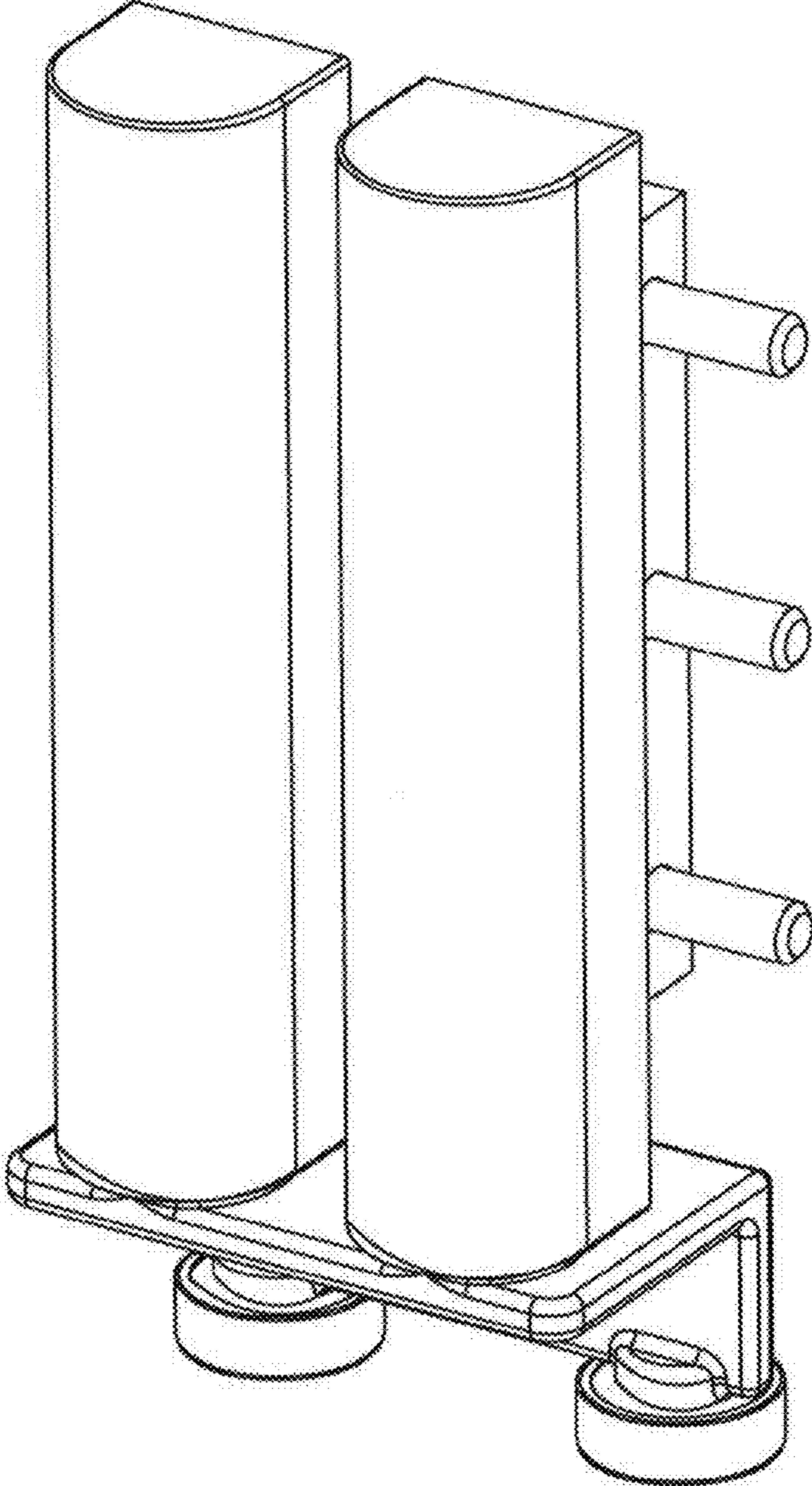


FIG. 1

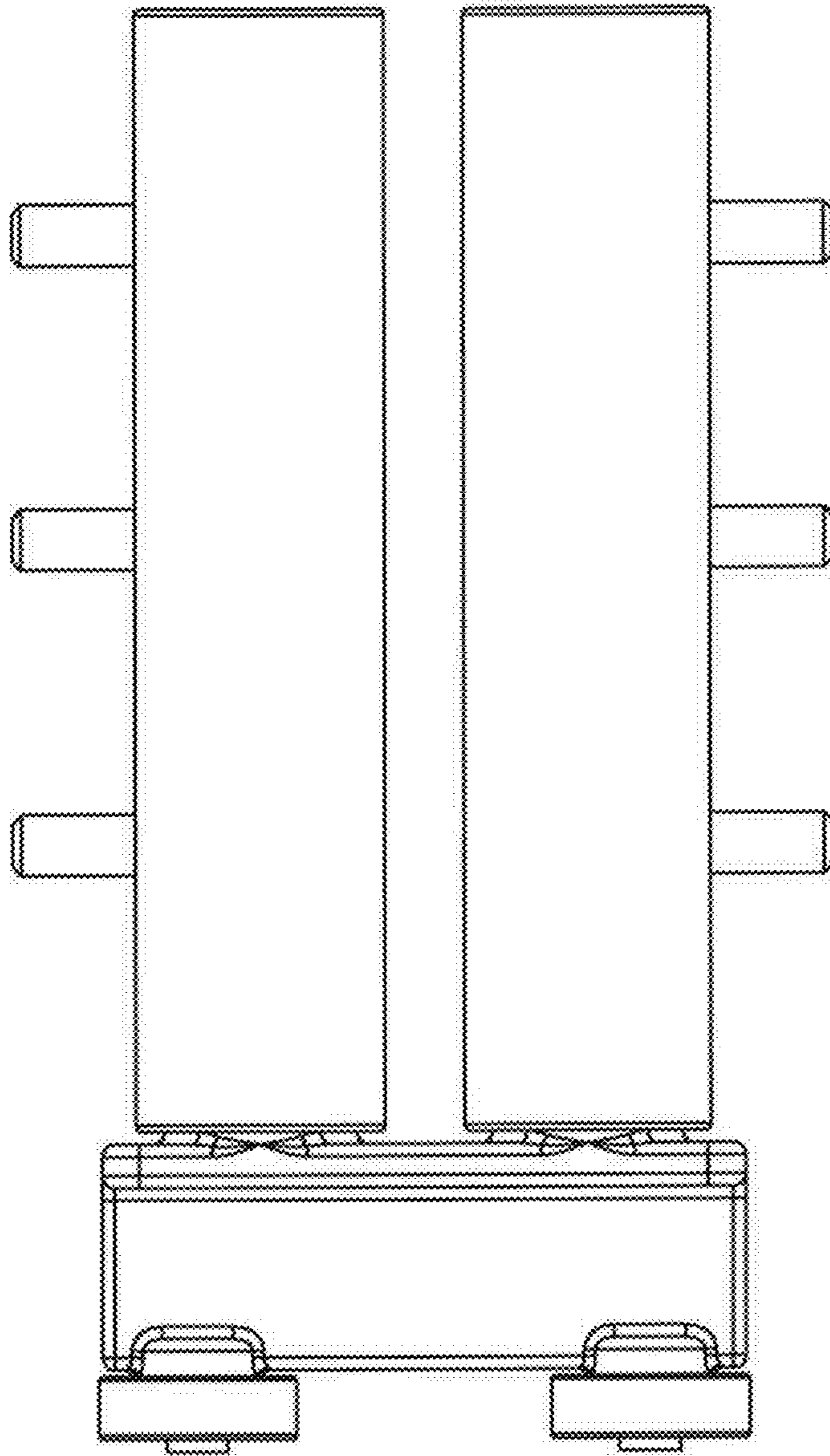


FIG. 2

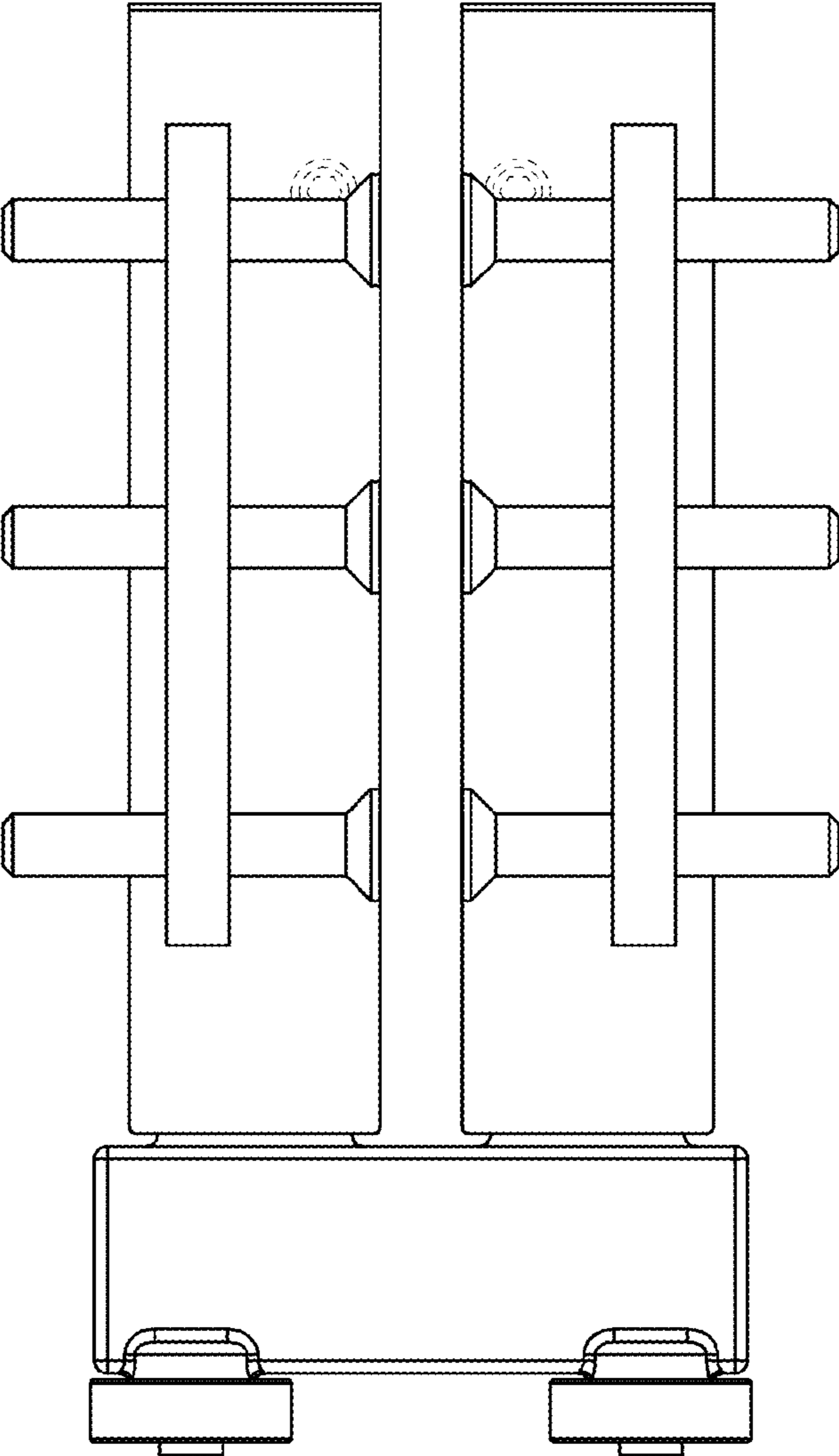
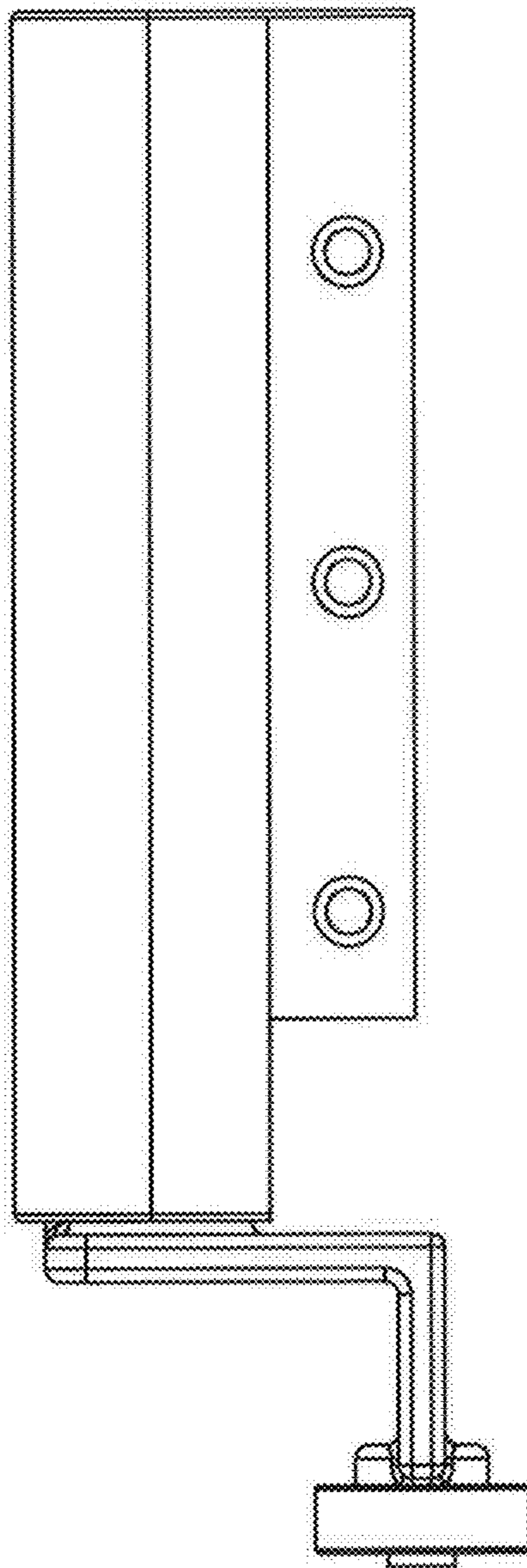
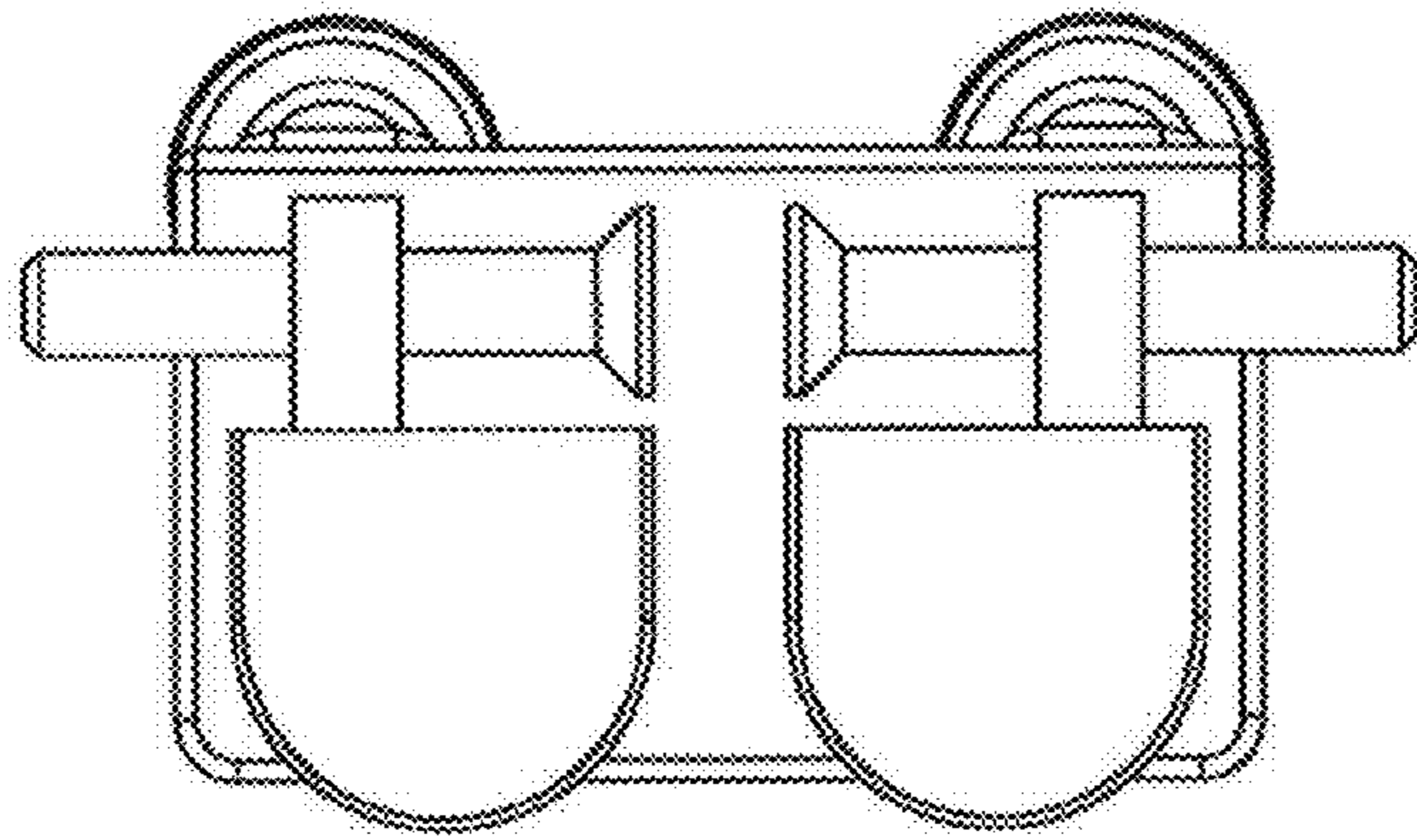


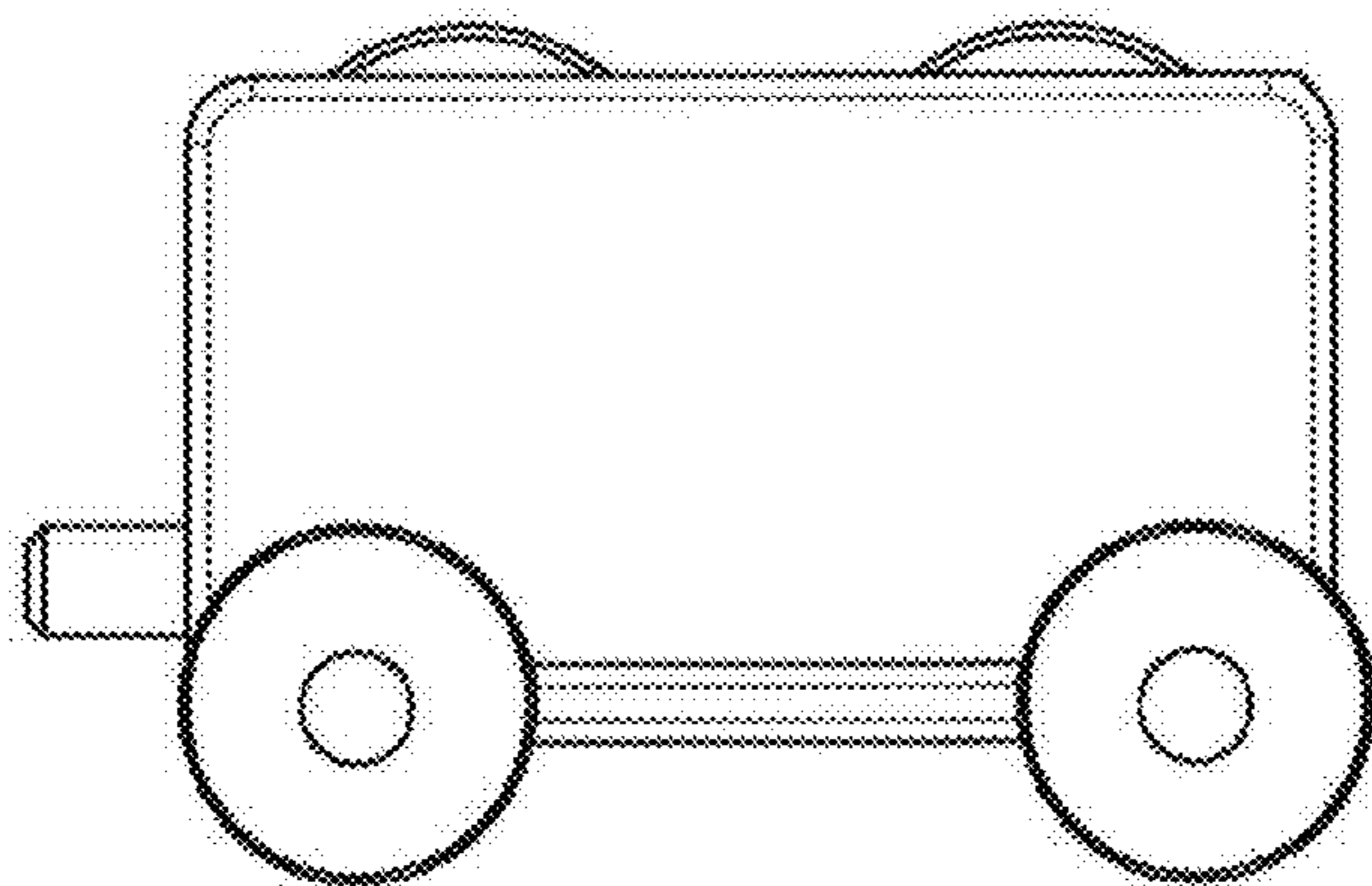
FIG. 3



**FIG. 4**



**FIG. 5**



**FIG. 6**