



US00D750464S

(12) **United States Design Patent**  
**Sonne**

(10) **Patent No.:** **US D750,464 S**  
(45) **Date of Patent:** **\*\* Mar. 1, 2016**

(54) **HANDLE FOR APPLICATOR**  
(71) Applicant: **Lawrence Julius Sonne**, Okemos, MI (US)  
(72) Inventor: **Lawrence Julius Sonne**, Okemos, MI (US)  
(\*\*) Term: **14 Years**  
(21) Appl. No.: **29/474,773**  
(22) Filed: **Feb. 4, 2015**  
(51) **LOC (10) Cl.** ..... **08-05**  
(52) **U.S. Cl.**  
USPC ..... **D8/107**; D8/45; D8/14  
(58) **Field of Classification Search**  
USPC ..... D8/14, 45, 107; D32/46, 48; D7/688  
CPC ..... B25B 15/00; B05C 17/10; B44D 3/164;  
B44D 3/162  
See application file for complete search history.

4,200,948 A \* 5/1980 Nesselth ..... B44D 3/164  
15/105  
4,202,093 A 5/1980 Wallerstein  
4,430,769 A \* 2/1984 Bergstrom ..... A47L 1/06  
15/245  
4,542,554 A \* 9/1985 Wallerstein ..... A47L 1/16  
15/236.02  
4,946,360 A \* 8/1990 Brown ..... B05C 17/10  
15/235.7  
D338,822 S \* 8/1993 Mallalieu ..... D8/107  
D377,856 S 2/1997 Hartman  
D394,534 S \* 5/1998 Coulter ..... D32/48  
D395,789 S \* 7/1998 Dodane ..... D7/395  
D414,395 S 9/1999 Panfili  
D462,251 S 9/2002 Collins  
D496,512 S 9/2004 Treacy  
6,966,100 B2 11/2005 Sonne  
D530,924 S 10/2006 Davis  
D549,463 S 8/2007 Potempa  
D569,215 S 5/2008 Chiu  
7,814,608 B1 \* 10/2010 Catello ..... A47L 13/022  
15/236.01  
D682,498 S 5/2013 Sonne

\* cited by examiner

*Primary Examiner* — Phillip S Hyder

(56) **References Cited**  
U.S. PATENT DOCUMENTS

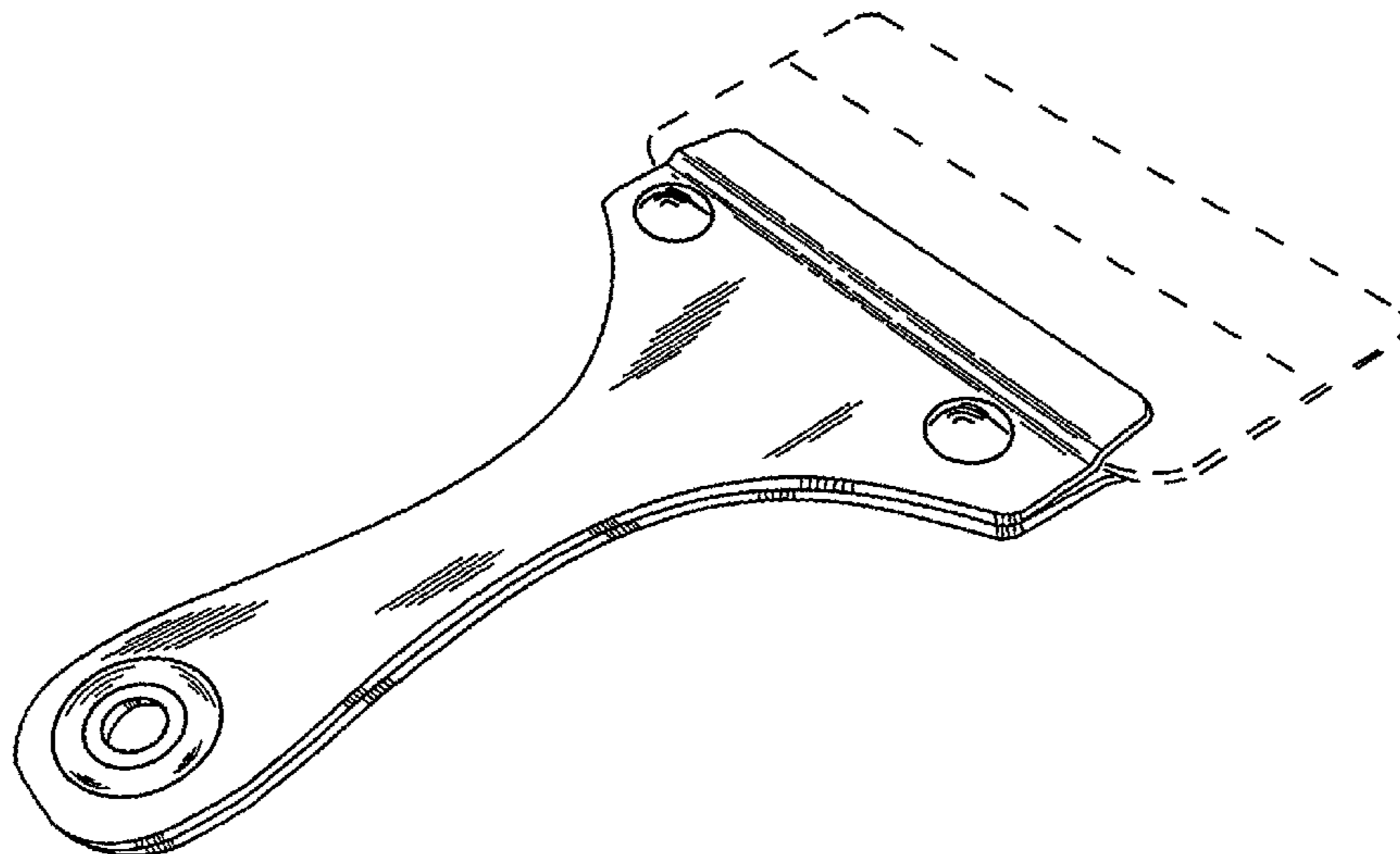
1,458,171 A 6/1923 Donaldson  
1,704,376 A 3/1929 Teasdale  
2,043,775 A 6/1936 Rosen  
2,233,184 A \* 2/1941 Rufieth ..... B26B 5/006  
30/169  
2,563,940 A \* 8/1951 Krasberg ..... B44D 3/164  
15/105  
2,895,217 A \* 7/1959 Fisher ..... B44D 3/164  
30/151  
3,027,641 A 4/1962 Leonardson  
3,078,572 A \* 2/1963 Everton ..... B24D 15/105  
30/169  
3,341,945 A \* 9/1967 Chase ..... B26B 5/00  
15/236.01  
4,094,037 A 6/1978 Karpp

(57) **CLAIM**  
The ornamental design for a handle for applicator, as shown.

**DESCRIPTION**

FIG. 1 is a perspective view showing my new design;  
FIG. 2 is a top plan view thereof;  
FIG. 3 is a right side view with the left side view being a mirror image thereof;  
FIG. 4 is a bottom plan view thereof;  
FIG. 5 is a front view thereof; and,  
FIG. 6 is a rear view thereof.  
The broken line showing of the application is provided for purposes of environment and forms no part of the claimed design.

**1 Claim, 2 Drawing Sheets**



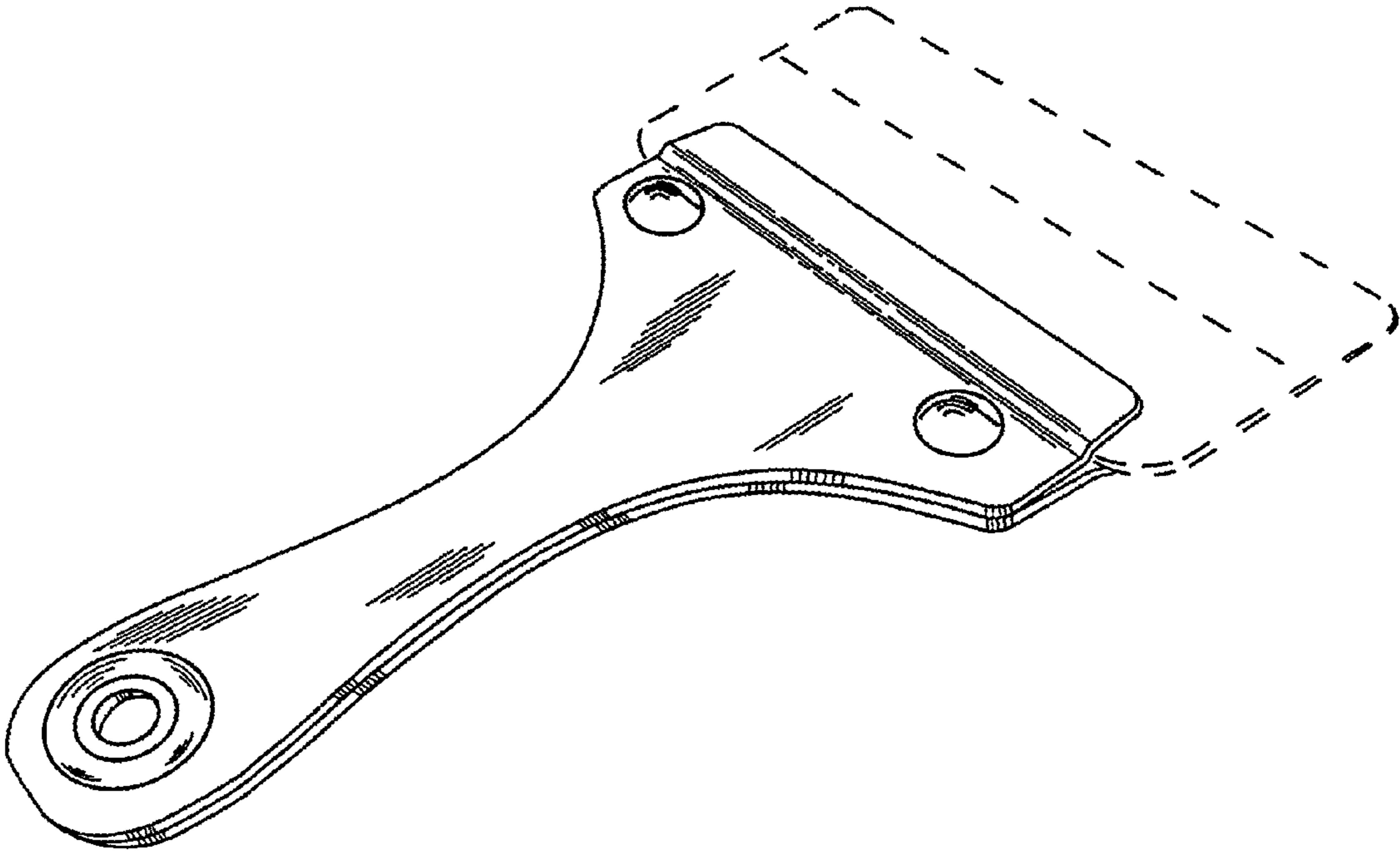


FIG. 1

