

US00D750462S

(12) **United States Design Patent**  
**Noniewicz et al.**

(10) **Patent No.:** **US D750,462 S**  
(45) **Date of Patent:** **\*\* Mar. 1, 2016**

(54) **SPAN CLAMP**

(71) Applicant: **wolcraft GmbH**, Kempenich (DE)

(72) Inventors: **Zbigniew Noniewicz**, Kempenich (DE);  
**Hans Jürgen Sauter**, Mettmann (DE)

(73) Assignee: **WOLFCRAFT GMBH**, Kempenich (DE)

(\*\*) Term: **14 Years**

(21) Appl. No.: **29/484,872**

(22) Filed: **Mar. 13, 2014**

(30) **Foreign Application Priority Data**

Sep. 13, 2013 (EM) ..... 001383277

(51) **LOC (10) Cl.** ..... **08-05**

(52) **U.S. Cl.**  
USPC ..... **D8/72**

(58) **Field of Classification Search**  
USPC ..... D8/71-74, 394-399, 354, 355, 356, 59;  
248/62, 63, 72, 74.1, 689, 124.2;  
81/487, 385, 386, 388-390; 269/3, 4,  
269/6, 143, 165, 240, 243, 246-249, 254 R,  
269/147-149; 29/256, 257, 276; D15/140;  
D24/143; 408/103, 104-109; D7/683,  
D7/685, 686; D6/684  
CPC ..... B25B 1/00; B25B 5/00  
See application file for complete search history.

(56) **References Cited**

**U.S. PATENT DOCUMENTS**

D350,892 S \* 9/1994 Sorensen ..... D8/395  
D433,318 S \* 11/2000 Chang ..... D8/395

D473,776 S \* 4/2003 Hopper et al. .... D8/72  
D481,606 S \* 11/2003 Ben-Gigi ..... D8/72  
D485,481 S \* 1/2004 Wolff ..... D8/72  
D491,433 S \* 6/2004 Noniewicz ..... D8/52  
D514,915 S \* 2/2006 Wang ..... D8/72  
D541,614 S \* 5/2007 Wang ..... D8/74  
D555,454 S \* 11/2007 Noniewicz ..... D8/72  
D557,098 S \* 12/2007 Noniewicz ..... D8/72  
D668,127 S \* 10/2012 Yang ..... D8/72  
2003/0116686 A1 \* 6/2003 Noniewicz ..... 248/231.51

**OTHER PUBLICATIONS**

Wolcraft, Ratchet clamps 1FZR 10 & 1FZR 60, Mar. 25, 2015,  
[http://www.wolcraft.com/products/p/ratchet\\_clamps/ratchet\\_clamps-4/s/p/index.html](http://www.wolcraft.com/products/p/ratchet_clamps/ratchet_clamps-4/s/p/index.html).\*

\* cited by examiner

*Primary Examiner* — David Muller

*Assistant Examiner* — Nathan Johnston

(74) *Attorney, Agent, or Firm* — Lucas & Mercanti, LLP;  
Klaus P. Stoffel

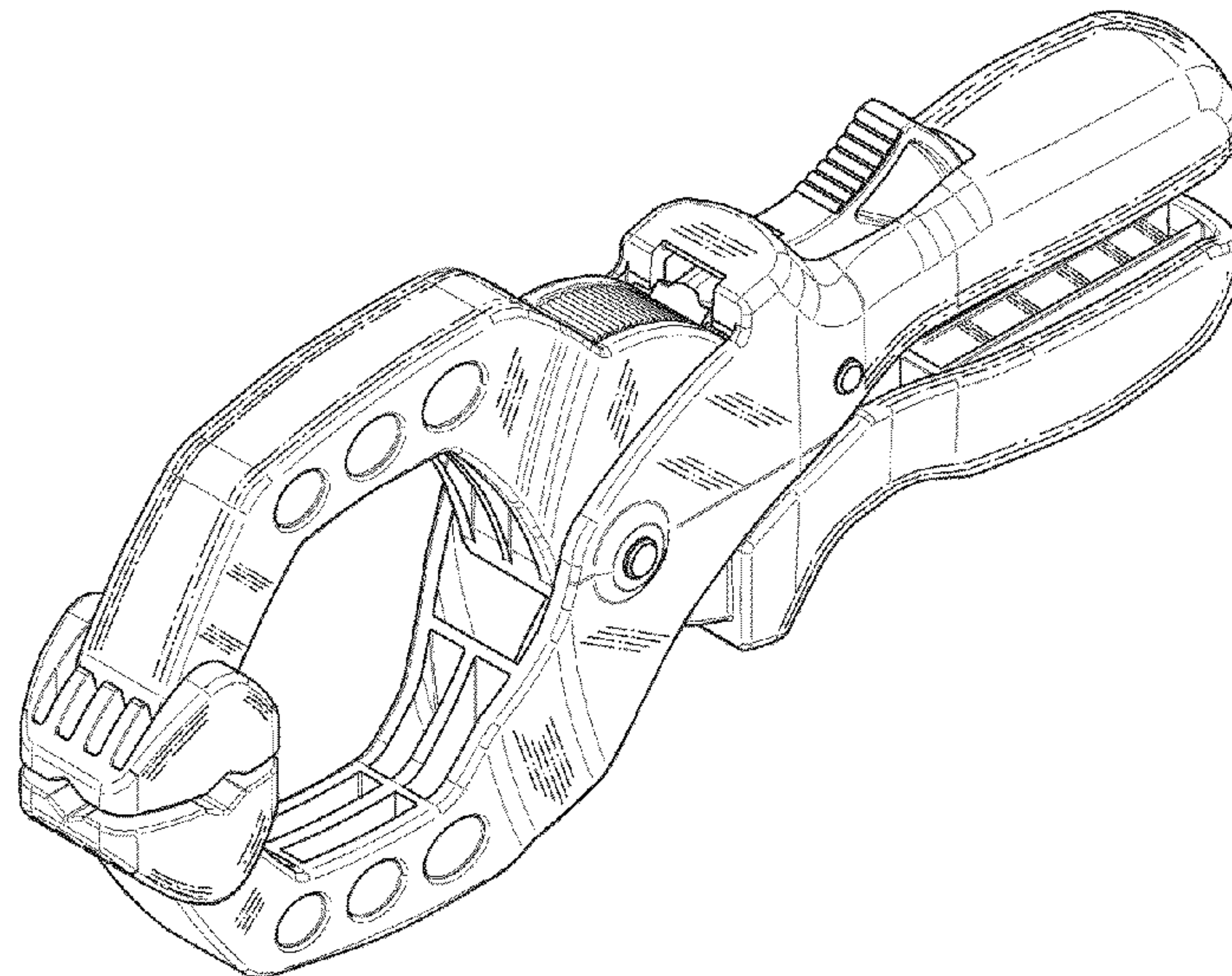
(57) **CLAIM**

The ornamental design for a span clamp, as shown and described.

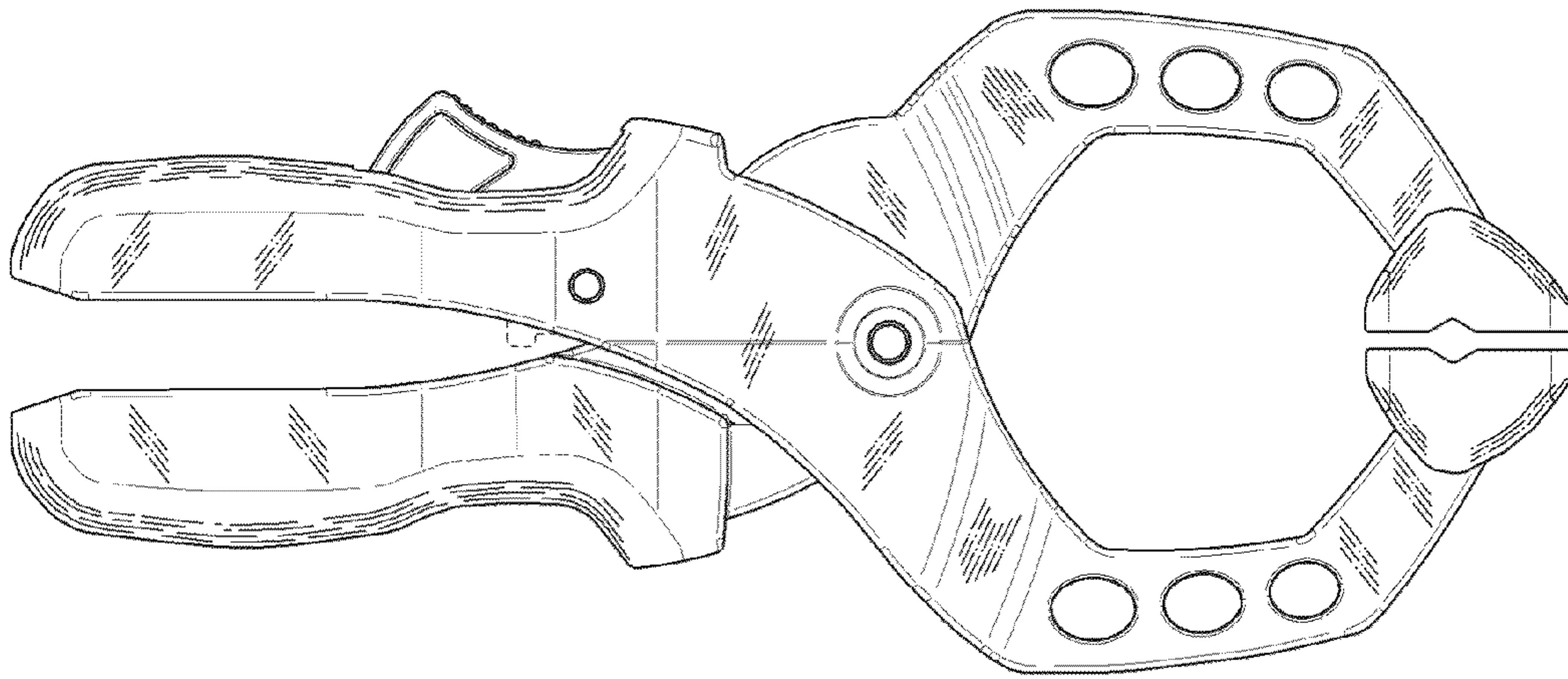
**DESCRIPTION**

FIG. 1 is a left side view of a span clamp of the present invention;  
FIG. 2 is a top plan view thereof;  
FIG. 3 is a right side elevation view thereof;  
FIG. 4 is a bottom plan view thereof;  
FIG. 5 is a front elevation view thereof;  
FIG. 6 is a rear elevation view thereof; and,  
FIG. 7 is a front right side perspective view thereof.

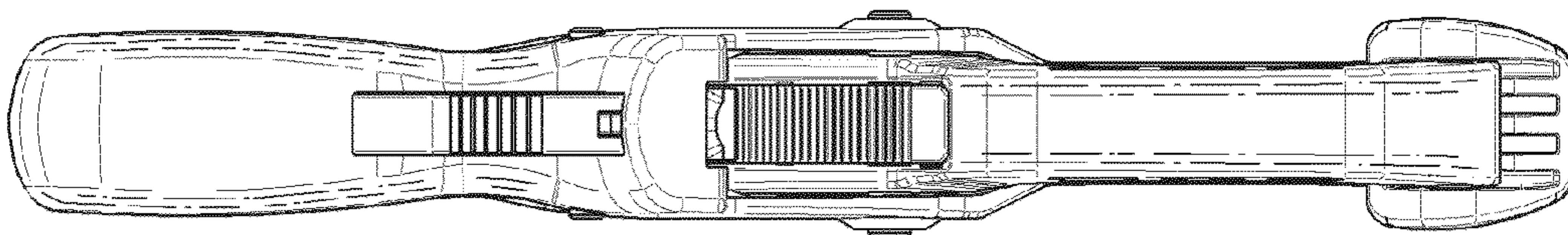
**1 Claim, 4 Drawing Sheets**



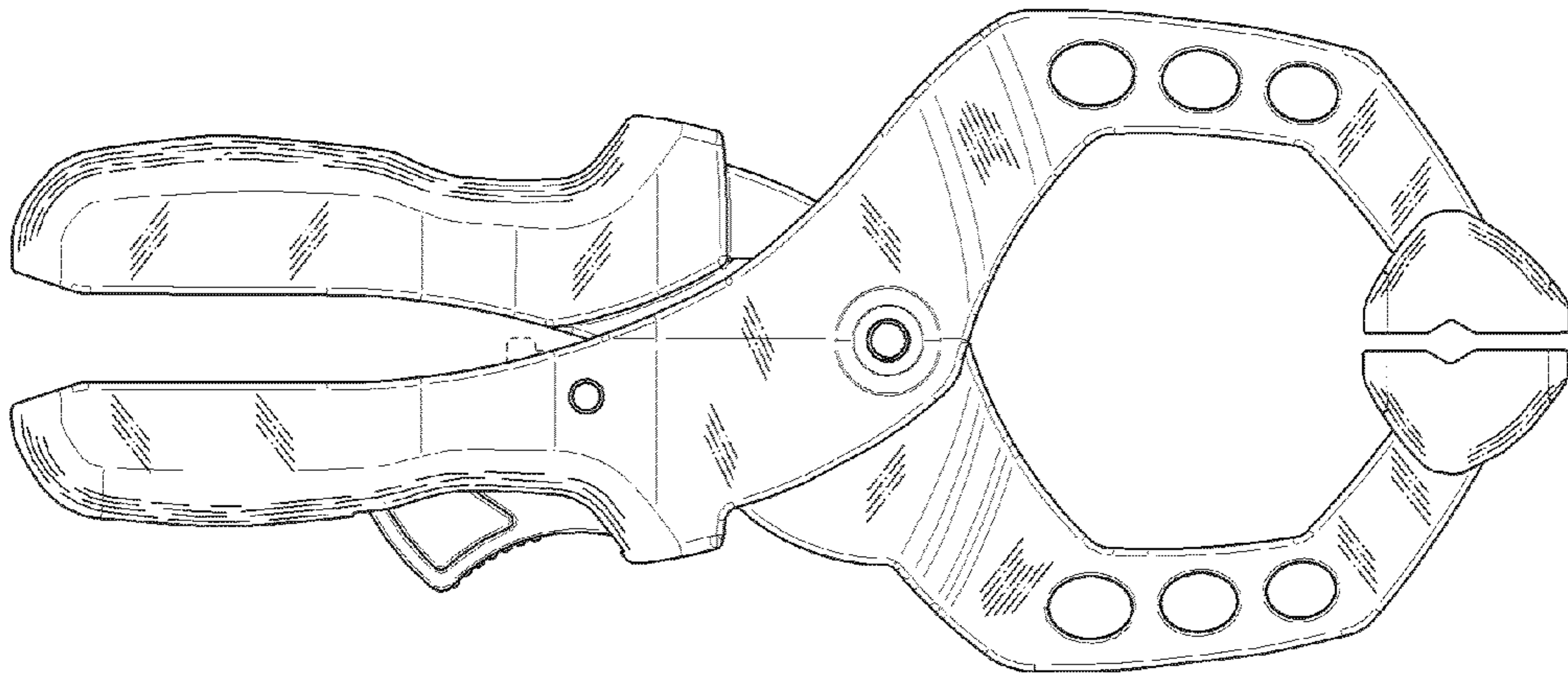
***Fig. 1***



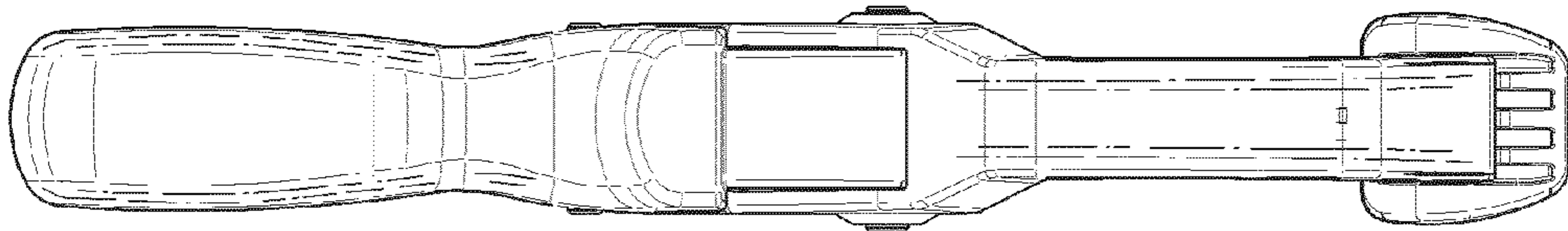
***Fig. 2***



***Fig. 3***

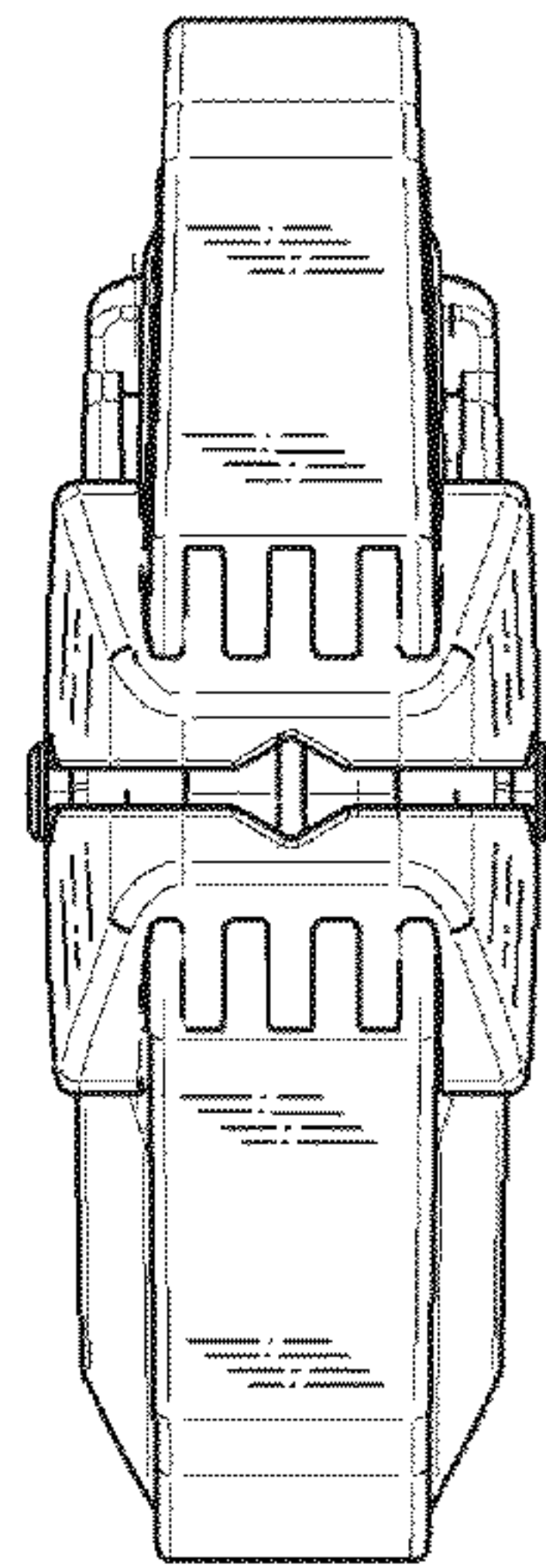


***Fig. 4***

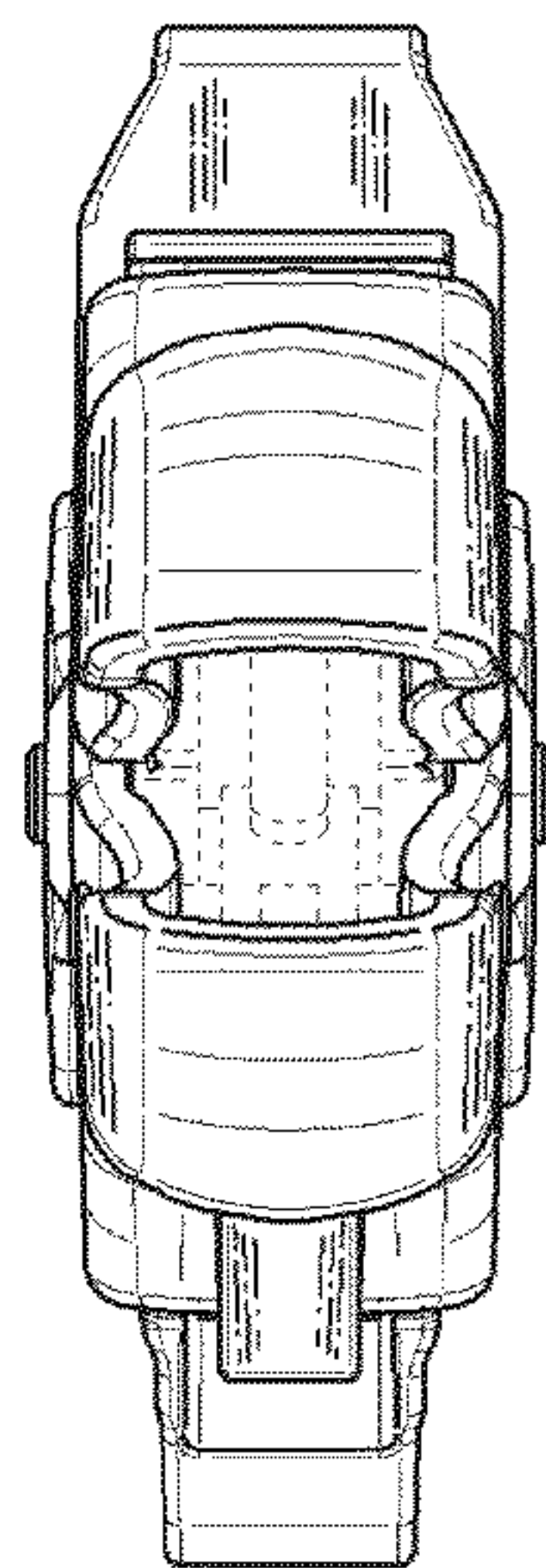




***Fig. 5***



***Fig. 6***



***Fig. 7***

