



US00D750460S

(12) **United States Design Patent**  
**Miller**

(10) **Patent No.:** **US D750,460 S**  
(45) **Date of Patent:** **\*\* Mar. 1, 2016**

- (54) **DRILL DRIVER**
- (71) Applicant: **BLACK & DECKER INC.**, Newark, DE (US)
- (72) Inventor: **David A. Miller**, Baltimore, MD (US)
- (73) Assignee: **BLACK & DECKER INC.**, Newark, DE (US)
- (\*\*) Term: **14 Years**
- (21) Appl. No.: **29/517,196**
- (22) Filed: **Feb. 11, 2015**

D589,317	S	*	3/2009	Okuda	.....	D8/68
D593,831	S	*	6/2009	Van Wambeke	.....	D8/68
D608,173	S	*	1/2010	Ng	.....	D8/68
D608,175	S	*	1/2010	Netzler	.....	D8/68
D609,072	S	*	2/2010	Van Wambeke	.....	D8/68
D610,422	S	*	2/2010	Houghton	.....	D8/68
D611,319	S	*	3/2010	Van Wambeke	.....	D8/68
D642,037	S	*	7/2011	Miller	.....	D8/68
D642,038	S	*	7/2011	Murray	.....	D8/68
D644,495	S	*	9/2011	Misaki	.....	D8/68
8,210,273	B2	*	7/2012	Suzuki	.....	B25F 5/00 173/2
D673,436	S	*	1/2013	Murray	.....	D8/68
D678,744	S	*	3/2013	Aoki	.....	D8/68
D682,650	S	*	5/2013	Kawase	.....	D8/61
D708,496	S	*	7/2014	Zhou	.....	D8/68
D722,854	S	*	2/2015	Beukema	.....	D8/68
D735,006	S	*	7/2015	Aoki	.....	D8/68
2009/0302554	A1	*	12/2009	Thiel	.....	B23B 31/10 279/62
2012/0162840	A1	*	6/2012	Noda	.....	H02J 7/0029 361/78

**Related U.S. Application Data**

- (60) Division of application No. 29/480,980, filed on Jan. 31, 2014, now Pat. No. Des. 725,982, which is a continuation-in-part of application No. 13/832,454, filed on Mar. 15, 2013.

- (51) **LOC (10) Cl.** ..... **08-03**
- (52) **U.S. Cl.**  
USPC ..... **D8/68**
- (58) **Field of Classification Search**  
USPC ..... D8/61, 67, 68; 81/57.4, 489; 173/48, 173/109, 170, 178, 217; 362/119; 408/124, 408/125; 475/149  
CPC .... B62D 23/005; B62D 29/00; B62D 29/043; B62D 31/00; B62D 33/046; B62D 35/00; B62D 35/001; B60Q 1/0005  
See application file for complete search history.

(56) **References Cited**

**U.S. PATENT DOCUMENTS**

6,308,378	B1	*	10/2001	Mooty	.....	B23D 51/01 16/430
D527,971	S	*	9/2006	Kokawa	.....	D8/68
D539,110	S	*	3/2007	Okuda	.....	D8/68
7,492,125	B2	*	2/2009	Serdynski	.....	H01M 2/34 320/106
D587,544	S	*	3/2009	Lopano	.....	D8/68

\* cited by examiner

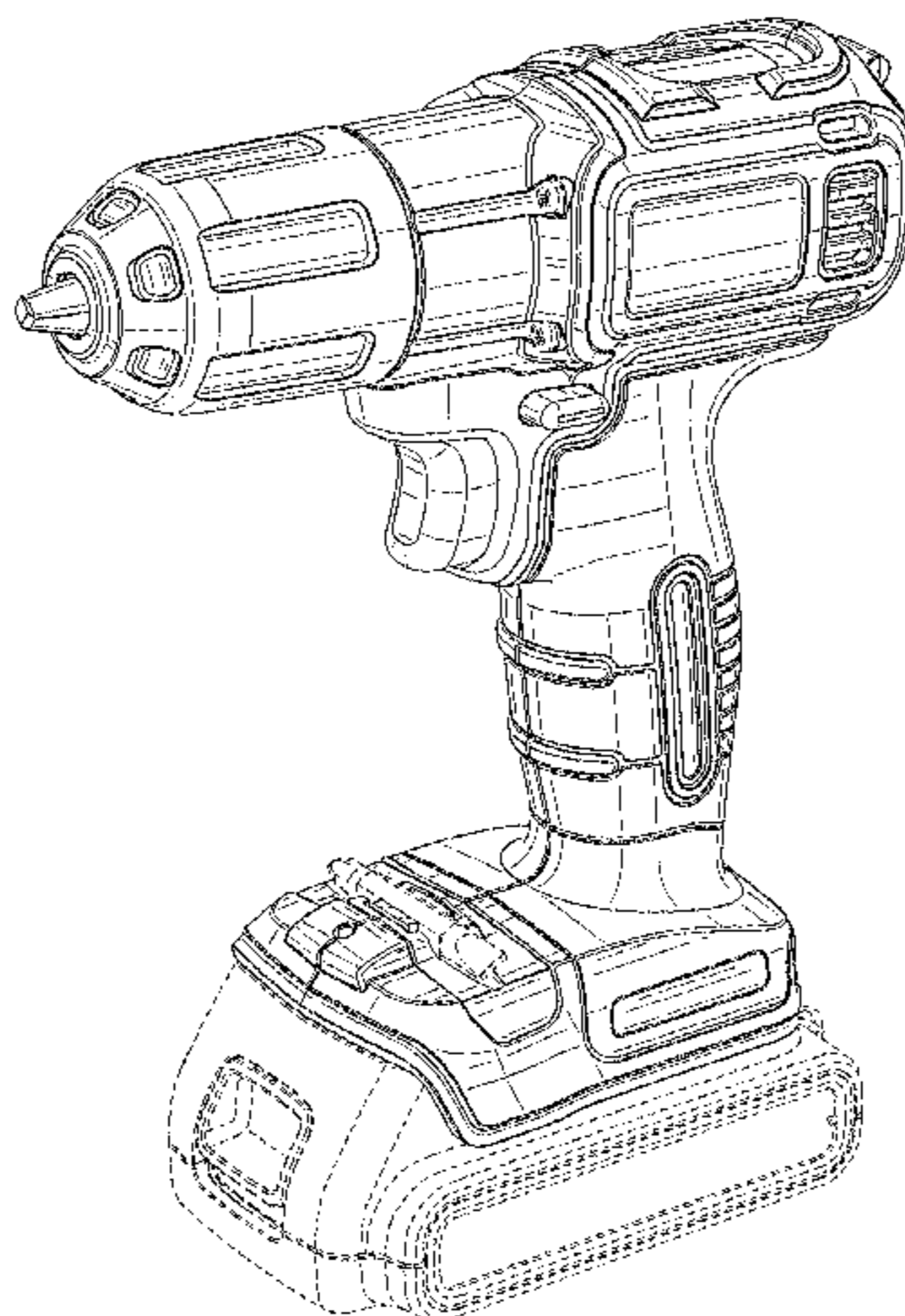
*Primary Examiner* — Philip S Hyder  
*Assistant Examiner* — Darlington Ly  
(74) *Attorney, Agent, or Firm* — Stephen R. Valancius

(57) **CLAIM**  
The ornamental design for a drill driver, as shown and described.

**DESCRIPTION**

FIG. 1 is a top, front and right side perspective view of a drill driver showing my new design;  
FIG. 2 is a front view thereof;  
FIG. 3 is a rear view thereof;  
FIG. 4 is a right side view thereof;  
FIG. 5 is a left side view thereof;  
FIG. 6 is a top plan view thereof; and,  
FIG. 7 is a bottom plan view thereof.  
The broken lines in the drawings illustrate portions of the drill driver that forms no part of the claimed design.

**1 Claim, 7 Drawing Sheets**



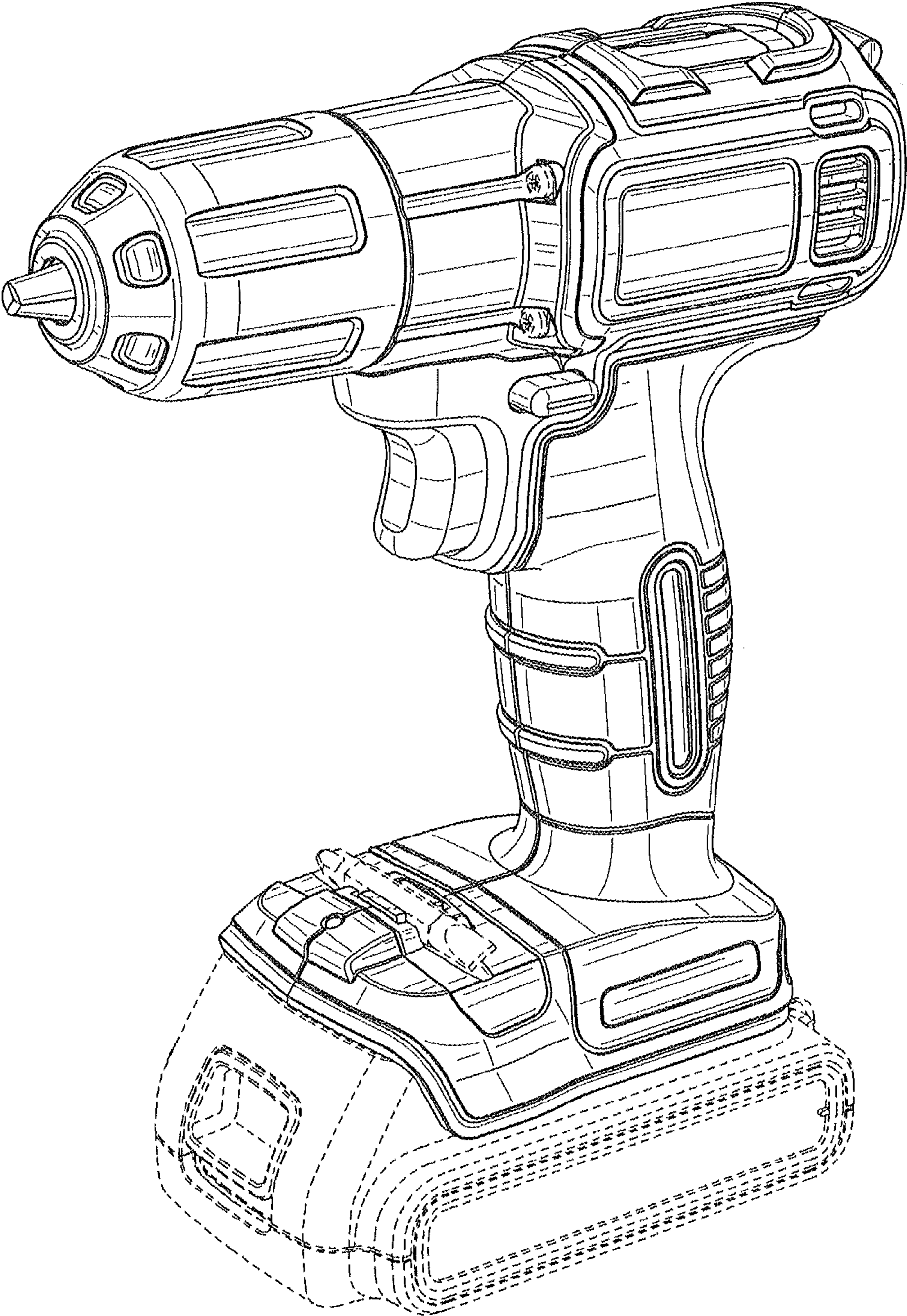


FIG. 1



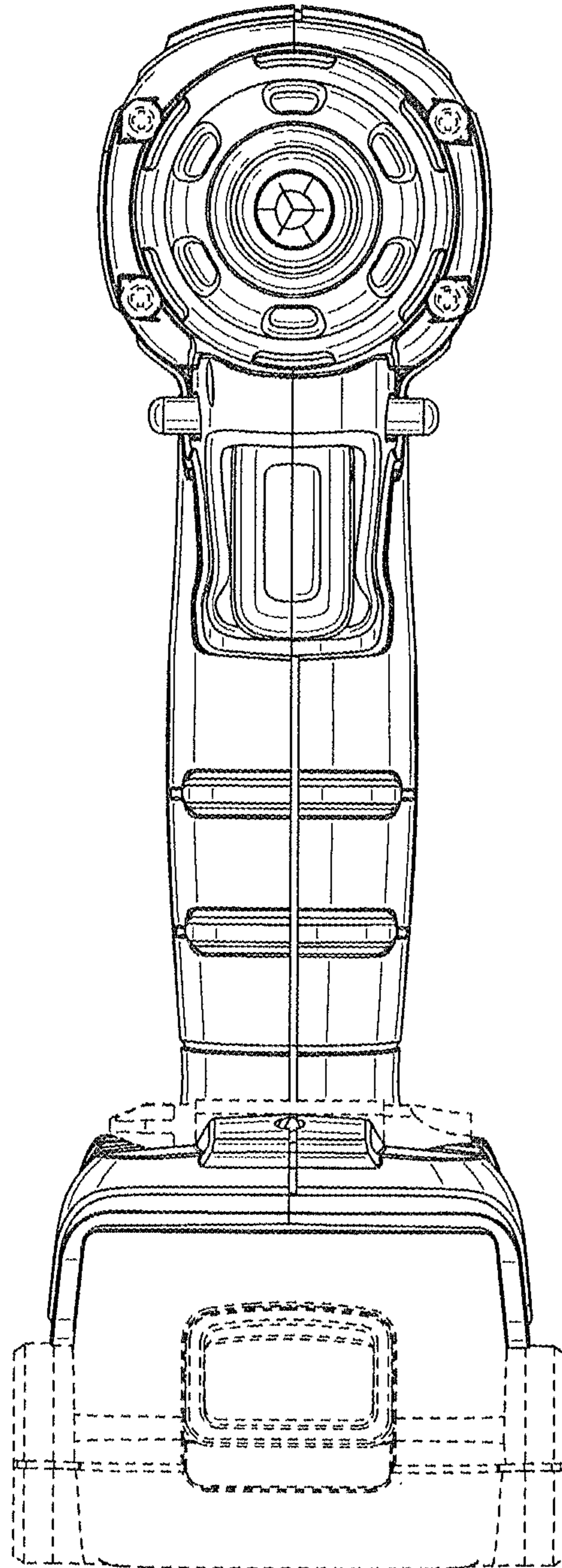


FIG. 2

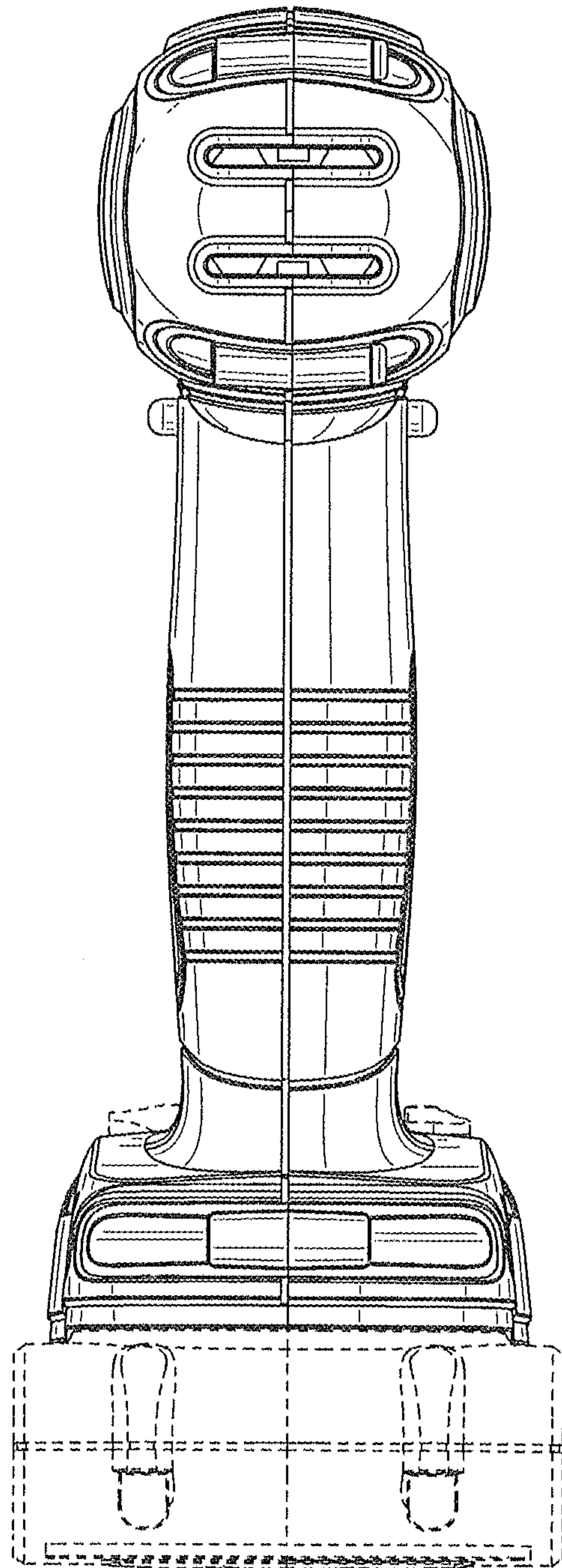


FIG. 3

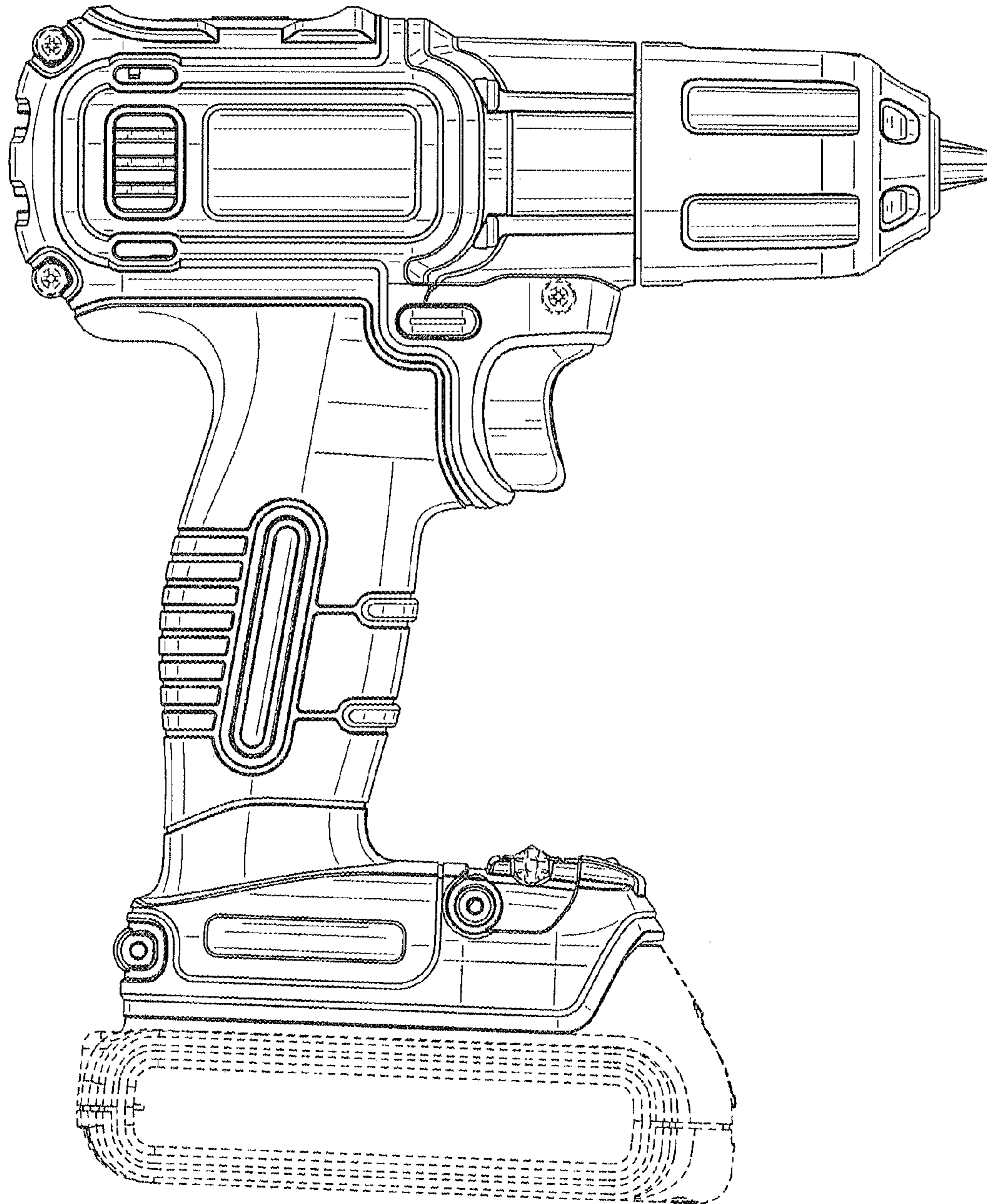


FIG. 4



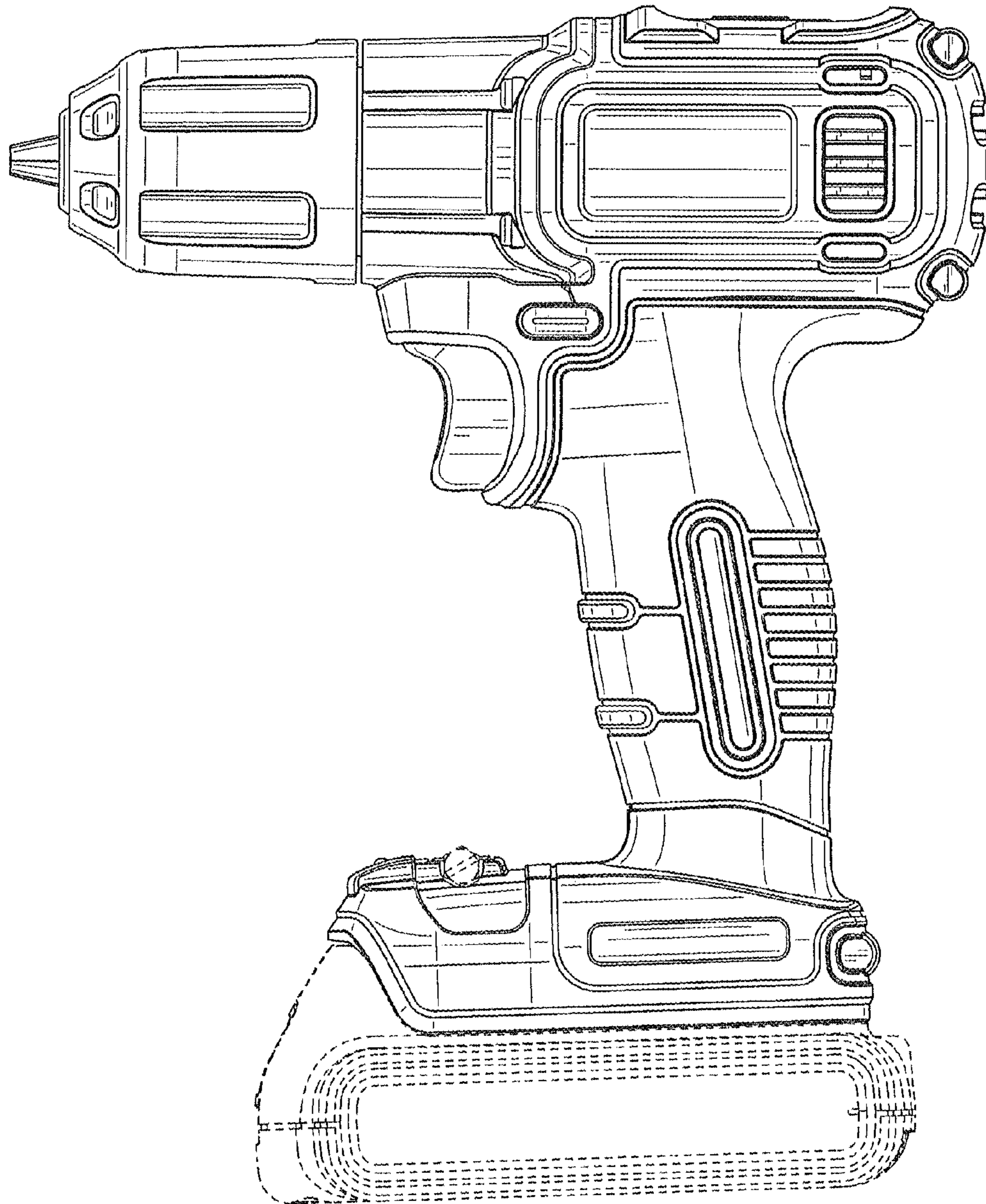


FIG. 5 .

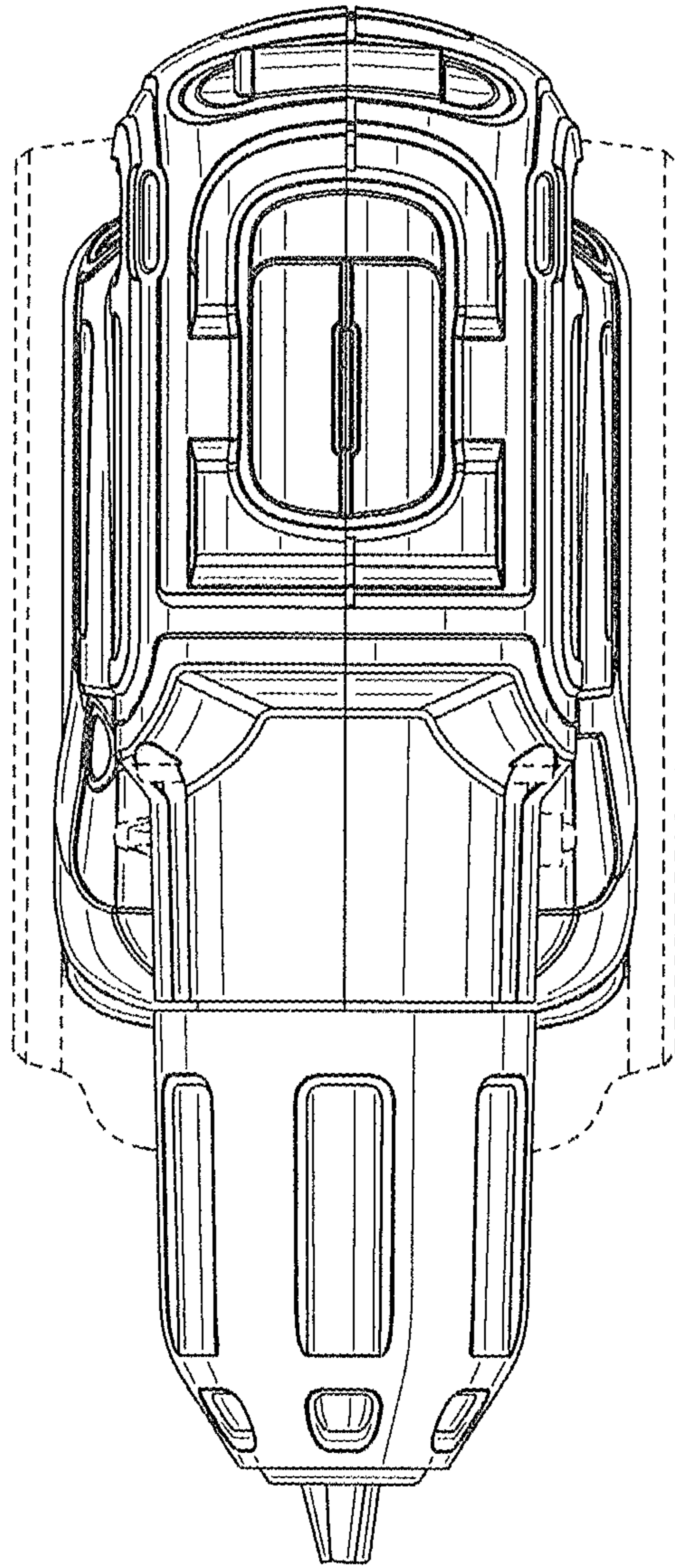


FIG. 6

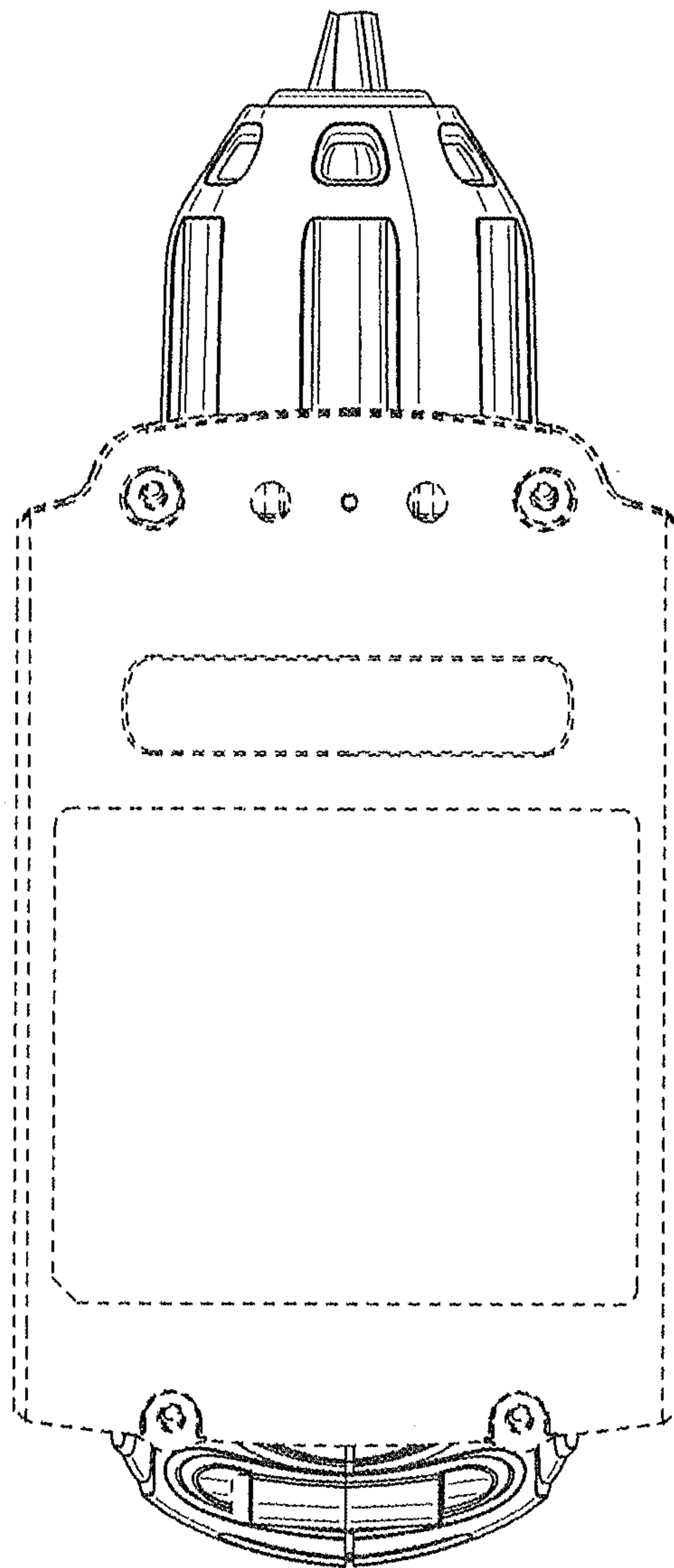


FIG. 7