



US00D750458S

(12) **United States Design Patent**  
**Furling et al.**

(10) **Patent No.:** **US D750,458 S**  
(45) **Date of Patent:** **\*\* Mar. 1, 2016**

(54) **SWITCH MECHANISM FOR A HOT AIR  
HAND DEVICE**

(71) Applicants: **Andreas Furling**, Kerns (CH); **Hans  
Arnold**, Alpnach Dorf (CH)

(72) Inventors: **Andreas Furling**, Kerns (CH); **Hans  
Arnold**, Alpnach Dorf (CH)

(73) Assignee: **Leister Technologies AG**, Kagiswil  
(CH)

(\*\*) Term: **14 Years**

(21) Appl. No.: **29/465,465**

(22) Filed: **Aug. 28, 2013**

(30) **Foreign Application Priority Data**

Mar. 13, 2013 (EM) ..... 002201822

(51) **LOC (10) Cl.** ..... **08-05**

(52) **U.S. Cl.**  
USPC ..... **D8/29.1**

(58) **Field of Classification Search**

None

See application file for complete search history.

(56) **References Cited**

U.S. PATENT DOCUMENTS

D456,681	S	*	5/2002	Cheng	.....	D8/29.1
D458,524	S	*	6/2002	Cheng	.....	D8/29.1
D599,180	S	*	9/2009	Baxter	.....	D8/29.1
D615,834	S	*	5/2010	Netzler	.....	D8/29.1
D648,606	S	*	11/2011	Sallander	.....	D8/29.1
D659,496	S	*	5/2012	Mochizuki et al.	.....	D8/29.1
2010/0008655	A1	*	1/2010	Tackitt et al.	.....	392/385

\* cited by examiner

*Primary Examiner* — Phillip S Hyder

(74) *Attorney, Agent, or Firm* — Cascio & Zervas

(57) **CLAIM**

The ornamental design for a switch mechanism for a hot air hand device, as shown and described.

**DESCRIPTION**

FIG. 1 is a front elevational view of the switch mechanism for a hot air hand device showing our design;

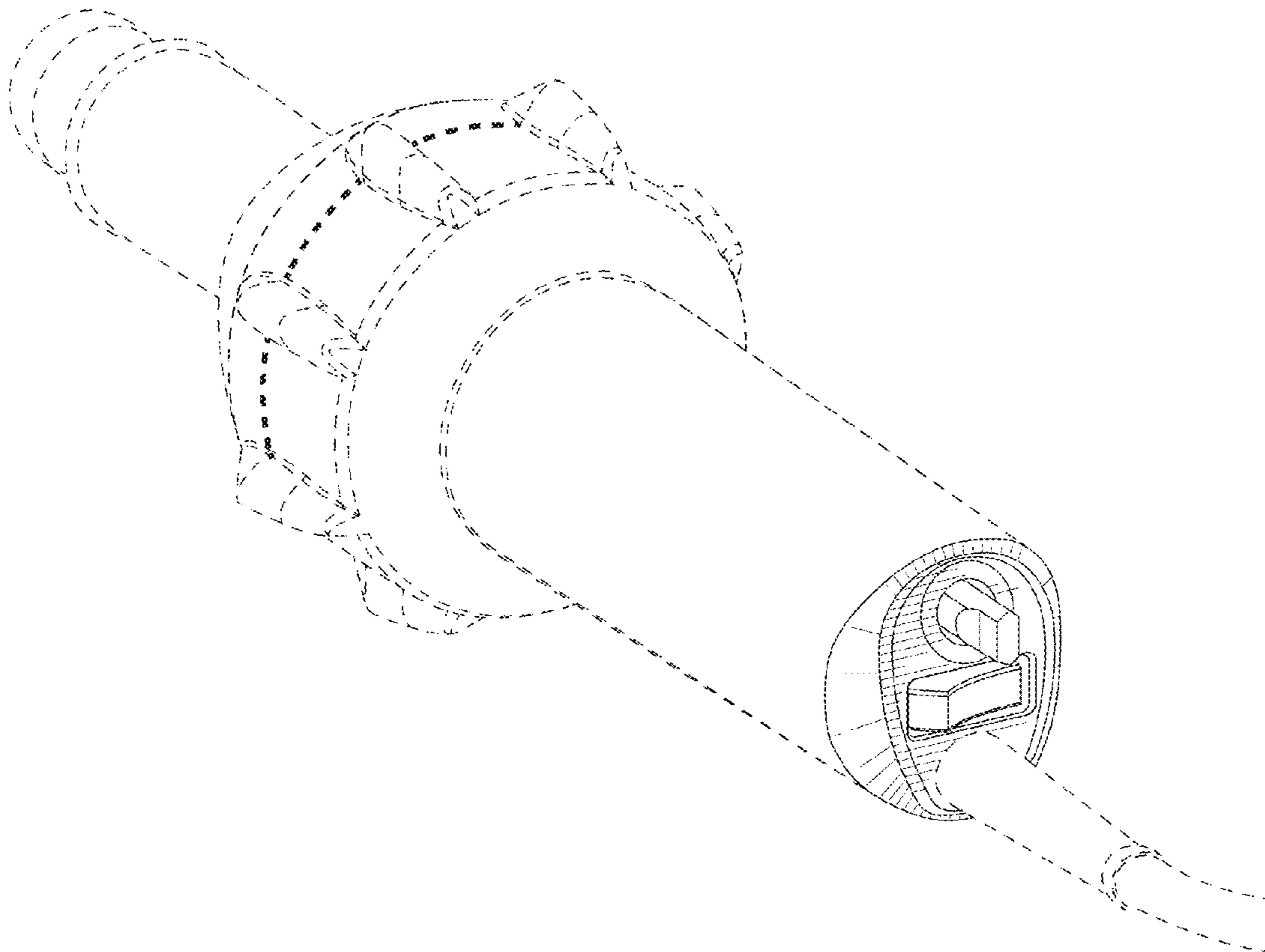
FIG. 2 is a top plan view thereof;

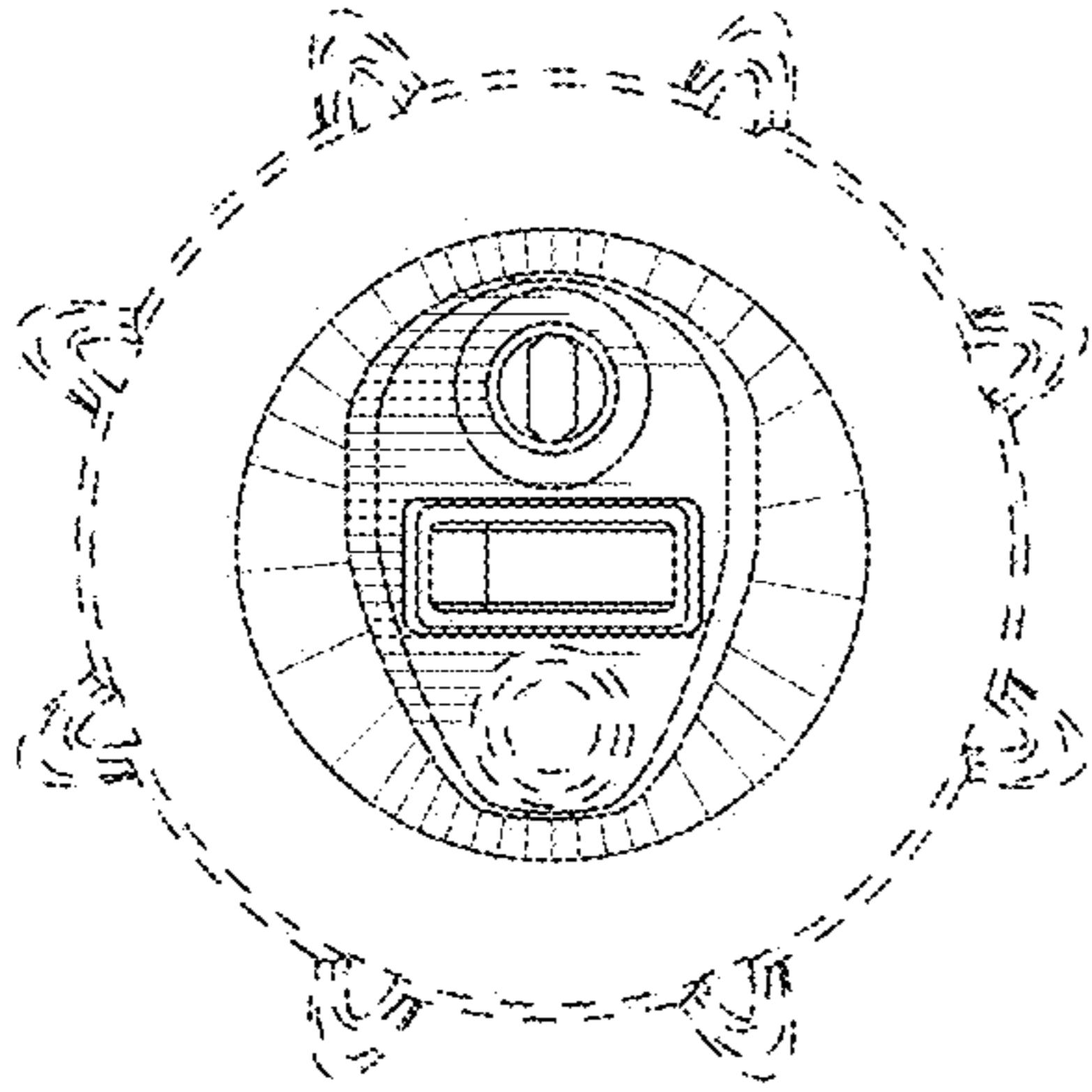
FIG. 3 is a front perspective view thereof; and,

FIG. 4 is a front perspective view thereof with the switch and knob in alternative positions.

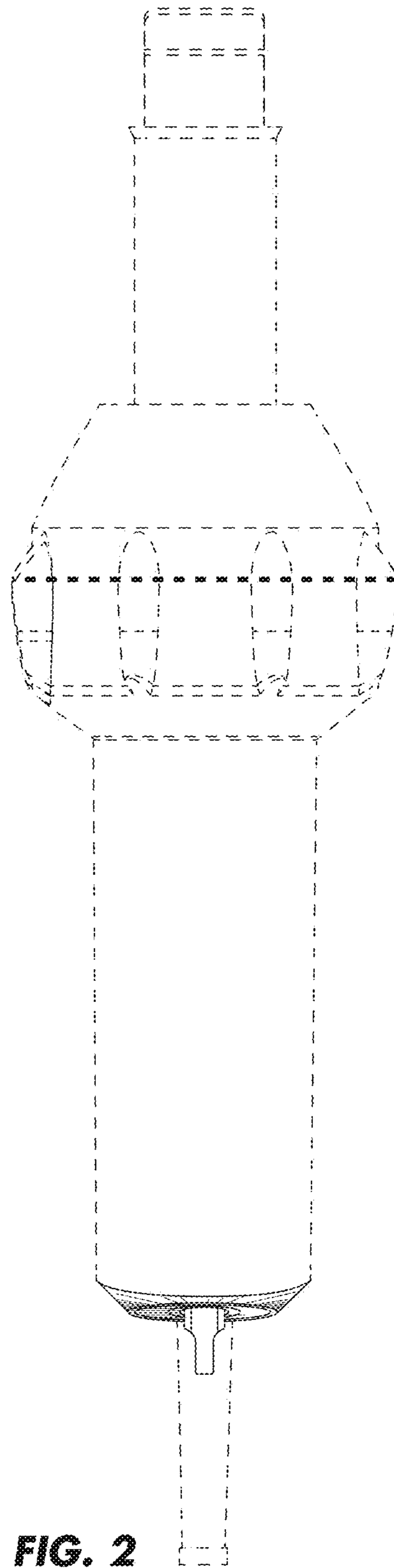
The broken lines are environmental and form no part of the claimed design.

**1 Claim, 2 Drawing Sheets**





**FIG. 1**



**FIG. 2**

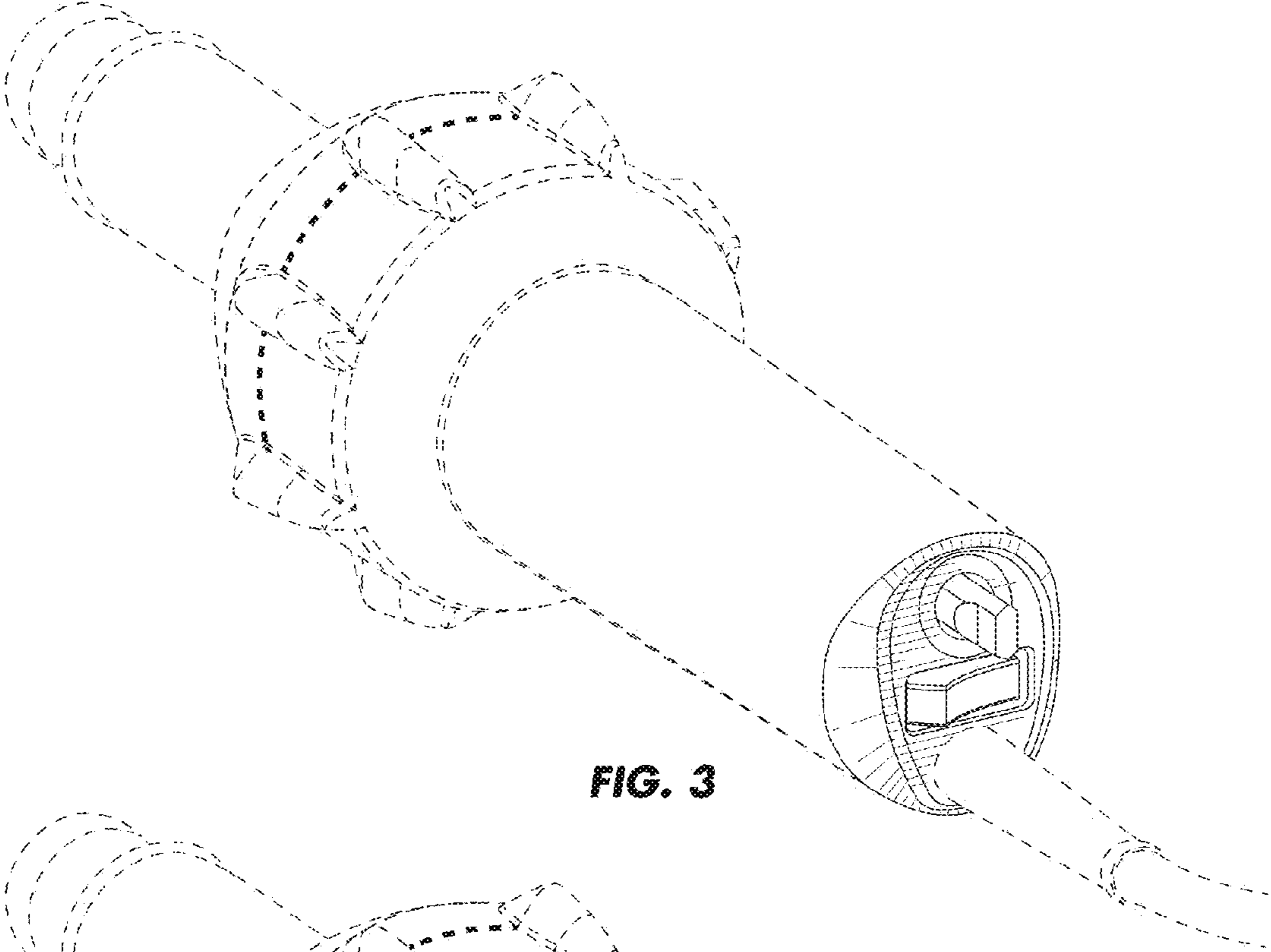


FIG. 3

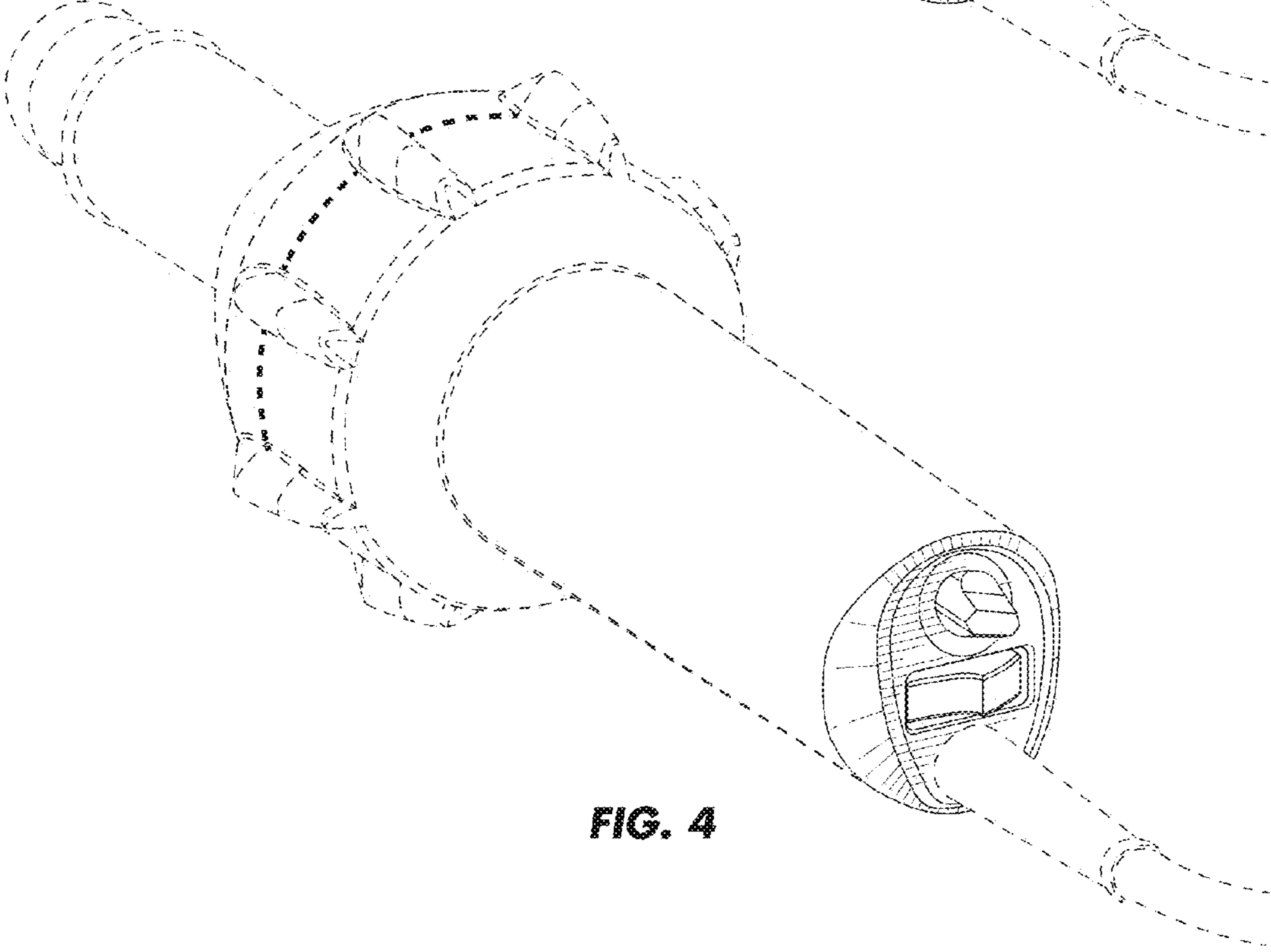


FIG. 4