



US00D750457S

(12) **United States Design Patent**
Li

(10) **Patent No.:** **US D750,457 S**
(45) **Date of Patent:** **** Mar. 1, 2016**

(54) **SOCKET**

(71) Applicant: **Yi-Min Li**, Taichung (TW)

(72) Inventor: **Yi-Min Li**, Taichung (TW)

(**) Term: **14 Years**

(21) Appl. No.: **29/508,267**

(22) Filed: **Nov. 4, 2014**

(51) **LOC (10) Cl.** **08-05**

(52) **U.S. Cl.**
USPC **D8/29**

(58) **Field of Classification Search**
USPC D8/29; 81/60, 177.1, 177.85, 121.1,
81/124.3, 165-170, 110.1, 176.2, 124.6,
81/176.1, 176.15, 177.2; 16/110.1
CPC B25B 13/06; B25B 13/065
See application file for complete search history.

(56) **References Cited**

U.S. PATENT DOCUMENTS

D425,770 S * 5/2000 Hsieh D8/29
D439,481 S * 3/2001 Lin D8/29
7,270,034 B2 * 9/2007 Hu 81/124.3
D611,789 S * 3/2010 Taylor, Jr. D8/29
D628,868 S * 12/2010 Laurie D8/29

D632,148 S * 2/2011 Li et al. D8/29
D637,051 S * 5/2011 Li et al. D8/29
D659,495 S * 5/2012 Taylor, Jr. D8/29
8,359,953 B2 * 1/2013 Lin 81/184
8,544,367 B2 * 10/2013 Buchanan 81/124.5

* cited by examiner

Primary Examiner — Randall Gholson

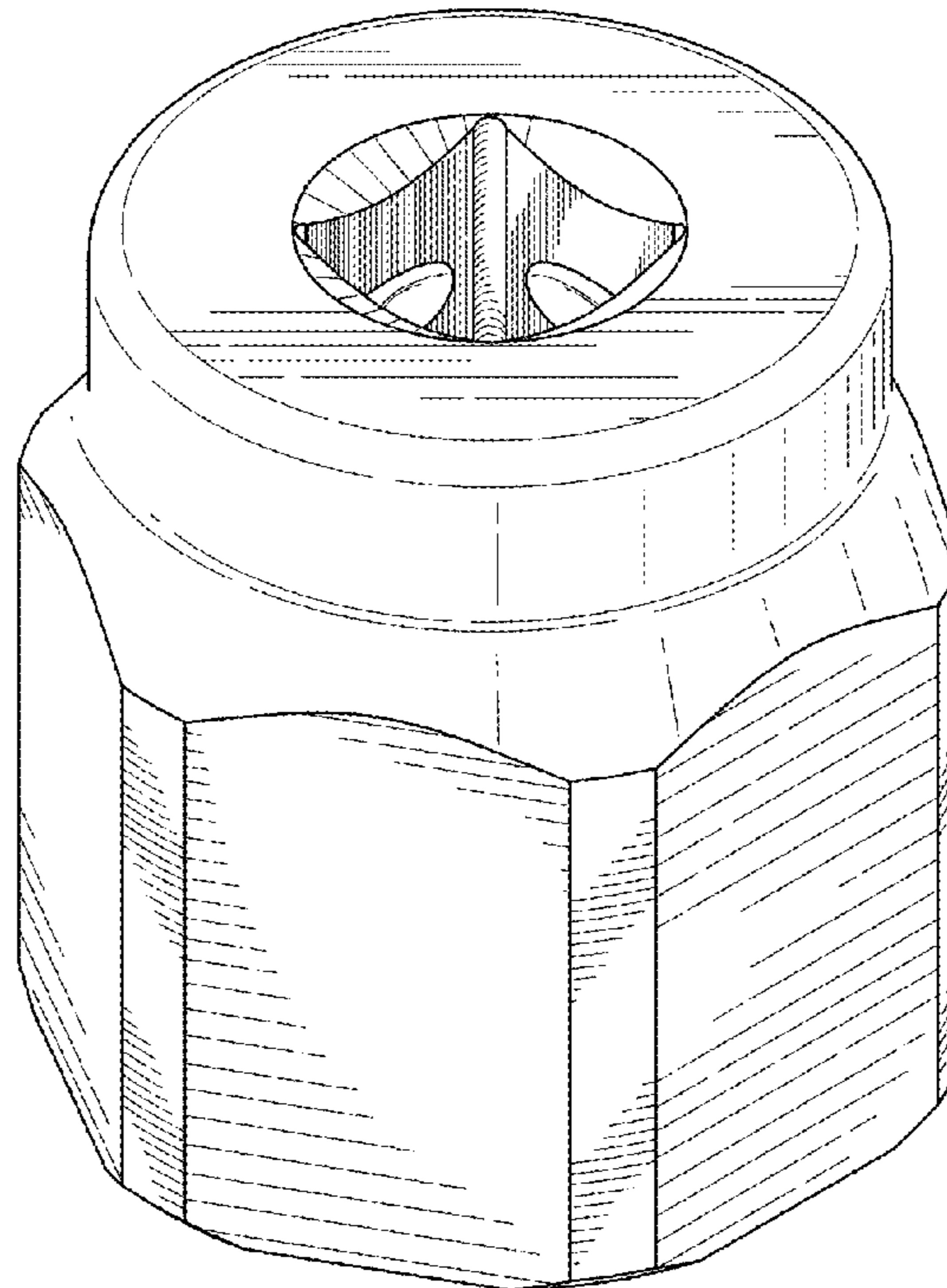
(57) **CLAIM**

I hereby claim the ornamental design for a socket, as shown and described.

DESCRIPTION

FIG. 1 is a perspective view of a socket in accordance with the preferred embodiment of the present invention, showing my design;
FIG. 2 is a front view of the socket shown in FIG. 1;
FIG. 3 is a rear view of the socket shown in FIG. 1;
FIG. 4 is a left side view of the socket shown in FIG. 1,
FIG. 5 is a right side view of the socket shown in FIG. 1;
FIG. 6 is a top view of the socket shown in FIG. 1;
FIG. 7 is a bottom view of the socket shown in FIG. 1; and,
FIG. 8 is a cross-sectional view of the socket shown in FIG. 1.

1 Claim, 8 Drawing Sheets



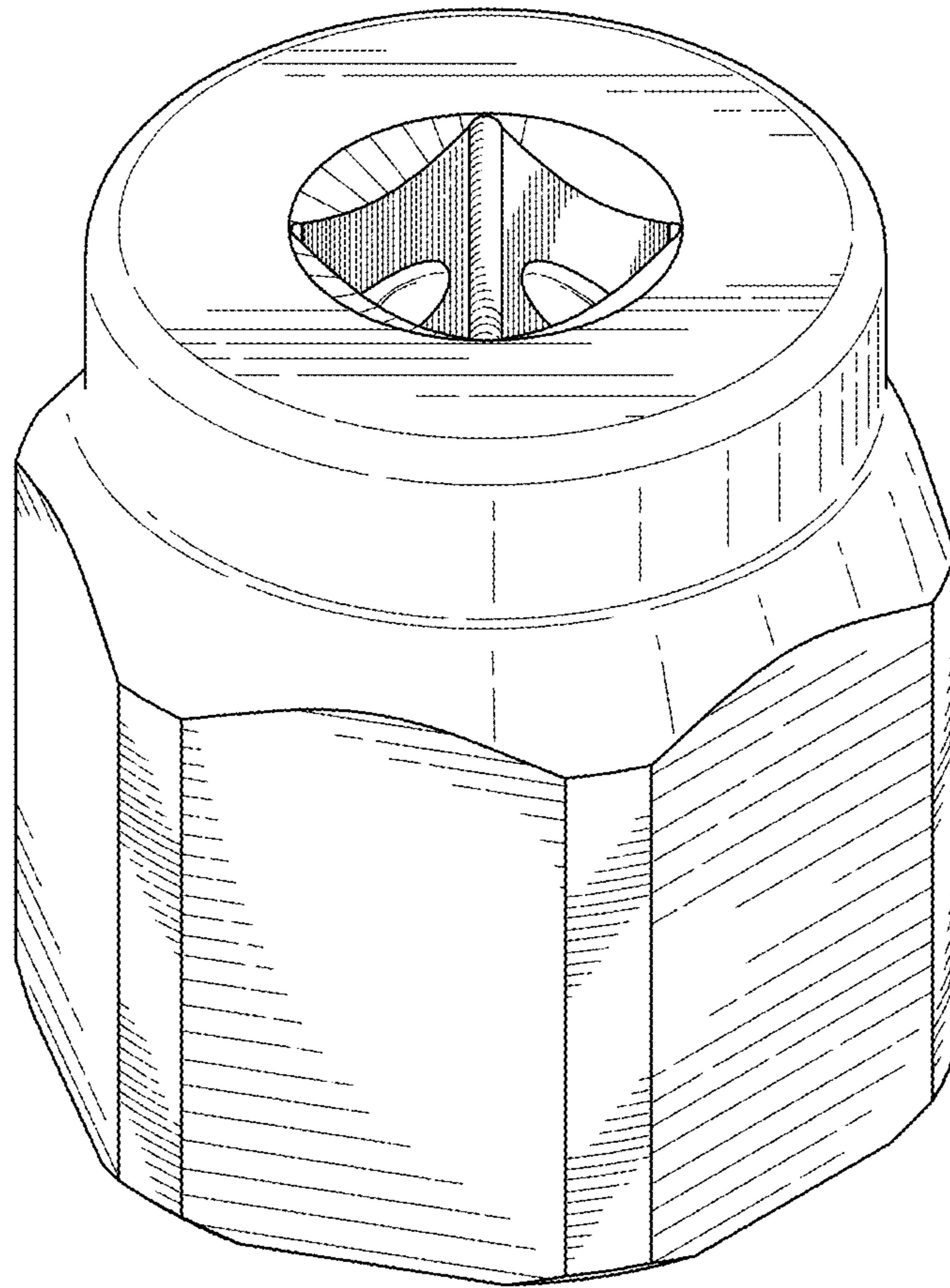


FIG.1

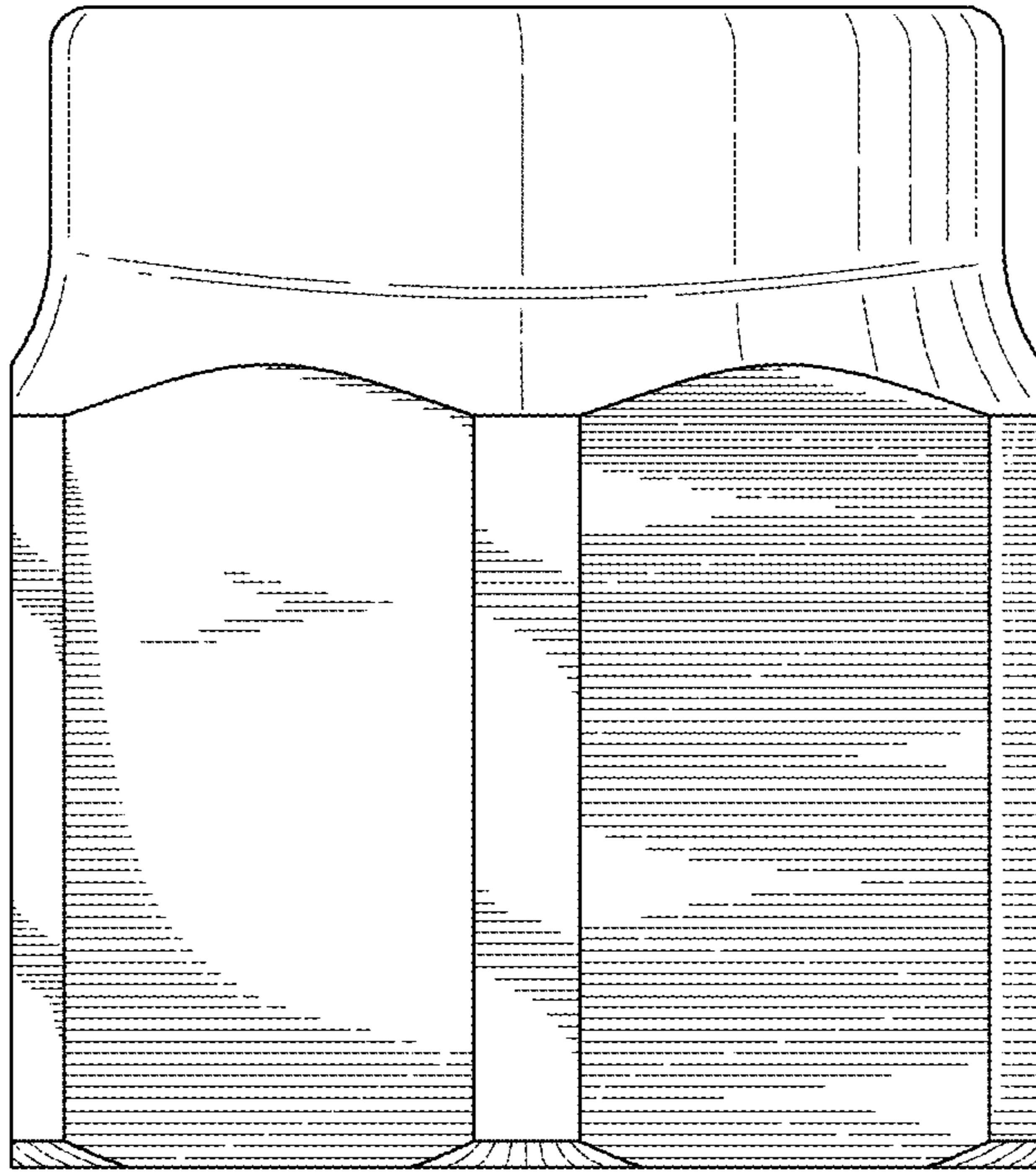


FIG.2

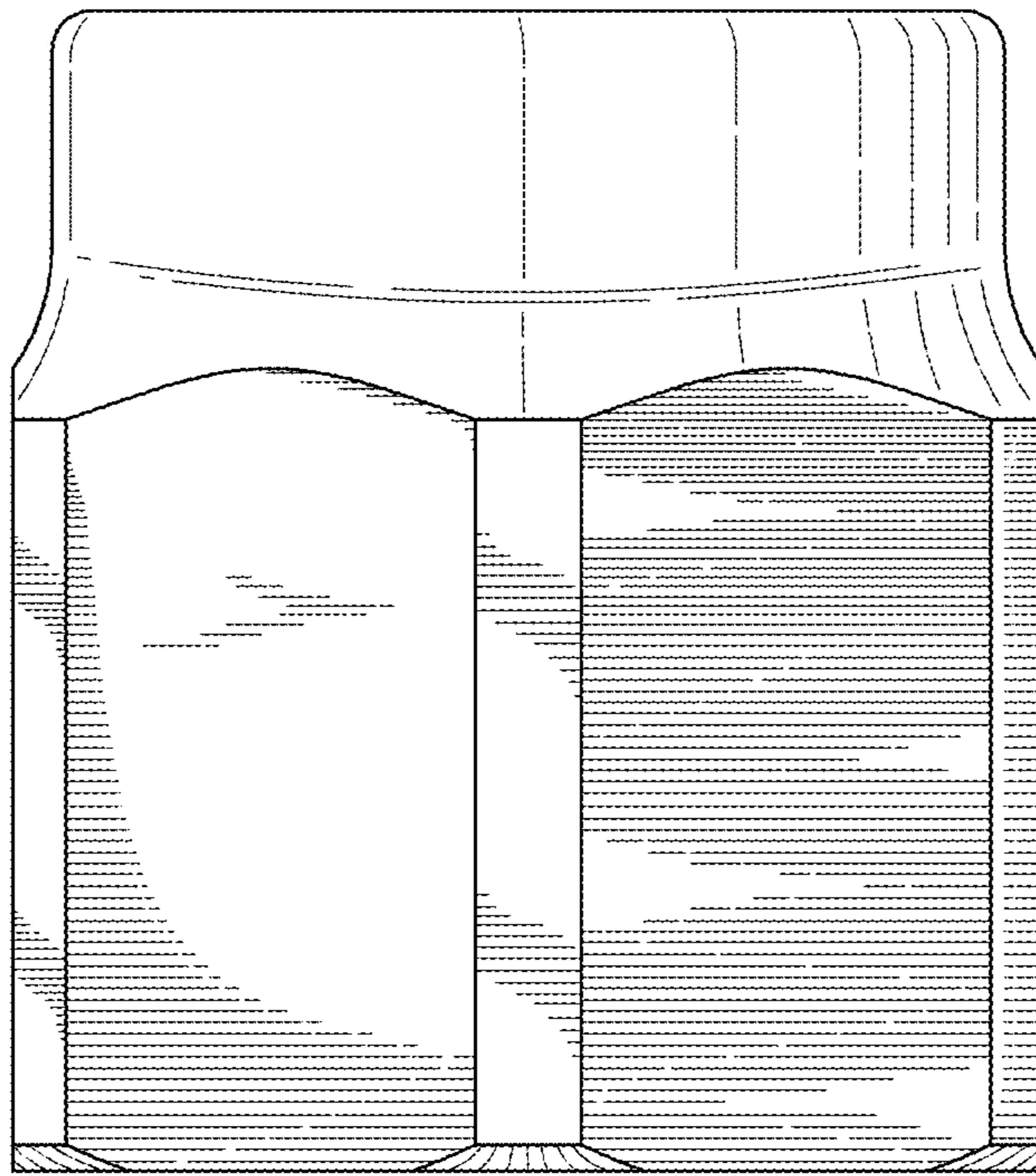


FIG.3

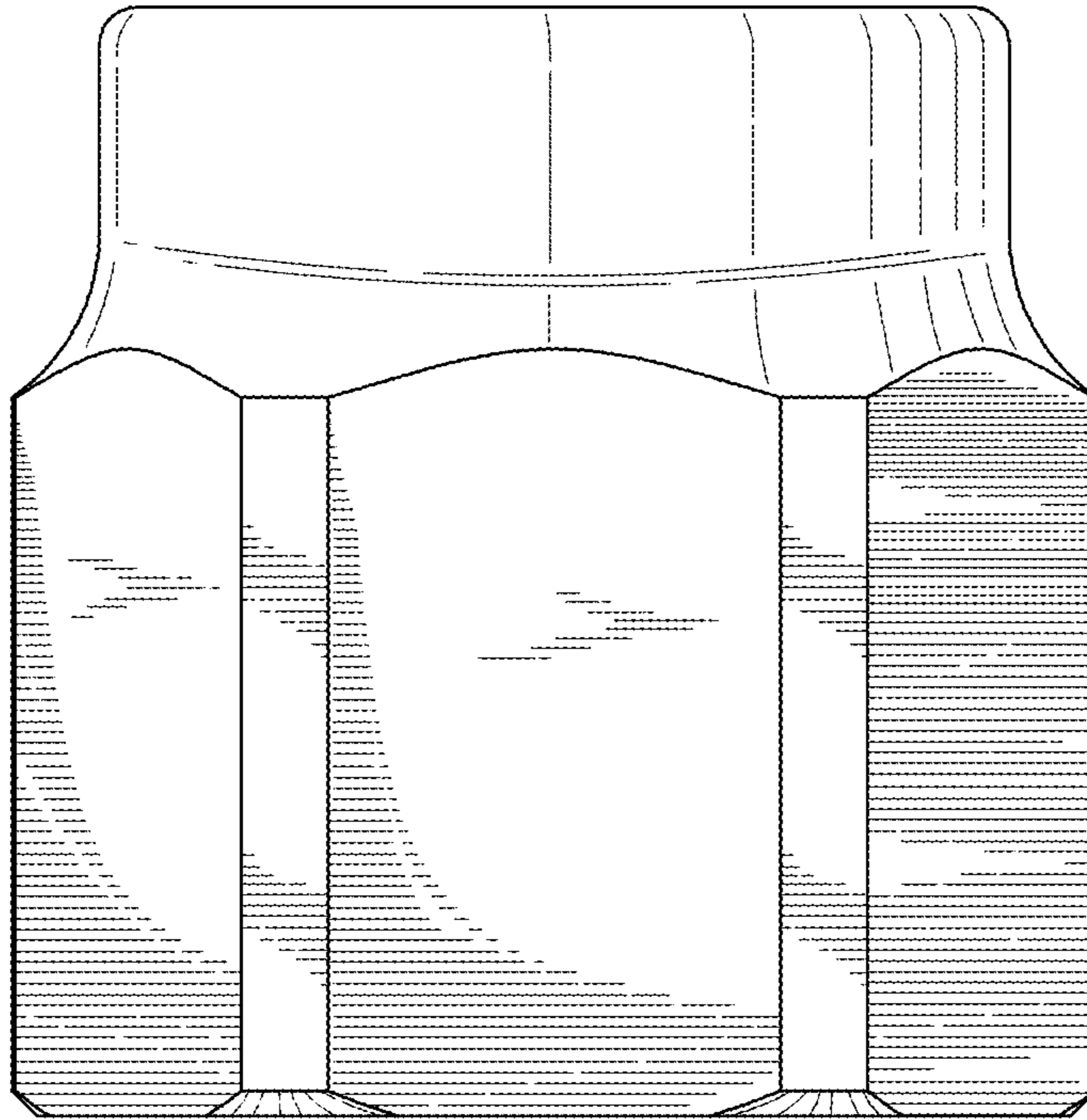


FIG.4

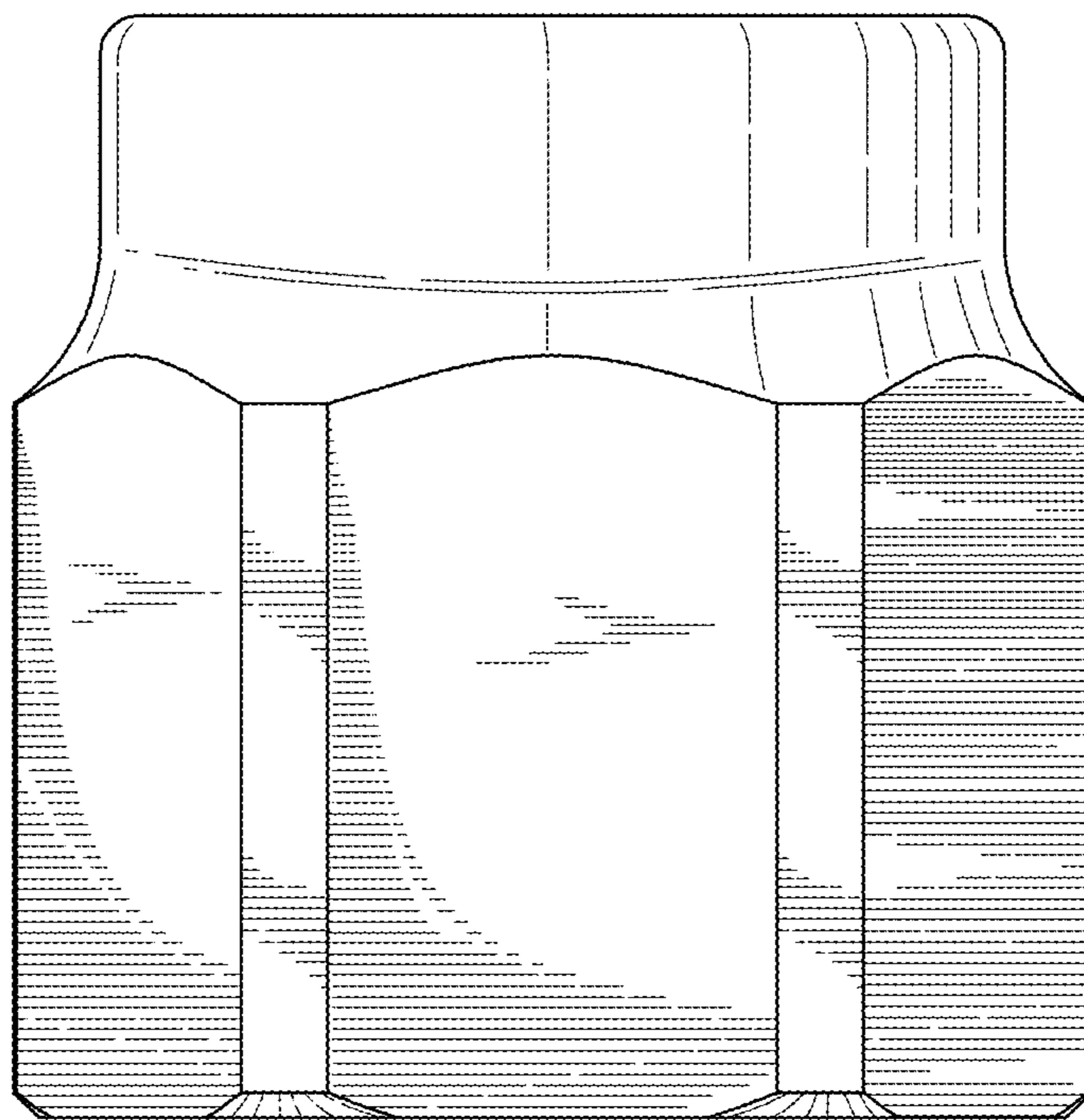


FIG.5

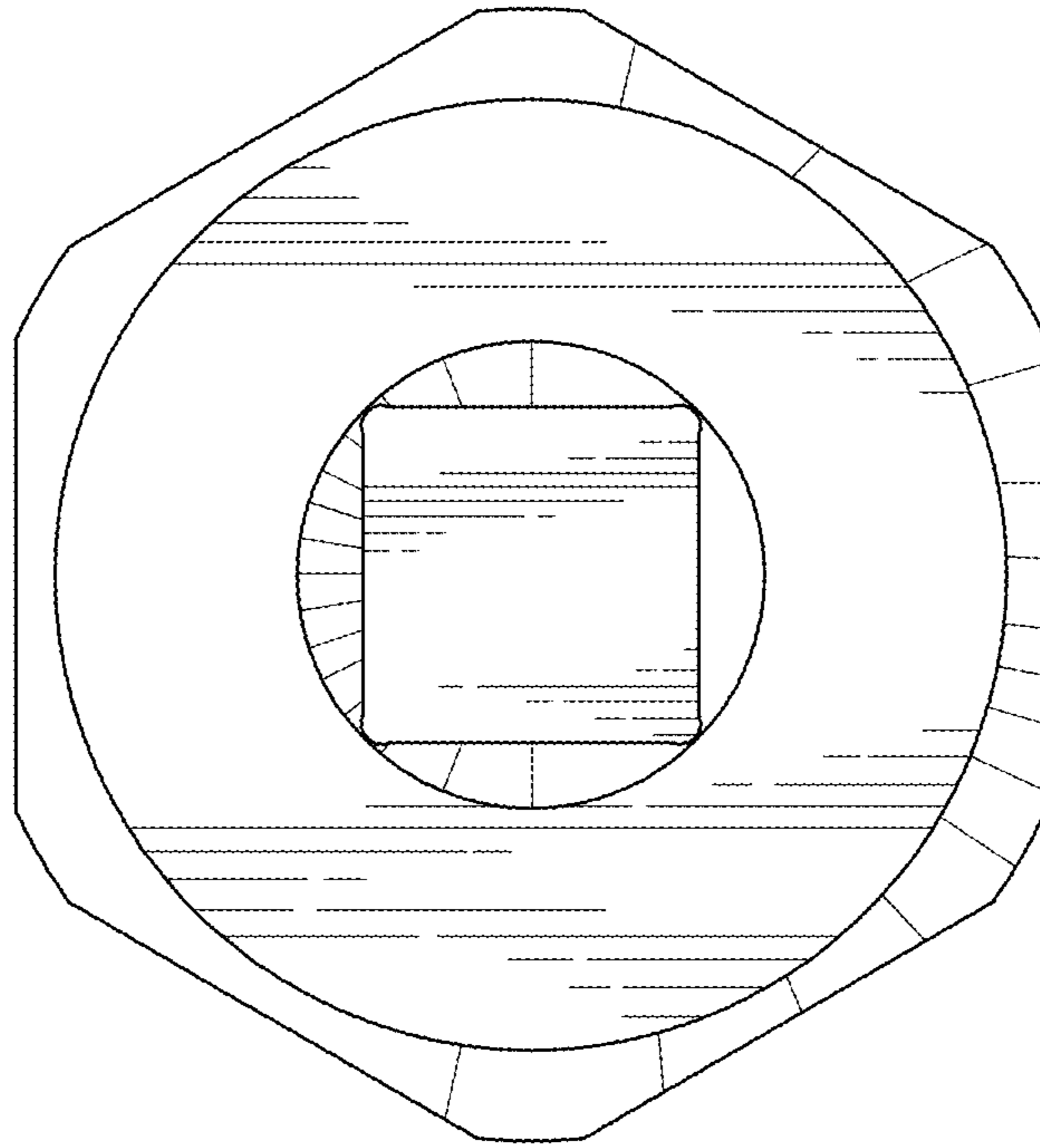


FIG.6

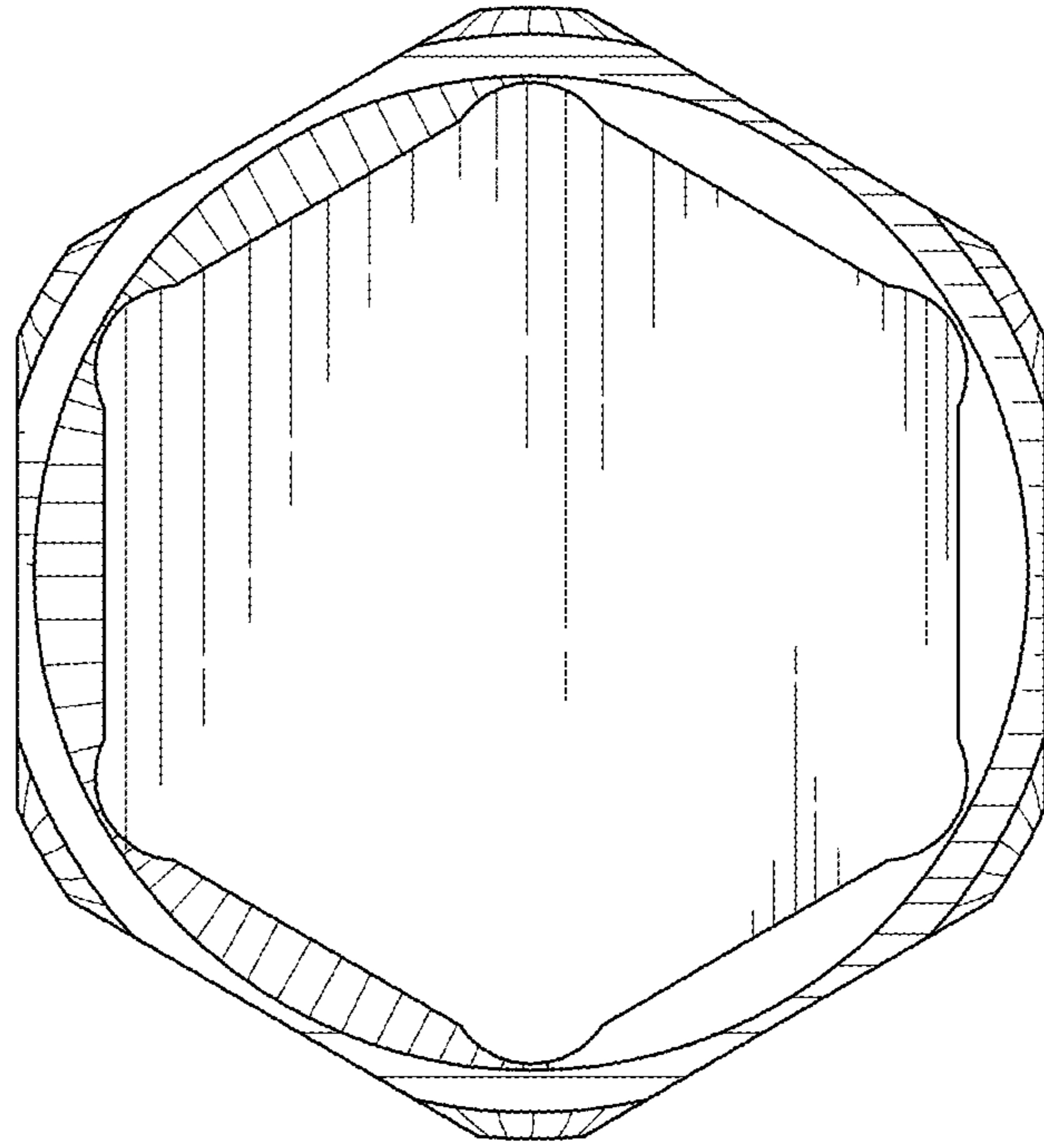


FIG.7

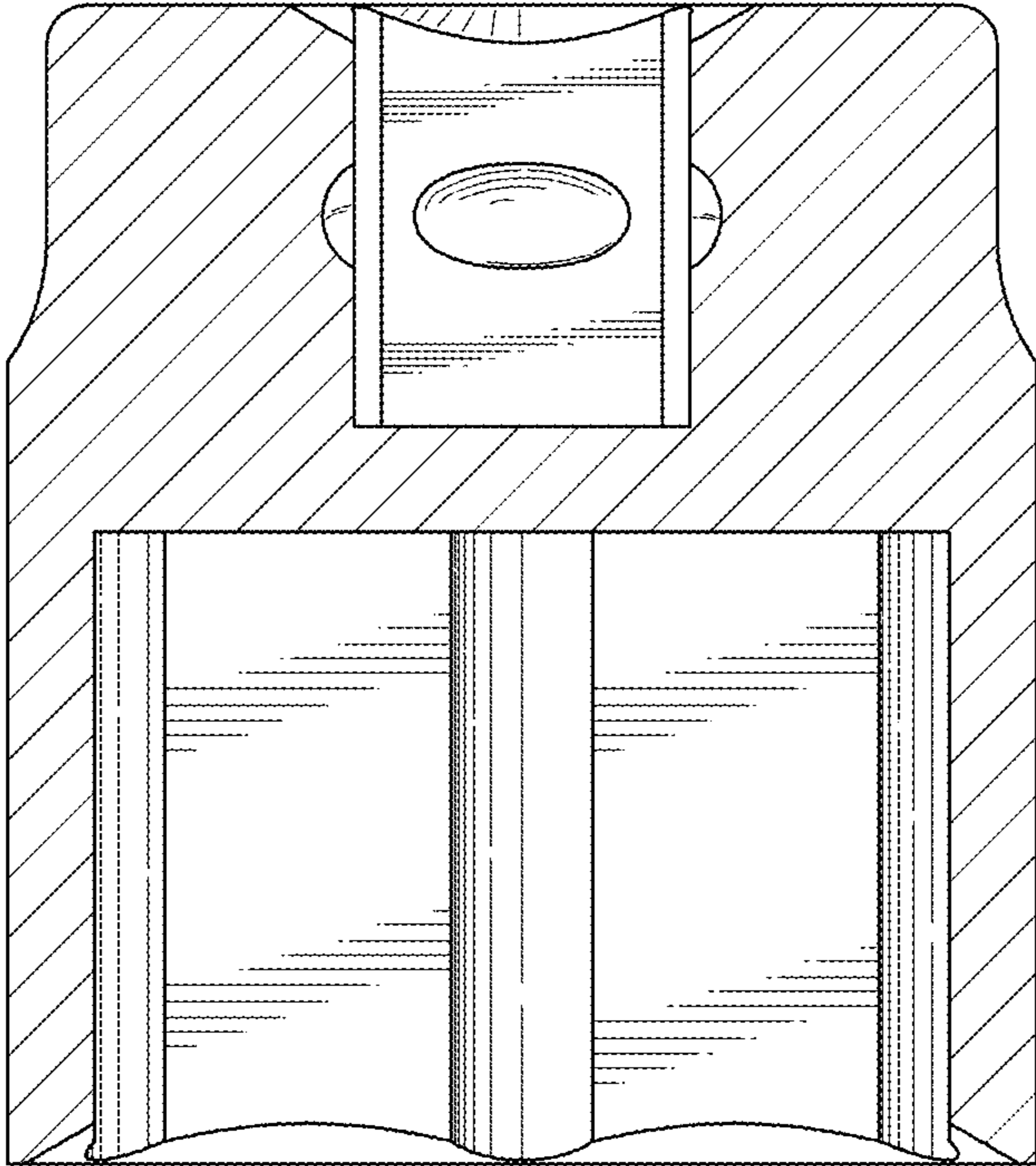


FIG.8