



US00D750454S

(12) **United States Design Patent**
Lambin

(10) **Patent No.:** **US D750,454 S**
(45) **Date of Patent:** **** Mar. 1, 2016**

(54) **PRUNER**

(71) Applicant: **Leroy Merlin France**, Lezennes (FR)

(72) Inventor: **Olivier Lambin**, Lezennes (FR)

(73) Assignee: **Leroy Merlin France**, Lezennes (FR)

(**) Term: **14 Years**

(21) Appl. No.: **29/480,949**

(22) Filed: **Jan. 30, 2014**

(30) **Foreign Application Priority Data**

Jul. 30, 2013 (EM) 002283895-0001

Jul. 30, 2013 (EM) 002283895-0002

Jul. 30, 2013 (EM) 002283895-0003

(51) **LOC (10) Cl.** **08-01**

(52) **U.S. Cl.**
USPC **D8/5**

(58) **Field of Classification Search**
USPC D8/4, 5; 30/251, 252, 261, 262, 266
CPC A01G 3/08; A01G 3/02; A01G 3/06
See application file for complete search history.

(56) **References Cited**

U.S. PATENT DOCUMENTS

D438,071	S	*	2/2001	Deville	D8/5
D501,378	S	*	2/2005	Tatic	D8/5
D582,733	S	*	12/2008	Davies et al.	D8/5
D585,251	S	*	1/2009	Lee et al.	D8/5
D635,417	S	*	4/2011	Huang	D8/5
D648,605	S	*	11/2011	Lee	D8/5
D706,097	S	*	6/2014	Lyytikainen et al.	D8/5
D706,590	S	*	6/2014	Sade et al.	D8/5
2002/0046466	A1	*	4/2002	Deville	30/270
2013/0091713	A1	*	4/2013	Wu	30/254

* cited by examiner

Primary Examiner — Sheryl Lane

(74) *Attorney, Agent, or Firm* — Christensen O'Connor Johnson Kindness PLLC

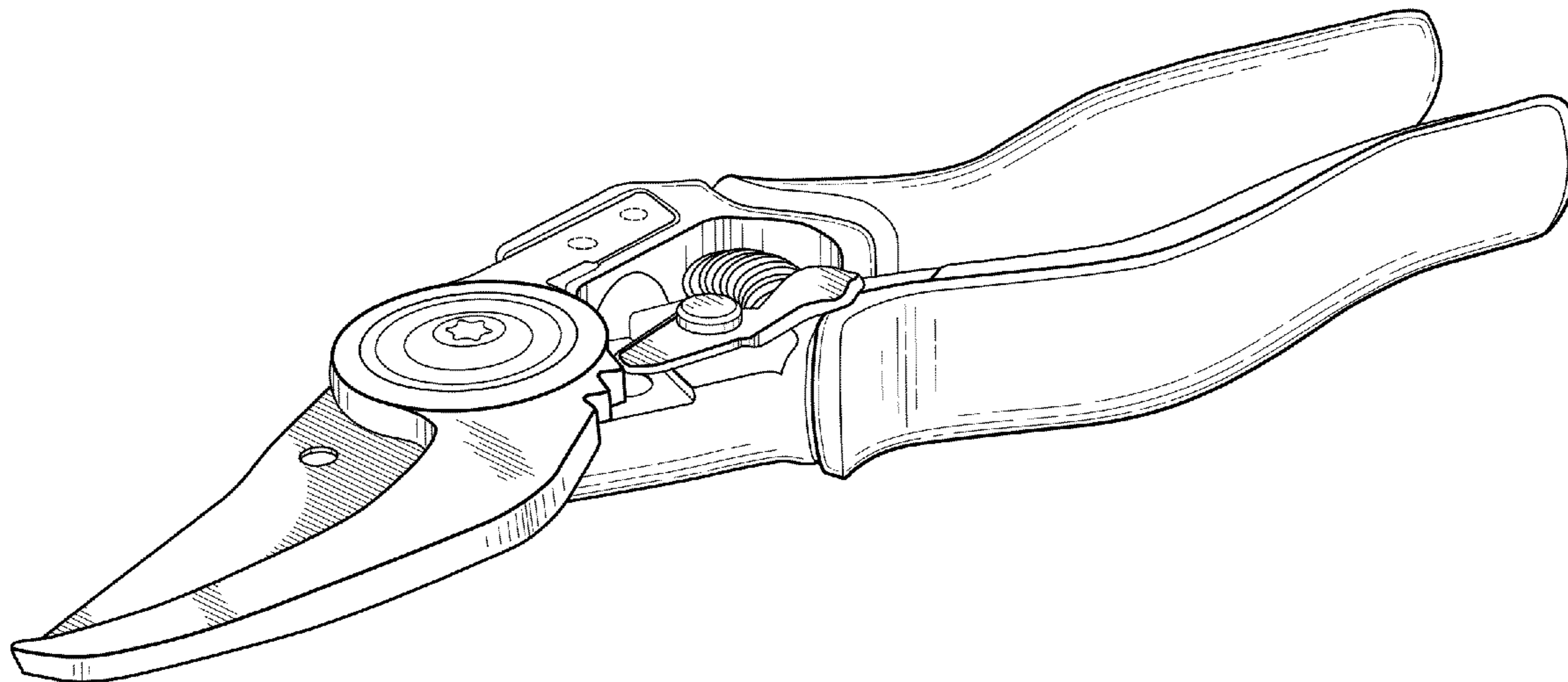
(57) **CLAIM**

The ornamental design for a pruner, as shown and described.

DESCRIPTION

FIG. 1 is a bottom front right perspective view of a pruner showing my new design;
FIG. 2 is a left side elevation view thereof;
FIG. 3 is a right side elevation view thereof;
FIG. 4 is a top plan view thereof; and,
FIG. 5 is a bottom plan view thereof.

1 Claim, 3 Drawing Sheets



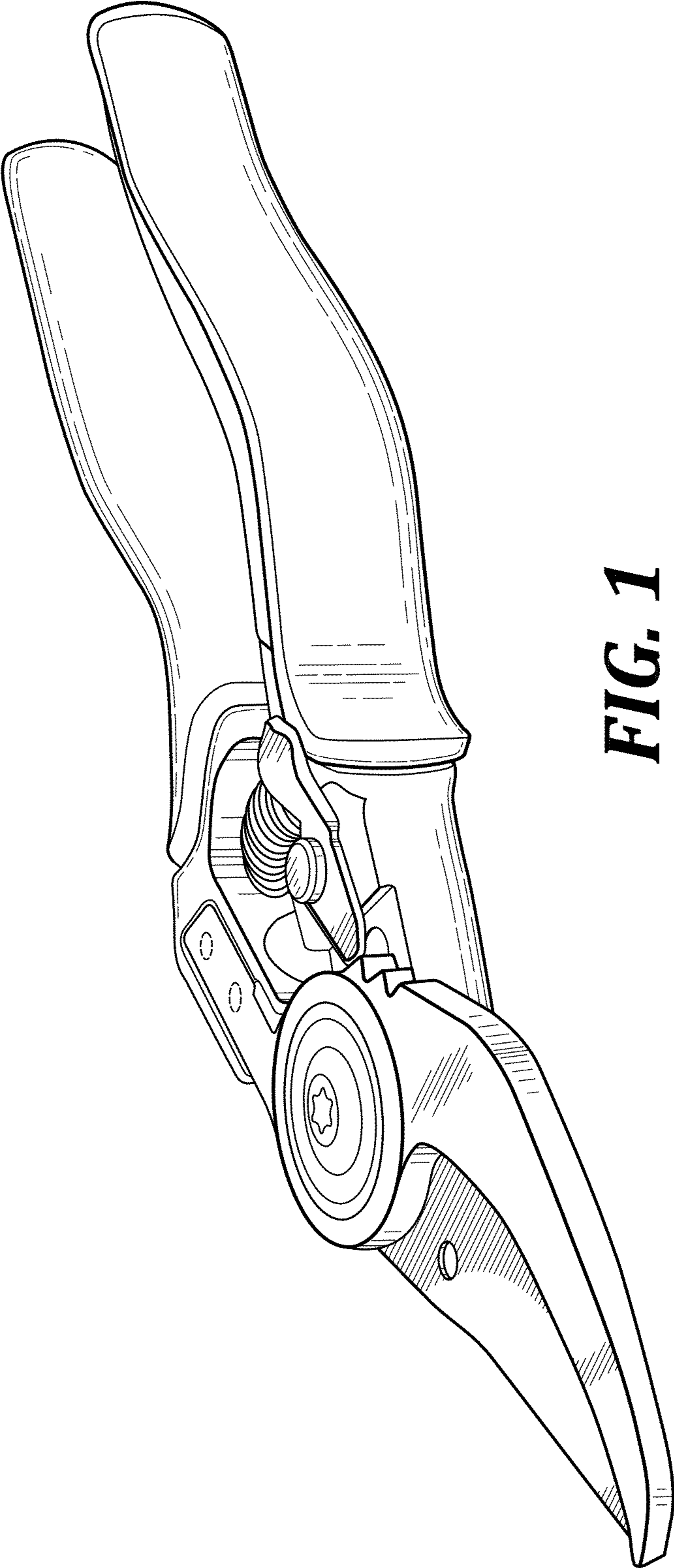


FIG. 1

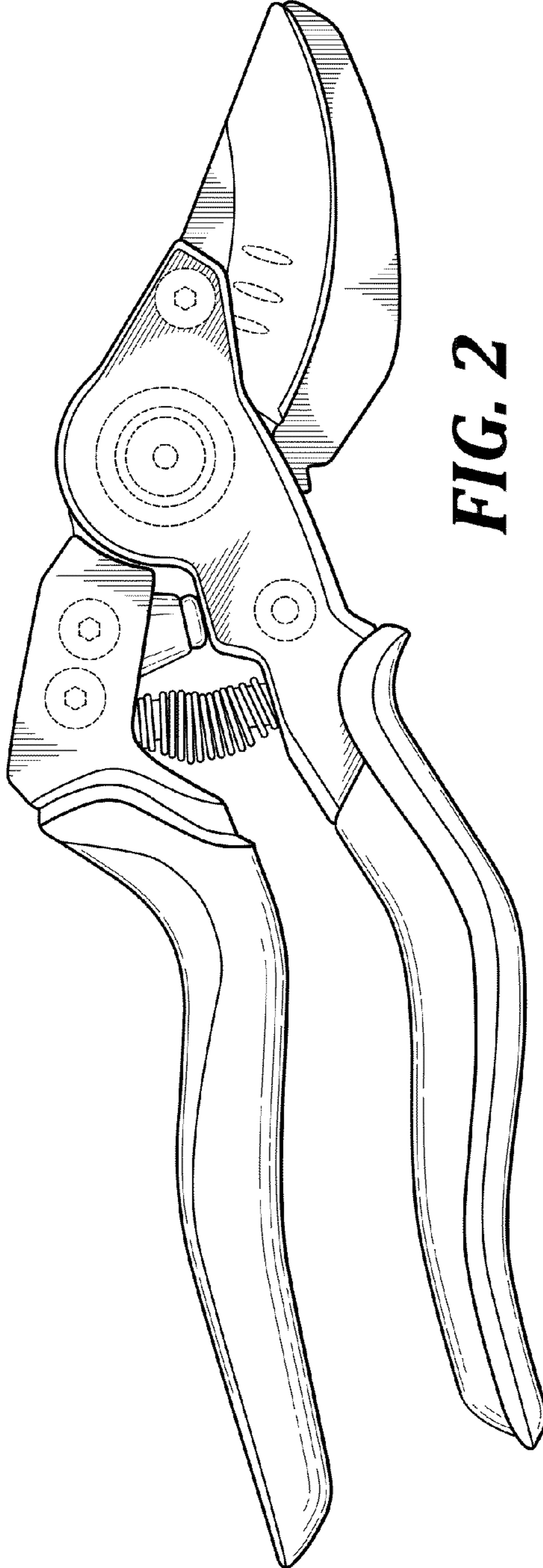


FIG. 2

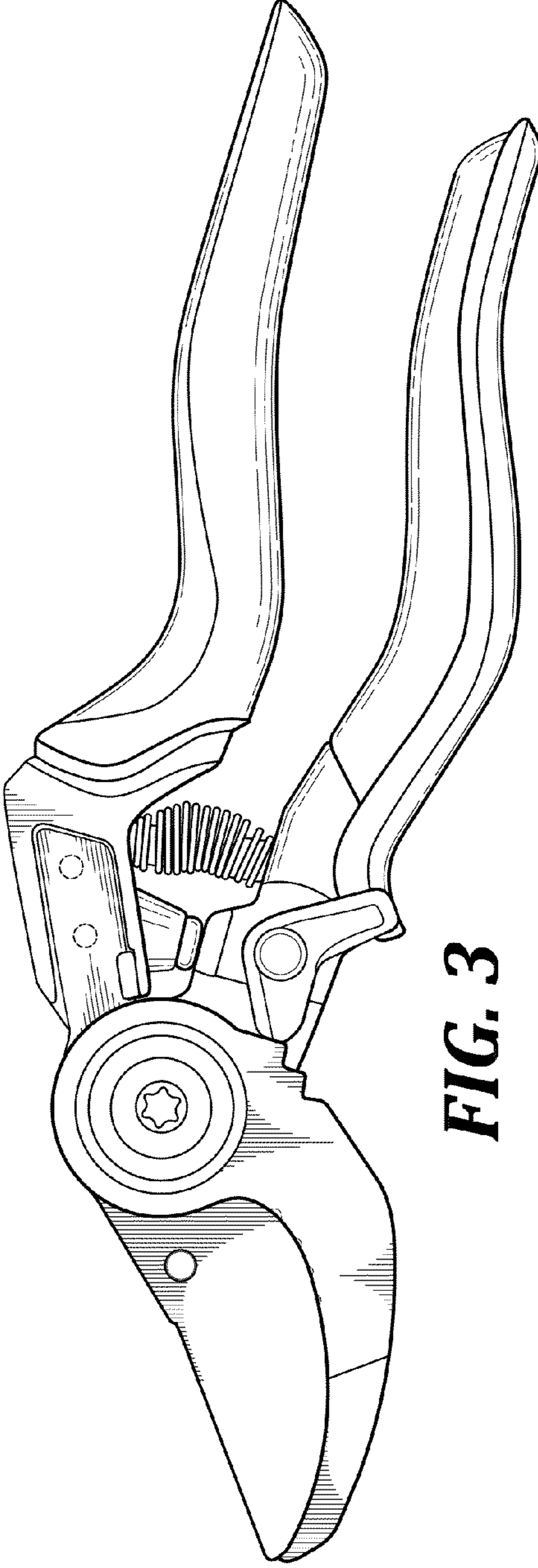


FIG. 3

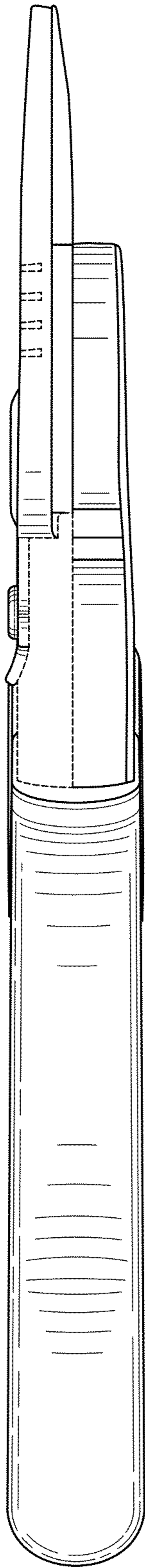


FIG. 4

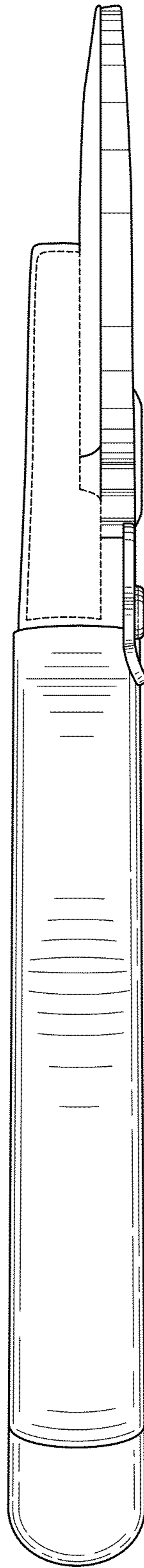


FIG. 5