



US00D750452S

(12) **United States Design Patent**
Liberman

(10) **Patent No.:** **US D750,452 S**
(45) **Date of Patent:** **** Mar. 1, 2016**

(54) **COMBINED SOFT FOOD SHAPING AND STORAGE CONTAINER FOR FREEZER**

(71) Applicant: **Maya Barbara Liberman**, Oakville (CA)

(72) Inventor: **Maya Barbara Liberman**, Oakville (CA)

(**) Term: **14 Years**

(21) Appl. No.: **29/481,159**

(22) Filed: **Feb. 26, 2014**

(51) **LOC (10) Cl.** **07-04**

(52) **U.S. Cl.**
USPC **D7/672**

(58) **Field of Classification Search**
USPC D7/672-677, 669, 368; D15/90; 220/507, 553, 556
CPC A61J 3/06; B65D 21/0223; F25C 1/243
See application file for complete search history.

(56) **References Cited**

U.S. PATENT DOCUMENTS

4,432,529 A * 2/1984 McMillan 249/52
4,887,790 A * 12/1989 Wilkinson et al. 249/52

* cited by examiner

Primary Examiner — Terry Wallace

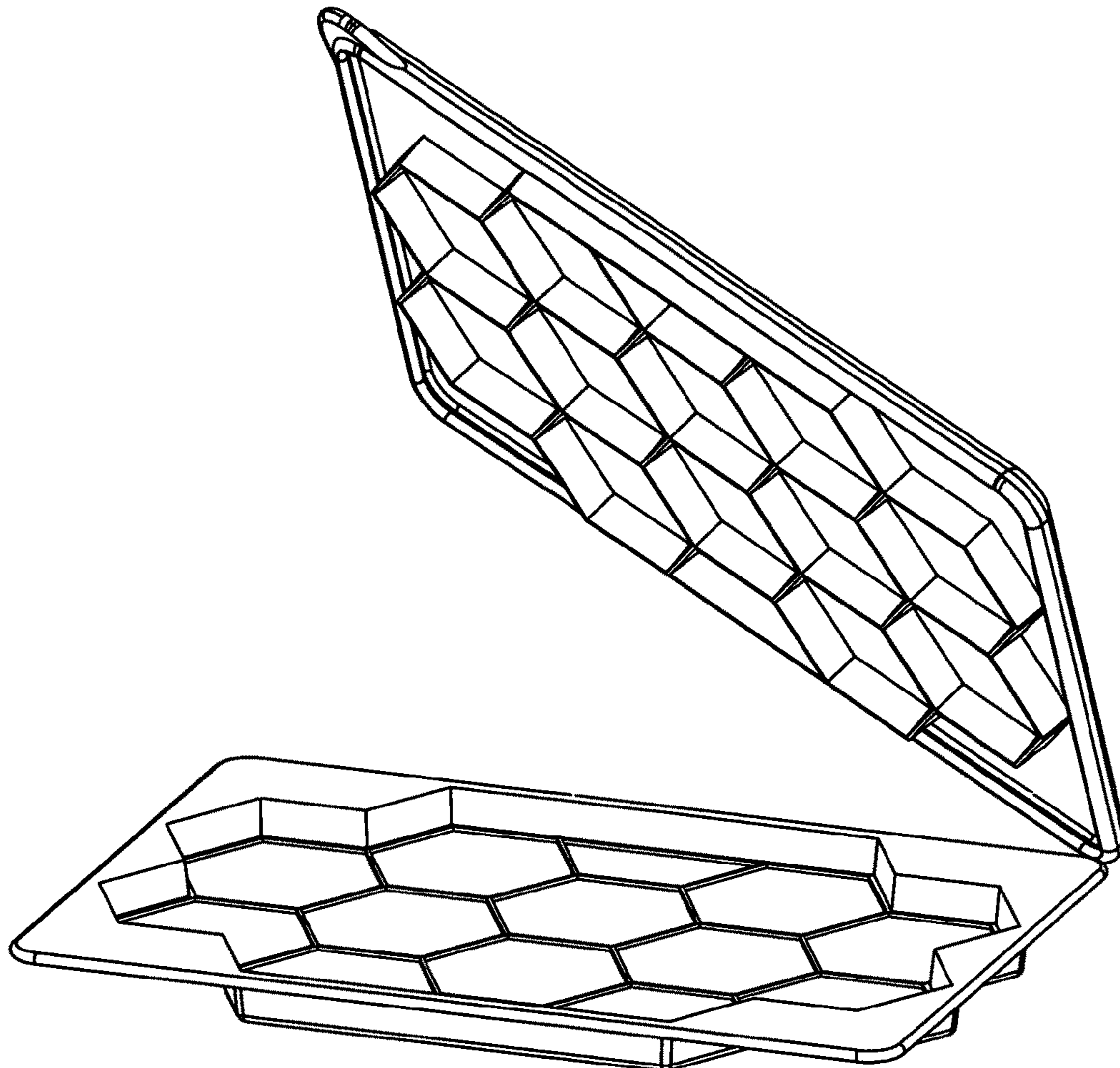
(57) **CLAIM**

The ornamental design for a combined soft food shaping and storage container for freezer, as shown and described.

DESCRIPTION

FIG. 1 is a front perspective view of the combined soft food shaping and storage container for freezer, opened, showing my new design; and, FIG. 2 is a bottom view thereof, when it is closed and sealed. My food shaper and container is characterized by the hexagonal shapes that are linked together to a flat surface and mate with the corresponding tray piece to form a seal.

1 Claim, 2 Drawing Sheets



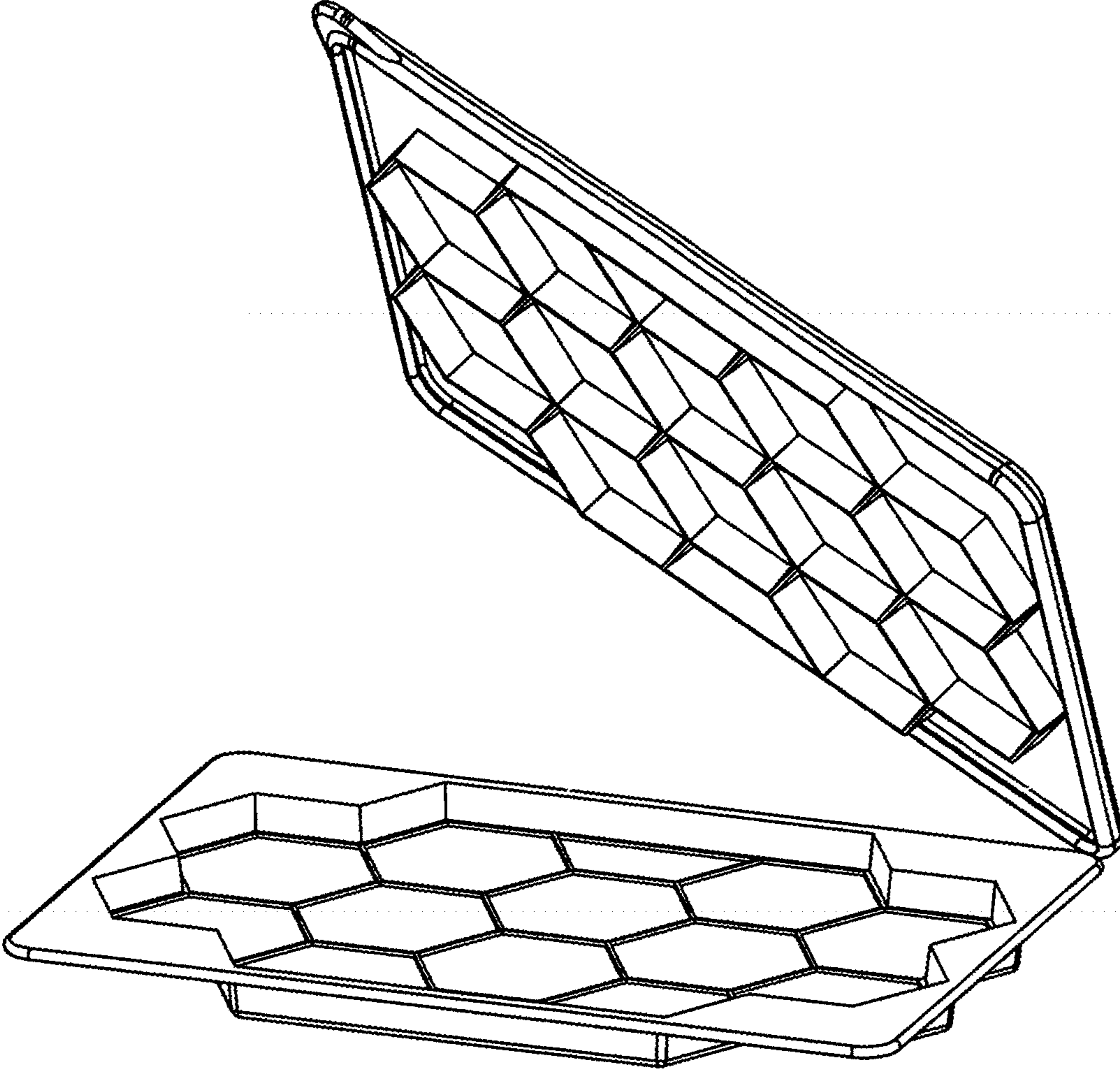


Fig.1

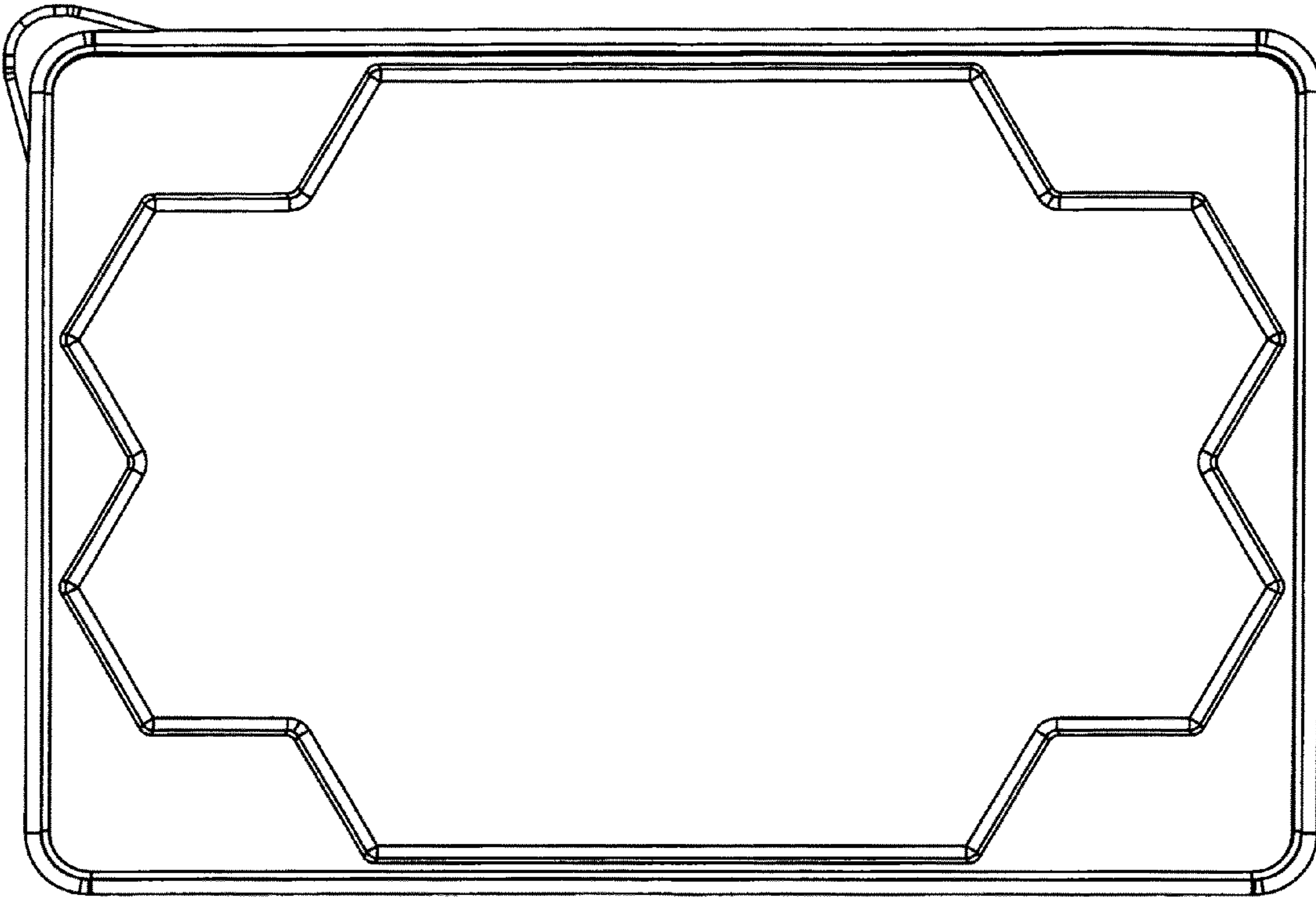


Fig.2