

US00D750449S

(12) **United States Design Patent**
Kostler et al.

(10) **Patent No.:** **US D750,449 S**
(45) **Date of Patent:** **** Mar. 1, 2016**

(54) **STRAINER**

(71) Applicants: **Carter Kostler**, Virginia Beach, VA (US); **Carla Anne Weisman**, Virginia Beach, VA (US); **Mark David Weisman**, Virginia Beach, VA (US)

(72) Inventors: **Carter Kostler**, Virginia Beach, VA (US); **Carla Anne Weisman**, Virginia Beach, VA (US); **Mark David Weisman**, Virginia Beach, VA (US)

(**) Term: **14 Years**

(21) Appl. No.: **29/474,750**

(22) Filed: **Jan. 28, 2015**

(51) **LOC (10) Cl.** **07-04**

(52) **U.S. Cl.**
USPC **D7/667**

(58) **Field of Classification Search**
USPC D7/667, 668, 400
CPC A47J 19/00; A47J 43/24; A47J 43/22;
A47J 43/286; A47J 43/283; A47G 19/02;
A47G 19/12; A45F 3/20

See application file for complete search history.

(56) **References Cited**

U.S. PATENT DOCUMENTS

D246,559 S *	12/1977	Steiner	210/470
D348,924 S *	7/1994	Merrett	D23/261
5,902,481 A *	5/1999	Schwietert	A47J 43/286 100/113
7,431,851 B2 *	10/2008	Chan	A47J 43/283 210/299

* cited by examiner

Primary Examiner — Terry Wallace

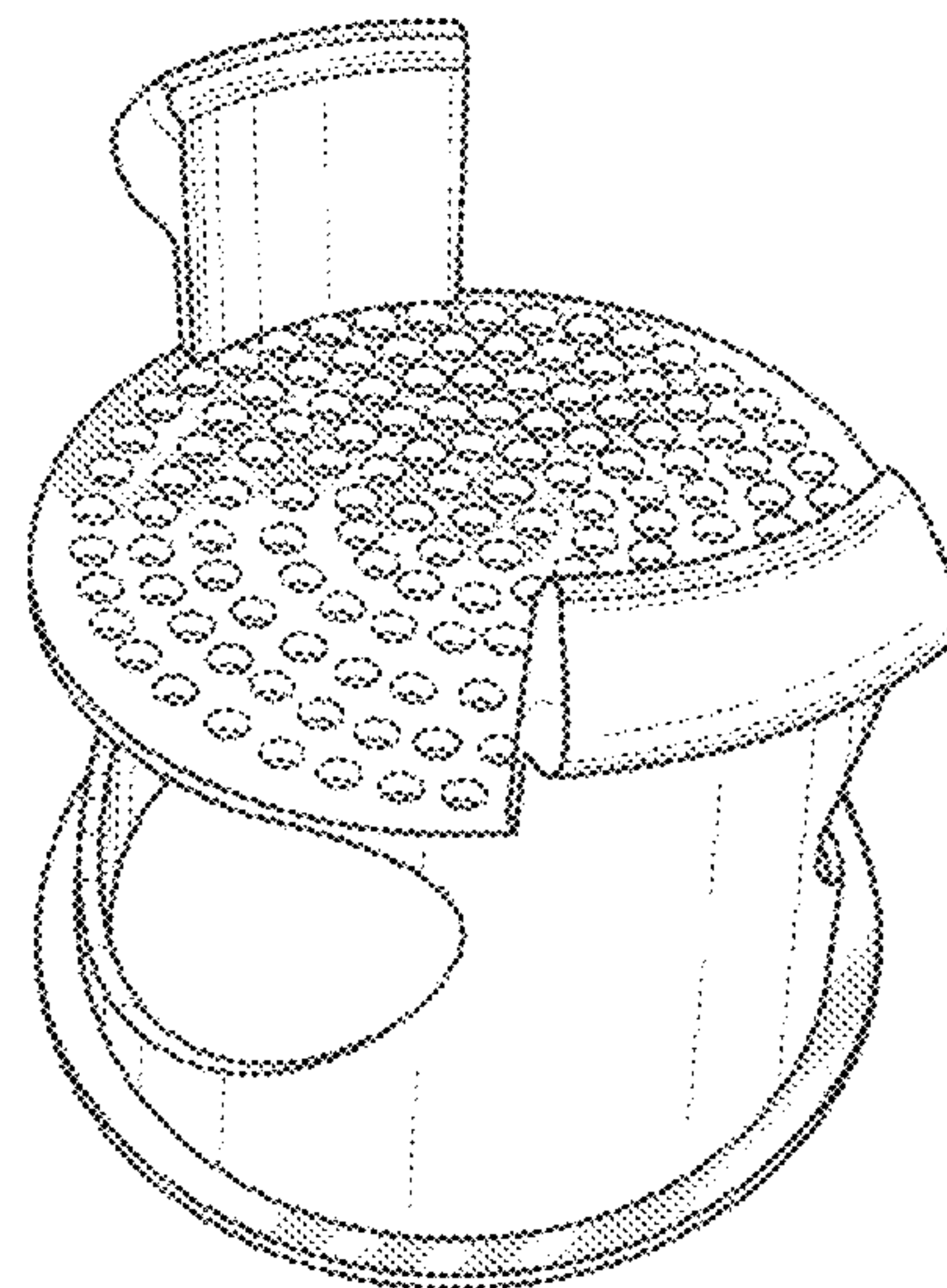
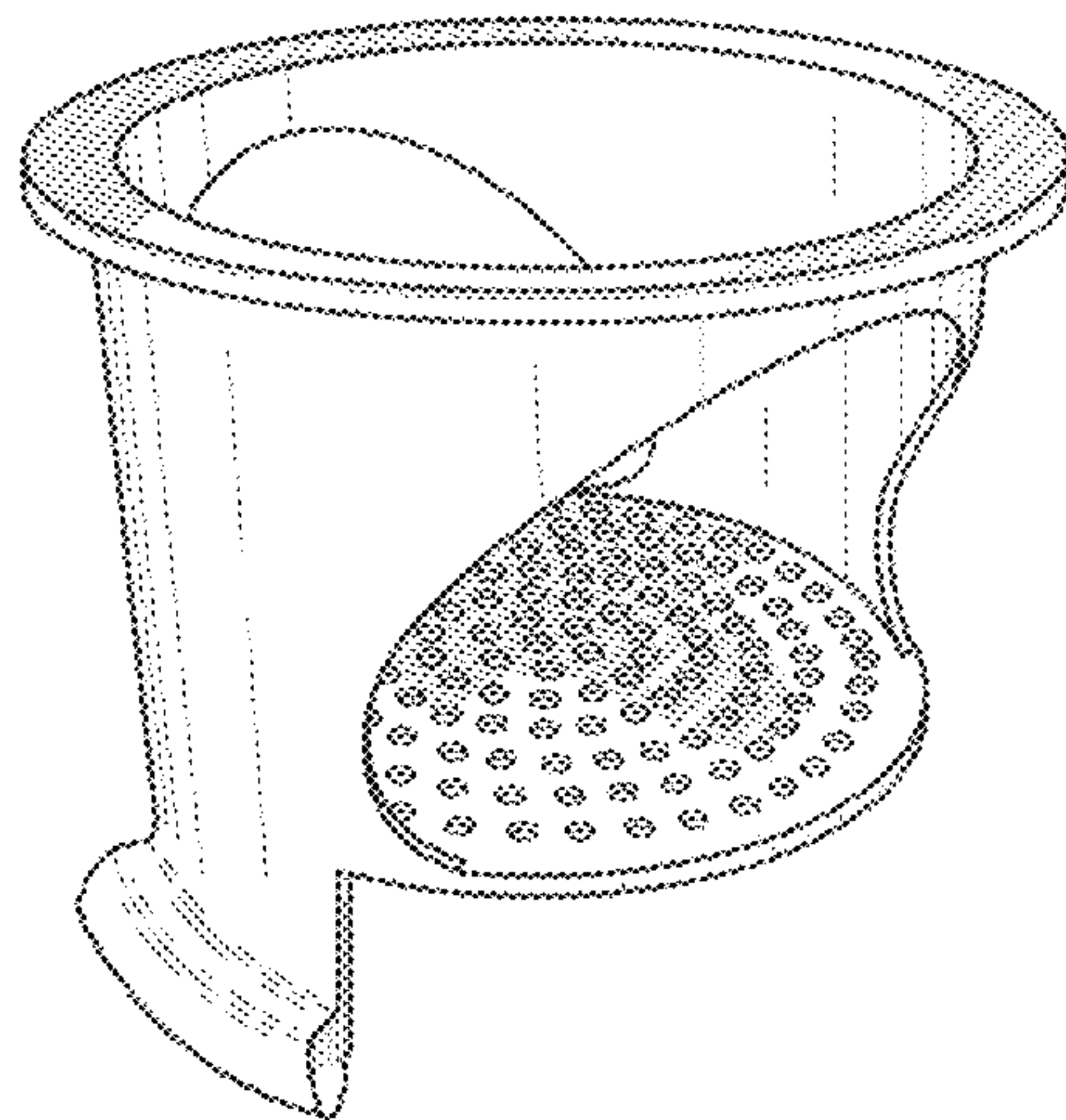
(57) **CLAIM**

The ornamental design for a strainer, as shown and described.

DESCRIPTION

FIG. 1 is a perspective top view of the strainer showing our new design;
FIG. 2 is a perspective bottom view of the strainer in FIG. 1;
FIG. 3 is a side view of the strainer in FIG. 1;
FIG. 4 is a top plan view of the strainer in FIG. 1;
FIG. 5 is a side view of the strainer in FIG. 1;
FIG. 6 is a bottom plan view of the strainer in FIG. 1;
FIG. 7 is a right elevation view of the strainer in FIG. 1; and,
FIG. 8 is a left elevation view of the strainer in FIG. 1.

1 Claim, 4 Drawing Sheets



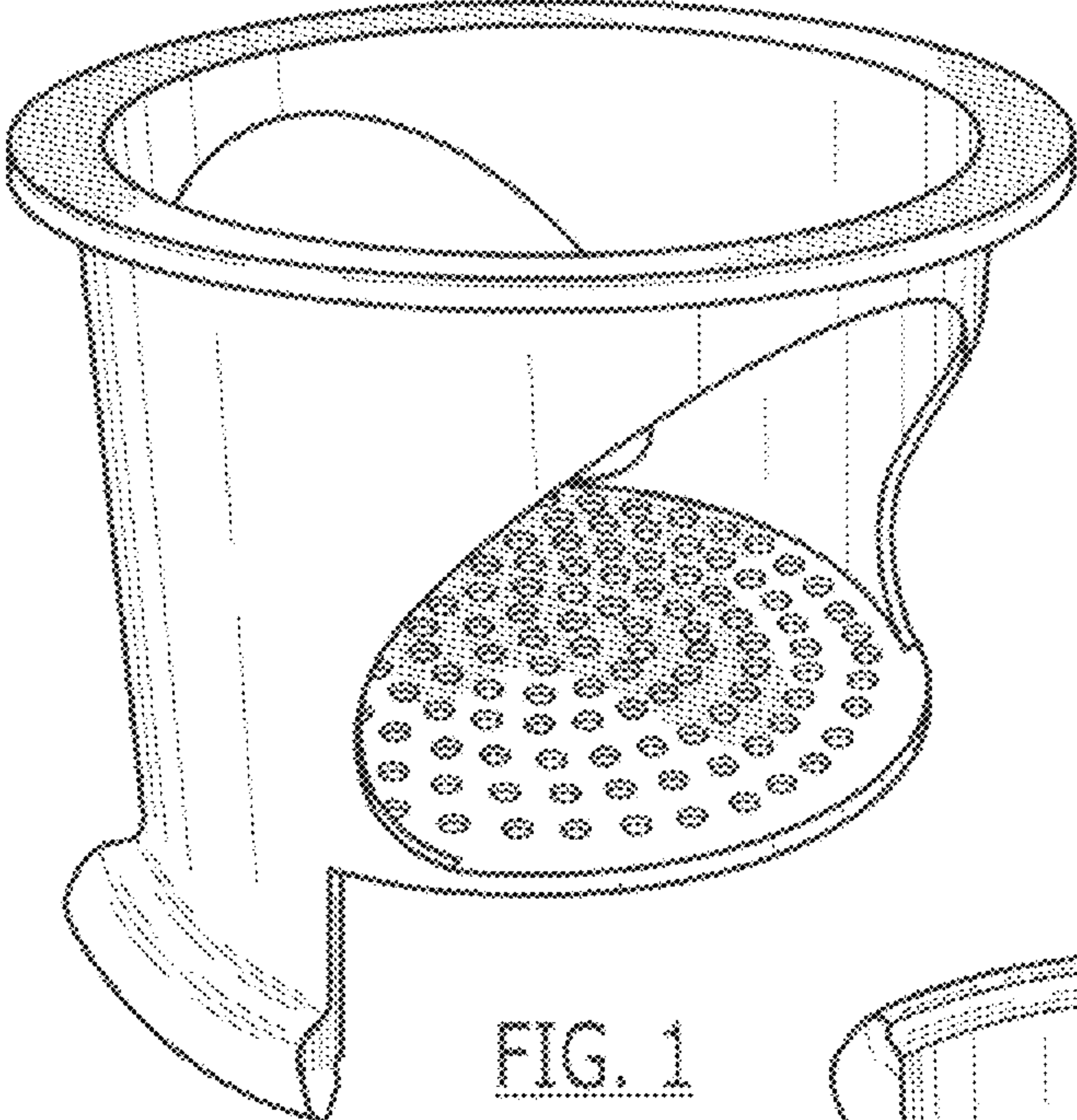


FIG. 1

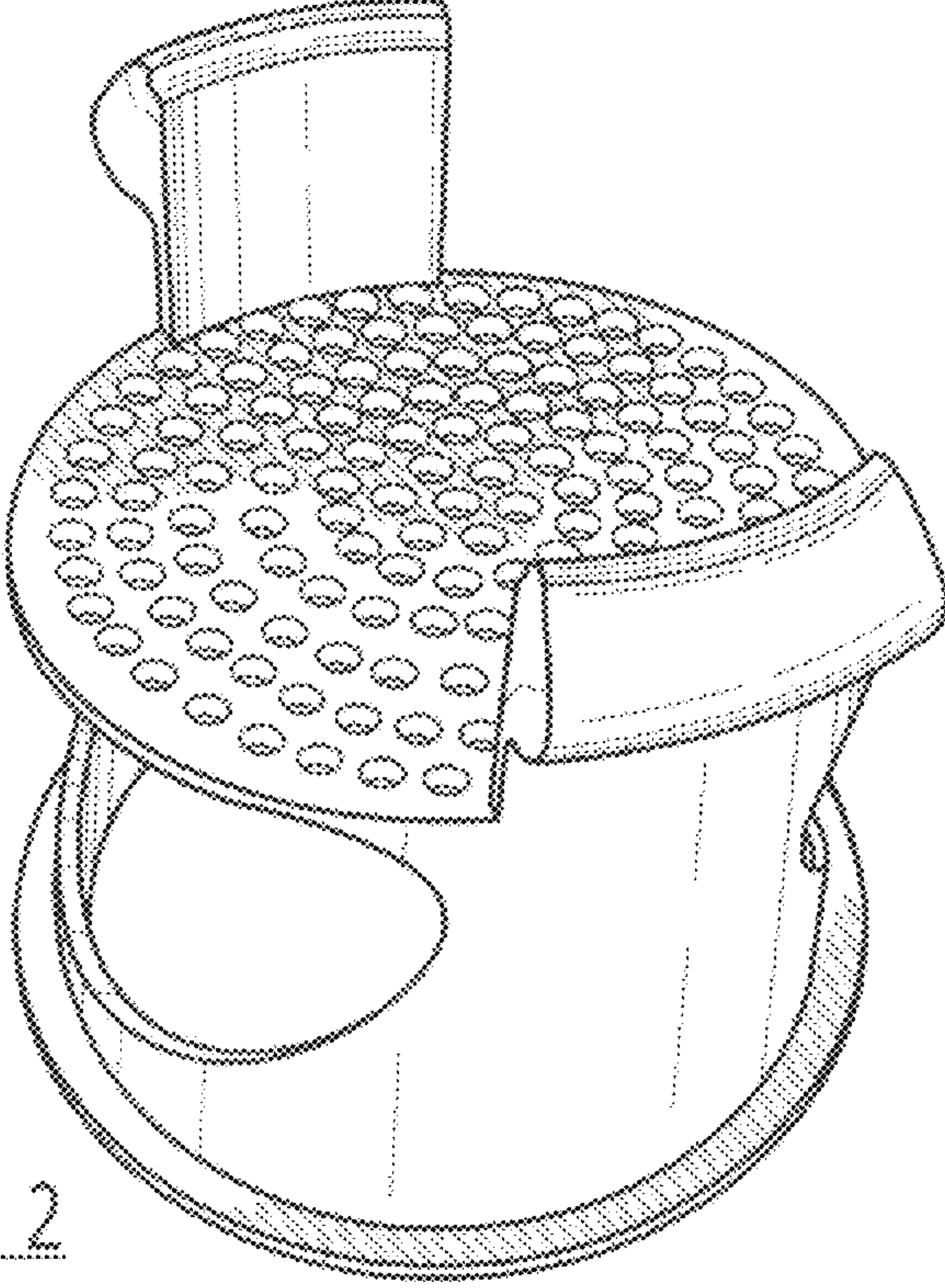
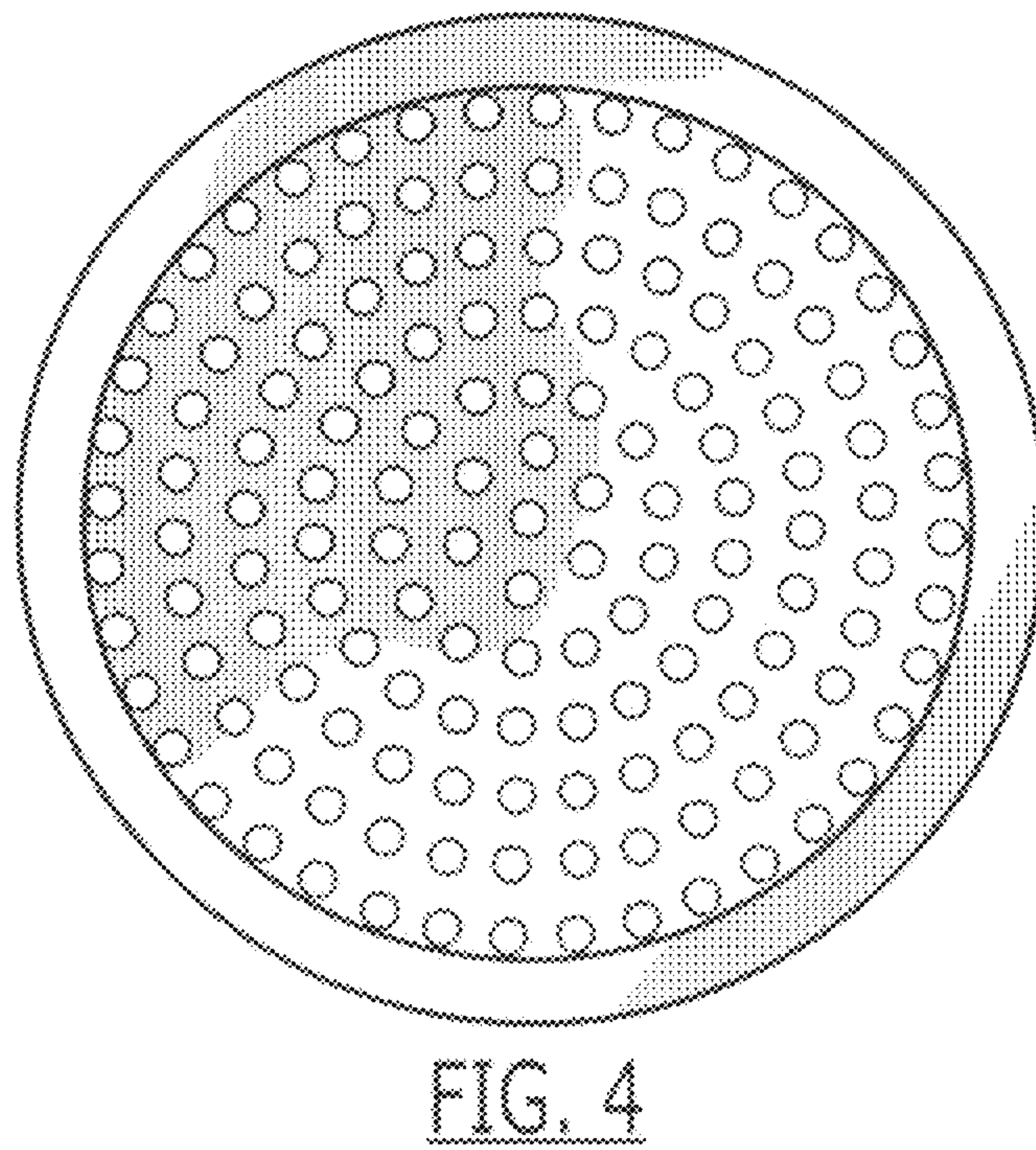
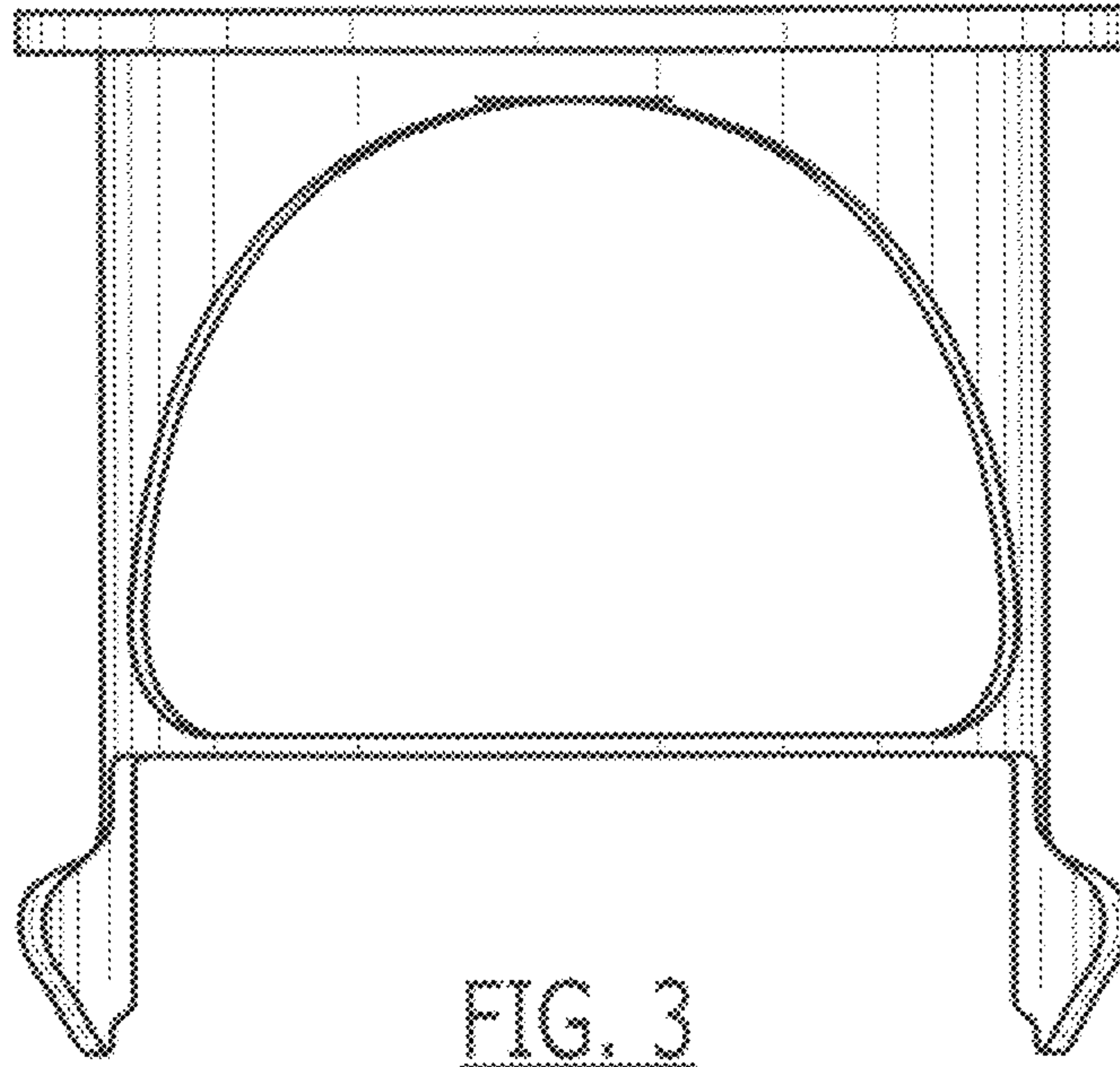


FIG. 2



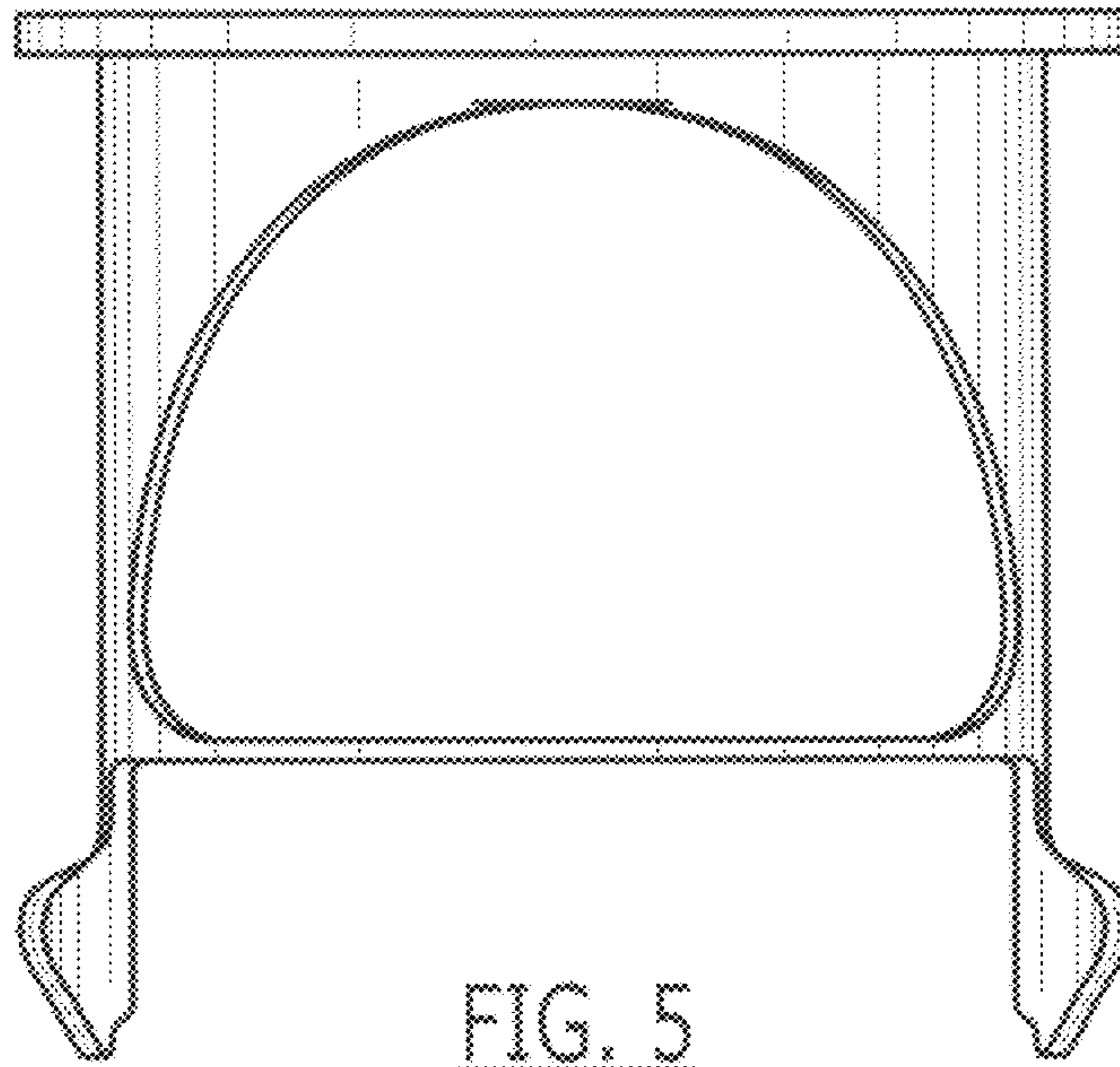


FIG. 5

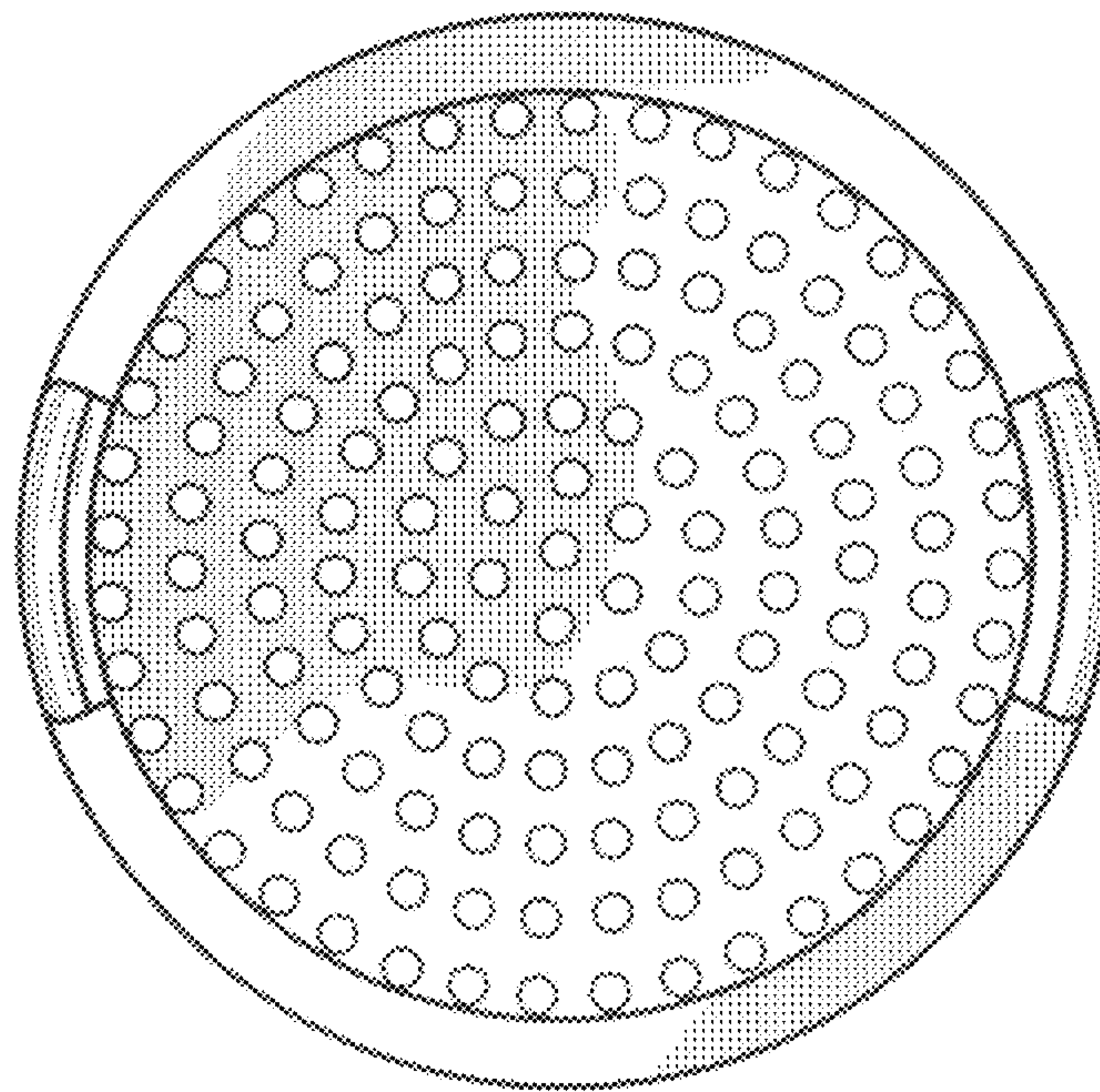


FIG. 6

