



US00D750447S

(12) **United States Design Patent**
Tincher et al.

(10) **Patent No.:** **US D750,447 S**
(45) **Date of Patent:** **** Mar. 1, 2016**

(54) **HOLDER FOR USE WITH A VERTICAL POLE**

(71) Applicant: **Swirly Gig Industries**, Minneapolis, MN (US)

(72) Inventors: **Sidney Tincher**, Minneapolis, MN (US);
Heide Constance Gross, Minneapolis, MN (US)

(73) Assignee: **Swirly Gig Industries**, Minneapolis, MN (US)

(**) Term: **14 Years**

(21) Appl. No.: **29/496,601**

(22) Filed: **Jul. 15, 2014**

(51) **LOC (10) Cl.** **07-06**

(52) **U.S. Cl.**
USPC **D7/620**

(58) **Field of Classification Search**
USPC D7/619.1-625; D6/513, 566, 553, 567,
D6/556; 47/67, 68; 248/214, 228.7,
248/231.81, 311.2, 302, 304, 210
CPC B60N 3/103; A01K 97/10; A47H 27/00;
A47G 7/045
See application file for complete search history.

(56) **References Cited**

U.S. PATENT DOCUMENTS

2,628,054	A *	2/1953	Fazakerley	B60N 3/103
					211/74
3,332,653	A *	7/1967	Hoelzel	E06C 7/146
					248/210
4,524,542	A *	6/1985	Elliott	A47G 7/045
					47/67
D337,226	S *	7/1993	Rosenbaum	D6/513
D338,122	S *	8/1993	Emalfarb	D6/513
D352,674	S *	11/1994	Richards	D11/148
5,558,236	A *	9/1996	Williams	A47G 19/08
					211/133.6
5,711,502	A *	1/1998	Emalfarb	A47H 27/00
					248/302

D554,927	S *	11/2007	Smith	D6/513
D555,461	S	11/2007	Tincher		
7,690,612	B1 *	4/2010	Branson	A47H 27/00
					248/302
D632,908	S	2/2011	Tincher		
8,430,366	B2	4/2013	Tincher		
2002/0000504	A1 *	1/2002	Bayne	F21S 4/001
					248/302

* cited by examiner

Primary Examiner — Terry Wallace

(74) *Attorney, Agent, or Firm* — Fredrikson & Byron P.A.

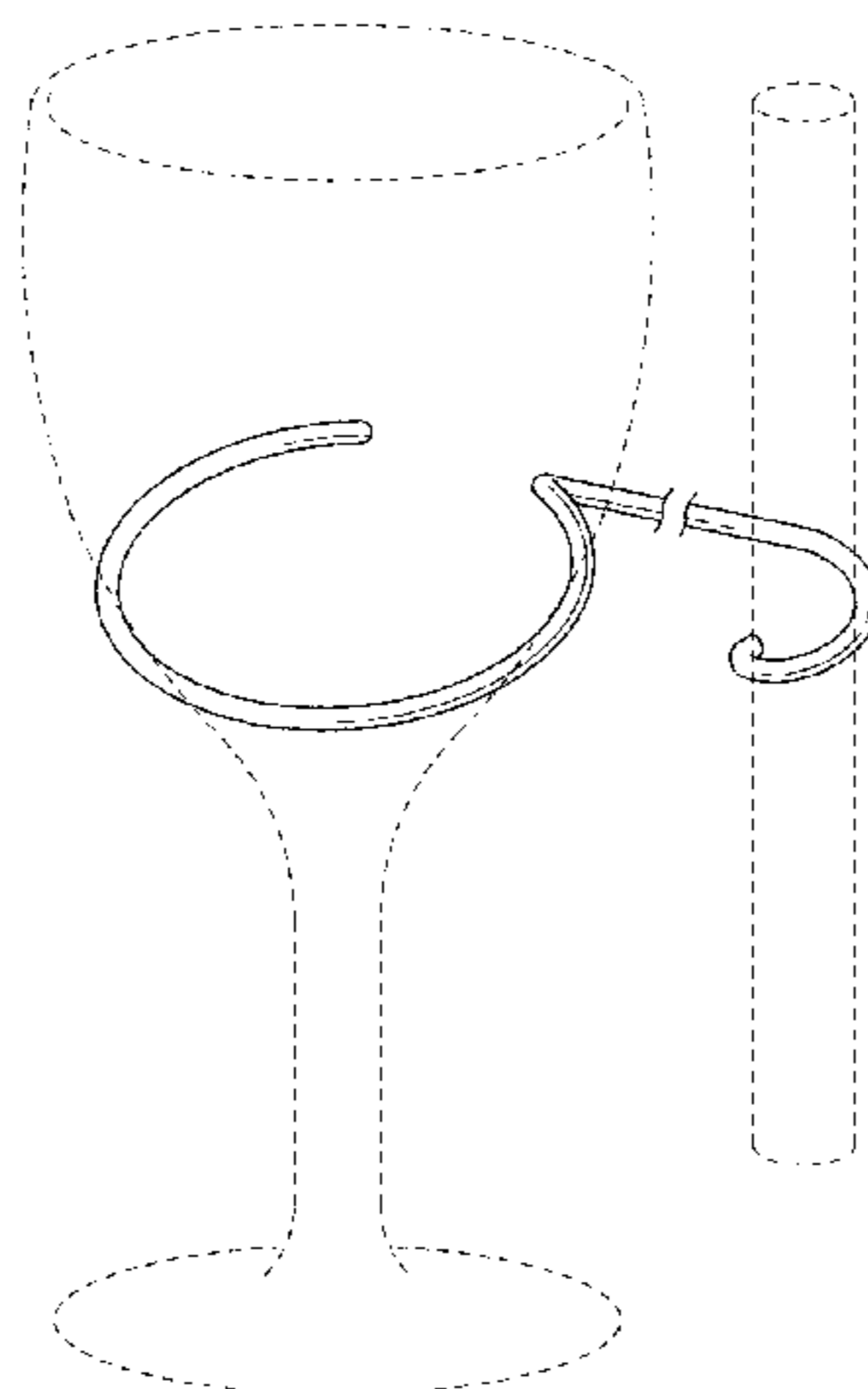
(57) **CLAIM**

We claim the ornamental design for an holder for use with a vertical pole, as shown and described.

DESCRIPTION

FIG. 1 is a perspective view of the holder for use with a vertical pole of our new design according to a first embodiment, shown in its ordinary environment holding a glass; FIG. 2 is a perspective view thereof; FIG. 3 is a front elevation view thereof; FIG. 4 is a rear elevation view thereof; FIG. 5 is a right side view thereof; FIG. 6 is a left side view thereof; FIG. 7 is a top plan view thereof; FIG. 8 is a bottom plan view thereof; FIG. 9 is a perspective view of the holder for use with a vertical pole of our new design according to a second embodiment, shown in its ordinary environment holding a glass; FIG. 10 is a perspective view thereof; FIG. 11 is a front elevation view thereof; FIG. 12 is a rear elevation view thereof; FIG. 13 is a right side view thereof; FIG. 14 is a left side view thereof; FIG. 15 is a top plan view thereof; and, FIG. 16 is a bottom plan view thereof. The broken lines are for the purpose of illustrating environmental structure and form no part of the claimed design.

1 Claim, 4 Drawing Sheets



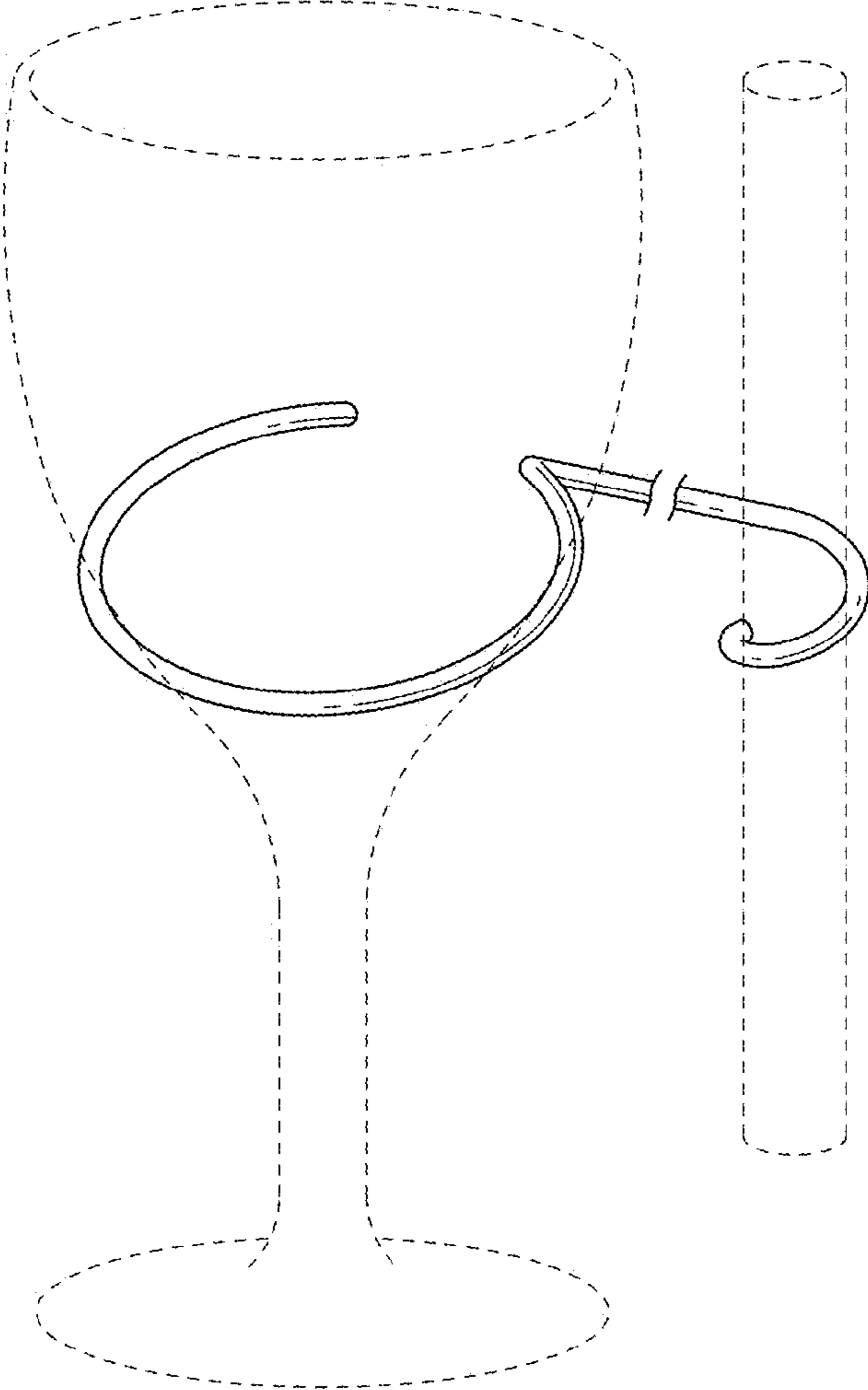


FIG. 1

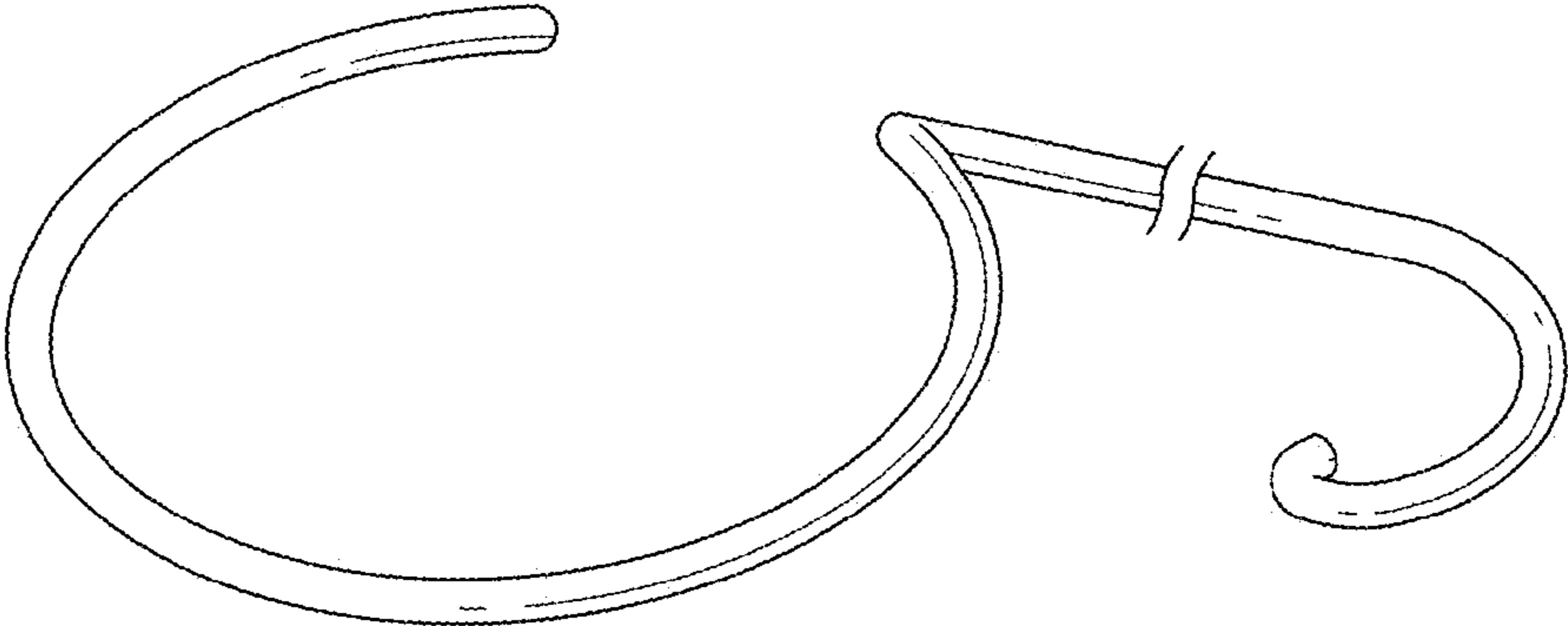


FIG. 2

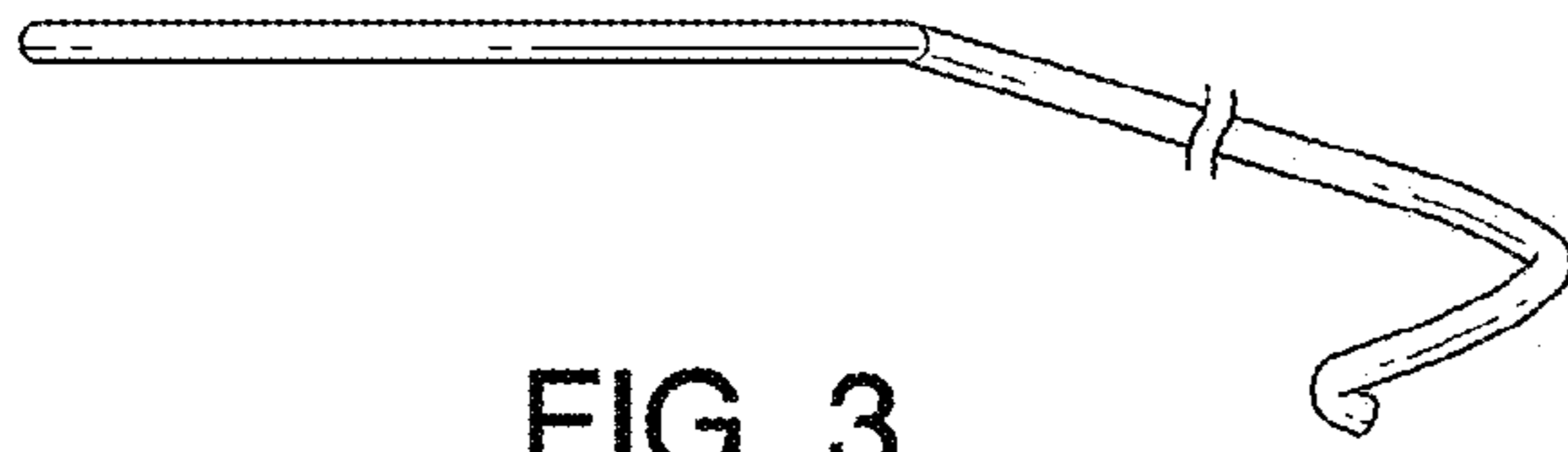


FIG. 3

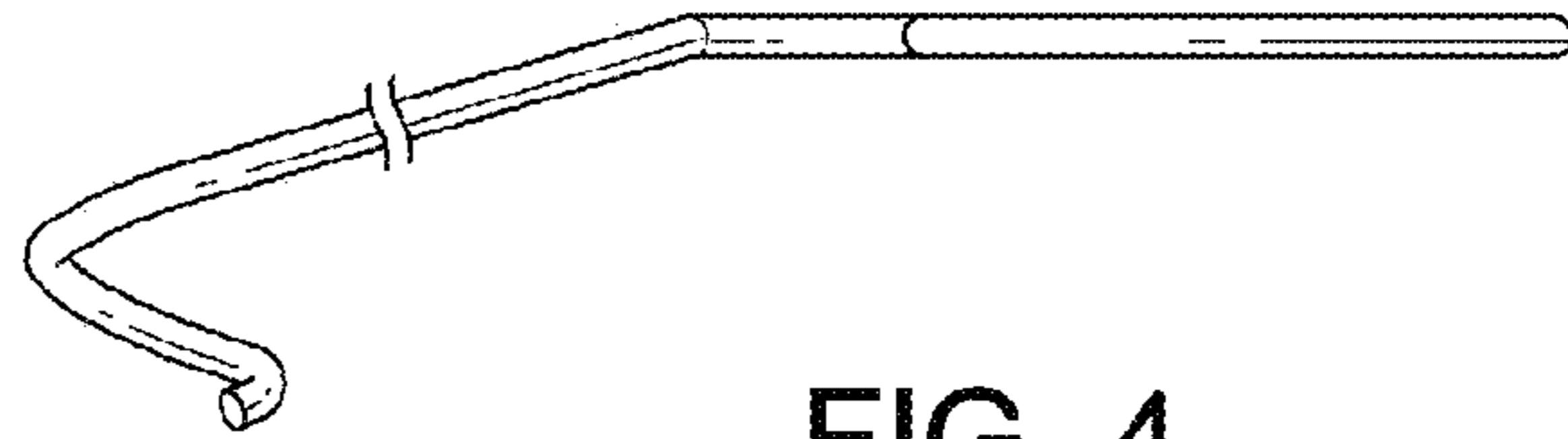


FIG. 4

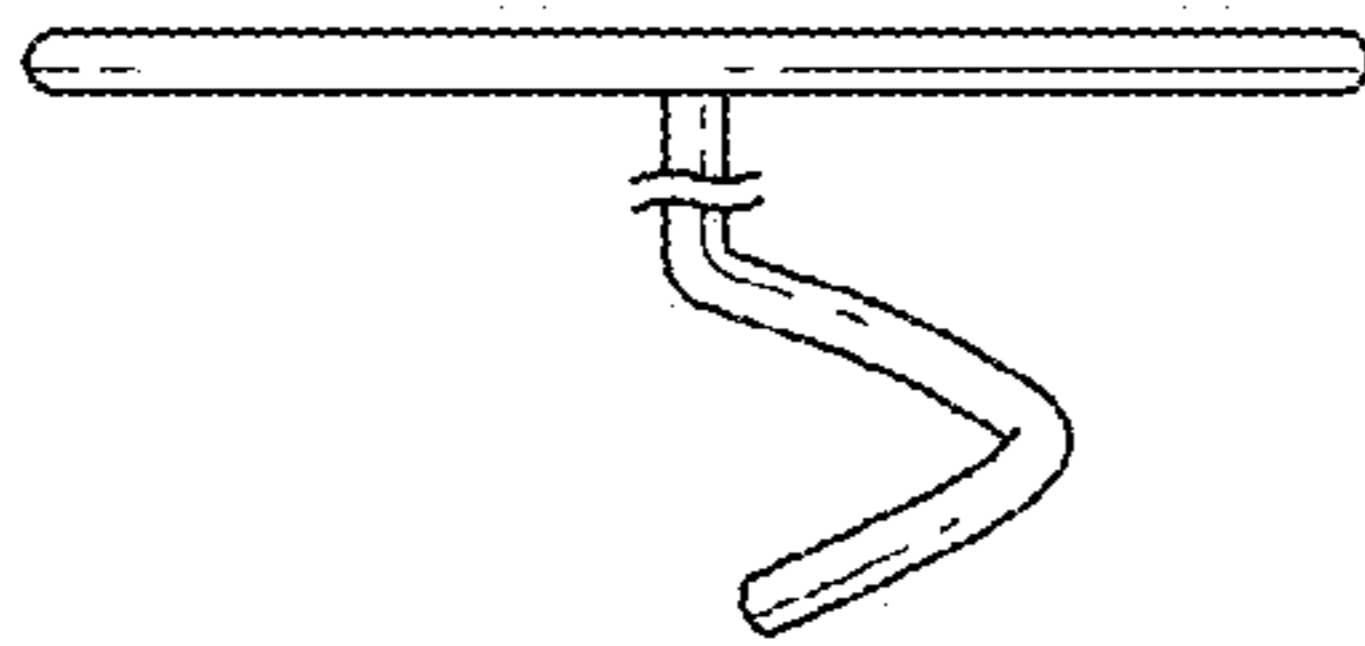


FIG. 5

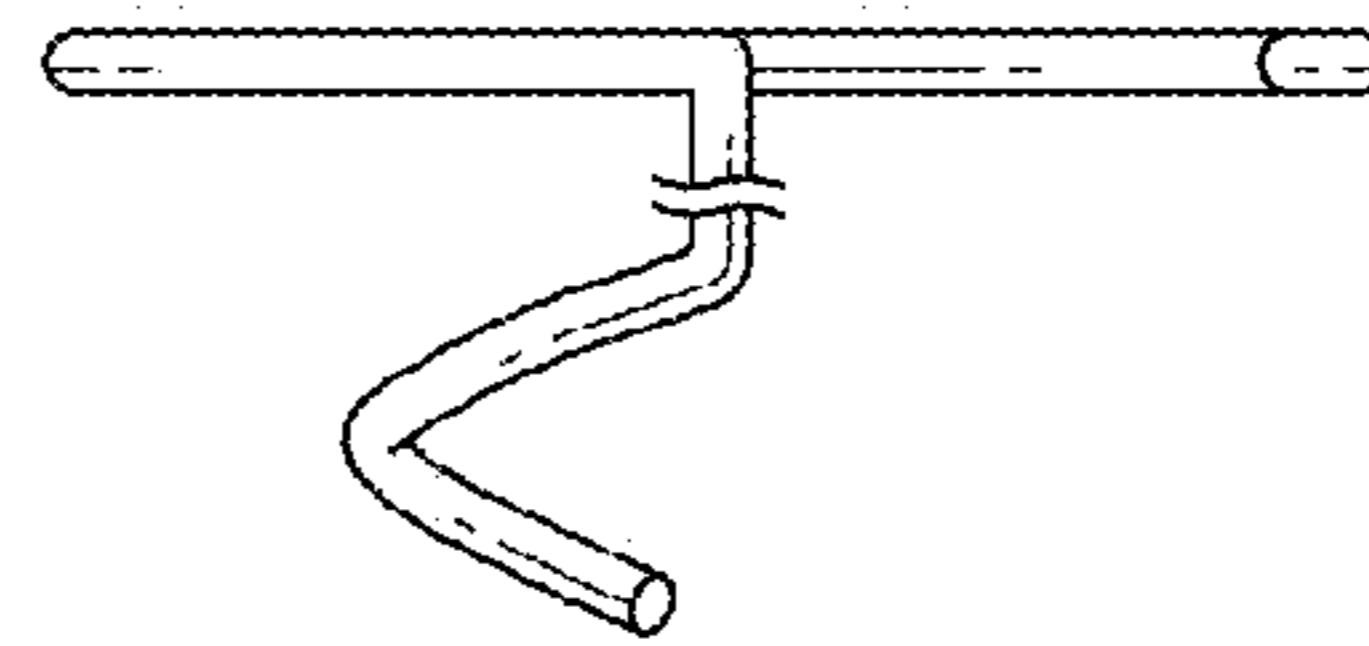


FIG. 6

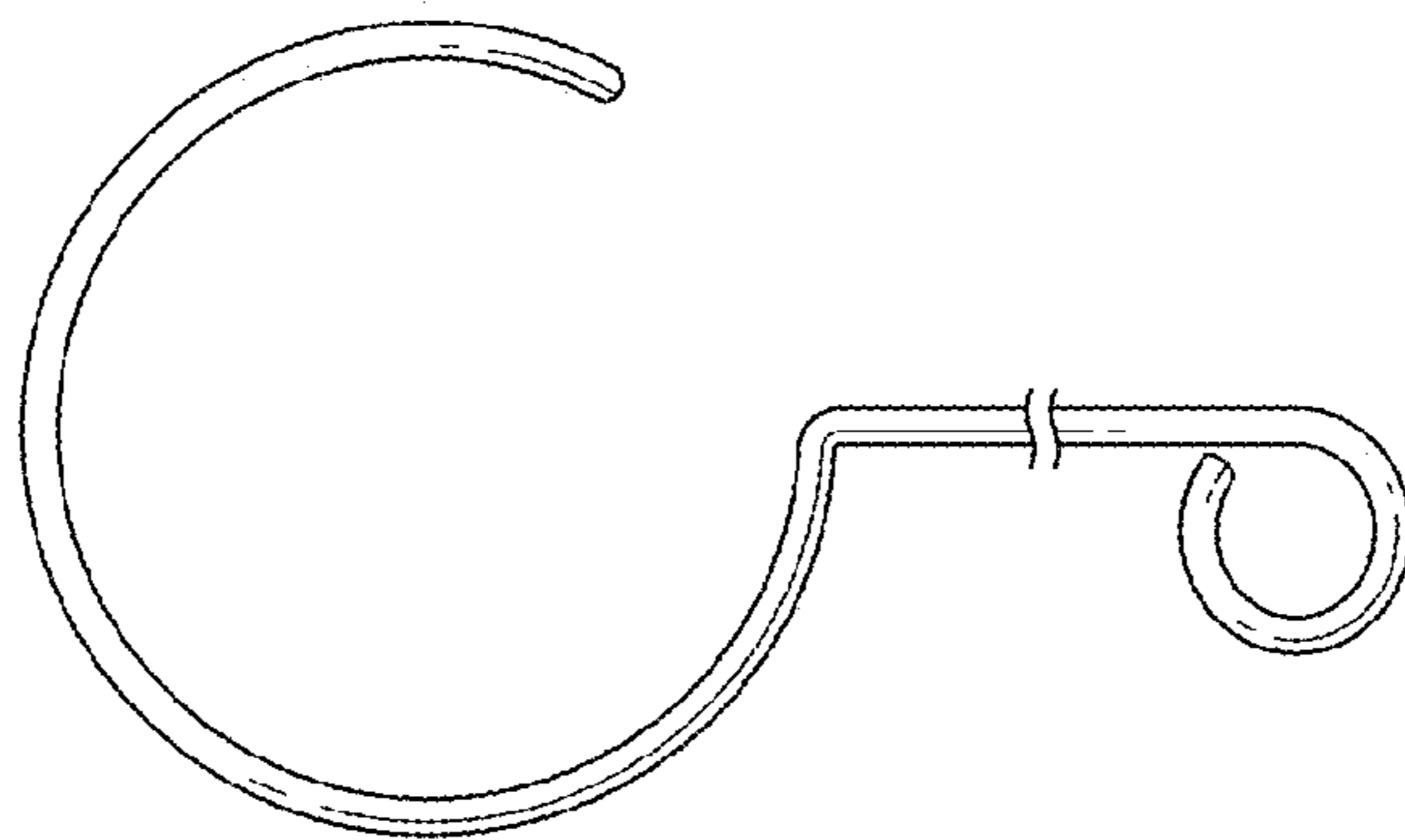


FIG. 7

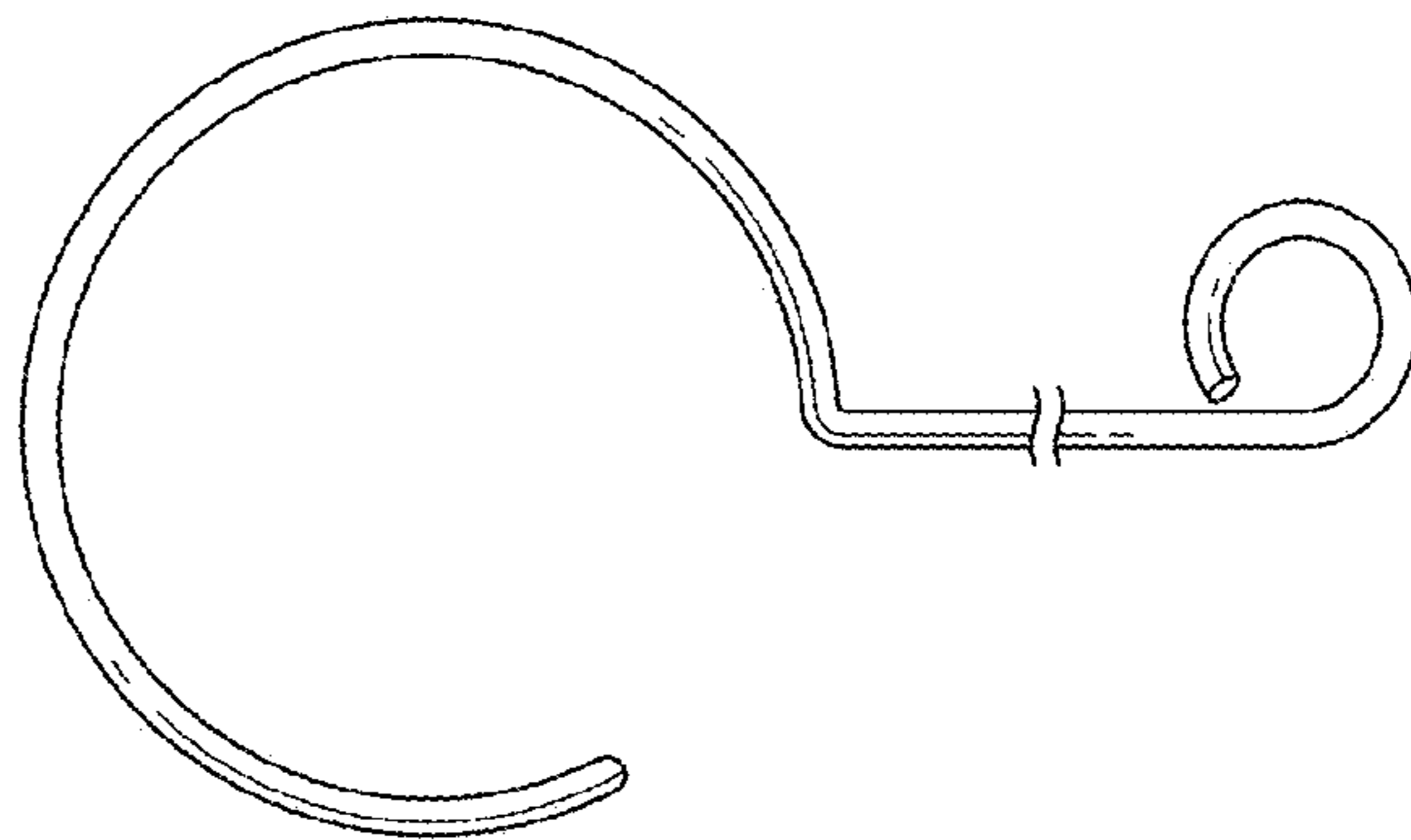


FIG. 8

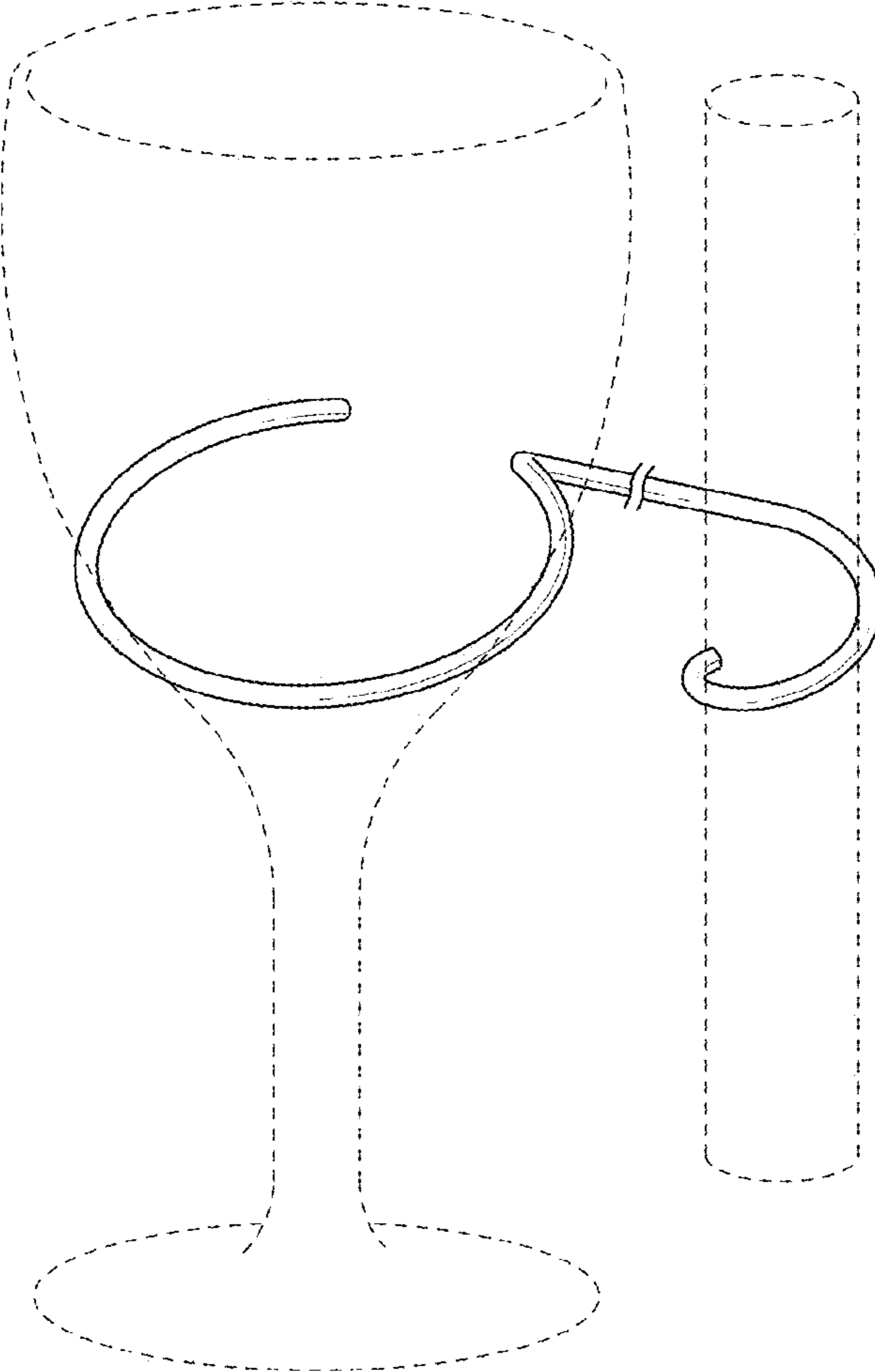


FIG. 9

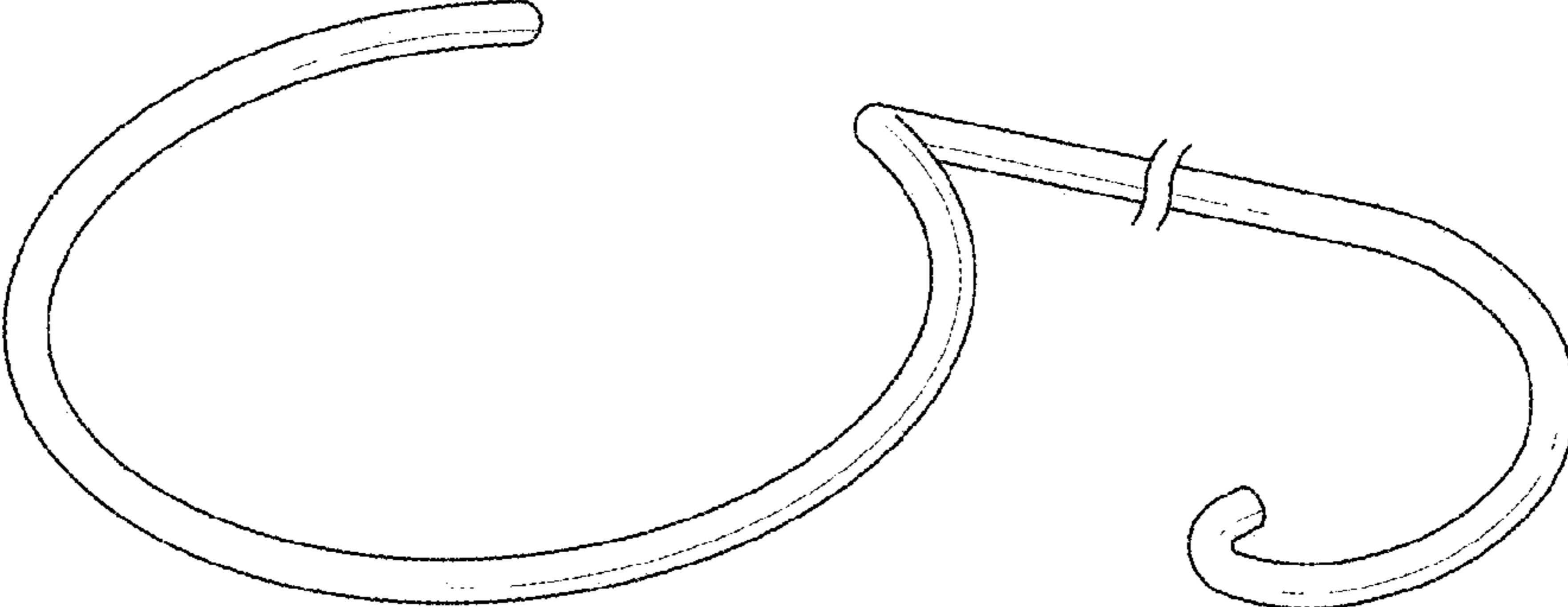


FIG. 10

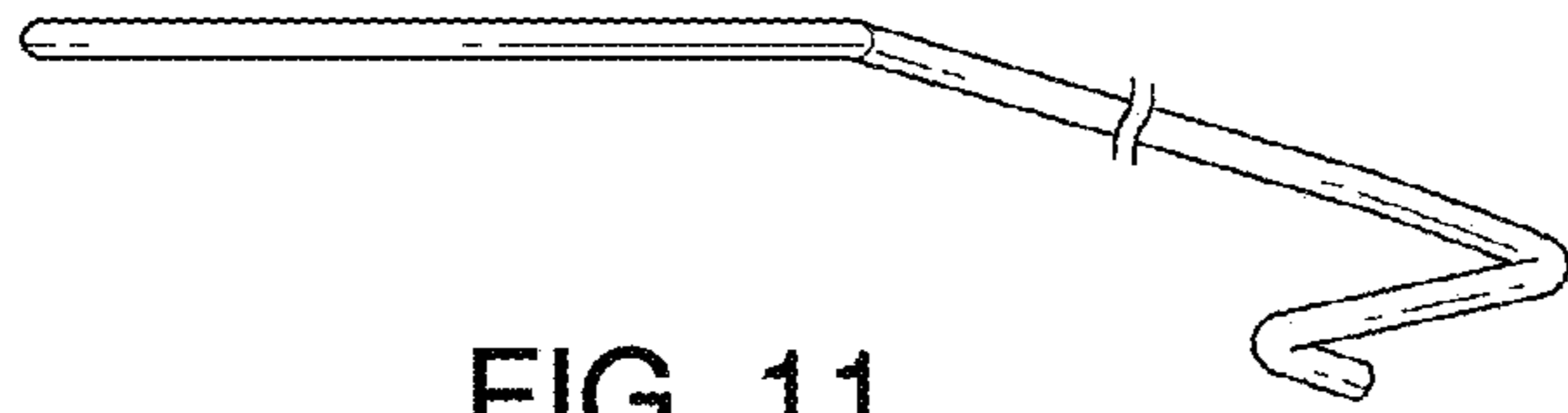


FIG. 11



FIG. 12

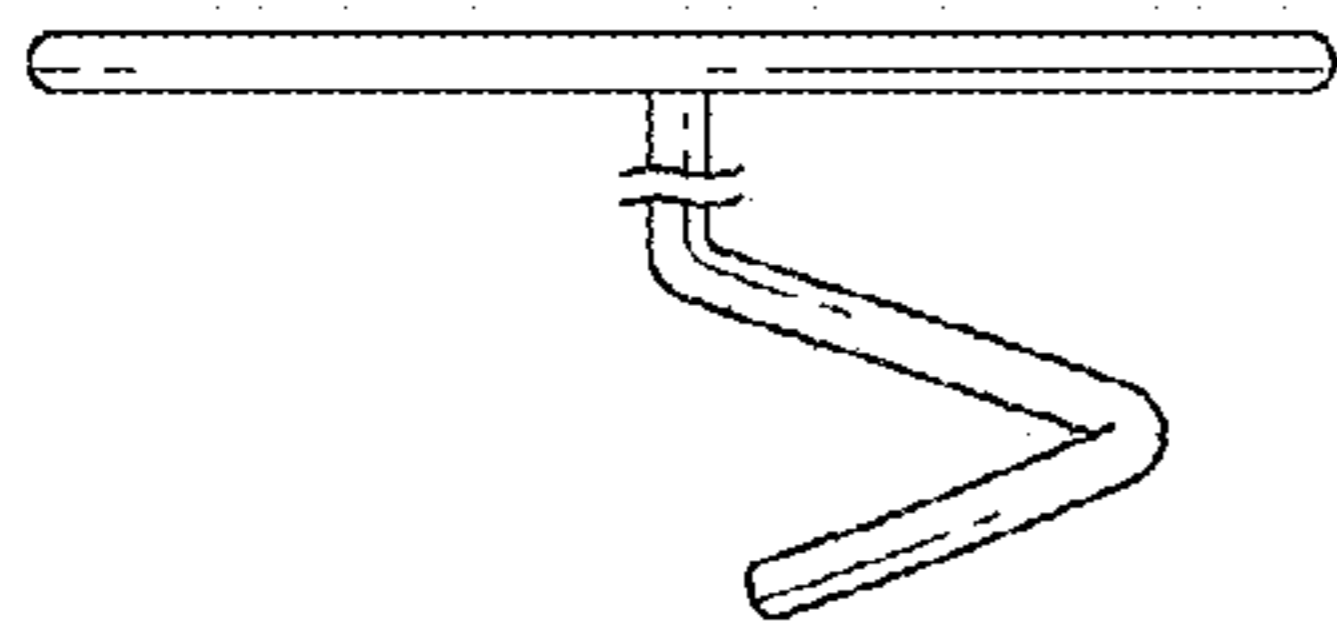


FIG. 13

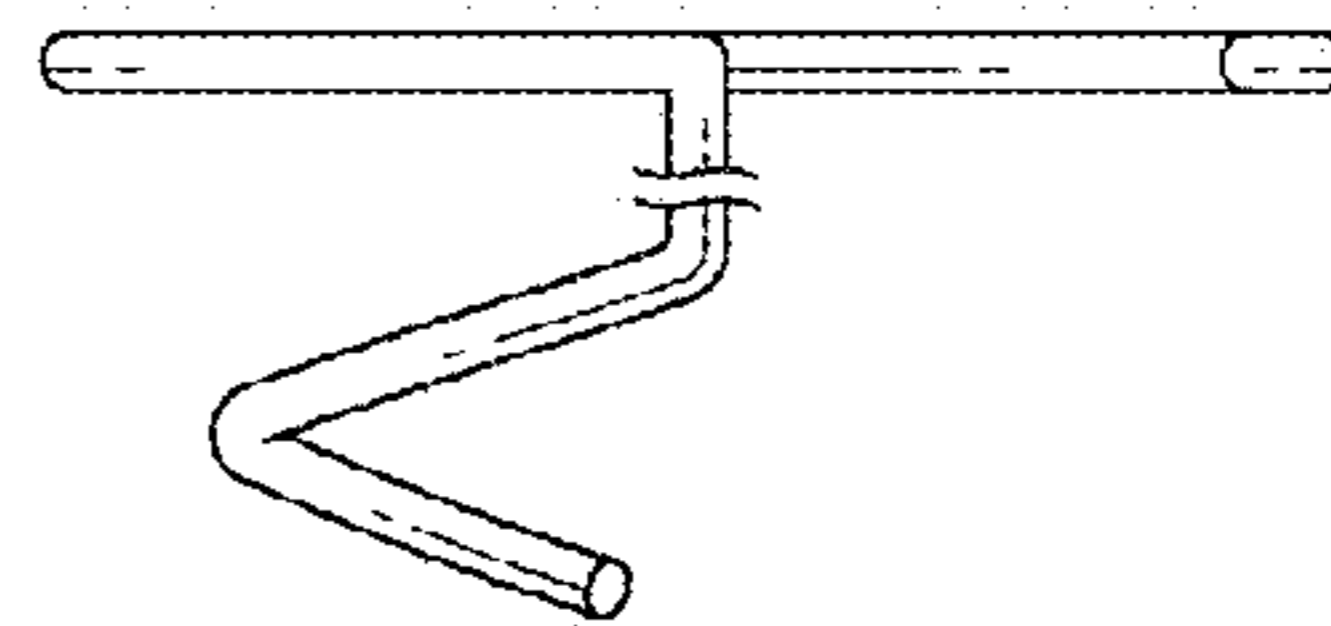


FIG. 14

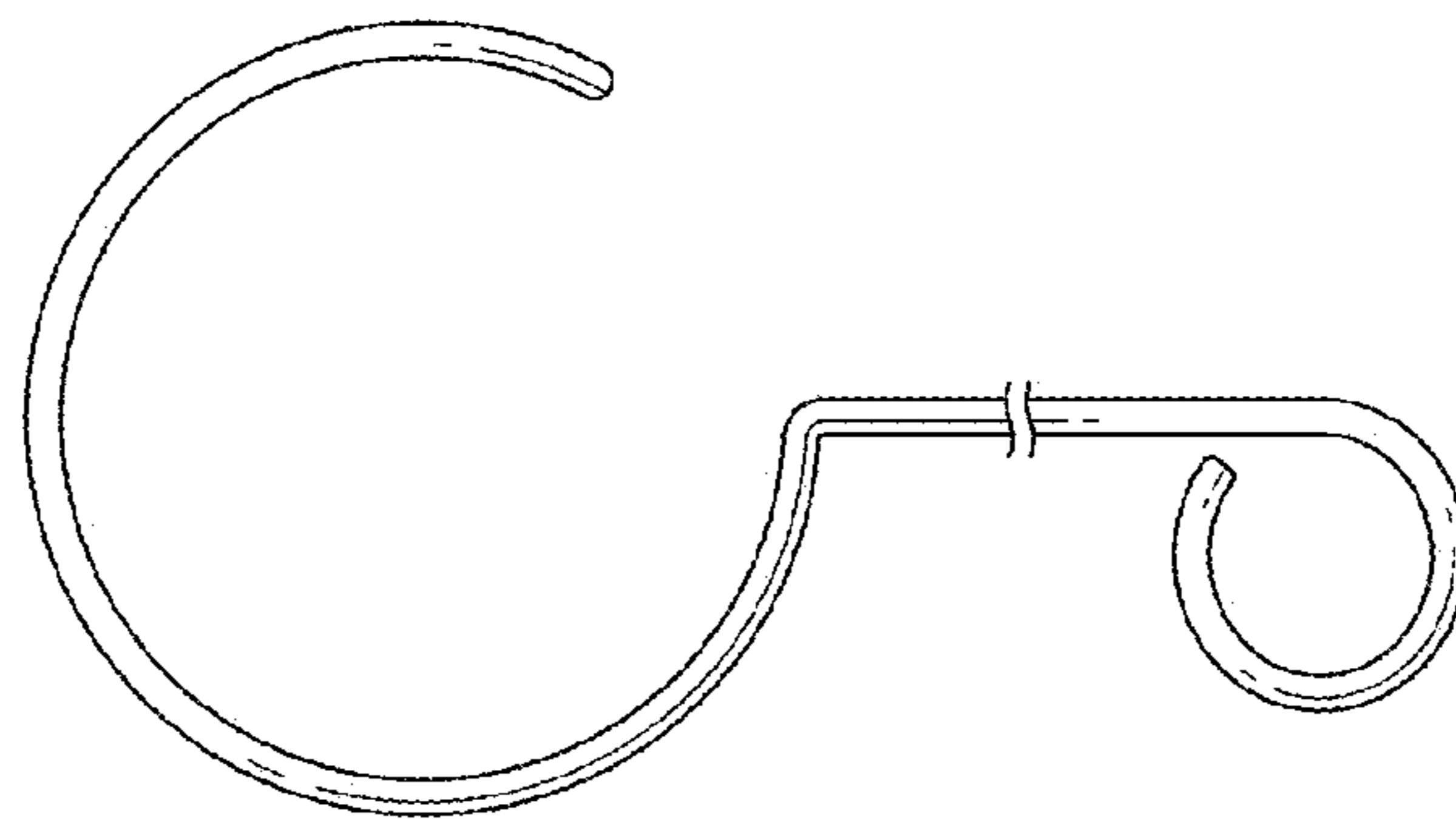


FIG. 15

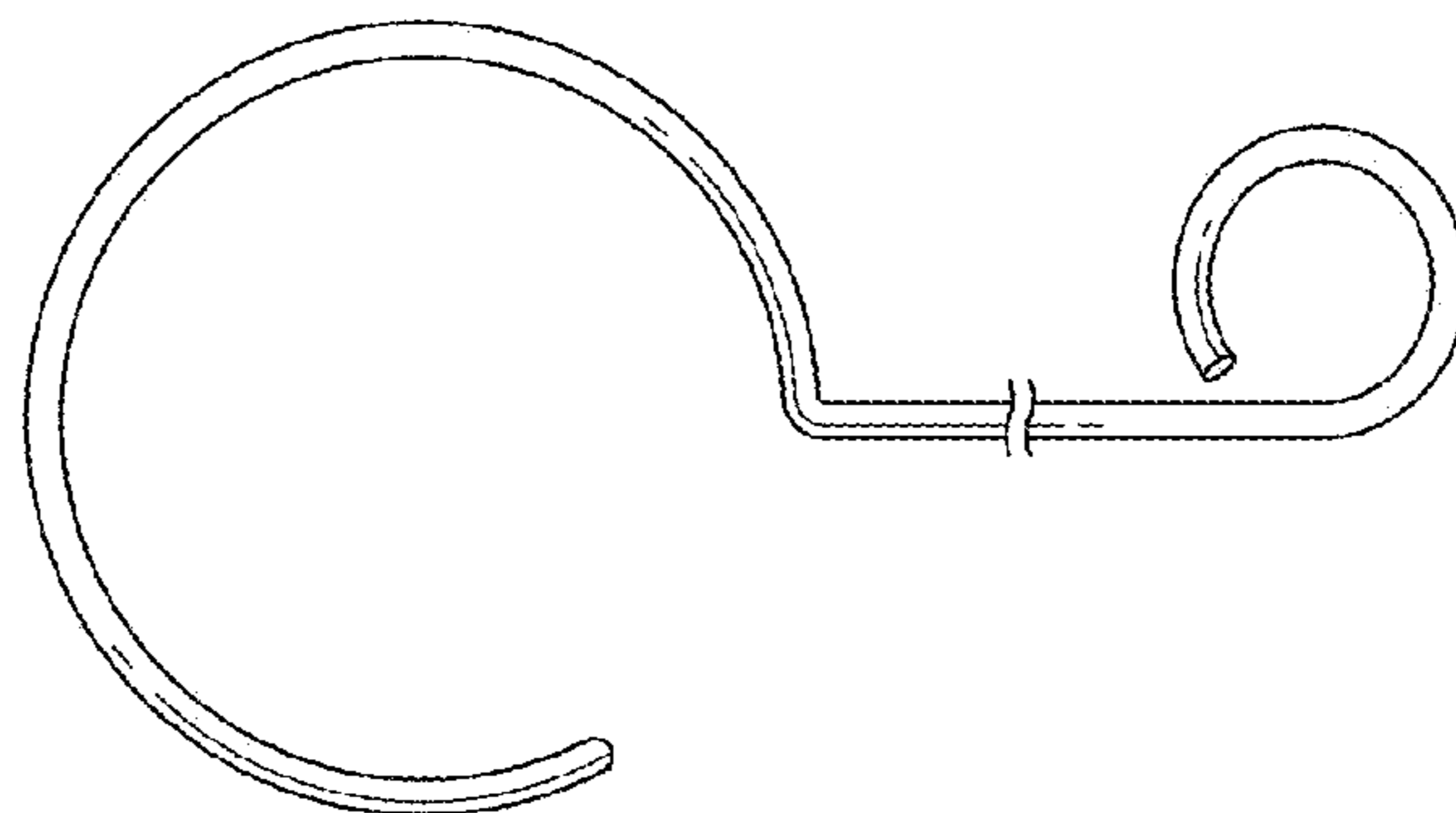


FIG. 16