



US00D750446S

(12) **United States Design Patent**
Tincher et al.

(10) **Patent No.:** **US D750,446 S**
(45) **Date of Patent:** **** Mar. 1, 2016**

(54) **HOLDER FOR USE WITH A HORIZONTAL BEAM**

(71) Applicant: **Swirly Gig Industries**, Minneapolis, MN (US)

(72) Inventors: **Sidney Tincher**, Minneapolis, MN (US);
Heide Constance Gross, Minneapolis, MN (US)

(73) Assignee: **Swirly Gig Industries**, Minneapolis, MN (US)

(**) Term: **14 Years**

(21) Appl. No.: **29/496,598**

(22) Filed: **Jul. 15, 2014**

(51) **LOC (10) Cl.** **07-06**

(52) **U.S. Cl.**
USPC **D7/620**

(58) **Field of Classification Search**

USPC D7/619.1-625; D6/513, 566, 553, 567,
D6/556; 47/67, 68; 248/214, 228.7,
248/231.81, 311.2, 302, 304, 210
CPC B60N 3/103; A01K 97/10; A47H 27/00;
A47G 7/045

See application file for complete search history.

(56) **References Cited**

U.S. PATENT DOCUMENTS

3,332,653 A * 7/1967 Hoelzel E06C 7/146
248/210
4,524,542 A * 6/1985 Elliott A47G 7/045
47/67

D337,226 S * 7/1993 Rosenbaum D6/513
D338,122 S * 8/1993 Emalfarb D6/513
D352,674 S * 11/1994 Richards D11/148
5,711,502 A * 1/1998 Emalfarb A47H 27/00
248/302
D554,927 S * 11/2007 Smith D6/513
D555,461 S 11/2007 Tincher
7,690,612 B1 * 4/2010 Branson A47H 27/00
248/302
D632,908 S 2/2011 Tincher
8,430,366 B2 4/2013 Tincher
2002/0000504 A1* 1/2002 Bayne F21S 4/001
248/302

* cited by examiner

Primary Examiner — Terry Wallace

(74) *Attorney, Agent, or Firm* — Fredrikson & Byron P.A.

(57) **CLAIM**

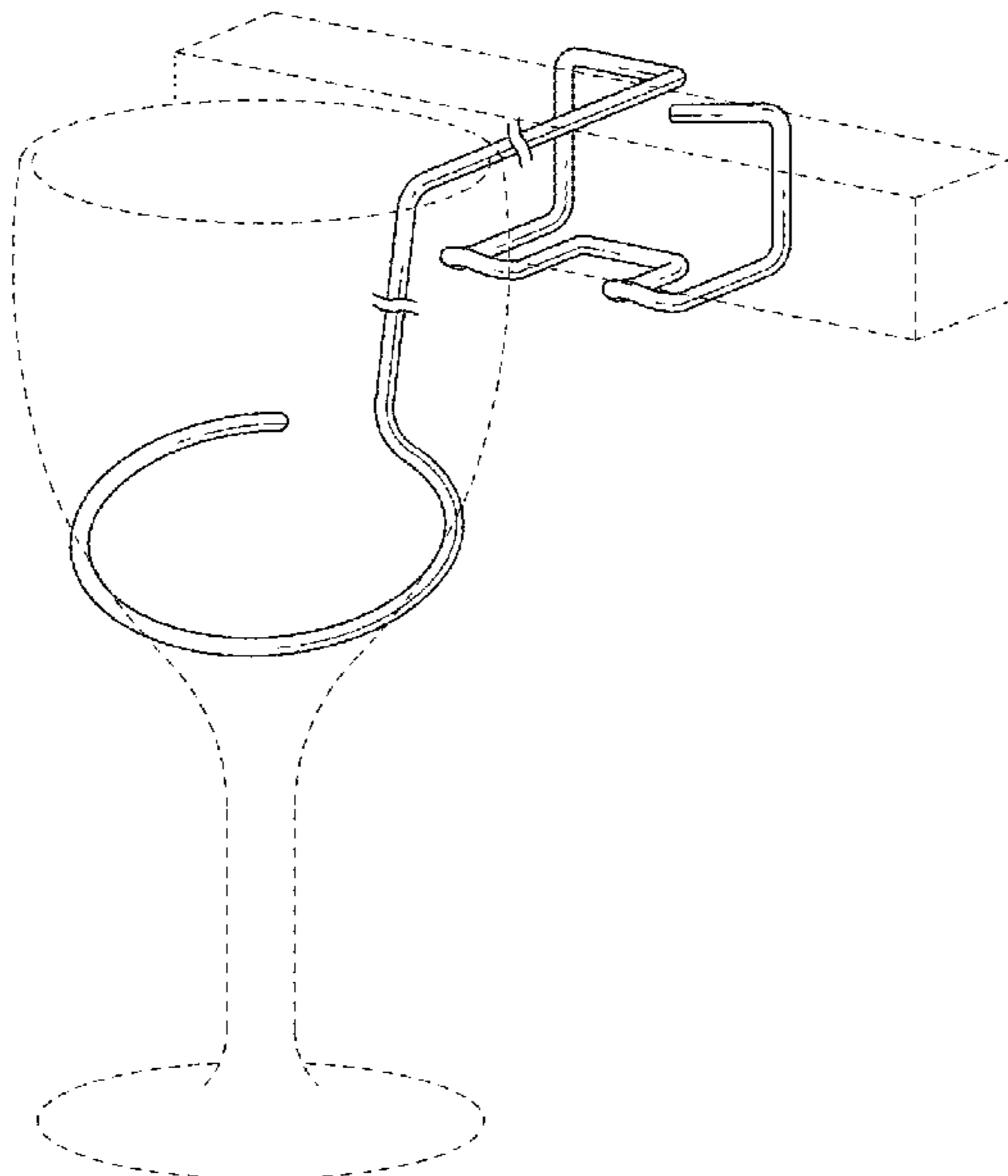
We claim the ornamental design for a holder for use with a horizontal beam, as shown and described.

DESCRIPTION

FIG. 1 a perspective view of the holder for use with a horizontal beam of our new design according to a first embodiment, shown in its ordinary environment holding a glass; FIG. 2 is a perspective view thereof; FIG. 3 is a left side view thereof; FIG. 4 is a right side view thereof; FIG. 5 is a front elevation view thereof; FIG. 6 is a rear elevation view thereof; FIG. 7 is a top plan view thereof; and, FIG. 8 is a bottom plan view thereof.

The broken lines are for the purpose of illustrating environmental structure and form no part of the claimed design.

1 Claim, 2 Drawing Sheets



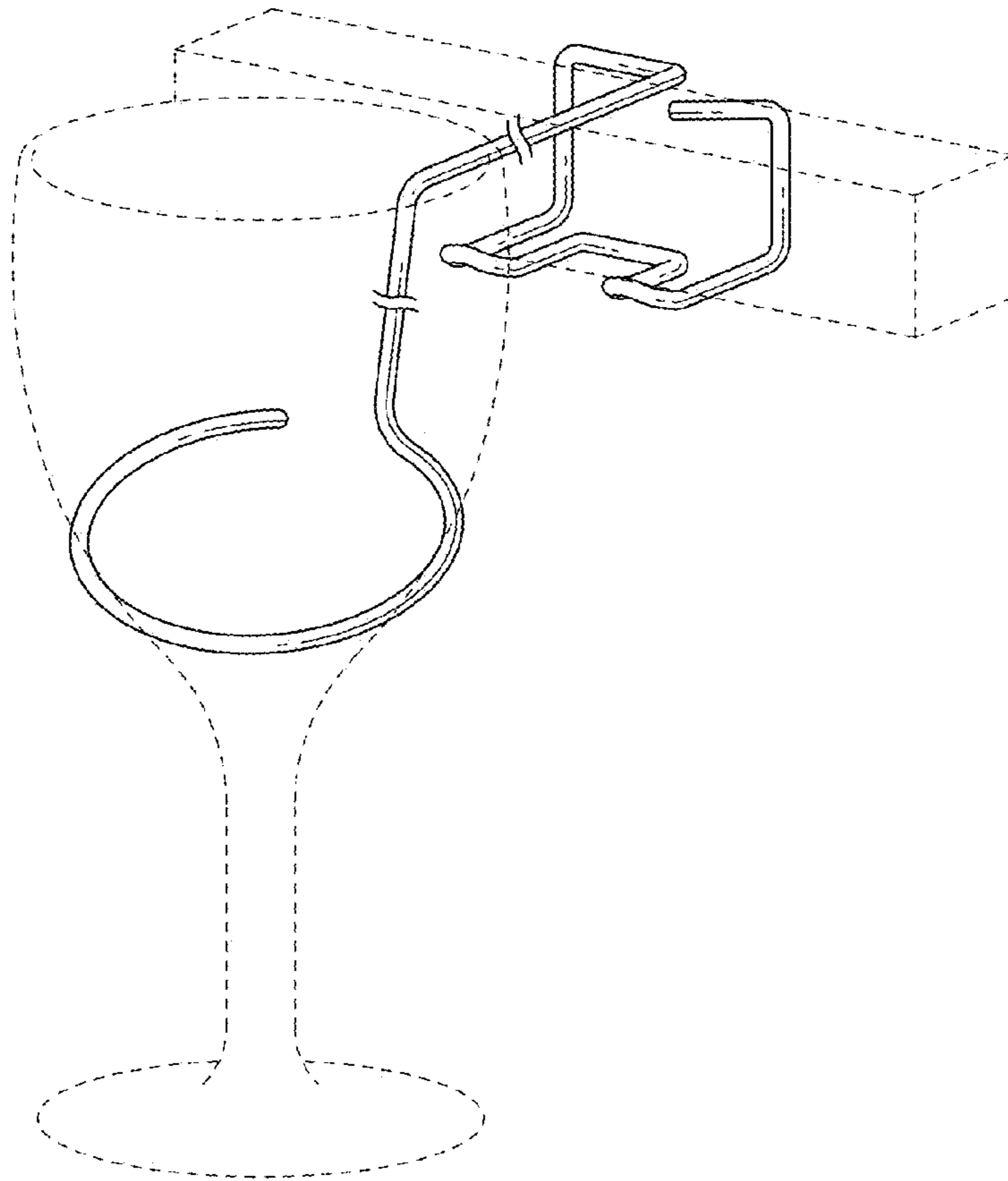


FIG. 1

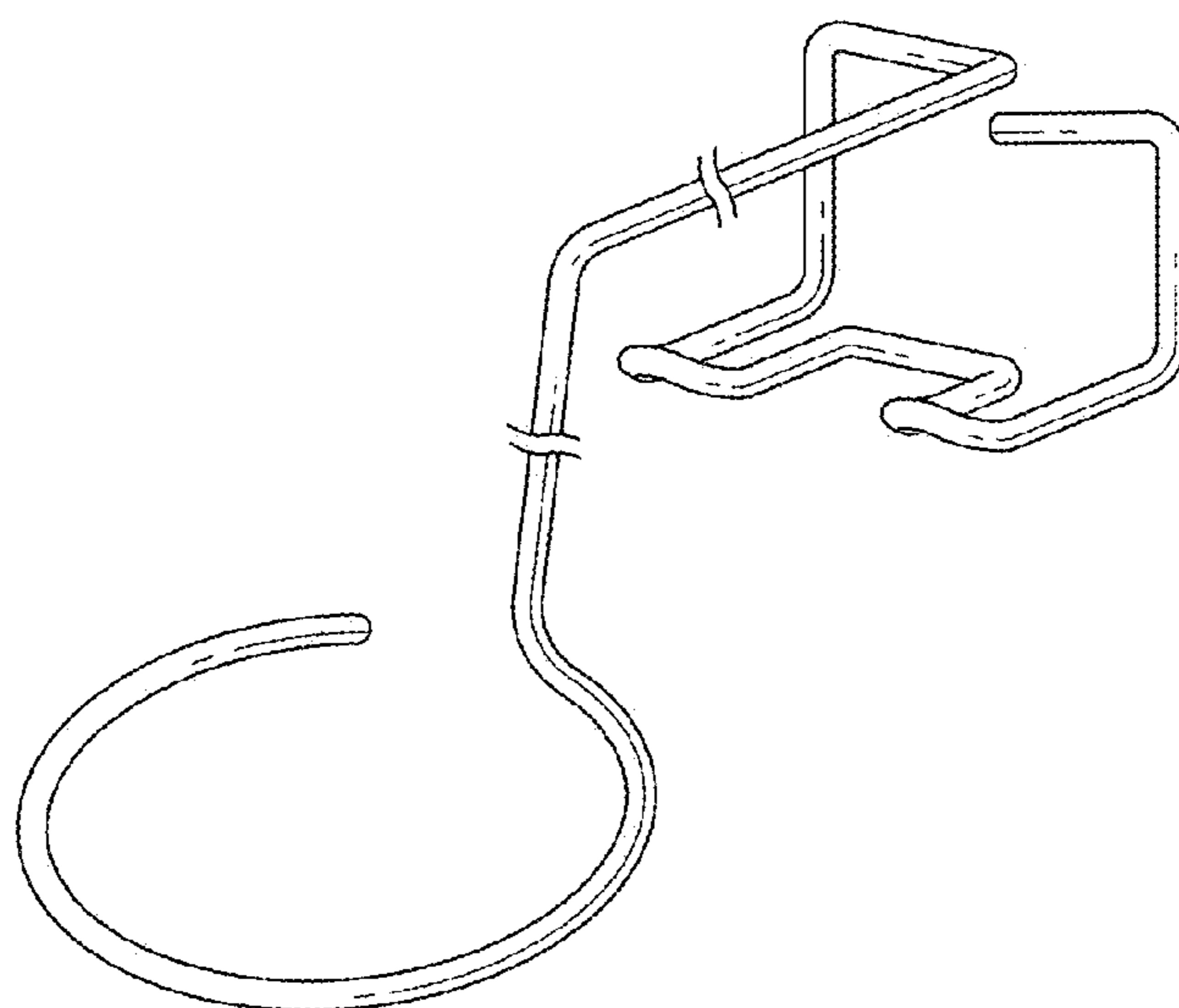


FIG. 2

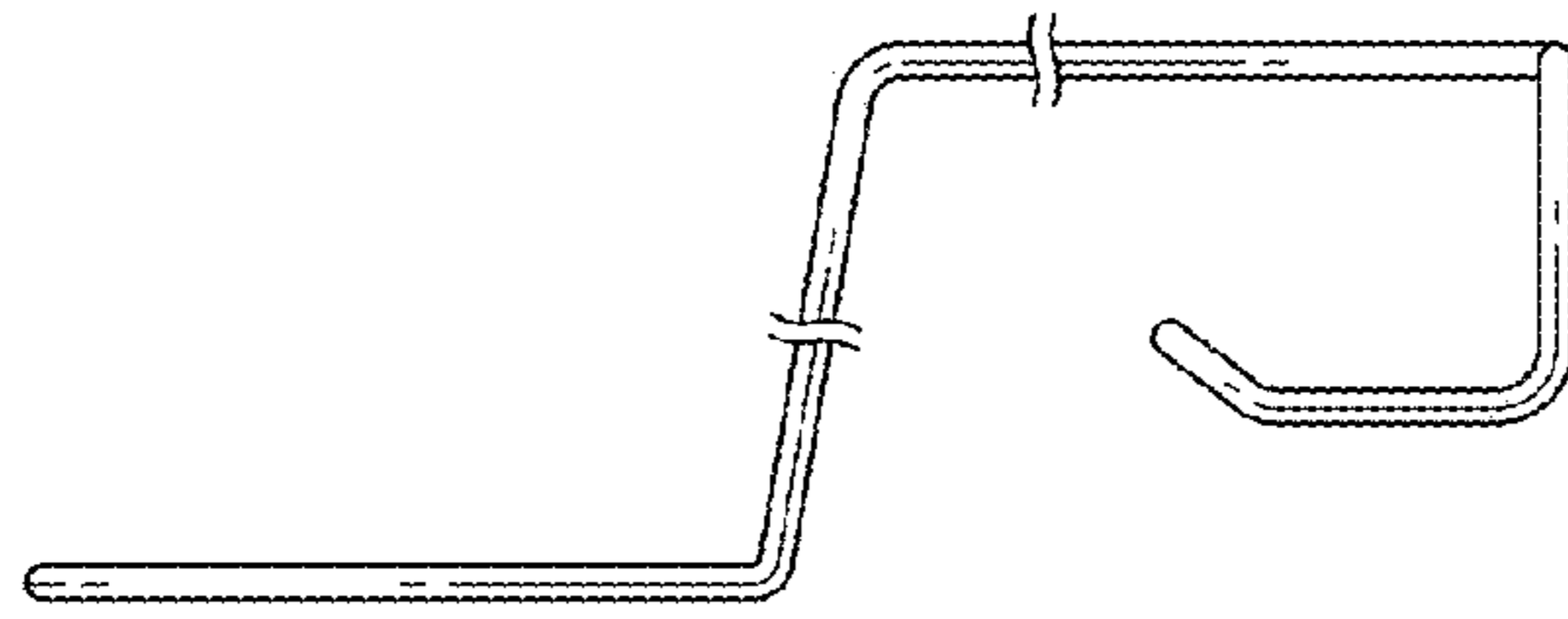


FIG. 3

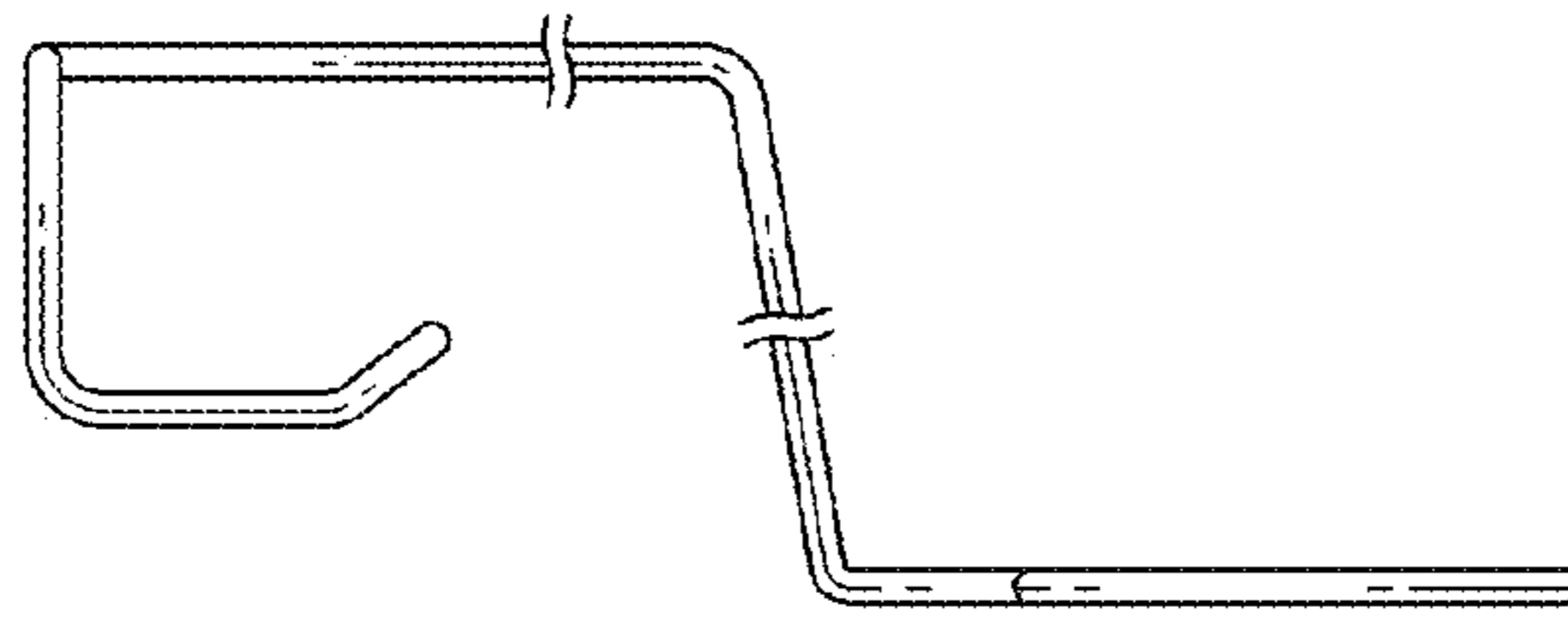


FIG. 4

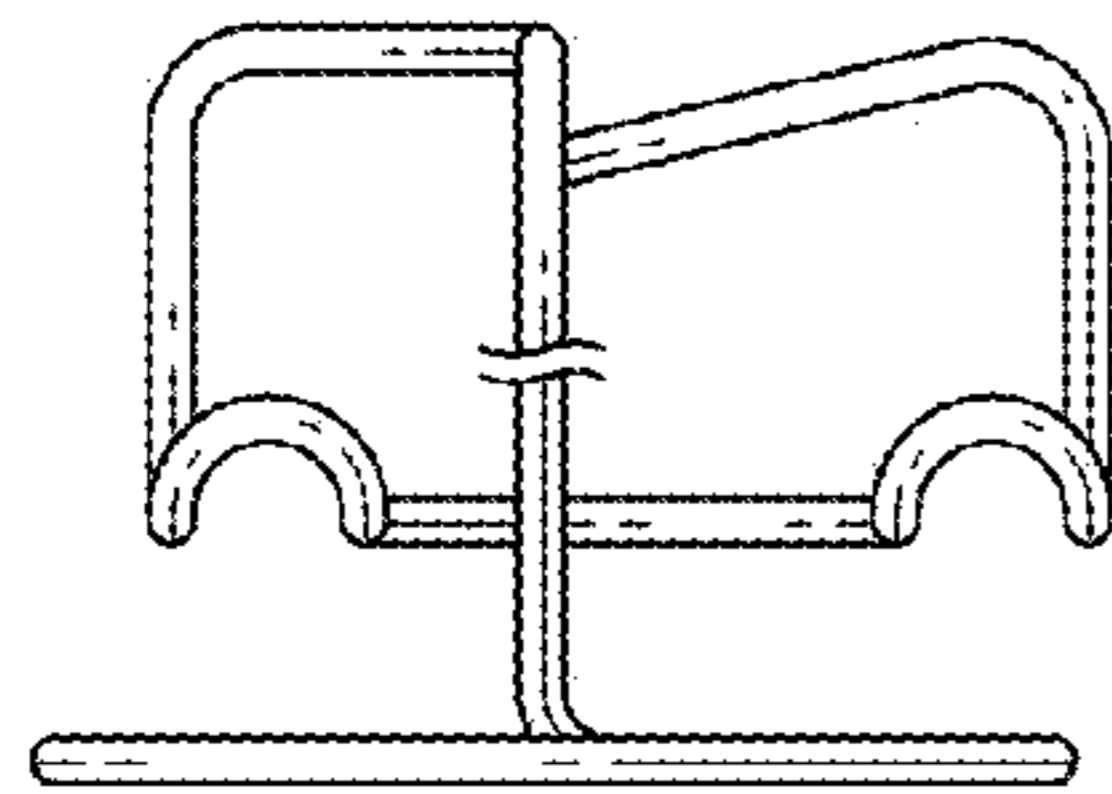


FIG. 5

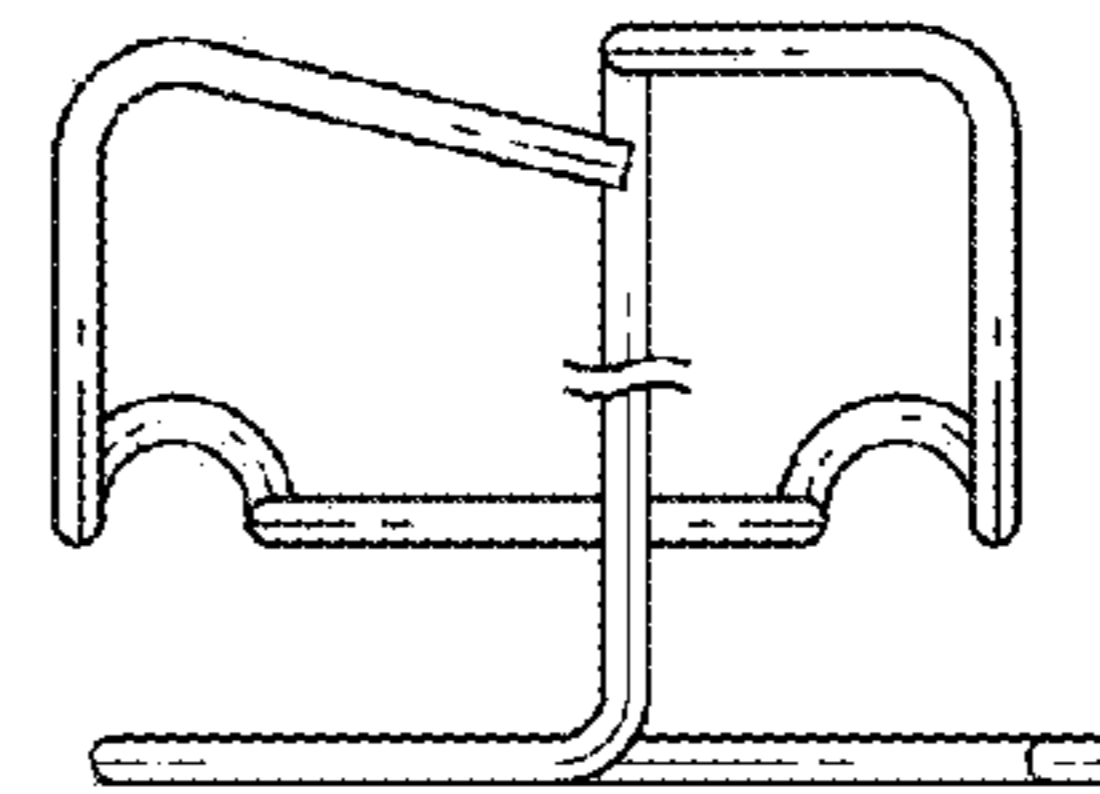


FIG. 6

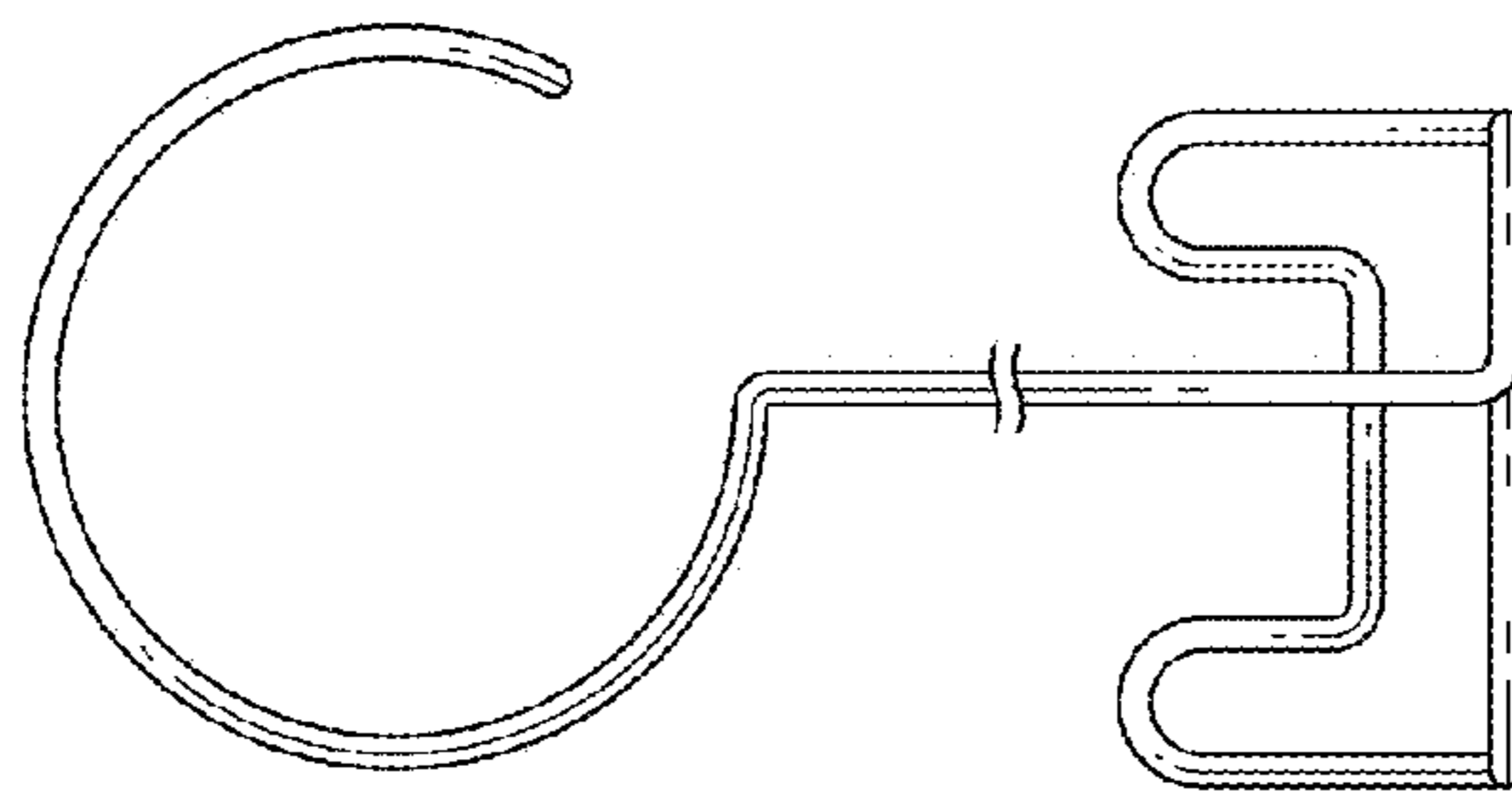


FIG. 7

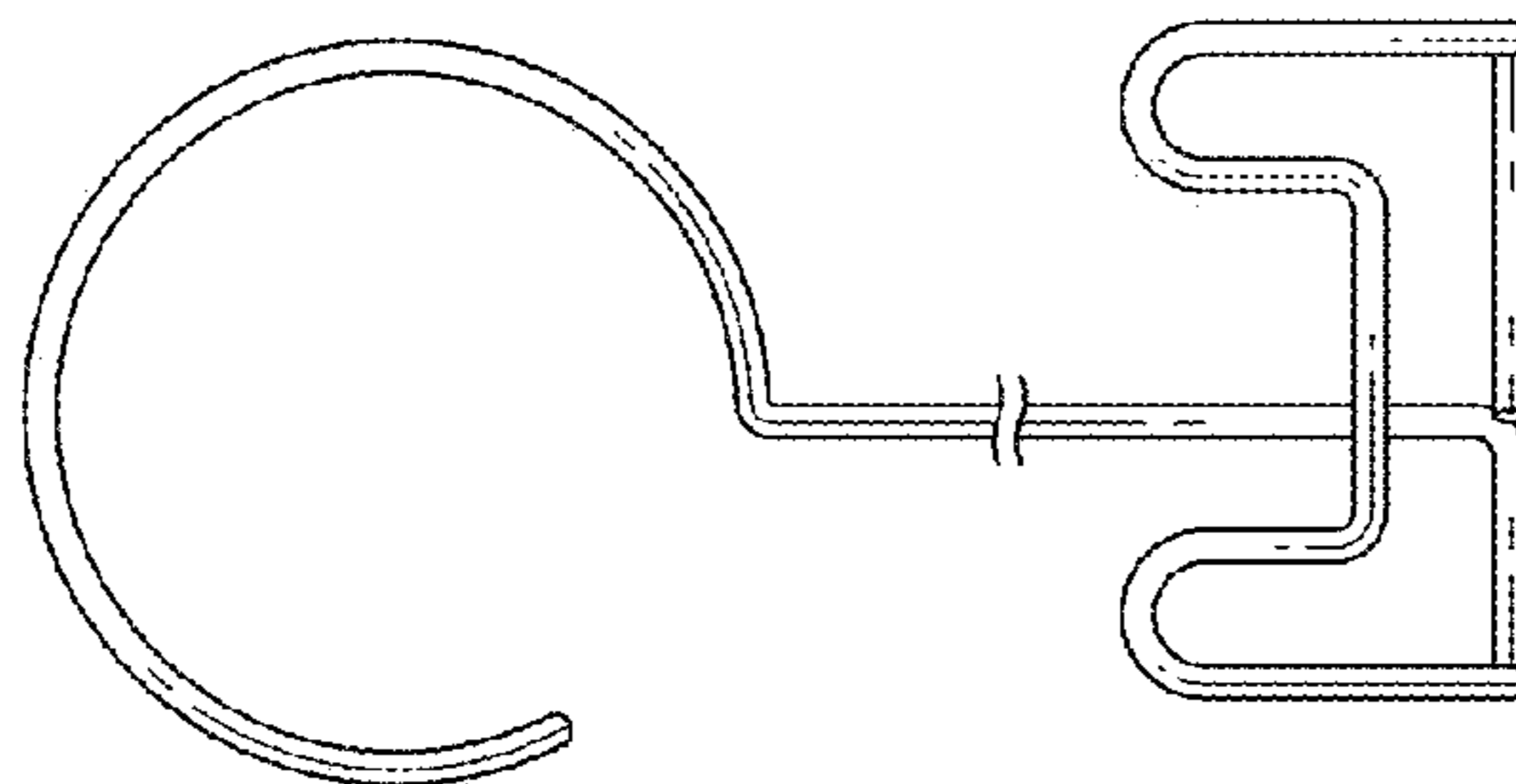


FIG. 8