



US00D750445S

(12) **United States Design Patent**
Smith et al.

(10) **Patent No.:** **US D750,445 S**
(45) **Date of Patent:** **** Mar. 1, 2016**

- (54) **BEVERAGE HOLDER**
- (71) Applicants: **Rogene Smith**, Omaha, NE (US); **Suzi Dyer**, Omaha, NE (US); **Alan Dyer**, Omaha, NE (US)
- (72) Inventors: **Rogene Smith**, Omaha, NE (US); **Suzi Dyer**, Omaha, NE (US); **Alan Dyer**, Omaha, NE (US)
- (**) Term: **14 Years**
- (21) Appl. No.: **29/522,768**
- (22) Filed: **Apr. 2, 2015**
- (51) **LOC (10) Cl.** **07-06**
- (52) **U.S. Cl.**
USPC **D7/619.1**
- (58) **Field of Classification Search**
USPC D7/319.1, 320, 392.1, 396.2, 708.1;
D9/434, 435, 455, 456, 499
CPC A47G 29/093; A47G 23/0225
See application file for complete search history.

D363,646 S *	10/1995	Wong	D7/506
D449,206 S *	10/2001	DuBow	D7/708.1
D560,981 S *	2/2008	Tsui	D7/708.1
D600,077 S *	9/2009	Barnes, Jr.	D7/620
D612,691 S *	3/2010	Barnes, Jr.	D7/620
7,793,905 B2 *	9/2010	Merritt	A47G 23/0225 248/311.2

* cited by examiner

Primary Examiner — Robert M Spear

(74) *Attorney, Agent, or Firm* — Ryan T. Grace; Advent, LLP

(57) **CLAIM**

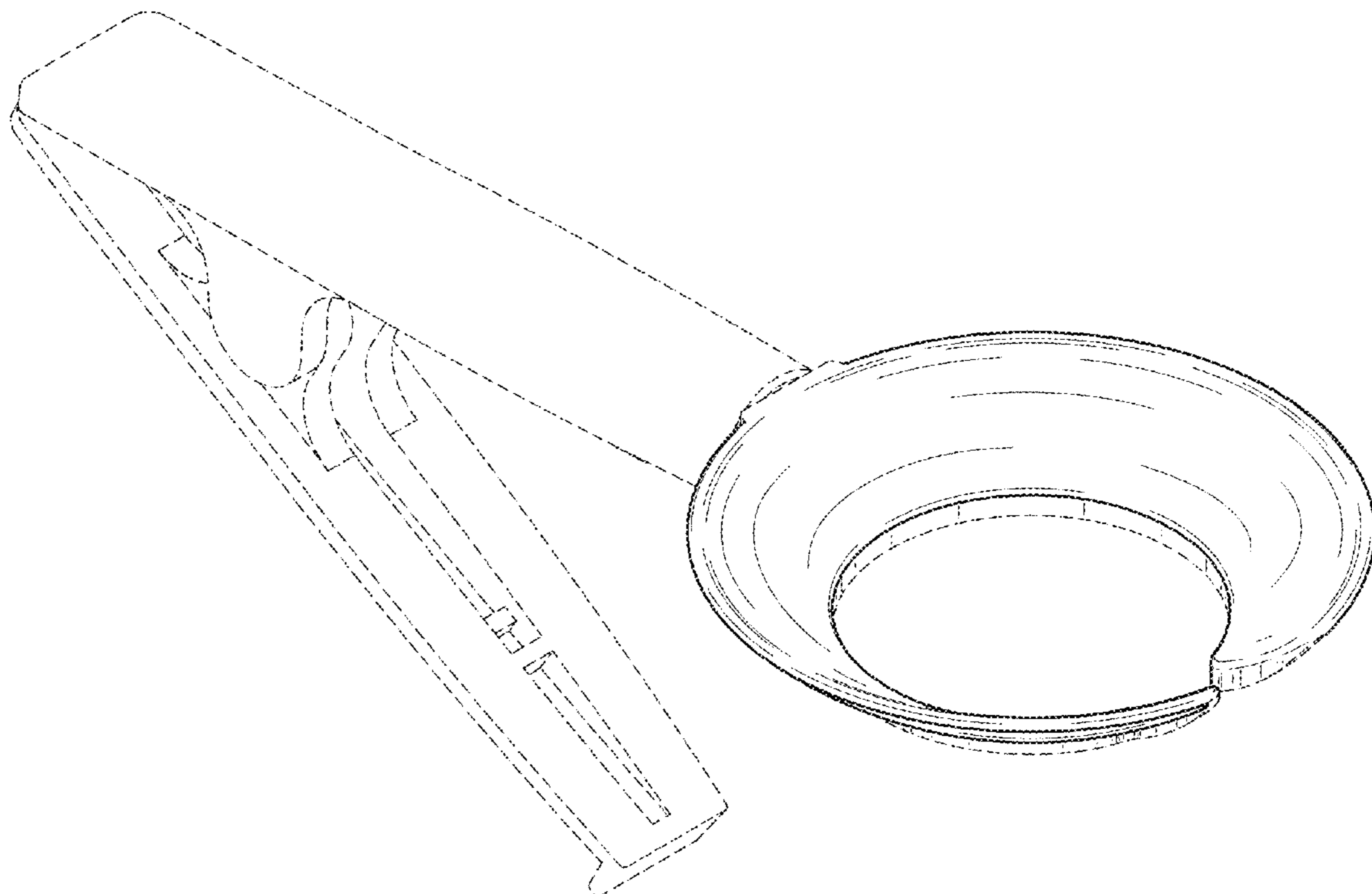
The ornamental design for a beverage holder, as shown and described.

DESCRIPTION

FIG. 1 is a top view of a beverage holder.
 FIG. 2 is a bottom view of the beverage holder of FIG. 1.
 FIG. 3 is an end view of the beverage holder of FIG. 1.
 FIG. 4 is another end view of the beverage holder of FIG. 1.
 FIG. 5 is a side view of the beverage holder of FIG. 1.
 FIG. 6 is another side view of the beverage holder of FIG. 1.
 FIG. 7 is a perspective view of the beverage holder of FIG. 1; and,
 FIG. 8 is another perspective view of the beverage holder of FIG. 1.
 Portions of the beverage holder shown in dashed lines form no part of the claimed design.

1 Claim, 8 Drawing Sheets

- (56) **References Cited**
U.S. PATENT DOCUMENTS
4,696,447 A * 9/1987 Strecker A45G 20/12
248/206.3
4,961,555 A * 10/1990 Egan, Jr. A47G 23/0225
211/41.2
D322,194 S * 12/1991 Egan, Jr. D7/708.1



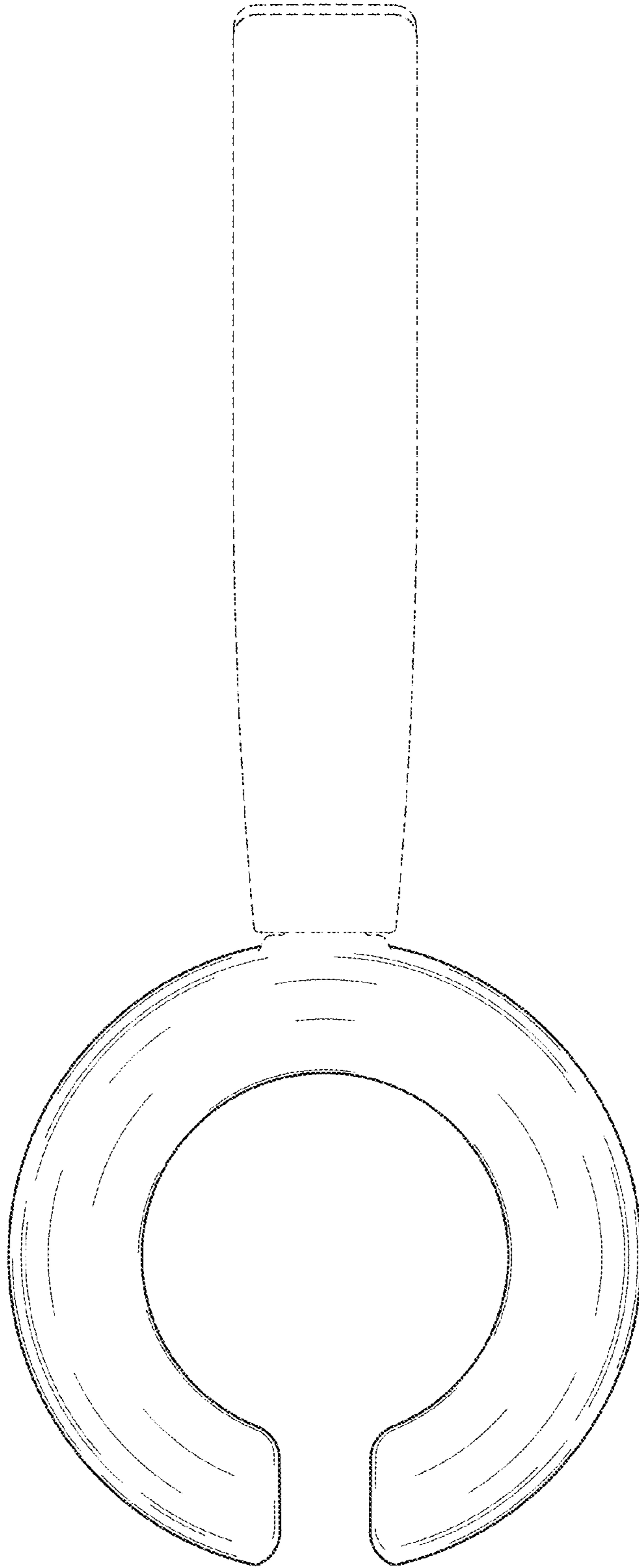


FIG. 1

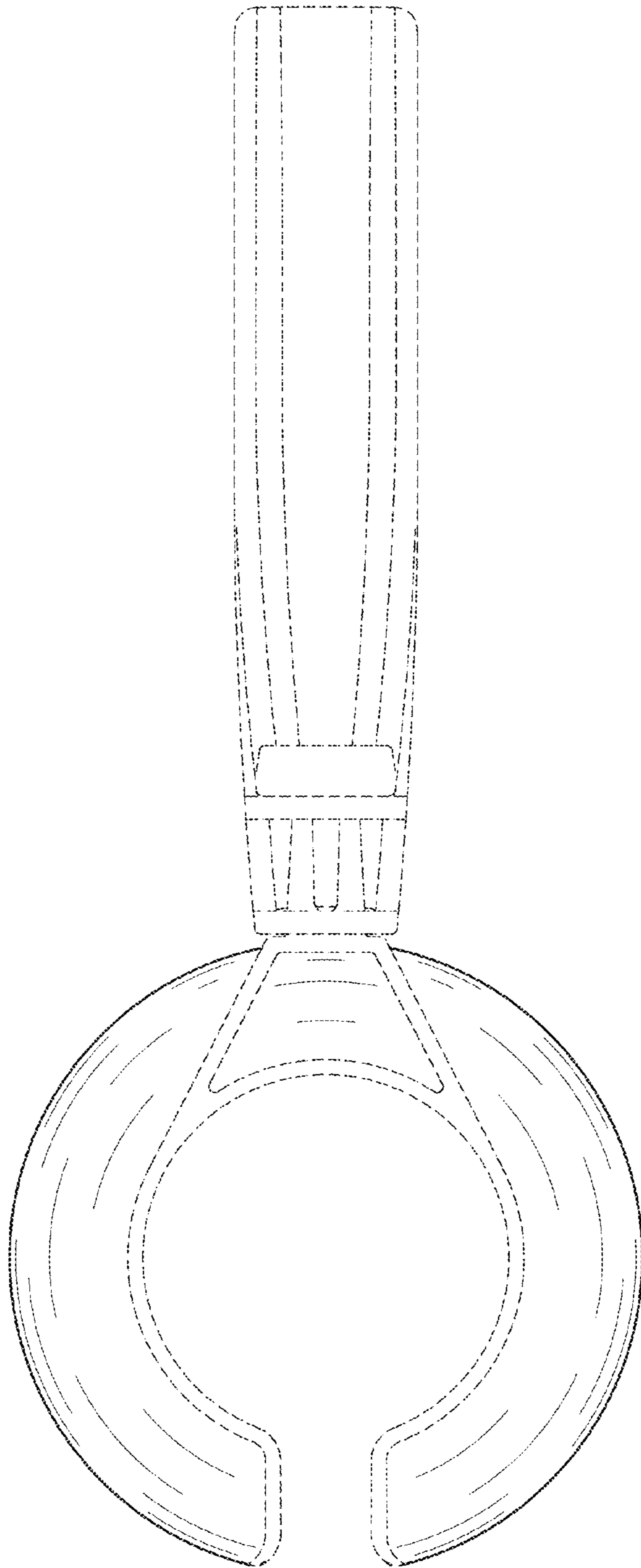


FIG. 2

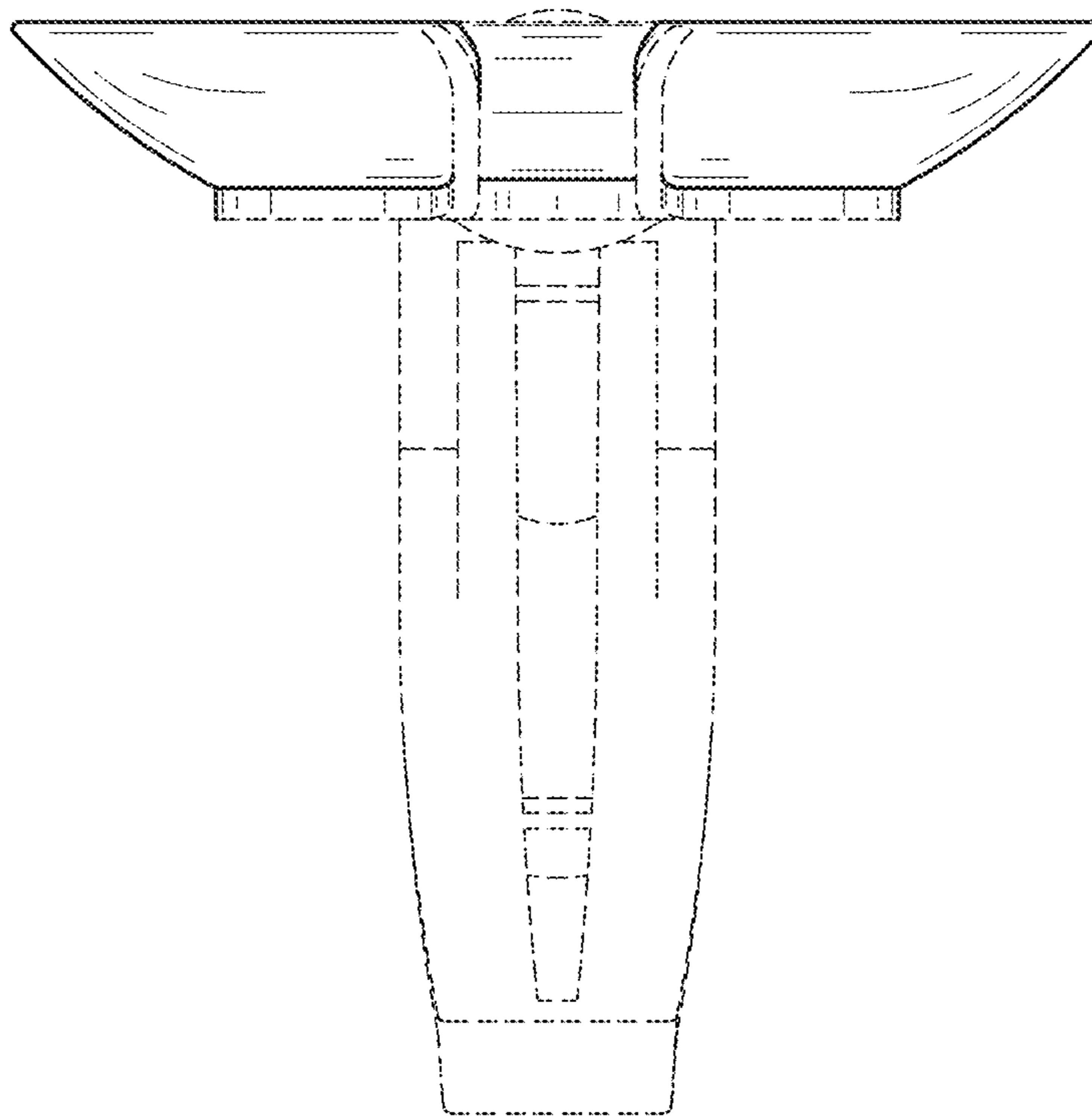


FIG. 3

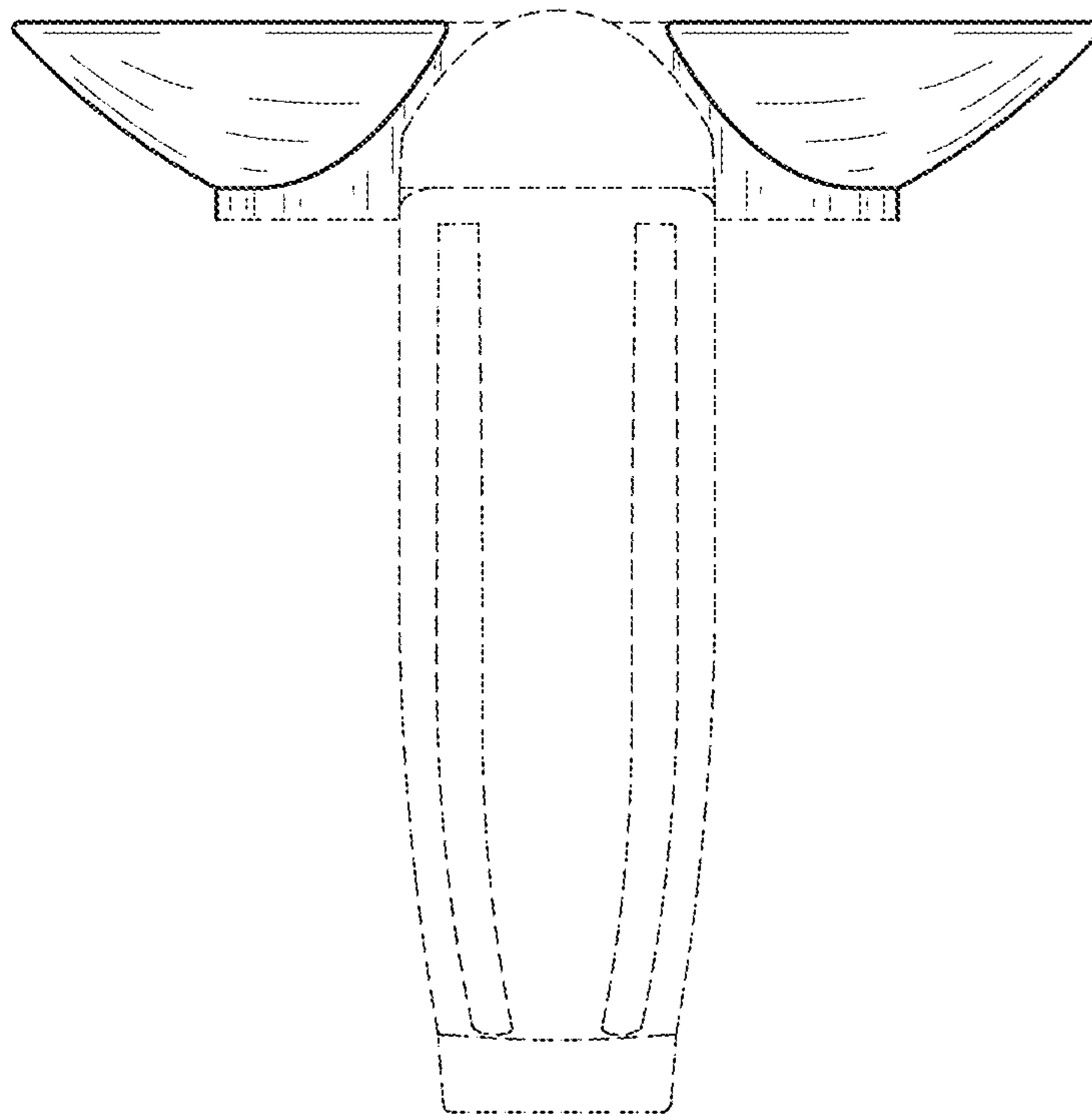


FIG. 4

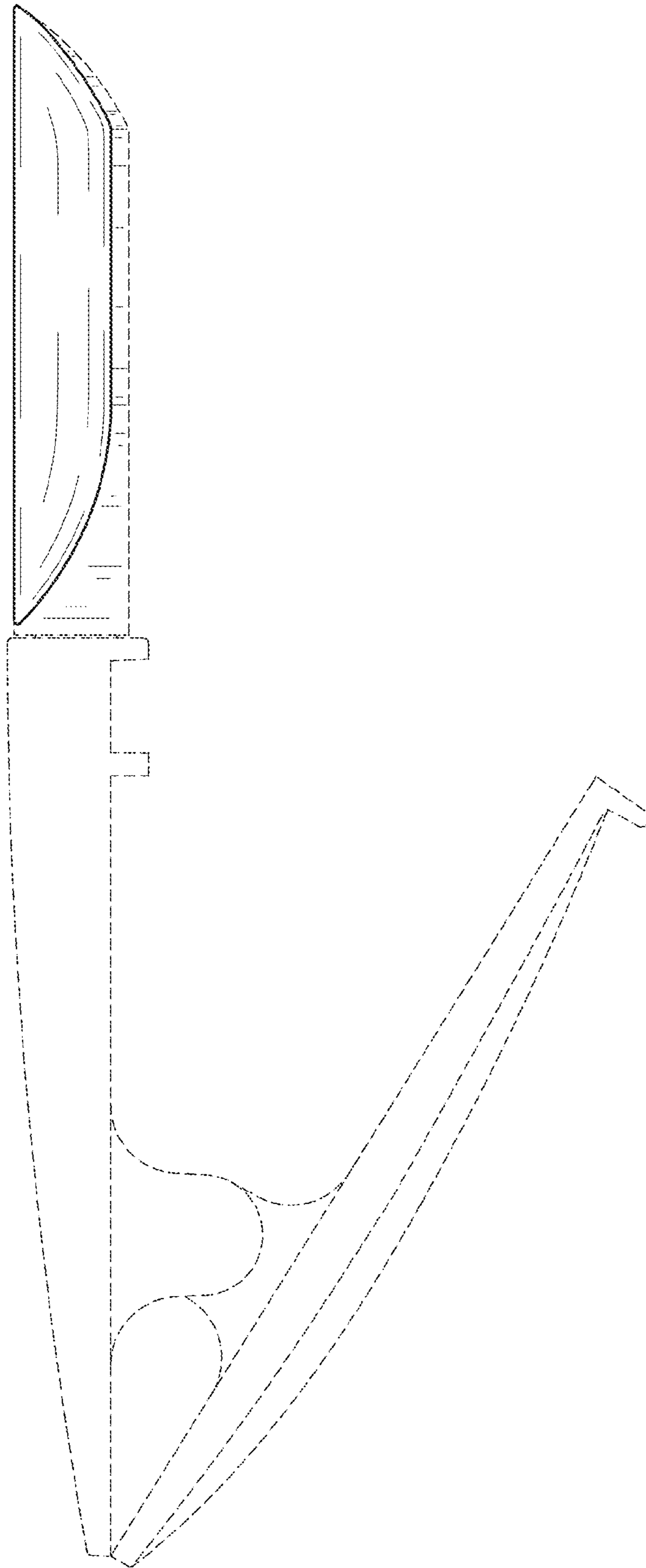


FIG. 5

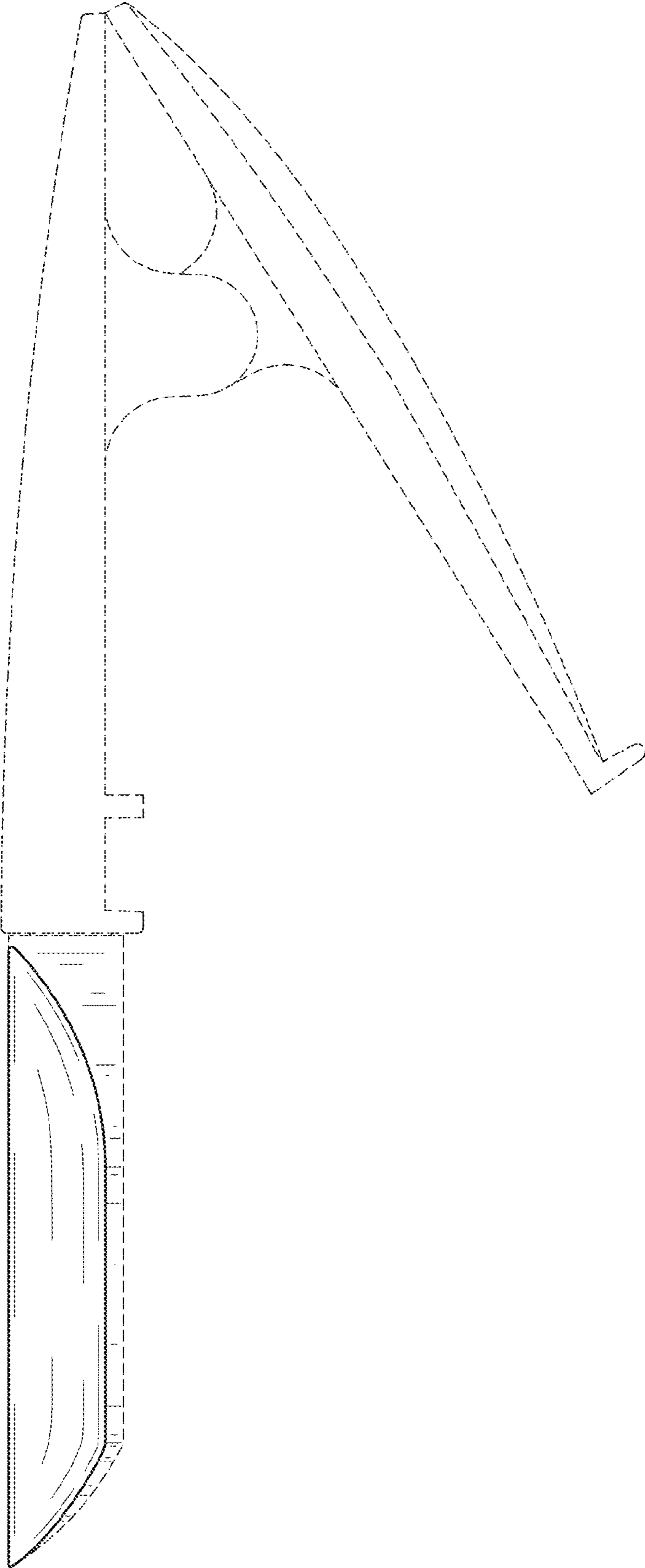


FIG. 6

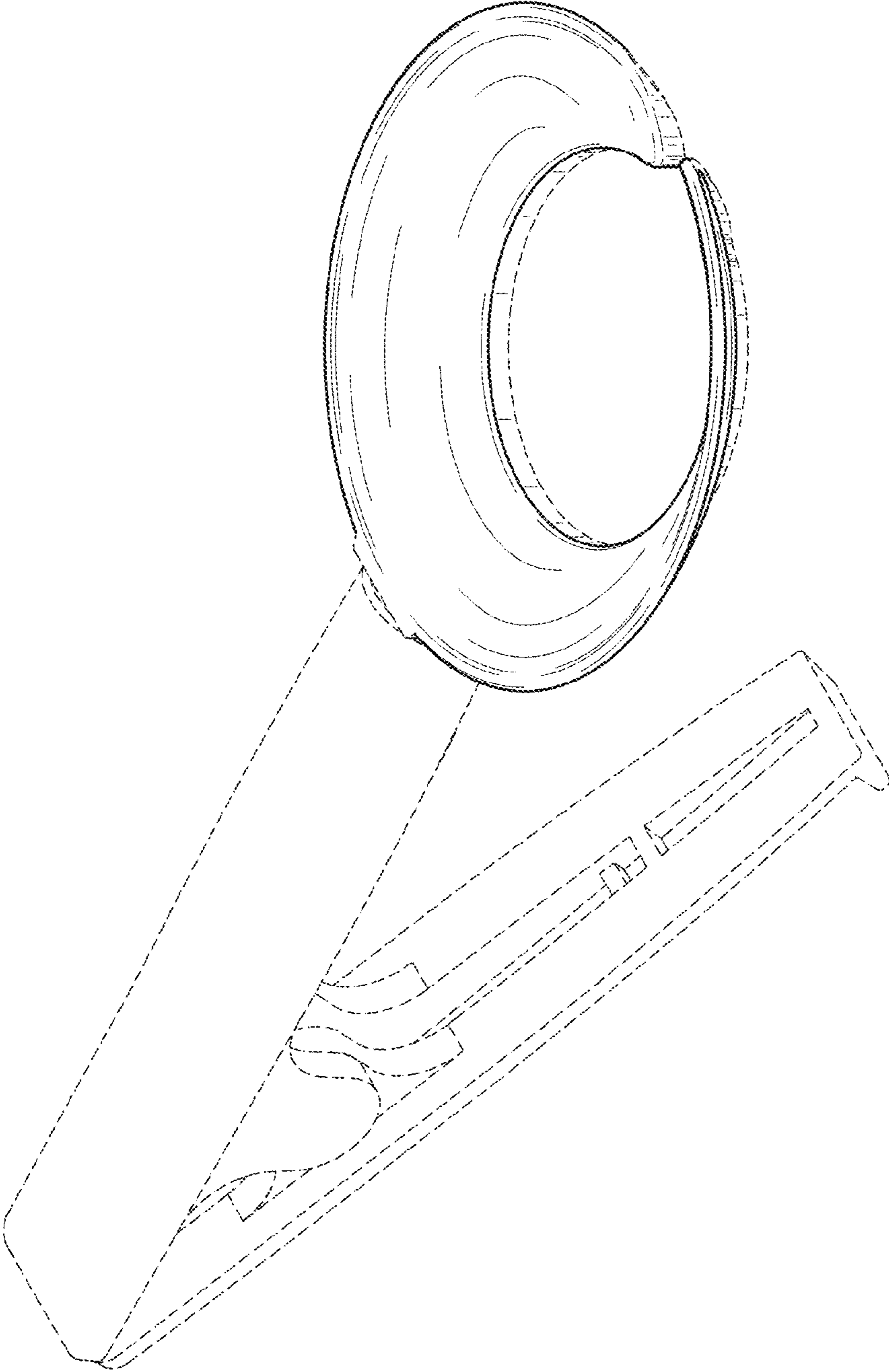


FIG. 7

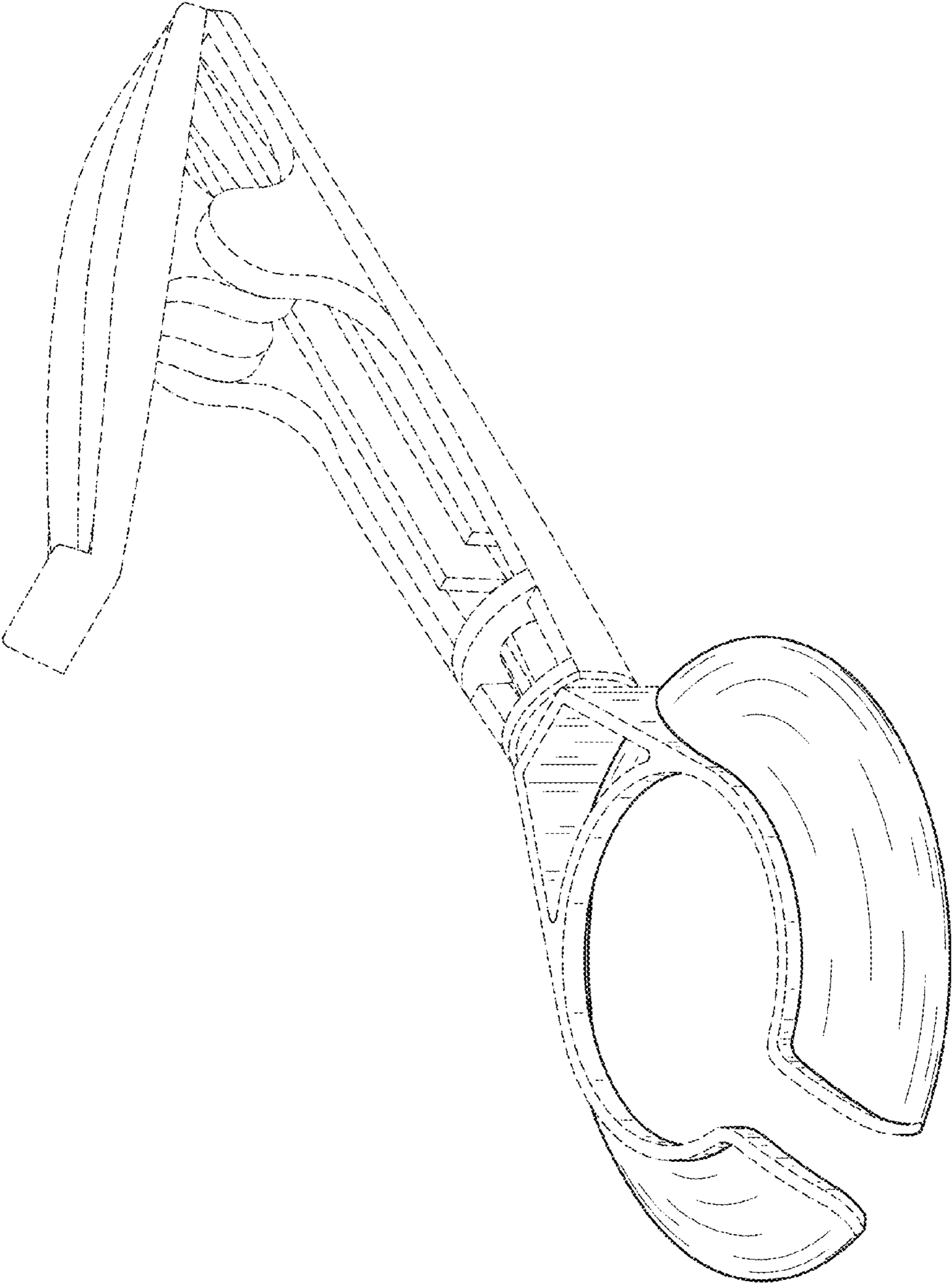


FIG. 8