

US00D750444S

(12) **United States Design Patent**  
**Smith et al.**

(10) **Patent No.:** **US D750,444 S**  
(45) **Date of Patent:** **\*\* Mar. 1, 2016**

- (54) **BEVERAGE HOLDER**
- (71) Applicants: **Rogene Smith**, Omaha, NE (US); **Suzi Dyer**, Omaha, NE (US); **Alan Dyer**, Omaha, NE (US)
- (72) Inventors: **Rogene Smith**, Omaha, NE (US); **Suzi Dyer**, Omaha, NE (US); **Alan Dyer**, Omaha, NE (US)
- (\*\*) Term: **14 Years**
- (21) Appl. No.: **29/487,245**
- (22) Filed: **Apr. 7, 2014**
- (51) **LOC (10) Cl.** ..... **07-06**
- (52) **U.S. Cl.**  
USPC ..... **D7/619.1**
- (58) **Field of Classification Search**  
USPC ..... D7/319.1, 320, 392.1, 396.2, 708.1;  
D9/434, 435, 455, 456, 499  
CPC ..... A47G 29/093; A47G 23/0225  
See application file for complete search history.

- D322,194 S \* 12/1991 Egan, Jr. .... D7/708.1
- D363,646 S \* 10/1995 Wong ..... D7/506
- D449,206 S \* 10/2001 DuBow ..... D7/708.1
- D560,981 S \* 2/2008 Tsui ..... D7/708.1
- D600,077 S \* 9/2009 Barnes, Jr. .... D7/620
- D612,691 S \* 3/2010 Barnes, Jr. .... D7/620
- 7,793,905 B2 \* 9/2010 Merritt ..... A47G 23/0225  
248/311.2

\* cited by examiner

*Primary Examiner* — Robert M Spear  
(74) *Attorney, Agent, or Firm* — Ryan T. Grace; Advent, LLP

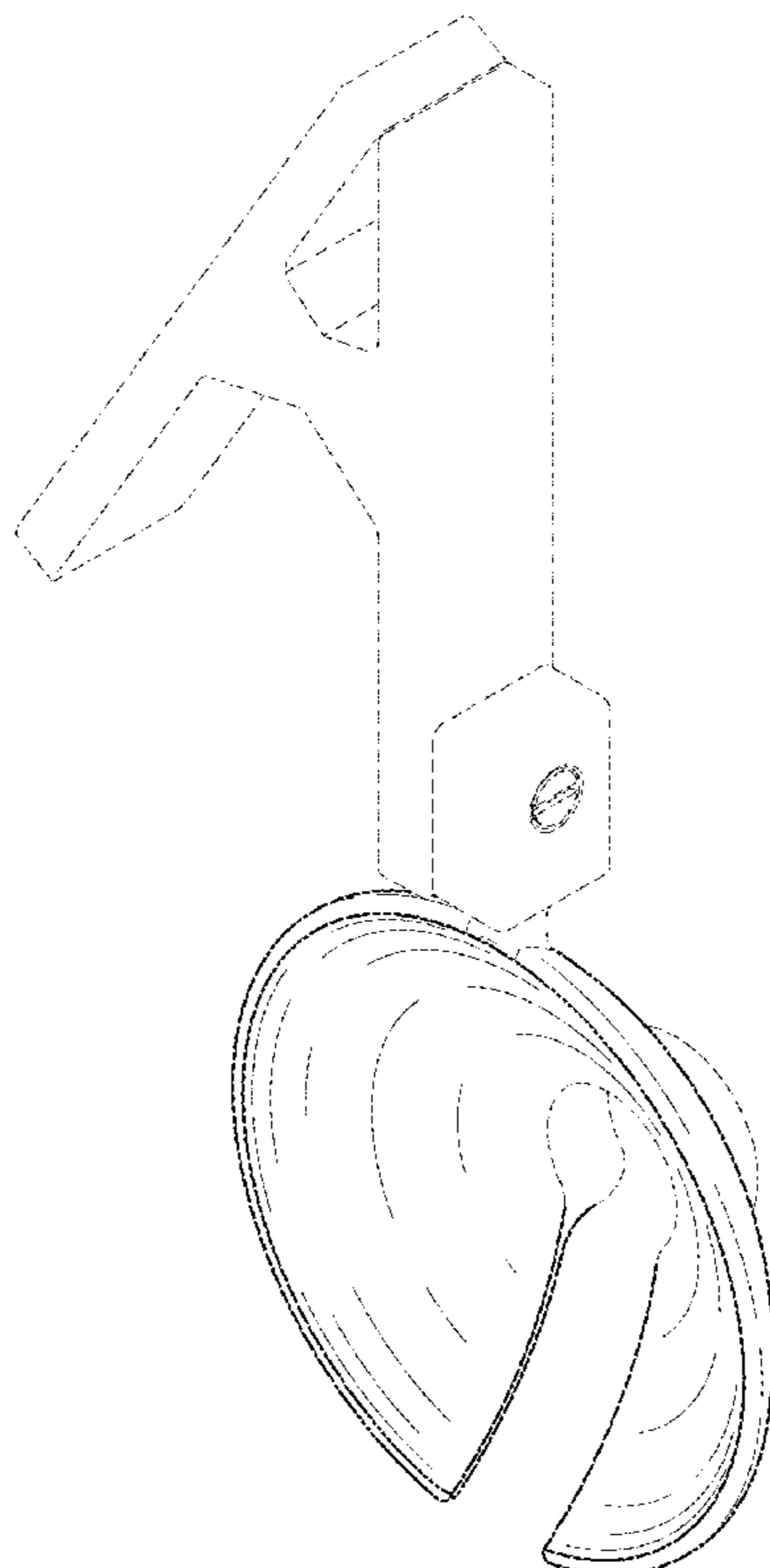
(57) **CLAIM**  
The ornamental design for a beverage holder, as shown and described.

**DESCRIPTION**

FIG. 1 is a perspective view of a beverage holder.  
FIG. 2 is a top view of the beverage holder of FIG. 1.  
FIG. 3 is a bottom view of the beverage holder of FIG. 1.  
FIG. 4 is side view of the beverage holder of FIG. 1.  
FIG. 5 is another side view of the beverage holder of FIG. 1.  
FIG. 6 is an end view of the beverage holder of FIG. 1; and,  
FIG. 7 is another end view of the beverage holder of FIG. 1.  
Portions of the beverage holder shown in dashed lines form no part of the claimed design.

**1 Claim, 7 Drawing Sheets**

- (56) **References Cited**  
U.S. PATENT DOCUMENTS  
4,696,447 A \* 9/1987 Strecker ..... A45D 20/12  
248/206.3  
4,961,555 A \* 10/1990 Egan, Jr. .... A47G 23/0225  
211/41.2



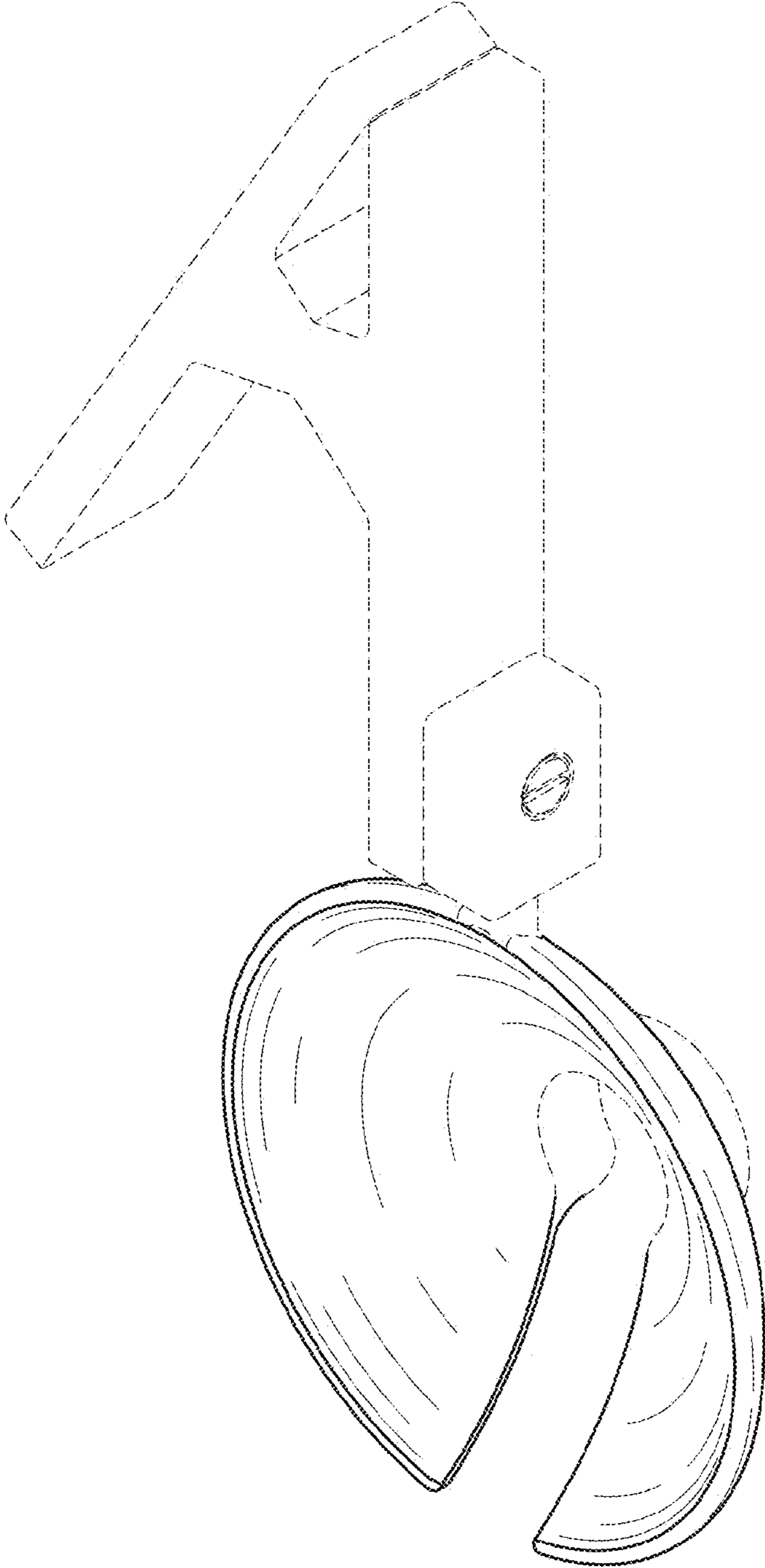


FIG. 1

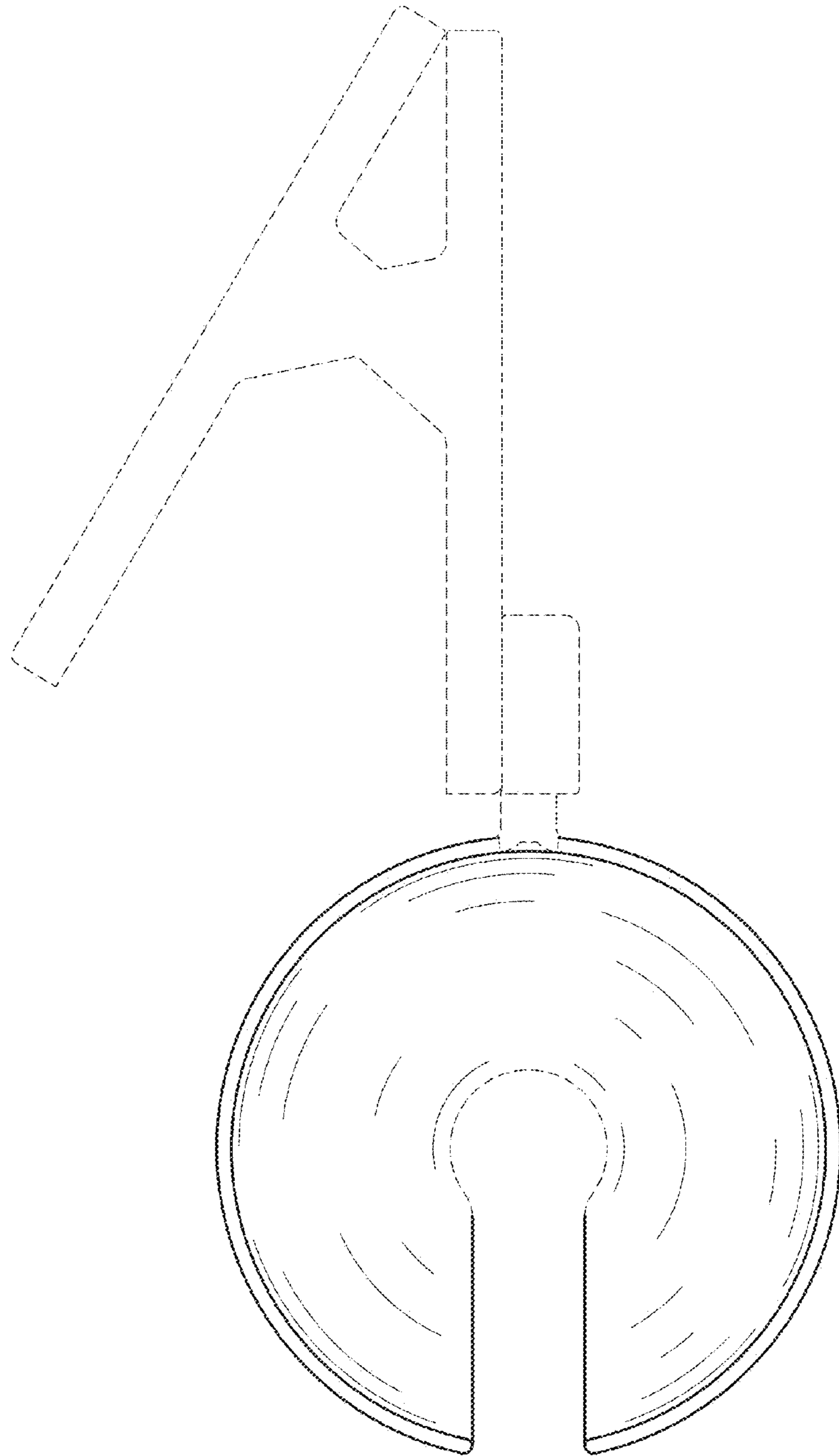


FIG. 2

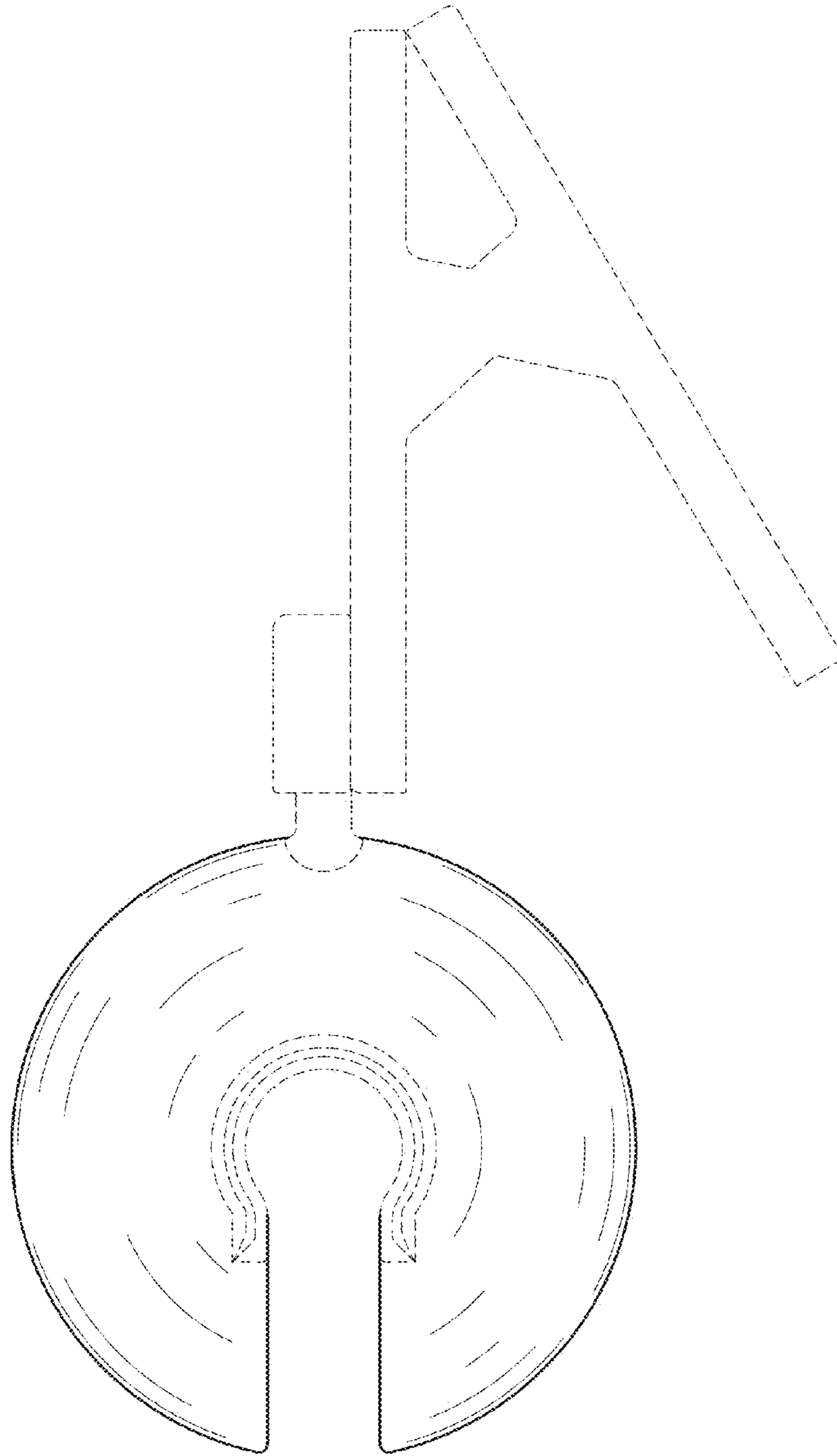


FIG. 3

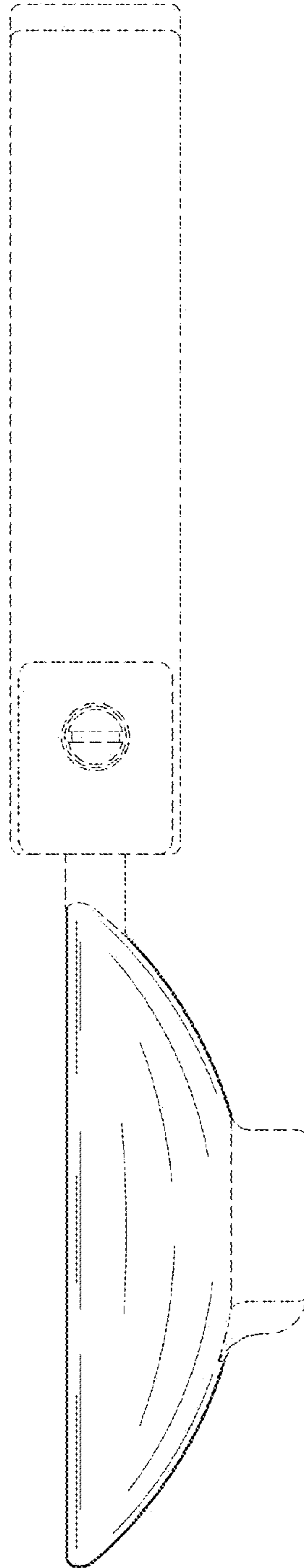


FIG. 4

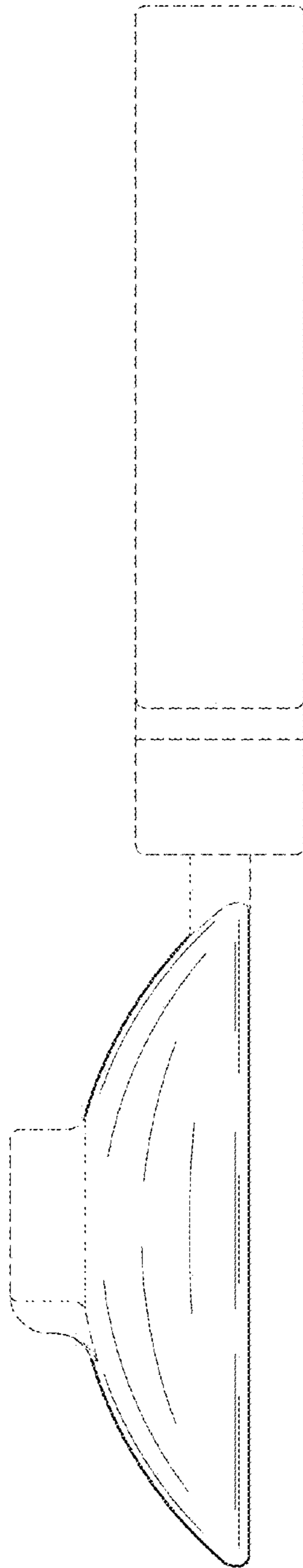
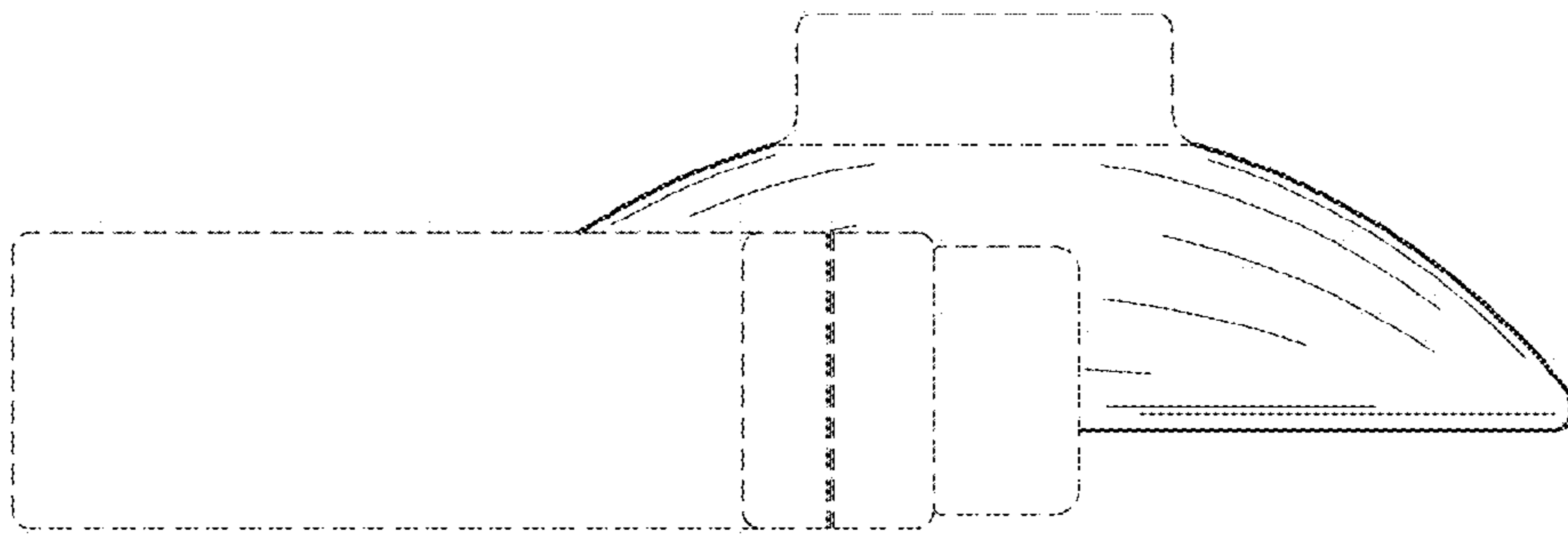
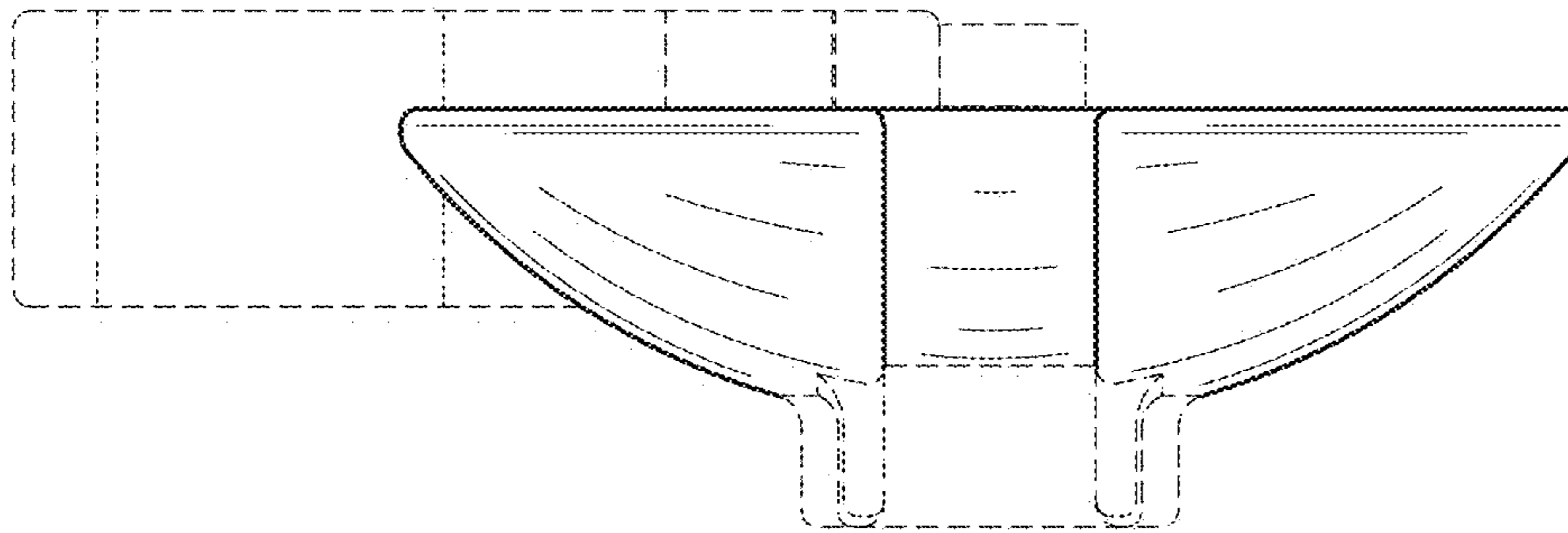


FIG. 5



**FIG. 6**



**FIG. 7**