



US00D750442S

(12) **United States Design Patent**
Tiemann et al.

(10) **Patent No.:** **US D750,442 S**
(45) **Date of Patent:** **** Mar. 1, 2016**

(54) **DRAWER FOR HOLDING DIFFERENT TYPES OF BEVERAGE CARTRIDGES**

(71) Applicant: **Nifty Home Products, Inc.**, Madison Lake, MN (US)

(72) Inventors: **Frank R. Tiemann**, Madison Lake, MN (US); **Richard W. Vogelgesang, II**, Madison Lake, MN (US); **Todd M. Hertaus**, New Market, MN (US); **Nicholas J. Teigland**, Mankato, MN (US)

(73) Assignee: **Nifty Home Products**, Madison Lake, MN (US)

(**) Term: **14 Years**

(21) Appl. No.: **29/494,471**

(22) Filed: **Jun. 20, 2014**

(51) **LOC (10) Cl.** **07-06**

(52) **U.S. Cl.**
USPC **D7/600.1**

(58) **Field of Classification Search**
USPC D7/600.1-600.4; D3/304-306; D19/92, D19/95, 86; D6/705-707, 707.1, 663, 9; 220/486, 485, 23.87, 495; 206/565, 206/511, 557, 560; 312/348.3; 211/70.1, 211/70.6, 70.7, 74, 71.01, 126.1, 126.9, 211/133.5
CPC A47J 31/44; A47J 47/16; A47J 31/3642; B65D 7/20; F26B 5/045
See application file for complete search history.

(56) **References Cited**

U.S. PATENT DOCUMENTS

921,694 A 5/1909 Hall
D433,711 S 11/2000 Andujar
6,840,593 B2 1/2005 Remmers
D525,488 S 7/2006 McWhorter
D547,094 S * 7/2007 Klein D6/705.6

D599,589 S * 9/2009 Cassel D3/297
D628,444 S 12/2010 Snider
D628,445 S 12/2010 Snider
D635,363 S 4/2011 Hertaus
D635,765 S 4/2011 Hertaus
D643,686 S 8/2011 Tiemann
D644,069 S 8/2011 Tiemann
D659,481 S 5/2012 Tiemann
D660,088 S 5/2012 Tiemann
D660,652 S 5/2012 Tiemann
D661,951 S 6/2012 Tiemann
D676,715 S * 2/2013 Tsai D7/600.1

(Continued)

OTHER PUBLICATIONS

“Smart Works Keurig K Cup Coffee Pod Drawer Holds 35 Pods Chrome Finish Glass Top”, ebay.com, Apr. 7, 2014.

Primary Examiner — Terry Wallace

(74) *Attorney, Agent, or Firm* — Nikolai & Mersereau; Thomas J. Nikolai

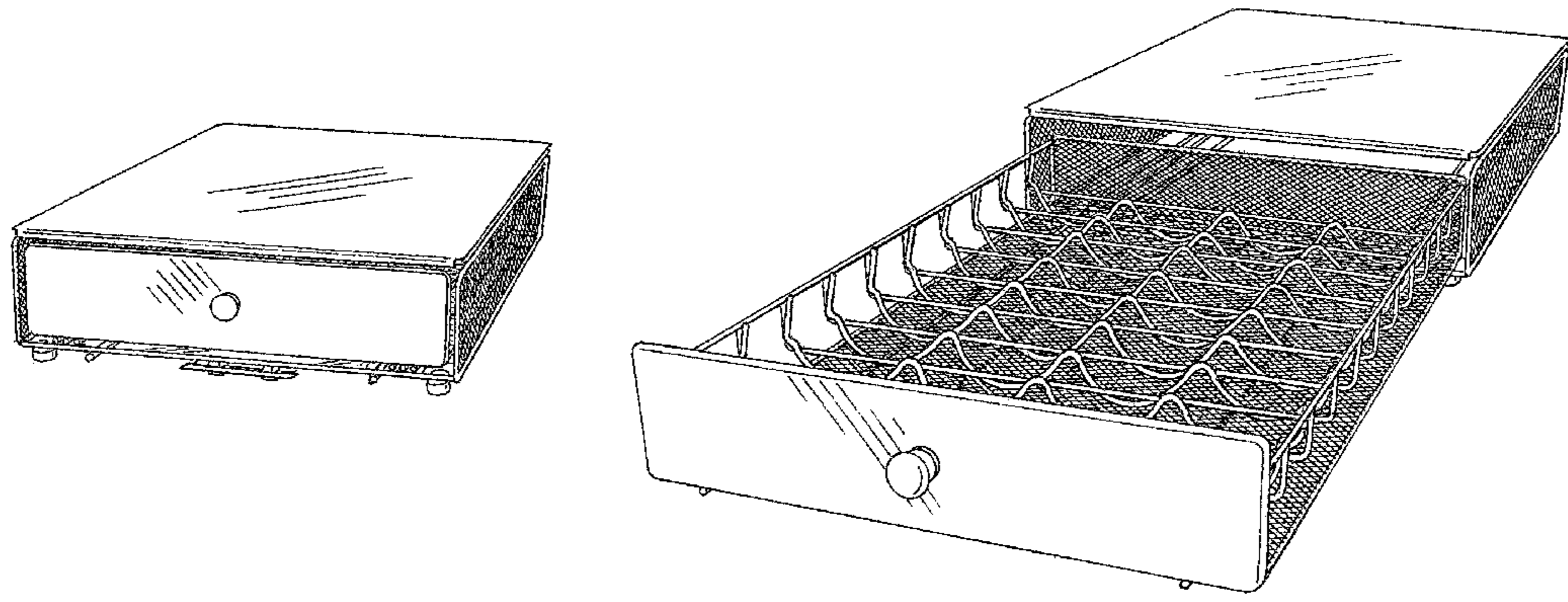
(57) **CLAIM**

The ornamental design for the “drawer for holding different types of beverage cartridges,” as shown and described.

DESCRIPTION

FIG. 1 is a perspective view of the drawer for holding different types of beverage cartridges;
FIG. 2 is a perspective view thereof showing the drawer extended outward;
FIG. 3 is a perspective view thereof showing the drawer extended outward and with a beverage cartridge shown in phantom;
FIG. 4 is a front view thereof;
FIG. 5 is a right side view thereof;
FIG. 6 is a rear view thereof
FIG. 7 is a left side view thereof;
FIG. 8 is a top view thereof; and,
FIG. 9 is a bottom side view thereof.
The broken lines in FIG. 3 are for the purpose of illustrating the environment and form no part of the claimed design.

1 Claim, 5 Drawing Sheets



(56)

References Cited

U.S. PATENT DOCUMENTS

D679,954 S *	4/2013	Snider	D7/600.1	D703,002 S	4/2014	Tiemann	
D680,380 S	4/2013	Tiemann		D703,003 S	4/2014	Tiemann	
D682,039 S	5/2013	Tiemann		D703,005 S	4/2014	Tiemann	
D682,040 S	5/2013	Tiemann		2005/0205578 A1 *	9/2005	Yeh	B65D 7/20 220/485
D684,404 S *	6/2013	Hertaus	D6/705	2005/0217136 A1 *	10/2005	Blankenship	F26B 5/045 34/406
D686,464 S	7/2013	Tiemann		2014/0091695 A1 *	4/2014	Sabounjian	A47J 31/3642 312/348.3
D688,902 S *	9/2013	Hertaus	D6/663	2014/0097120 A1 *	4/2014	Sabounjian	A47J 31/44 206/565
D691,858 S	10/2013	Tiemann					
D701,733 S	4/2014	Tiemann					

* cited by examiner

FIG. 1

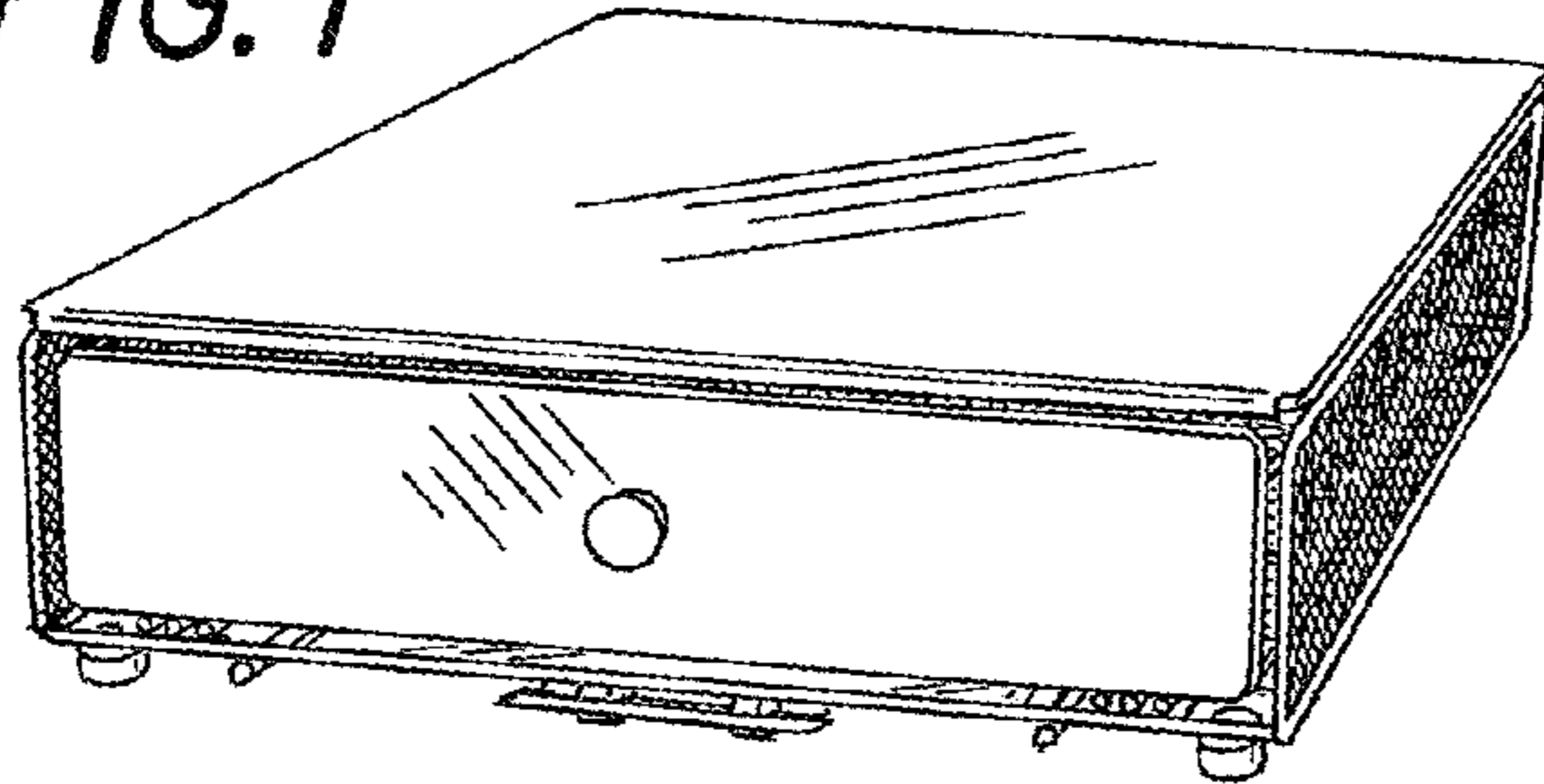


FIG. 2

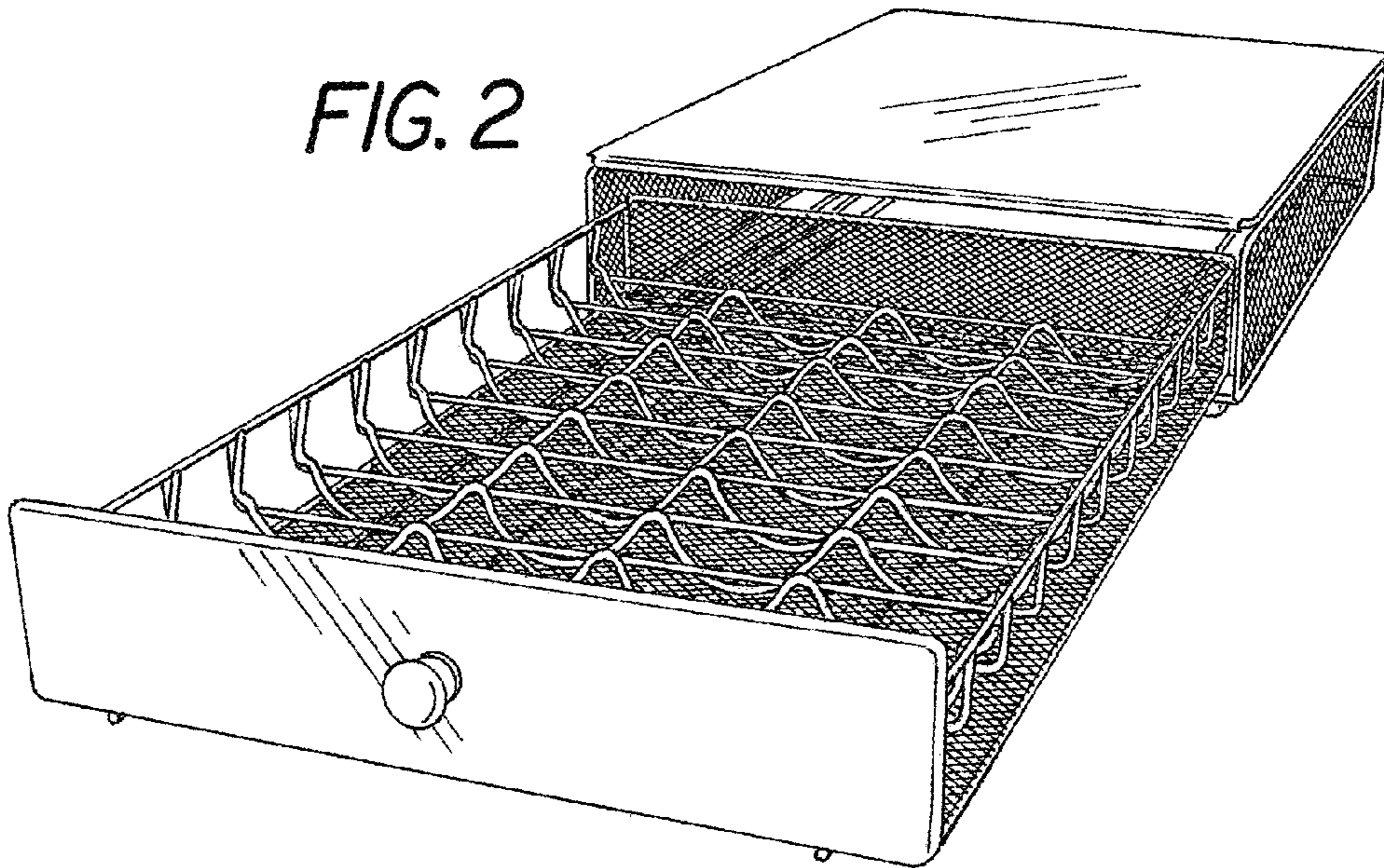


FIG. 3

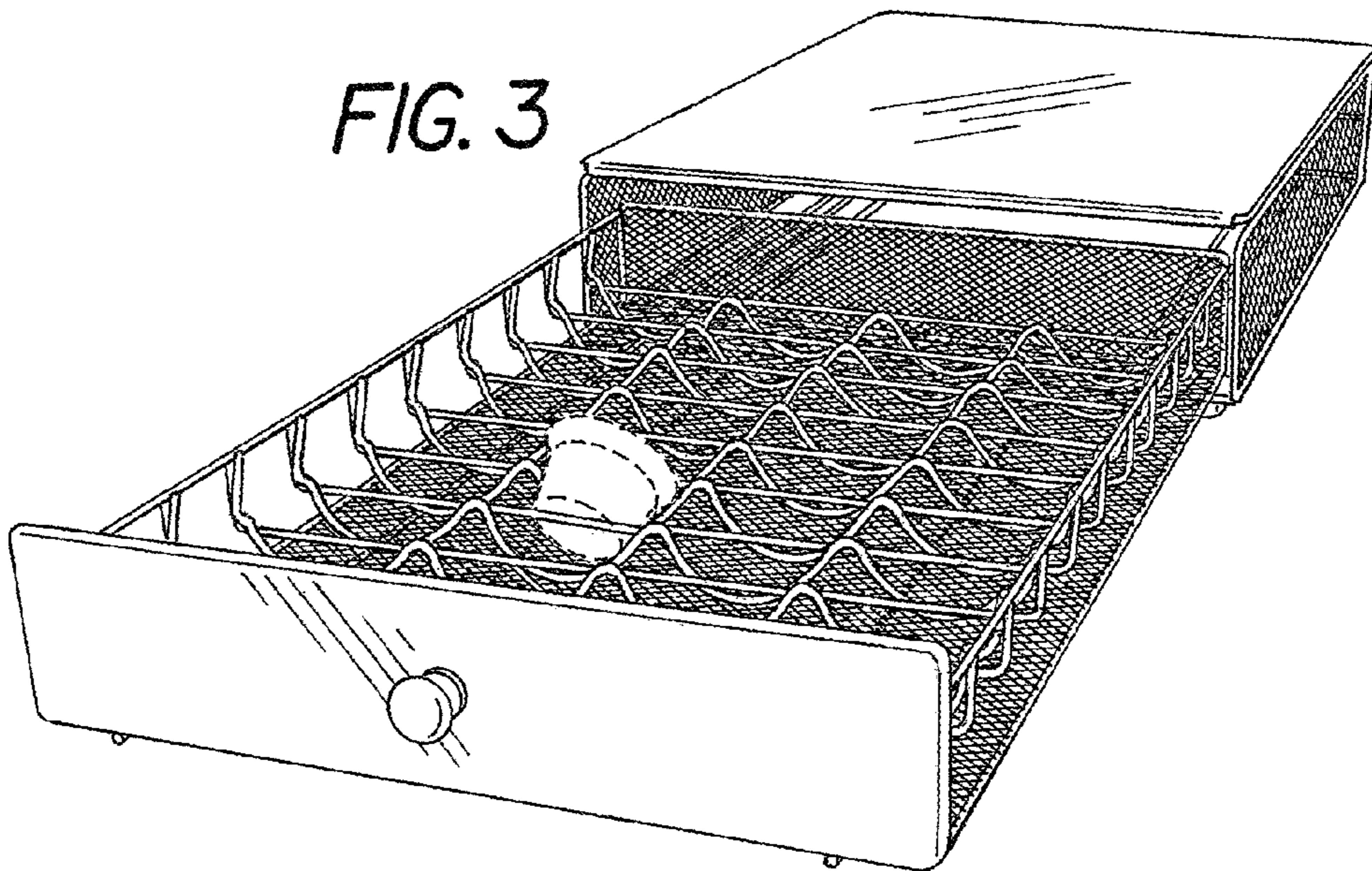


FIG. 4

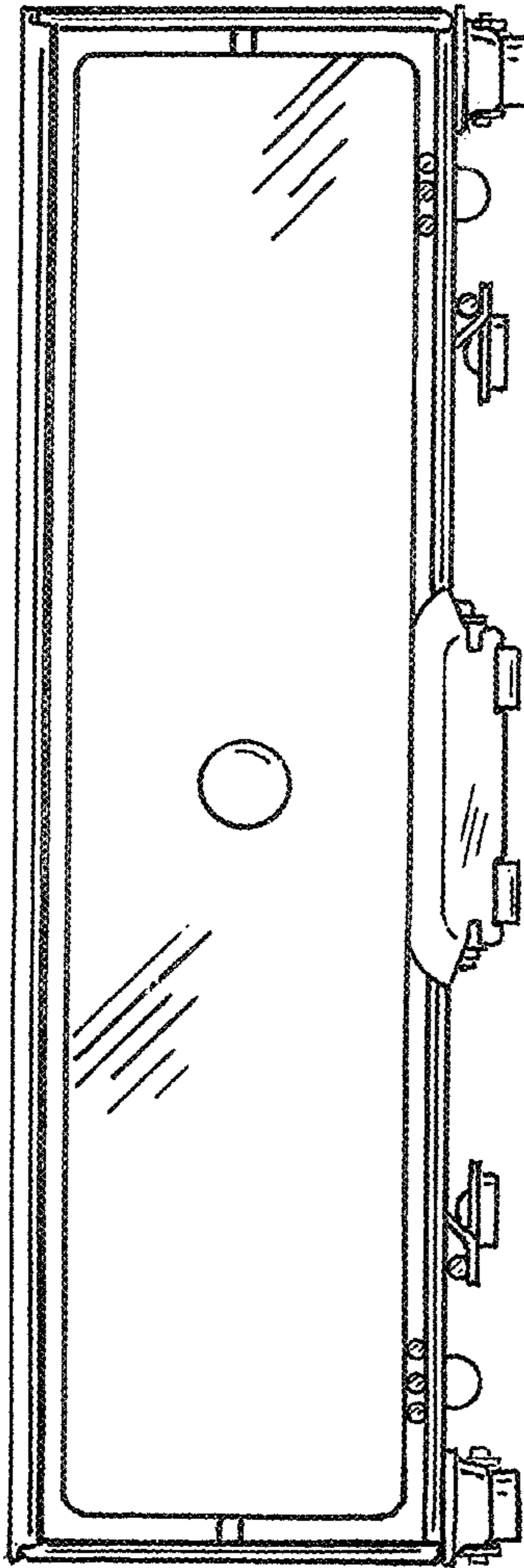


FIG. 5

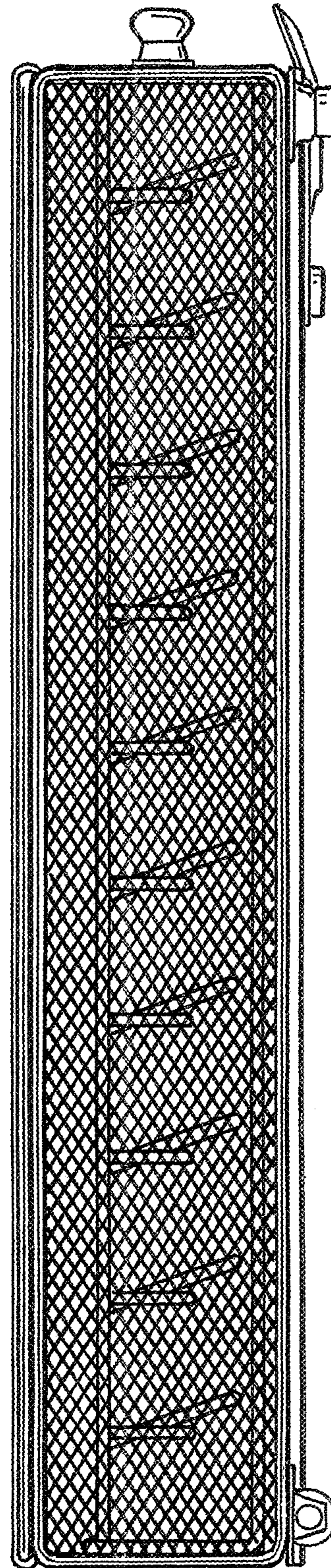


FIG. 6

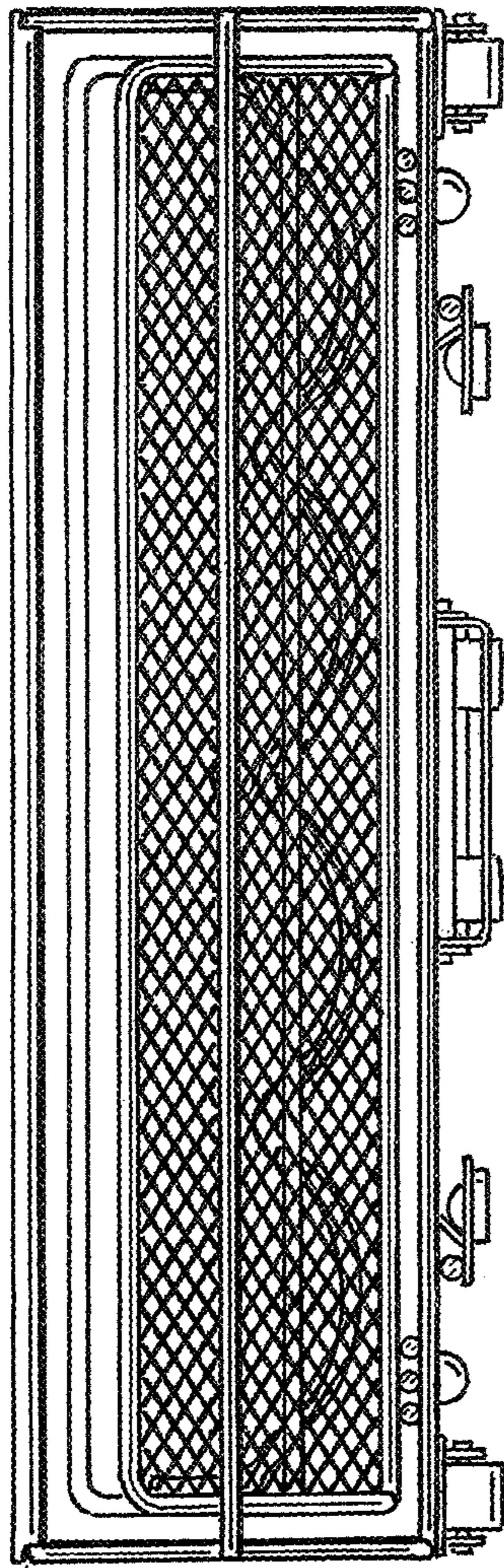


FIG. 7

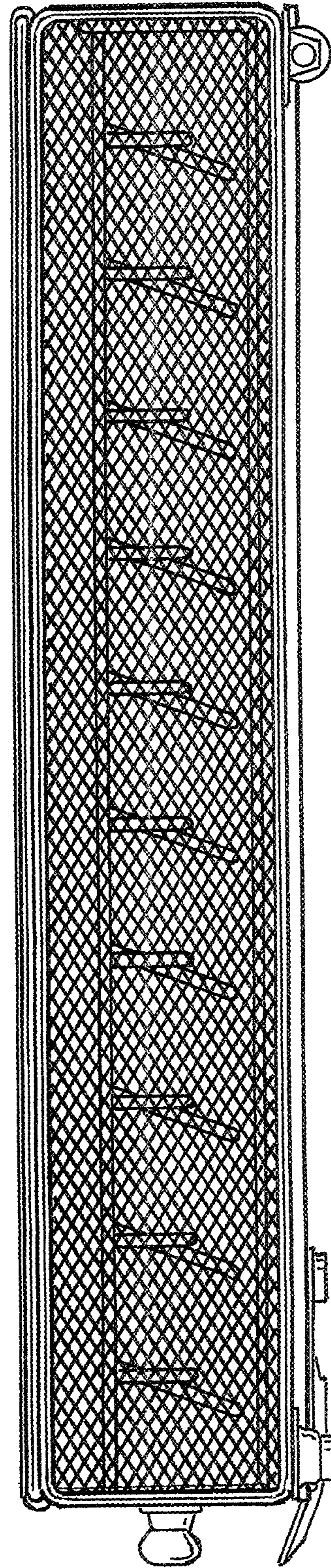


FIG. 8

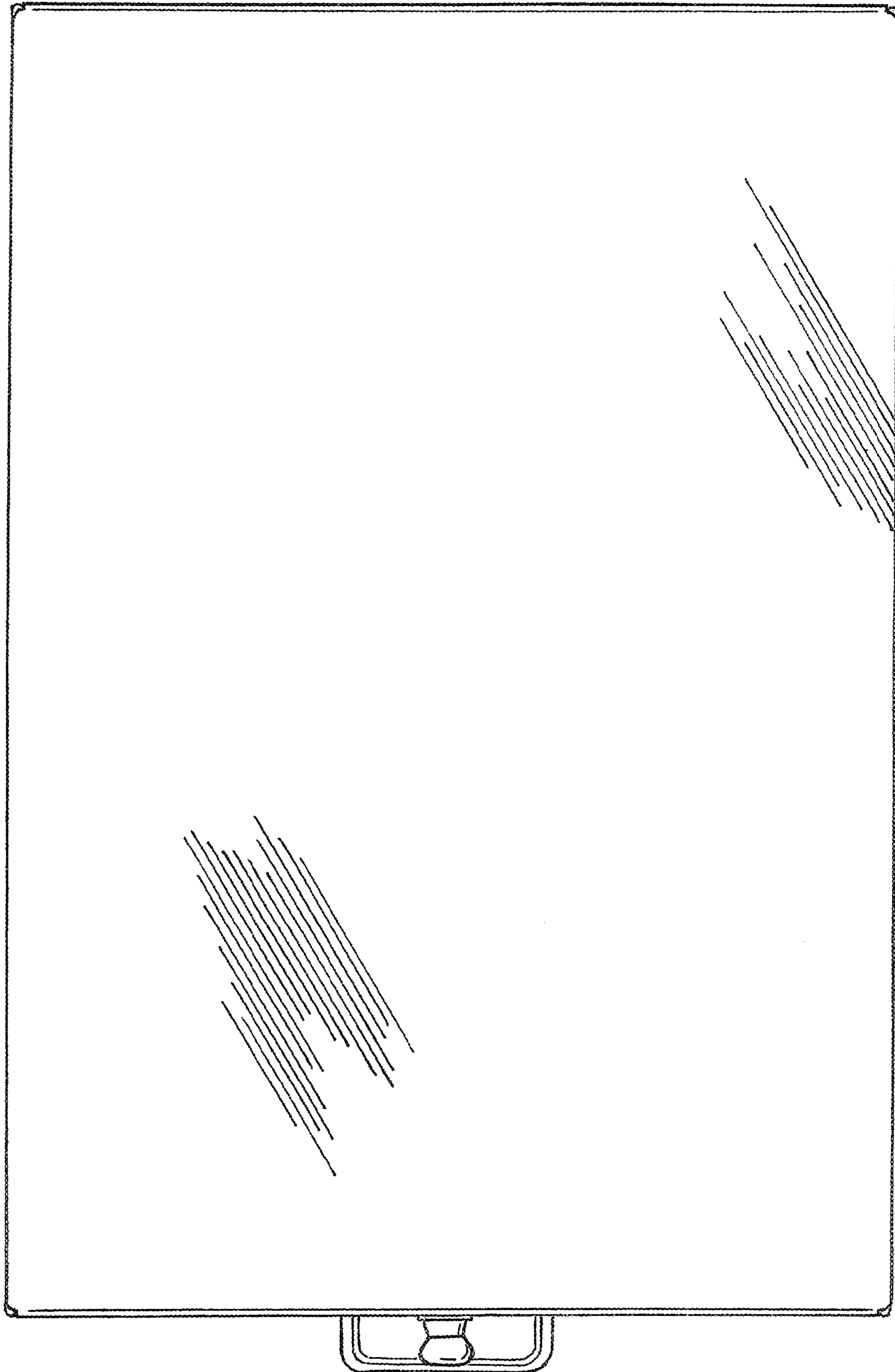


FIG. 9

