



US00D750440S

(12) **United States Design Patent**
Dhingra

(10) **Patent No.:** **US D750,440 S**
(45) **Date of Patent:** **** Mar. 1, 2016**

(54) **CASSEROLE/POT**

(71) Applicant: **LDDN IMPEX**, Delhi (IN)
(72) Inventor: **Sandeep Dhingra**, Delhi (IN)
(73) Assignee: **LDDN Impex**, Delhi (IN)
(**) Term: **14 Years**
(21) Appl. No.: **29/511,326**
(22) Filed: **Dec. 9, 2014**

(30) **Foreign Application Priority Data**

Jun. 9, 2014 (EM) 002478875-0004

(51) **LOC (10) Cl.** **07-01**

(52) **U.S. Cl.**
USPC **D7/540**

(58) **Field of Classification Search**

USPC D7/584, 500, 560, 554.3, 550.1, 538,
D7/571, 587, 586, 551.2, 543, 545, 505,
D7/566, 509, 555, 553.6, 540; 220/574;
D30/129; D3/304; D19/107, 135, 95;
206/459.5
CPC A47G 19/02; A47G 19/06; A47G 23/06;
A47G 19/12; A47G 19/00; B65D 1/34;
A01K 5/0142; A01K 5/0114

See application file for complete search history.

(56) **References Cited**

U.S. PATENT DOCUMENTS

D228,114 S *	8/1973	La Rosa	D7/542
D385,461 S *	10/1997	Cousins	D7/361
D475,893 S *	6/2003	Hottenroth	D7/538
D582,218 S *	12/2008	Curtin	D7/540
D594,704 S *	6/2009	Loaiza	D7/538
D625,149 S *	10/2010	Stamper	D7/538
D635,402 S *	4/2011	Shah	D7/538
D641,200 S *	7/2011	Lion	D7/354
D644,490 S *	9/2011	Shah	D7/538
D661,160 S *	6/2012	Shah	D7/538

* cited by examiner

Primary Examiner — Cynthia Underwood

(74) *Attorney, Agent, or Firm* — Lewis Roca Rothgerber Christie LLP

(57) **CLAIM**

The ornamental design for a casserole/pot, as shown and described.

DESCRIPTION

FIG. 1 is a perspective view of a first embodiment of the new design.

FIG. 2 is a front view thereof.

FIG. 3 is a rear view thereof.

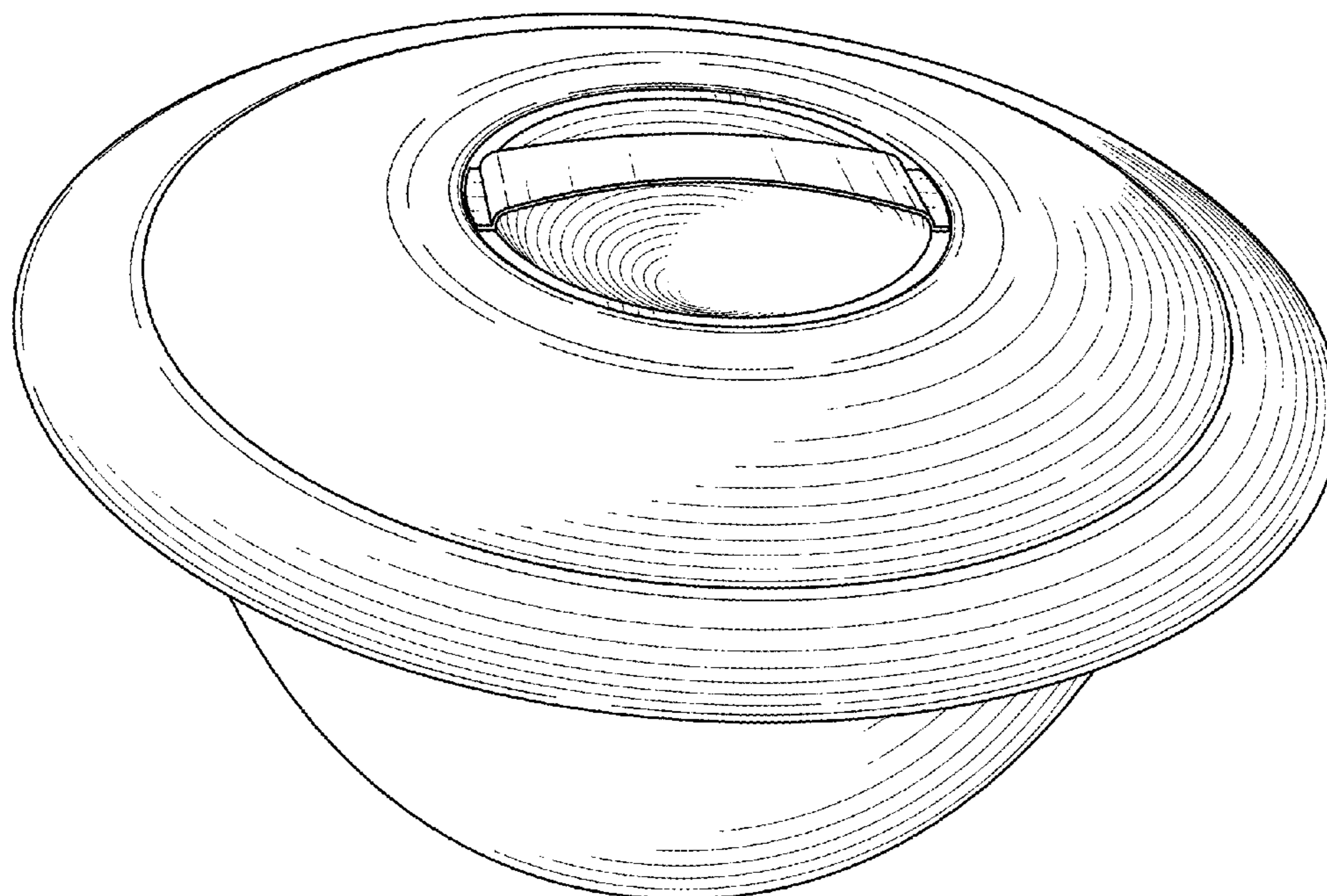
FIG. 4 is a right side view thereof.

FIG. 5 is a left side view thereof.

FIG. 6 is a top view thereof; and,

FIG. 7 is a bottom view thereof.

1 Claim, 5 Drawing Sheets



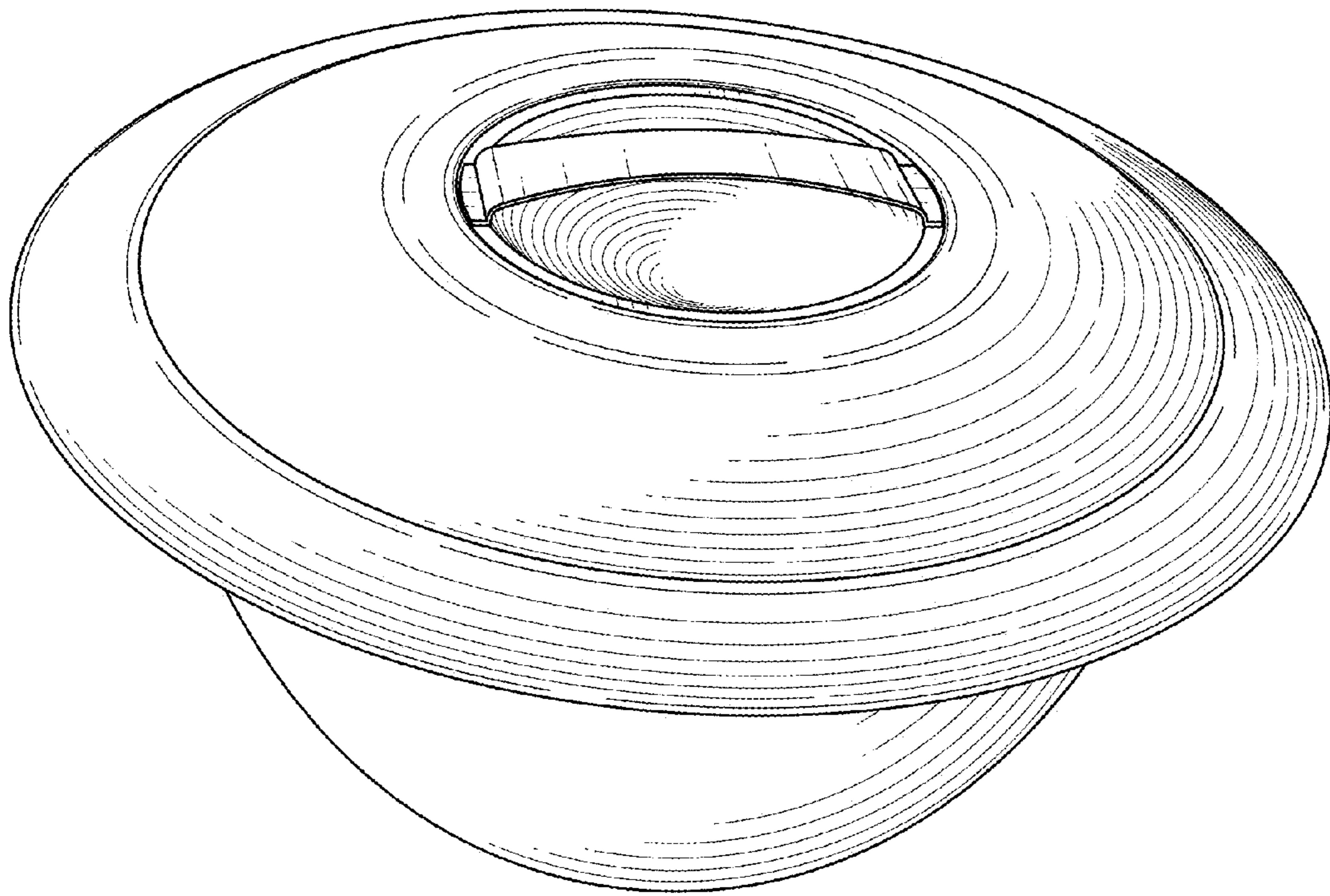


FIG. 1

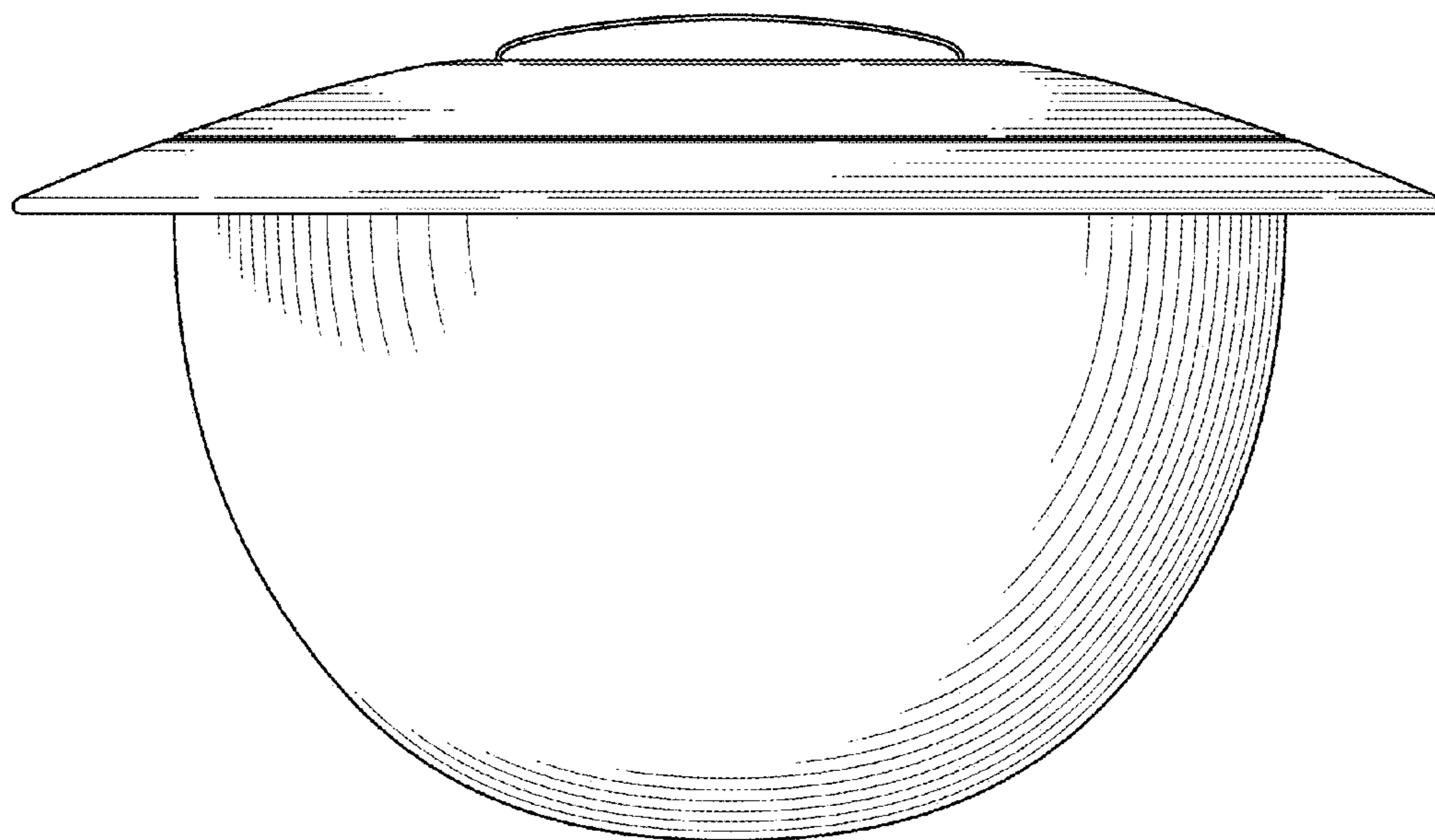


FIG. 2

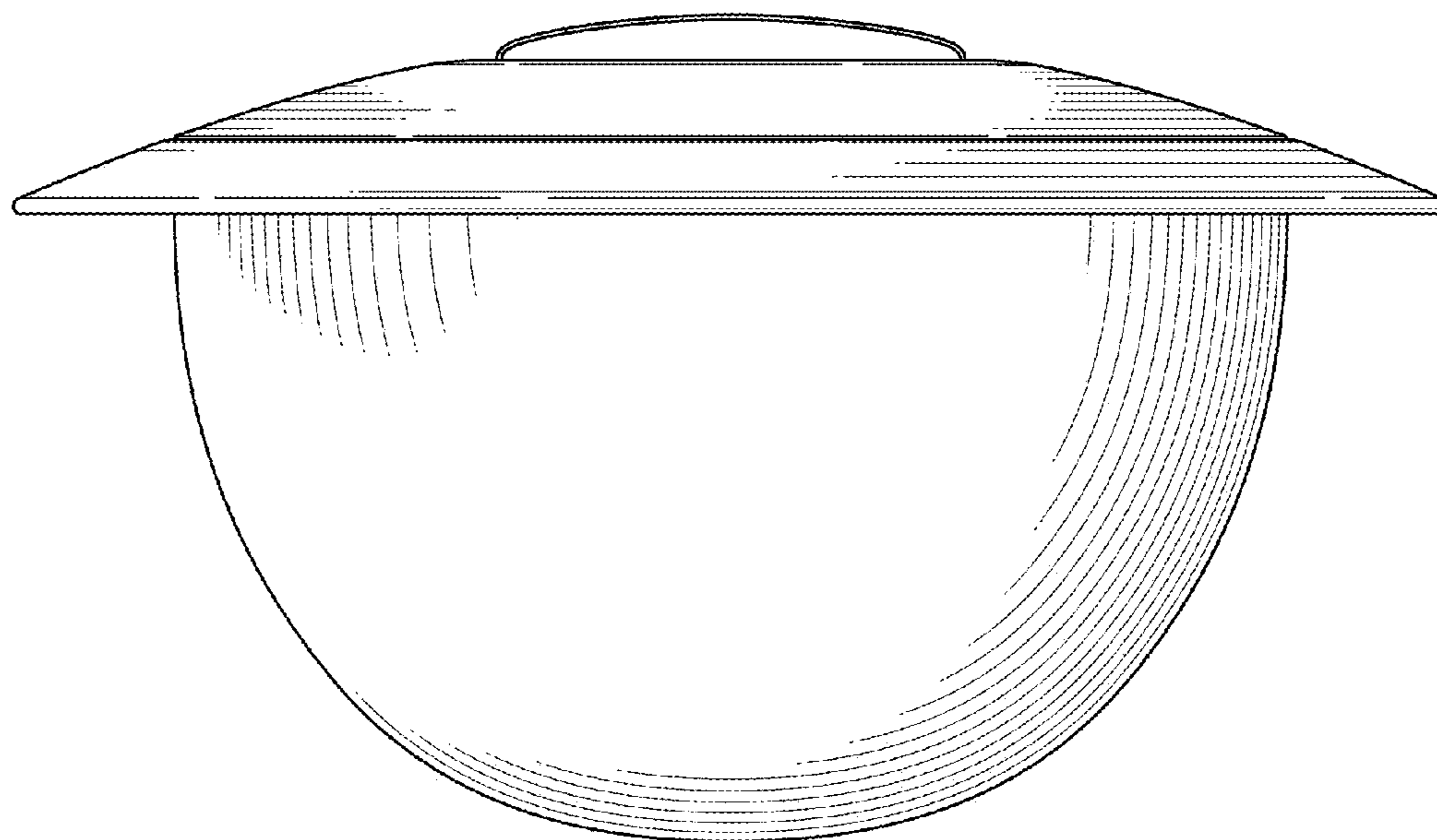


FIG. 3

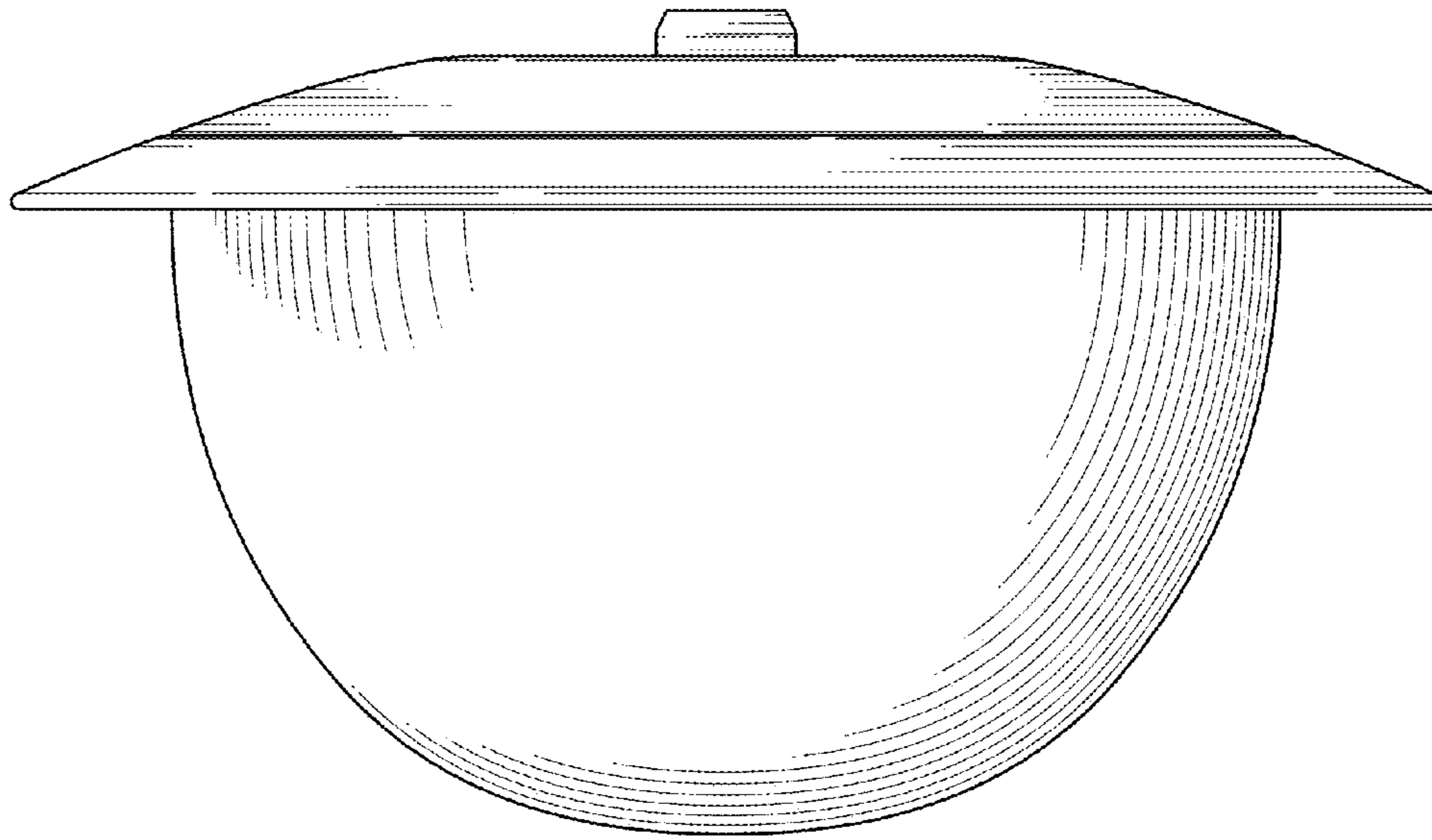


FIG. 4

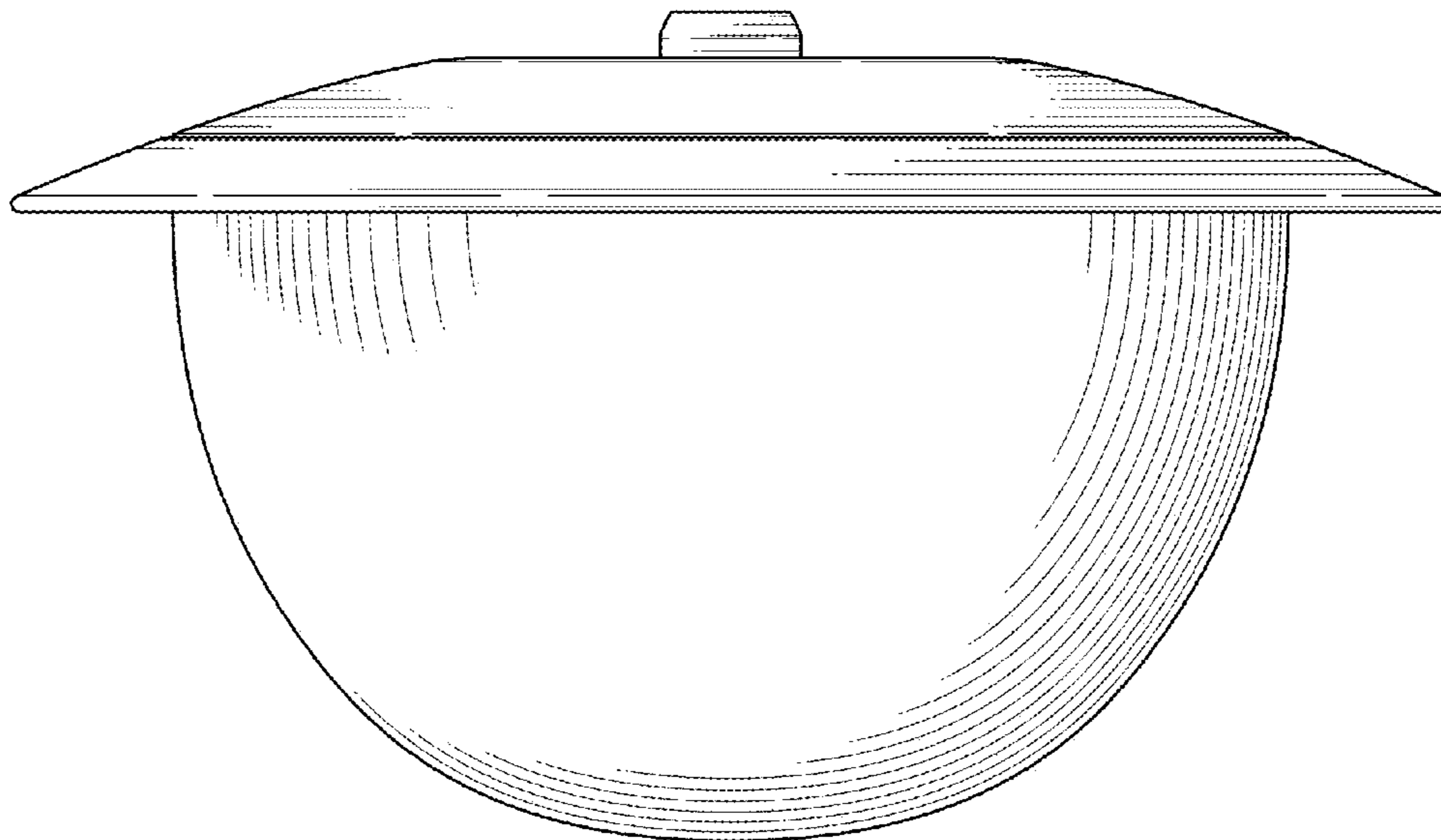


FIG. 5

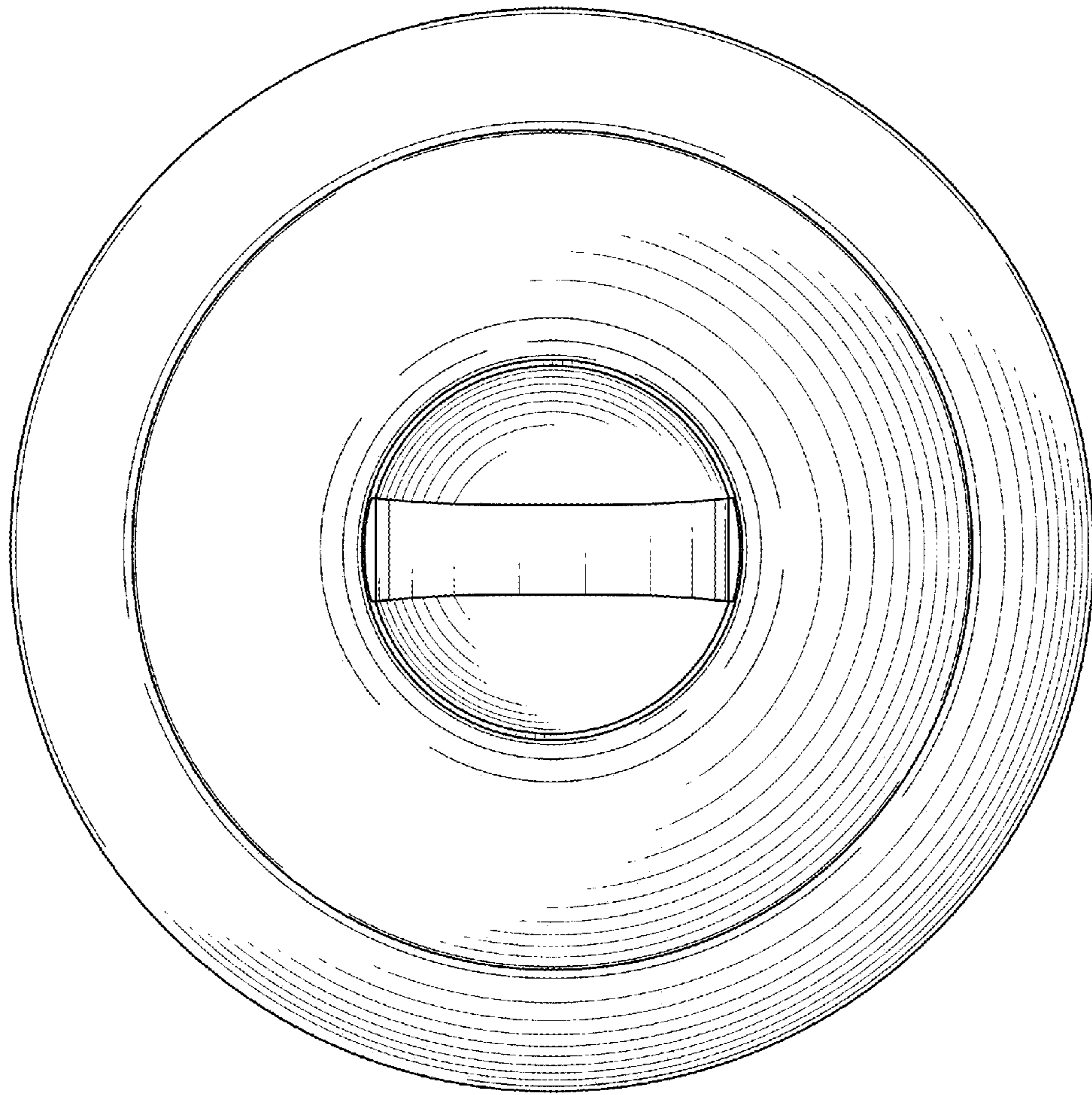


FIG. 6

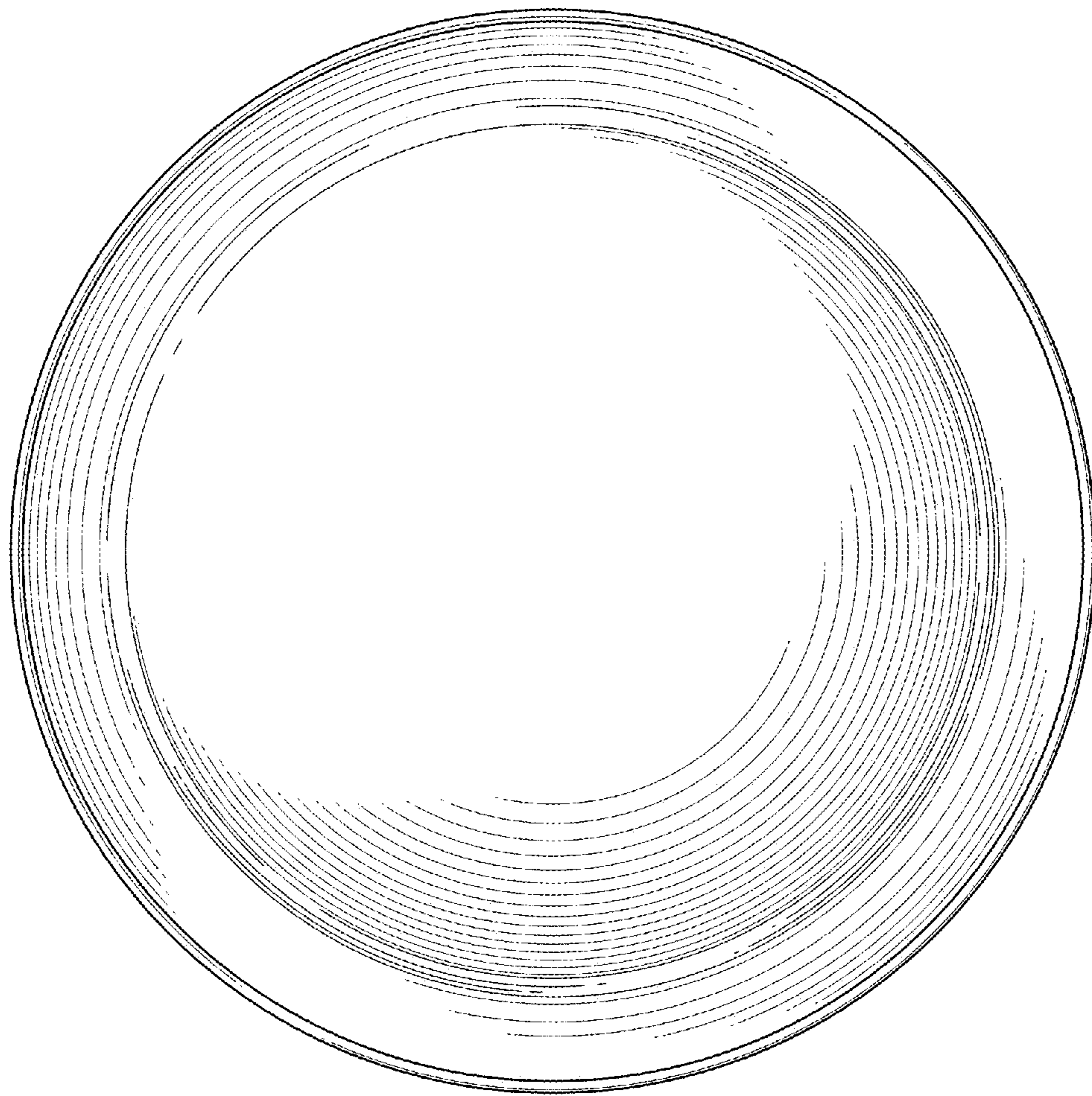


FIG. 7