



US00D750439S

(12) **United States Design Patent**  
**Saxton et al.**

(10) **Patent No.:** **US D750,439 S**  
(45) **Date of Patent:** **\*\* Mar. 1, 2016**

- (54) **CONTAINER**
- (71) Applicant: **Munchkin, Inc.**, Van Nuys, CA (US)
- (72) Inventors: **Matthew Joseph Saxton**, Agoura, CA (US); **Jonathan L. Black**, Provo, UT (US)
- (73) Assignee: **MUNCHKIN, Inc.**, Van Nuys, CA (US)
- (\*\*) Term: **14 Years**
- (21) Appl. No.: **29/502,596**
- (22) Filed: **Sep. 17, 2014**

D513,932	S	*	1/2006	De Oliveira	.....	D7/510
D580,764	S	*	11/2008	Shale	.....	D9/500
D582,724	S	*	12/2008	Dretzka	.....	D7/509
7,562,789	B2	*	7/2009	Randolph	.....	A47G 19/2272
						220/212.5
D616,706	S	*	6/2010	Bofinger	.....	D24/197
D620,125	S	*	7/2010	Rees	.....	D24/197
D625,423	S	*	10/2010	MacKay	.....	D24/197
D635,684	S	*	4/2011	Shaikh	.....	D24/197
D642,866	S	*	8/2011	Schofield	.....	D24/197
D674,101	S	*	1/2013	Smith	.....	D24/197
D675,877	S	*	2/2013	Thomas	.....	D7/510
D676,709	S	*	2/2013	Thomas	.....	D7/510
D679,948	S	*	4/2013	Meyer	.....	D24/197
D683,185	S	*	5/2013	Thomas	.....	D7/510
D684,303	S	*	6/2013	Lin	.....	D26/118
D686,739	S	*	7/2013	Boonprasop	.....	D24/197
D688,099	S	*	8/2013	Hsu	.....	D24/197
D697,406	S	*	1/2014	Peacock	.....	D7/523
D698,600	S	*	2/2014	Aslan	.....	D7/393
D710,147	S	*	8/2014	Saxton	.....	D7/393
D717,105	S	*	11/2014	Aslan	.....	D7/393
D717,116	S	*	11/2014	Aslan	.....	D24/197
D718,090	S	*	11/2014	Roehrig	.....	D7/510
D727,098	S	*	4/2015	Saxton	.....	D7/509
D730,697	S	*	6/2015	Johnson	.....	D7/510
2005/0098567	A1	*	5/2005	Randolph	.....	A47G 19/2272
						220/710.5

**Related U.S. Application Data**

- (62) Division of application No. 29/458,691, filed on Jun. 21, 2013, now Pat. No. Des. 727,098.
- (51) **LOC (10) Cl.** ..... **07-01**
- (52) **U.S. Cl.**  
USPC ..... **D7/534**; D7/533; D7/509
- (58) **Field of Classification Search**  
USPC ..... D7/507, 509, 510, 513, 523, 532-537, D7/524-528, 213, 396.4, 387, 389, 393, D7/395, 668; D9/533, 740, 439, 741, 742, D9/743, 747, 440, 436, 417; 220/592.16, 220/592.17, 592.2, 592.26, 592.27, 703, 220/4.26, 4.27; 215/387, 388, 400; D24/196, 197  
CPC ..... A47G 19/22; A47G 19/2205; A47G 19/2266; A47G 19/2272; A47G 19/23; A61J 7/0046; B29L 2031/7132; B65D 1/265  
See application file for complete search history.

\* cited by examiner

*Primary Examiner* — Marianne Pandozzi  
*Assistant Examiner* — Jae Liang  
(74) *Attorney, Agent, or Firm* — Robert Z. Evora, Esq.

(57) **CLAIM**

The ornamental design for a container, as shown and described.

**DESCRIPTION**

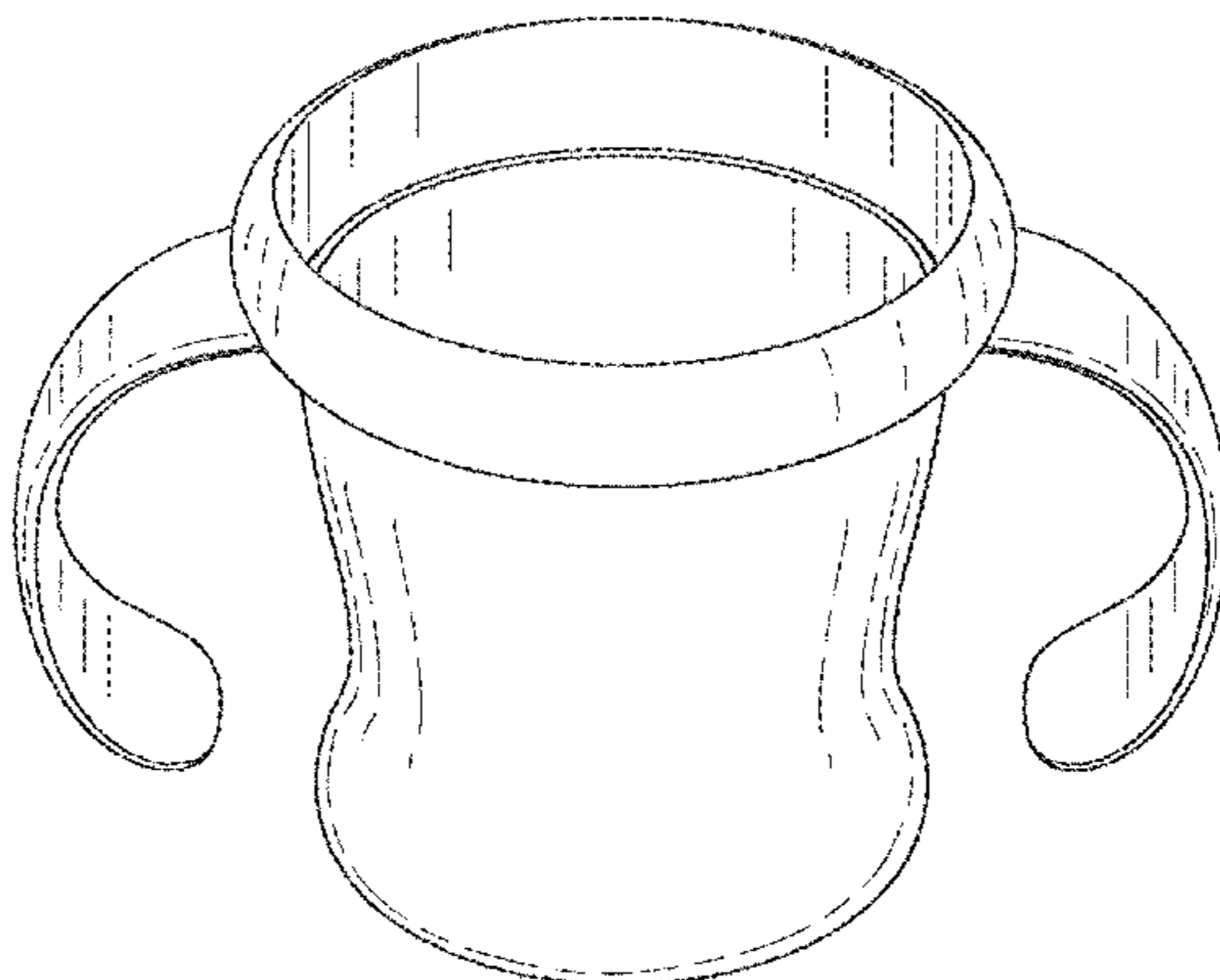
FIG. 1 is an upper front perspective view of a container showing our new design;  
FIG. 2 is a lower front perspective view thereof;  
FIG. 3 is a front view thereof;  
FIG. 4 is a top view thereof;  
FIG. 5 is a bottom view thereof; and,  
FIG. 6 is a side view thereof.

**1 Claim, 6 Drawing Sheets**

(56) **References Cited**

**U.S. PATENT DOCUMENTS**

D366,987	S	*	2/1996	Allegre	.....	D7/510
D368,529	S	*	4/1996	Allegre	.....	D24/197
D375,655	S	*	11/1996	King	.....	D7/510
D462,449	S	*	9/2002	Morano	.....	D24/197
D464,434	S	*	10/2002	Morano	.....	D24/197
D476,849	S	*	7/2003	Randolph	.....	D7/510



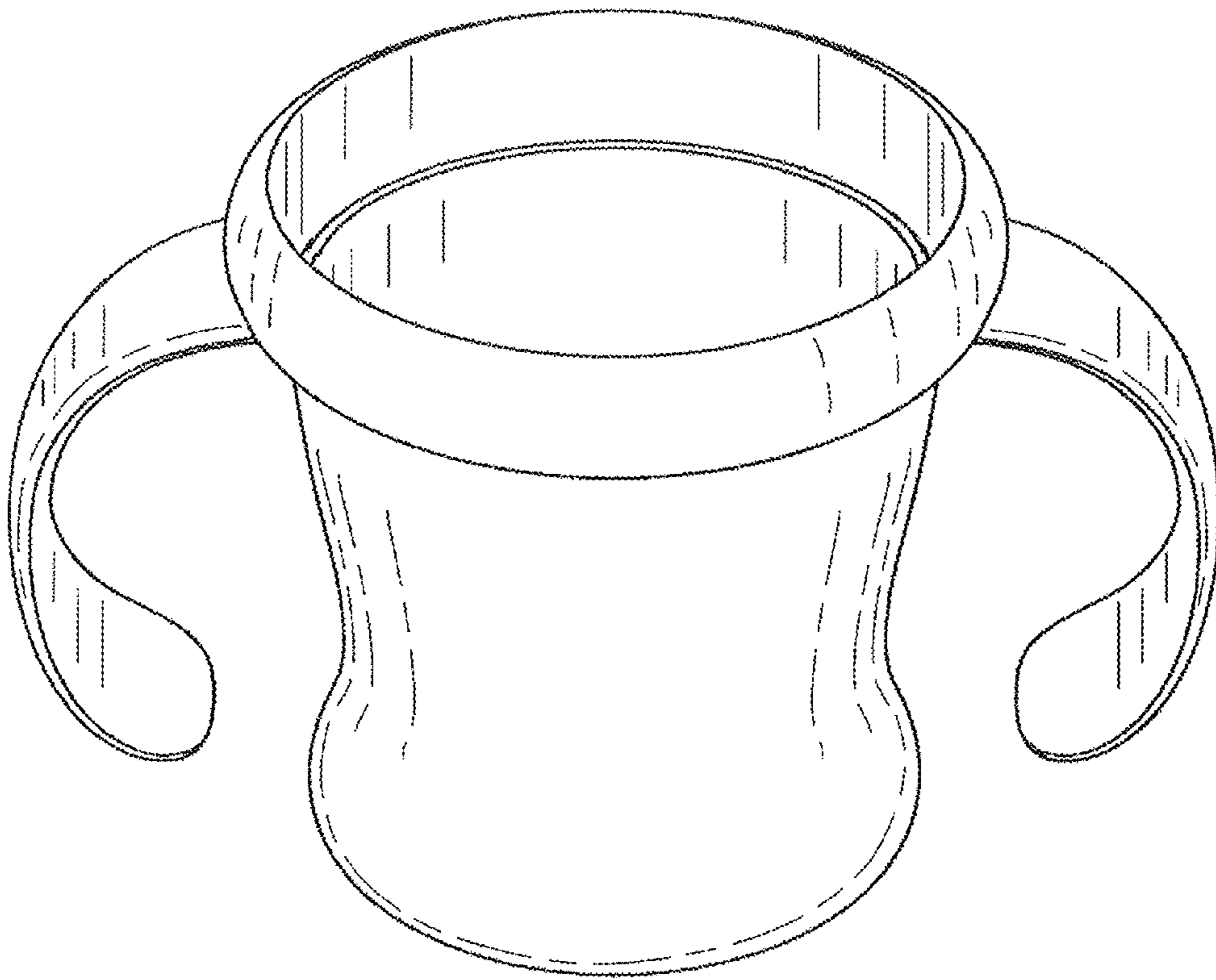


FIG. 1

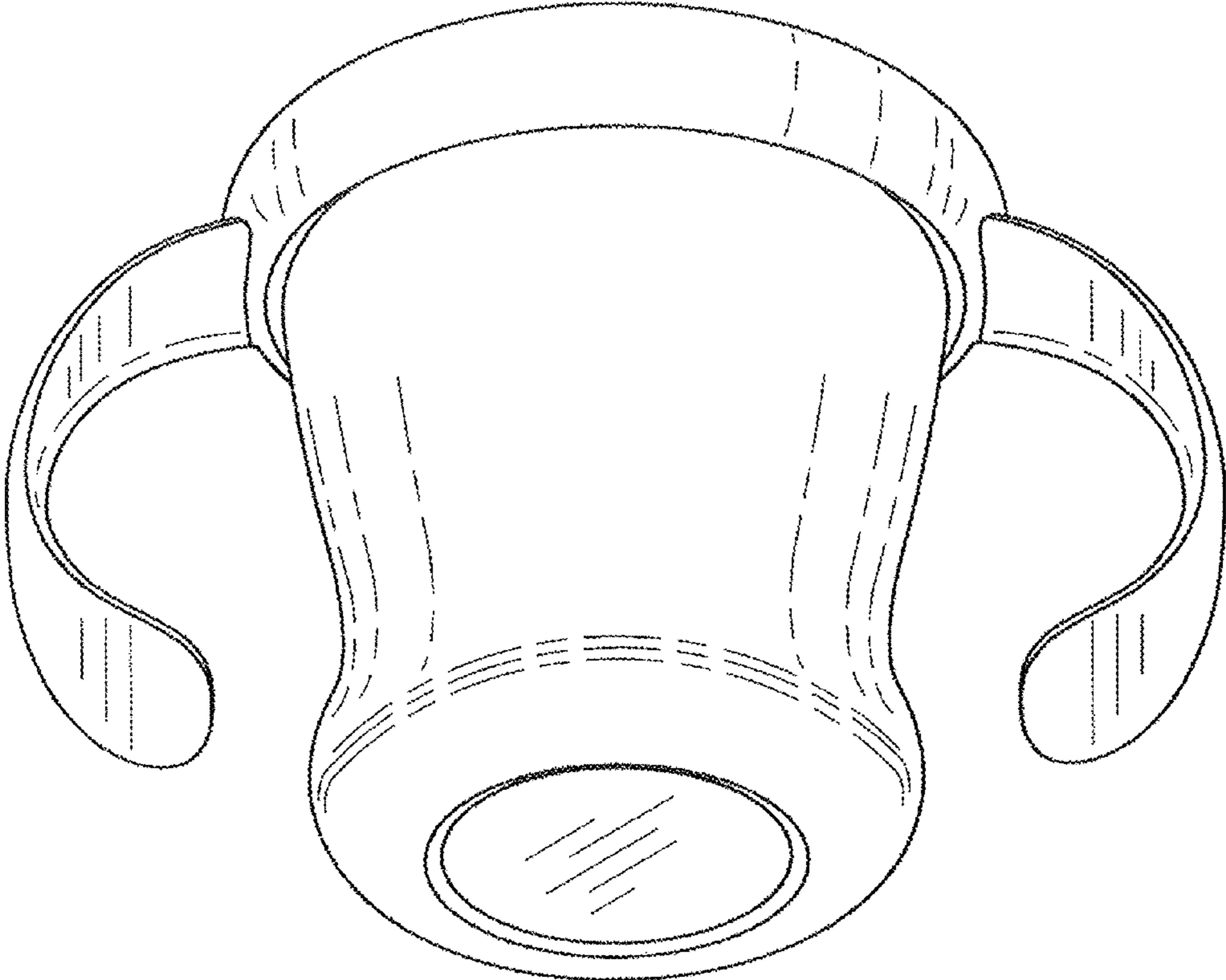


FIG. 2

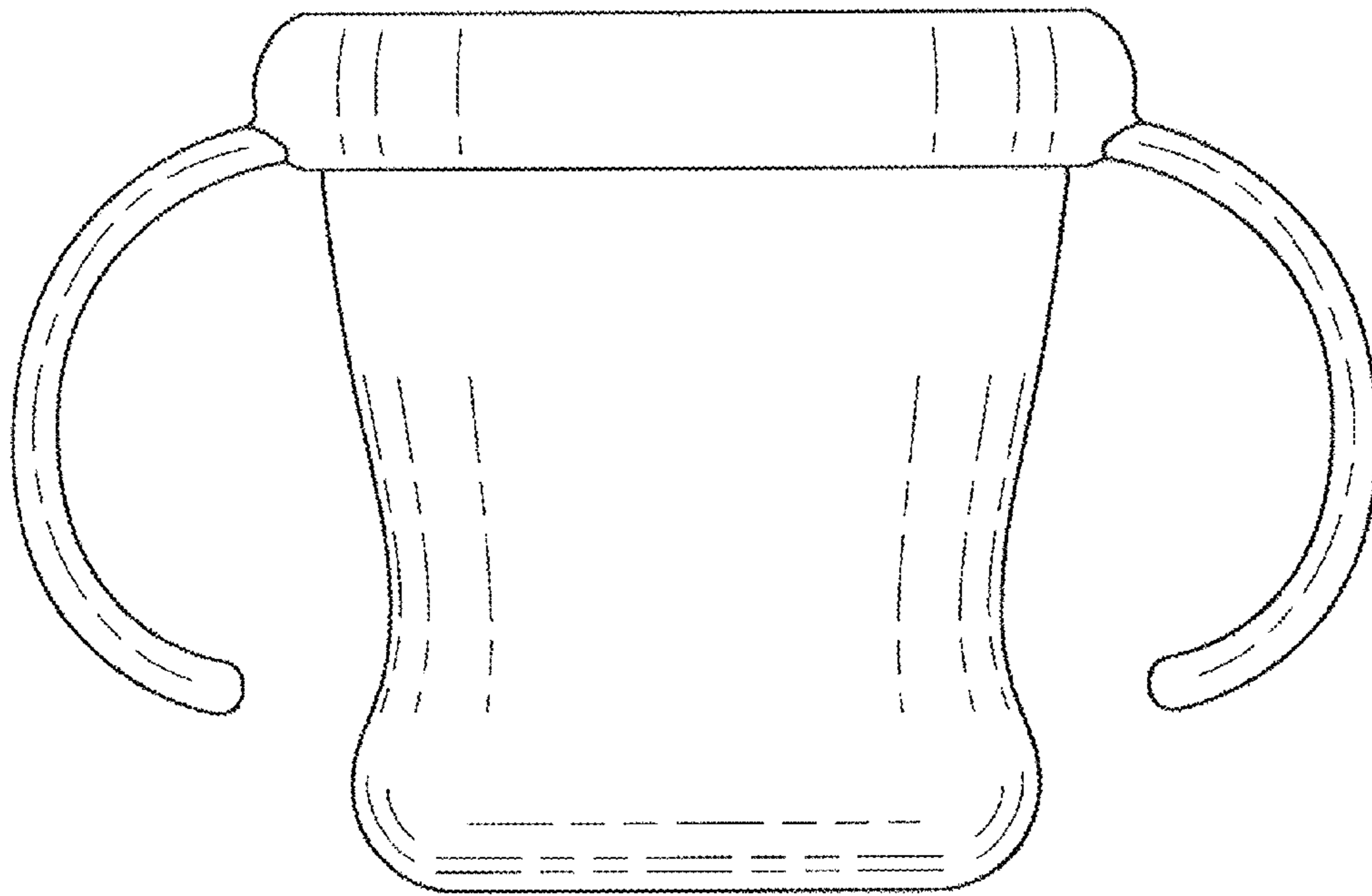


FIG. 3

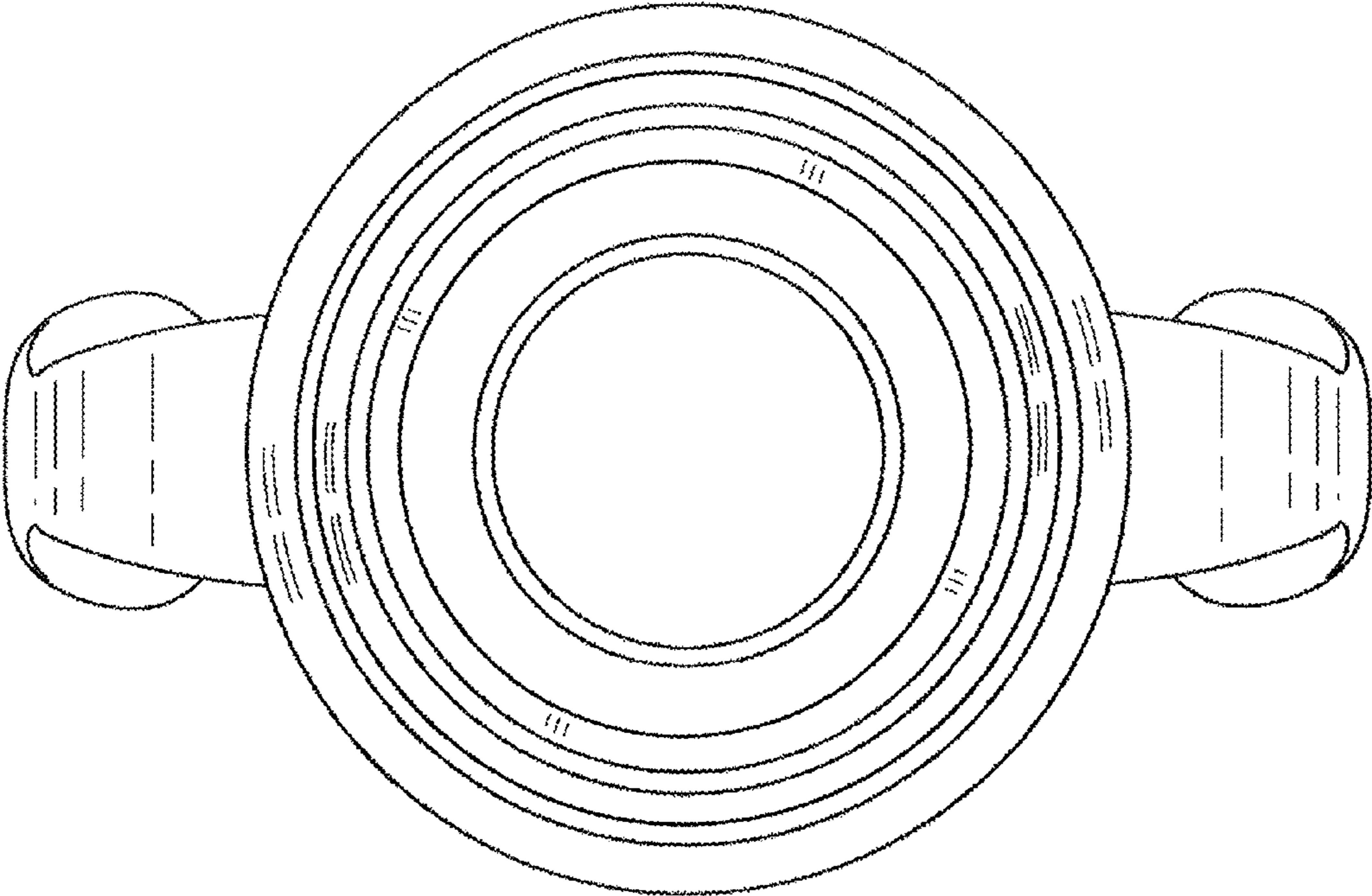


FIG. 4

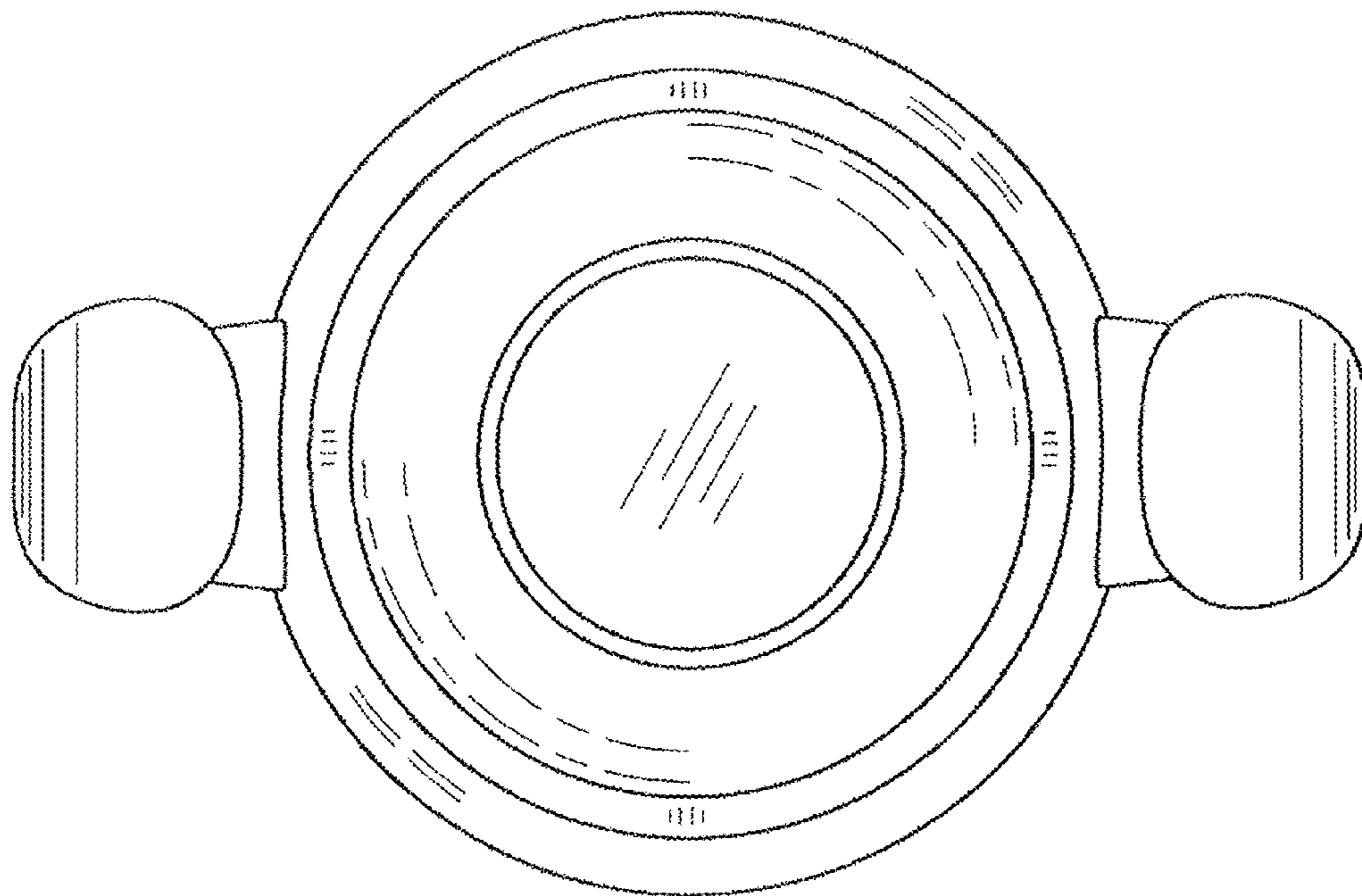


FIG. 5

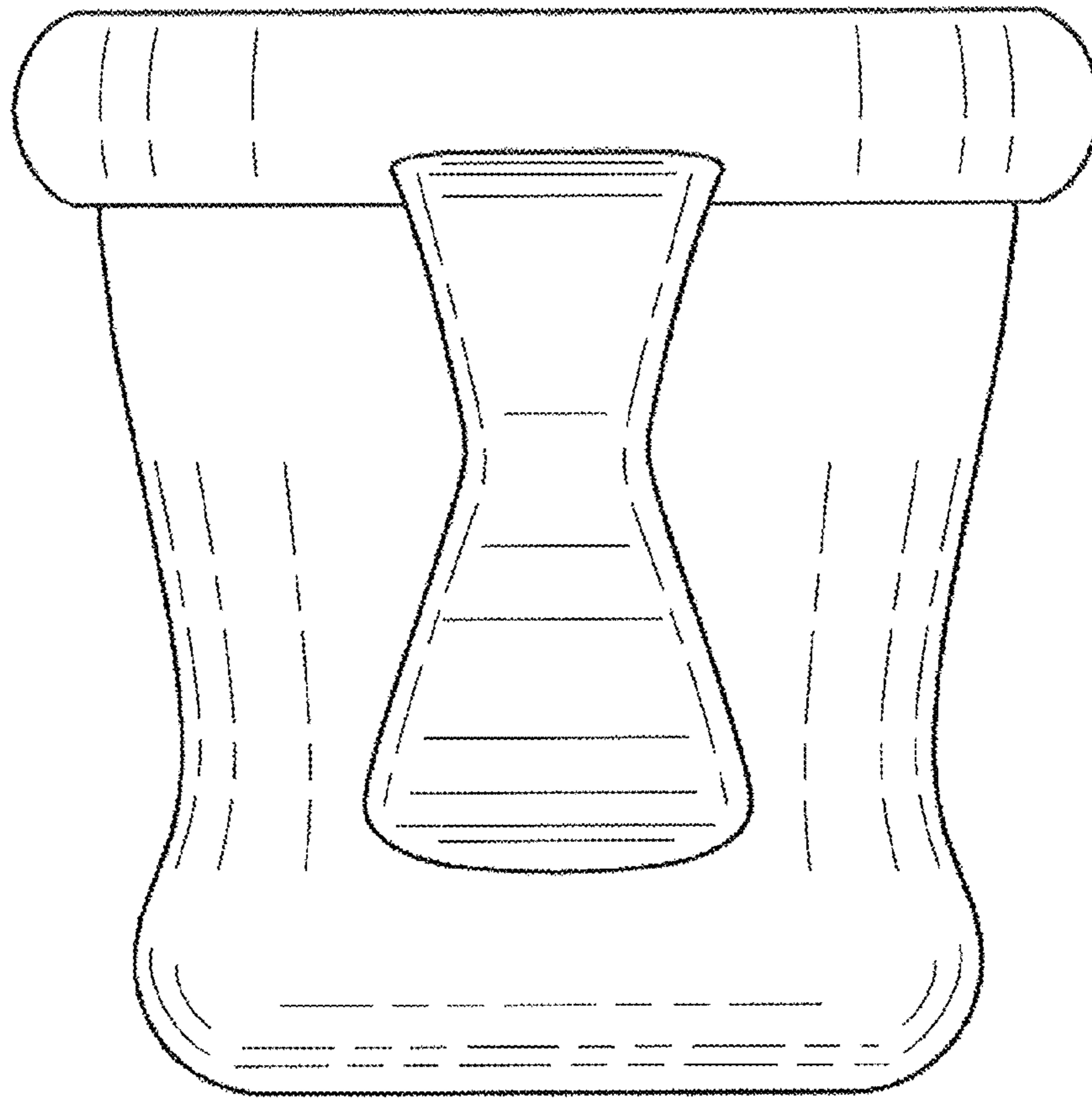


FIG. 6