



US00D750435S

(12) **United States Design Patent**
Hebert

(10) **Patent No.:** **US D750,435 S**
(45) **Date of Patent:** **** Mar. 1, 2016**

- (54) **MUG**
- (71) Applicant: **Eric Michael Hebert**, Harrisburg, NC (US)
- (72) Inventor: **Eric Michael Hebert**, Harrisburg, NC (US)
- (73) Assignee: **Fairly Odd Treasures, LLC.**, Harrisburg, NC (US)
- (**) Term: **14 Years**
- (21) Appl. No.: **29/513,804**
- (22) Filed: **Jan. 6, 2015**
- (51) **LOC (10) Cl.** **07-01**
- (52) **U.S. Cl.**
USPC **D7/515**; D7/533; D7/531
- (58) **Field of Classification Search**
USPC D7/523, 532, 524, 509, 515, 514, 300.1, D7/536, 533, 368, 306, 531, 606, 608; 220/703, 592.16, 592.17; 215/382, 215/13.1; D22/104; 42/70.06
CPC ... A47G 19/22; A47G 19/23; A47G 19/2205; A24F 3/00
See application file for complete search history.

D207,408 S *	4/1967	Levin	D7/515
D303,195 S *	9/1989	Devine	D7/515
D493,068 S *	7/2004	Slater	D7/510
D505,298 S *	5/2005	Holt	D7/515
D617,147 S *	6/2010	White	D22/104
8,257,134 B2 *	9/2012	Zuloff	A63F 5/04 124/37
8,347,539 B2 *	1/2013	Burns, III	F41A 17/54 42/70.06
D697,765 S *	1/2014	Wampold	D7/606
D719,783 S *	12/2014	Eubank	D7/515
D719,784 S *	12/2014	Eubank	D7/515
D721,541 S *	1/2015	Evans	D7/515
D740,608 S *	10/2015	Apel	D7/515
2012/0137559 A1 *	6/2012	Burns, III	F41A 17/54 42/70.06

* cited by examiner

Primary Examiner — Marianne Pandozzi

(56) **References Cited**
U.S. PATENT DOCUMENTS

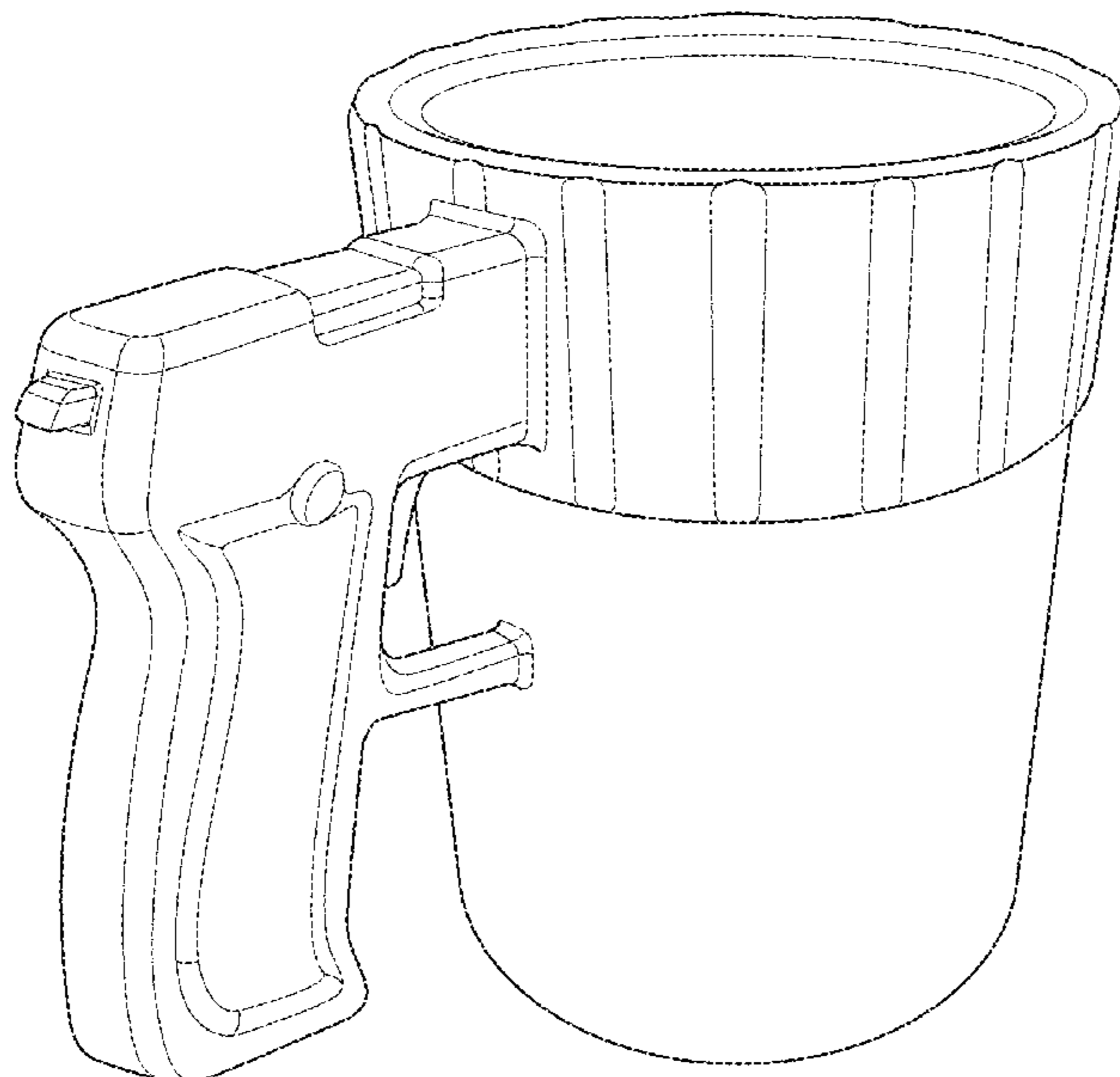
D171,287 S *	1/1954	Alvarez	428/542.4
2,749,727 A *	6/1956	Fabro	A47G 23/0233 215/236

(57) **CLAIM**
The ornamental design for a mug, as shown and described.

DESCRIPTION

FIG. 1 is a perspective view of a mug showing my new design;
FIG. 2 is a back view thereof;
FIG. 3 is a front view thereof;
FIG. 4 is a right side view thereof;
FIG. 5 is a left side view thereof;
FIG. 6 is a top view thereof; and,
FIG. 7 is a bottom view thereof.

1 Claim, 7 Drawing Sheets



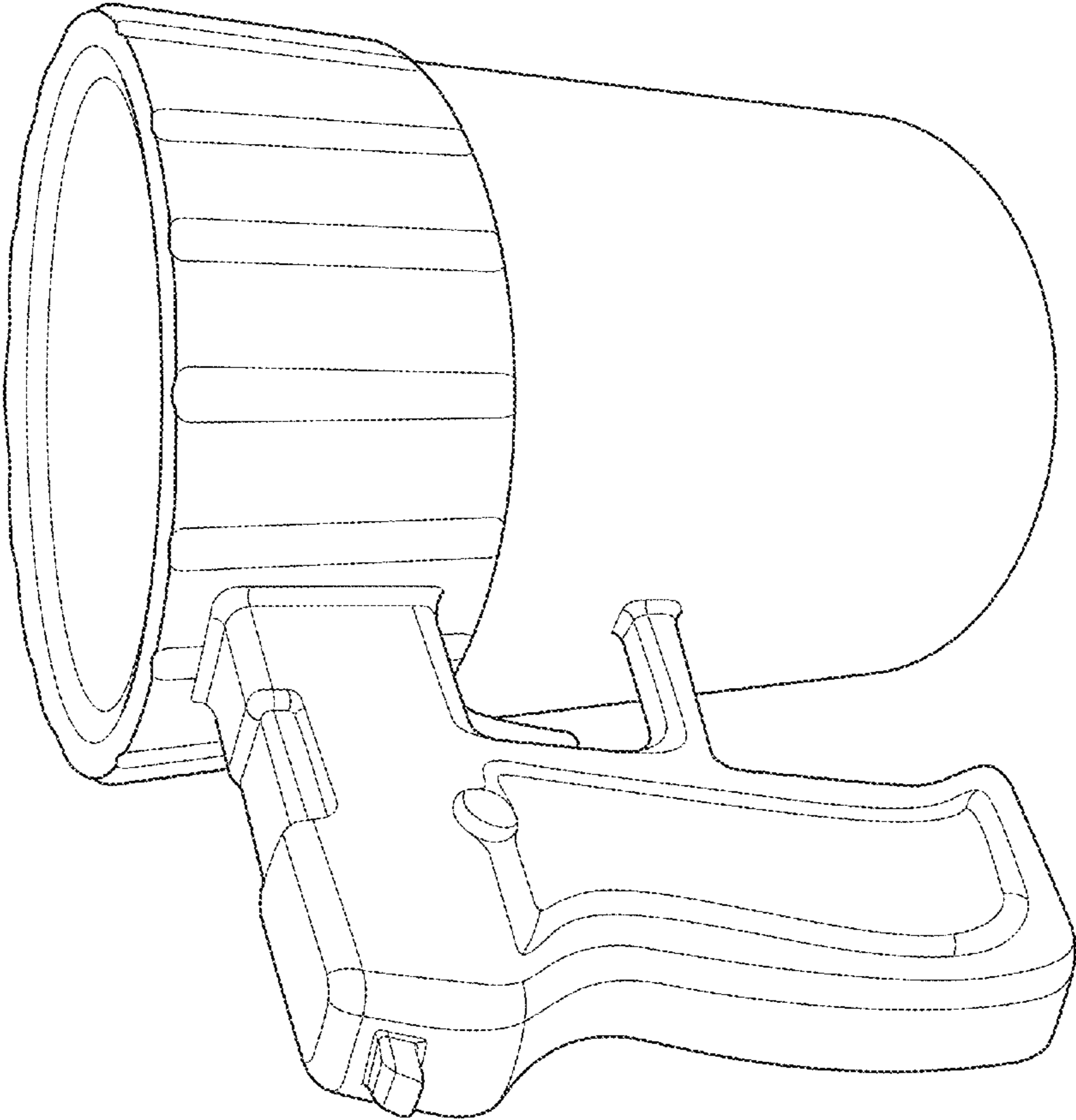


FIG. 1

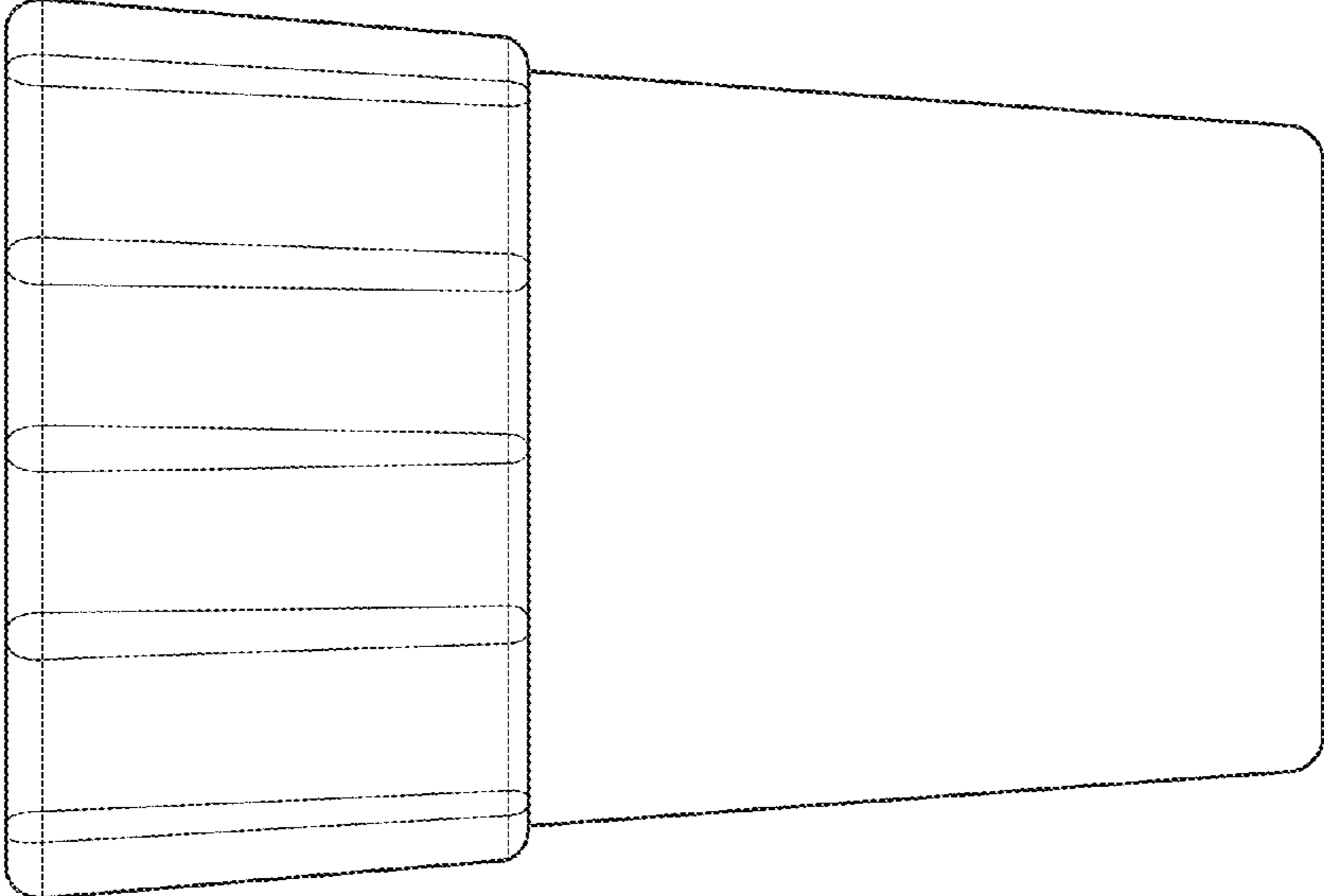


FIG. 2

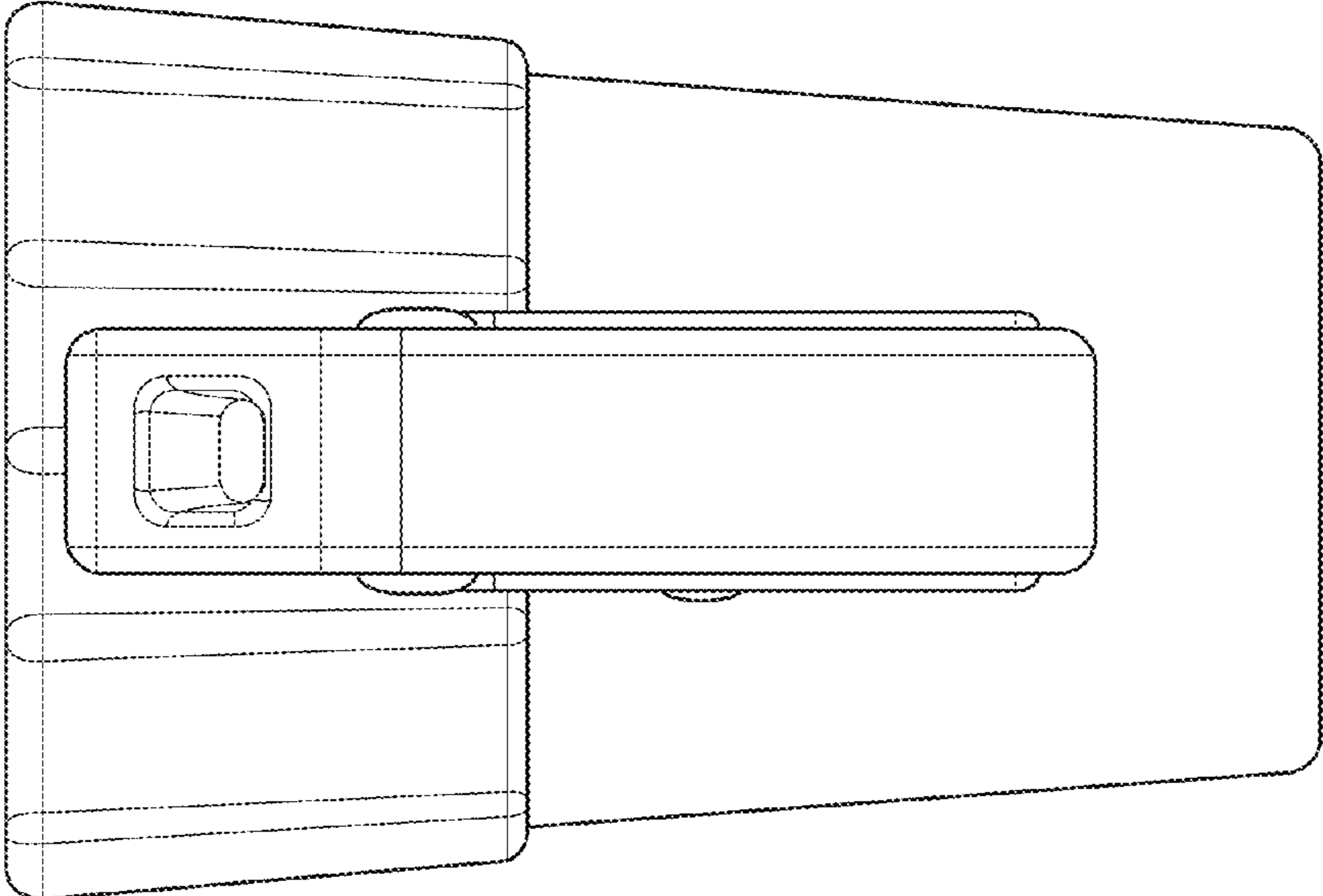


FIG. 3

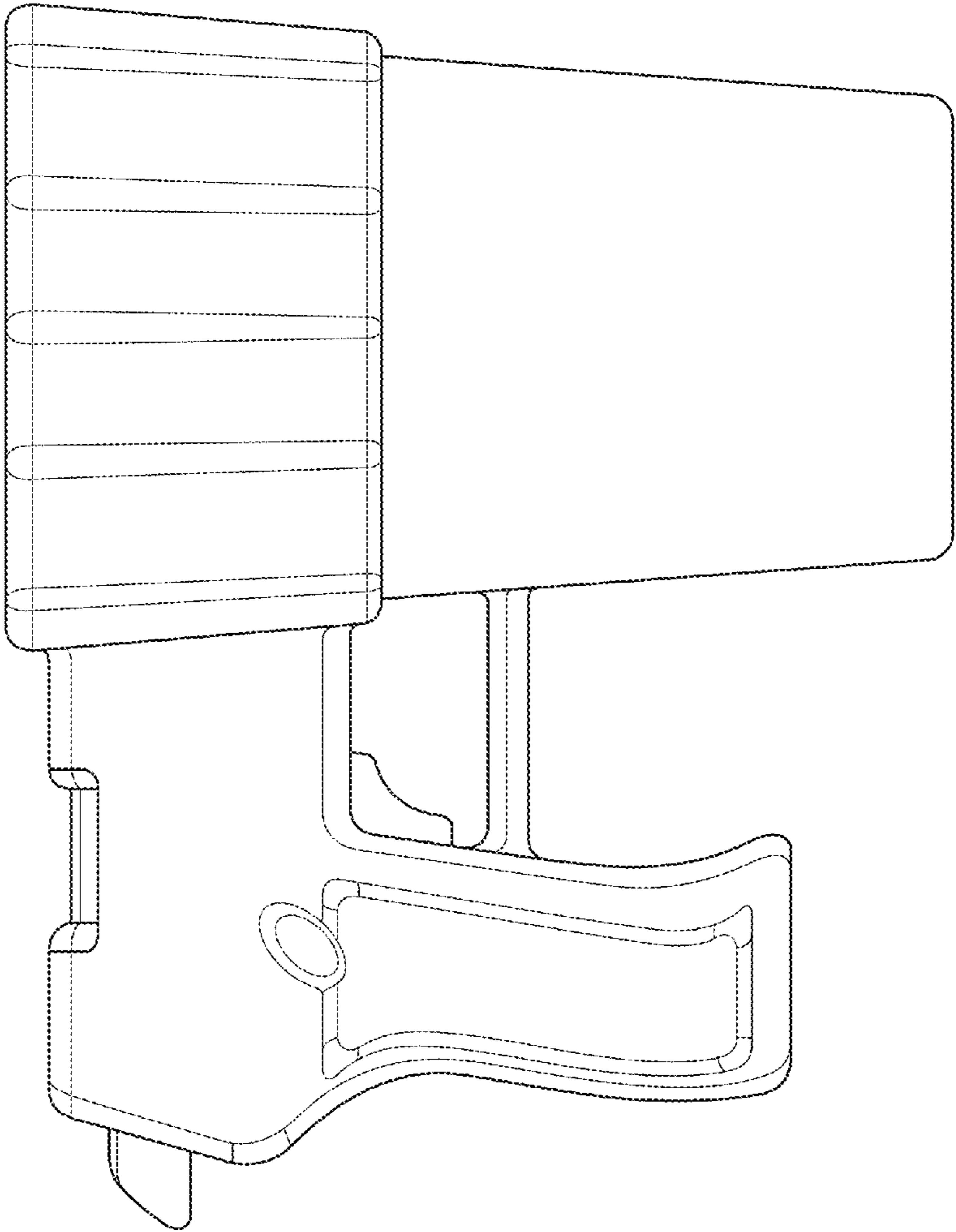


FIG. 4

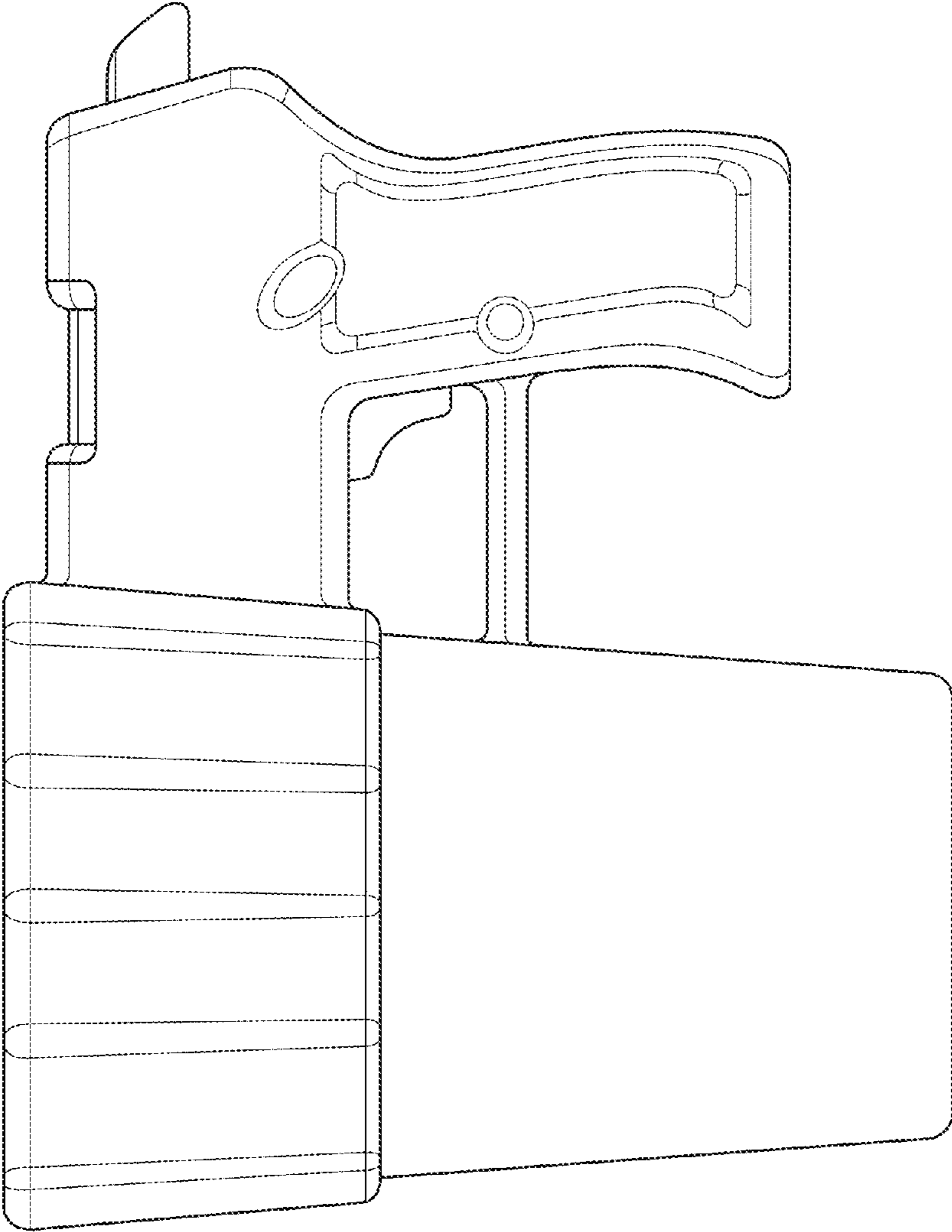


FIG. 5

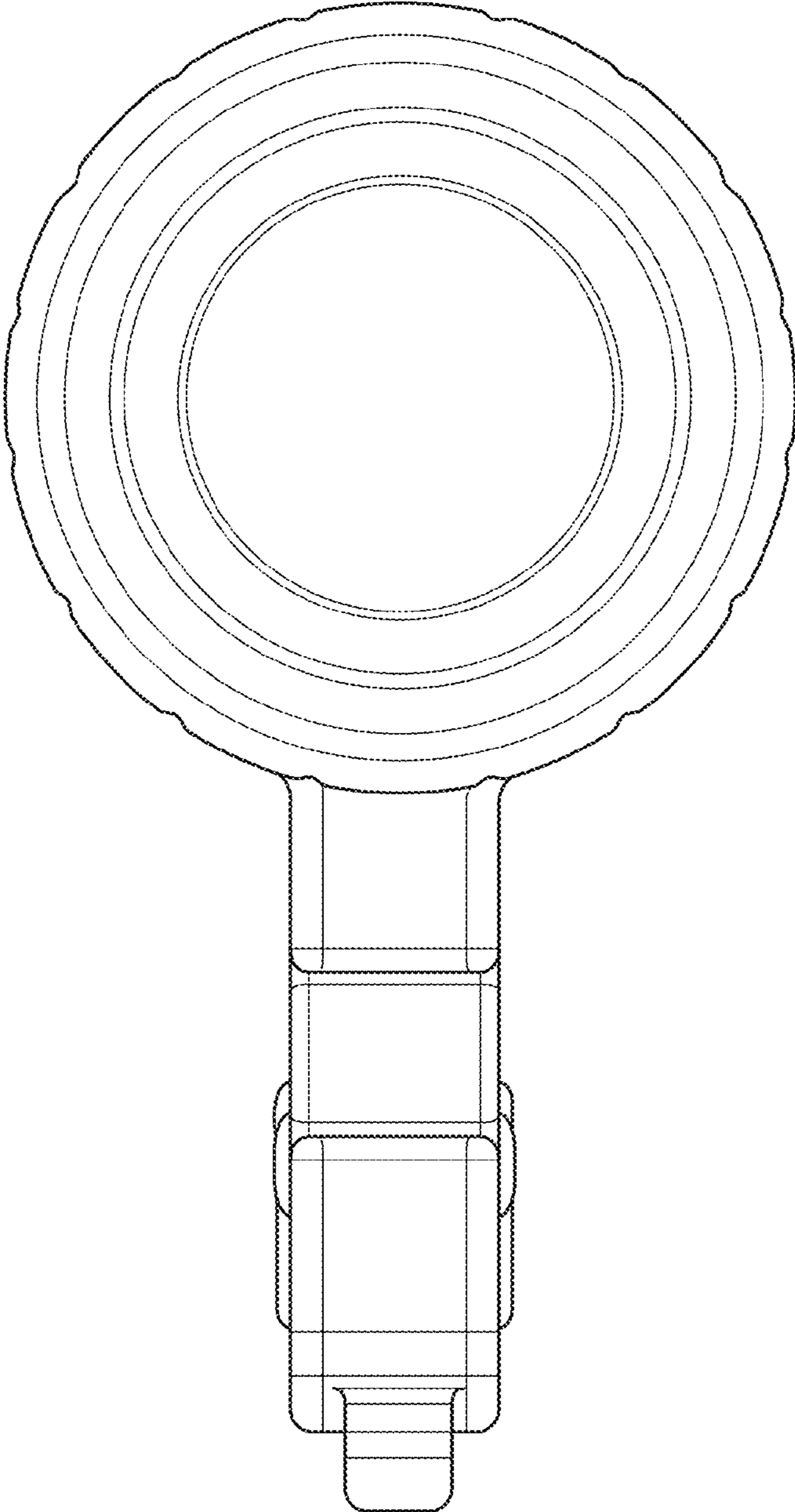


FIG. 6

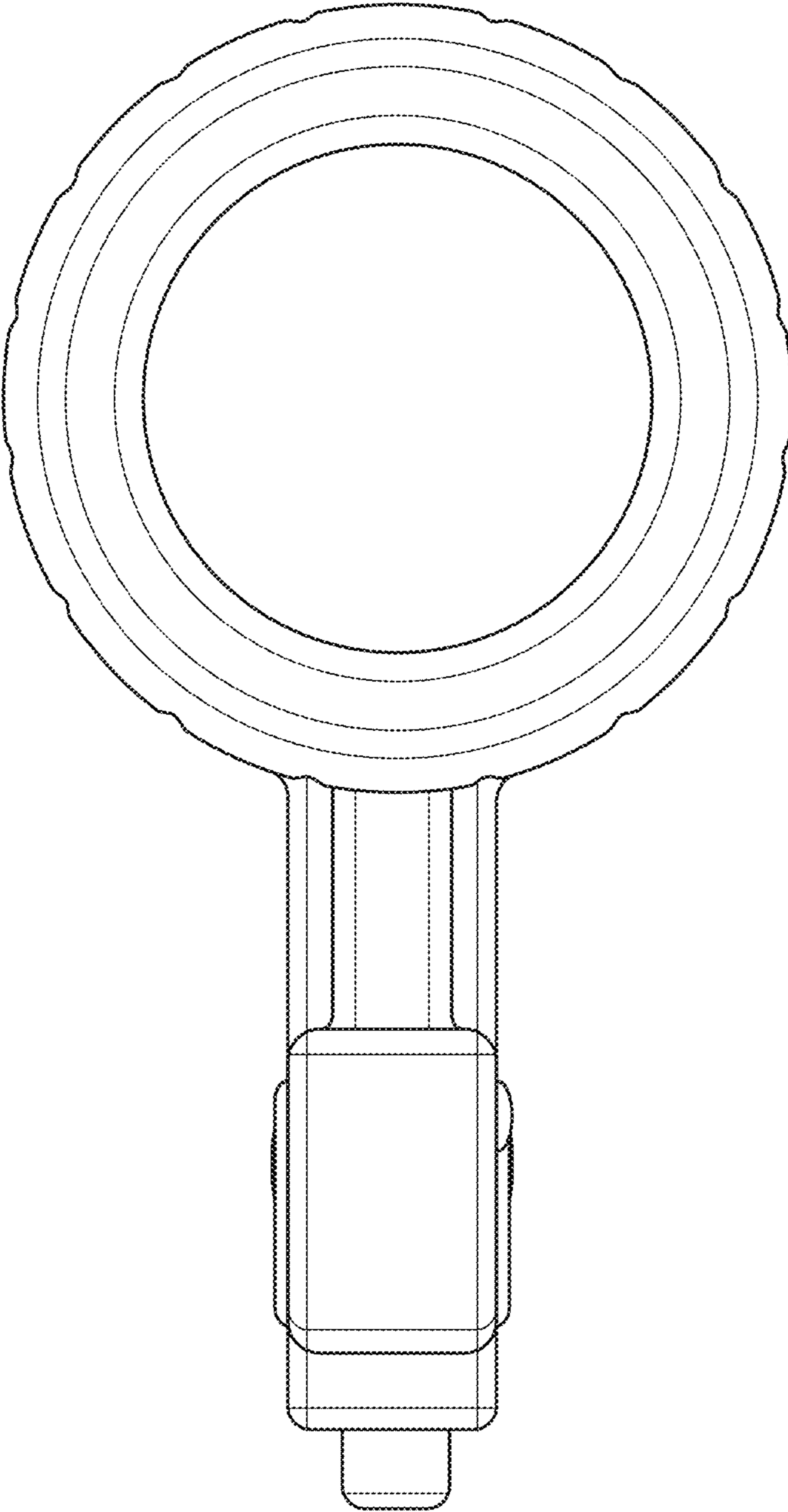


FIG. 7