



US00D750434S

(12) **United States Design Patent**  
**Kirkpatrick**

(10) **Patent No.:** **US D750,434 S**  
(45) **Date of Patent:** **\*\* Mar. 1, 2016**

- (54) **MUG**
- (71) Applicant: **MAMMOTH MUG INC.**, Waterloo (CA)
- (72) Inventor: **Joe Kirkpatrick**, Waterloo (CA)
- (73) Assignee: **MAMMOTH MUG INC.**, Waterloo, ON
- (\*\*) Term: **15 Years**
- (21) Appl. No.: **29/545,906**
- (22) Filed: **Nov. 17, 2015**
- (51) **LOC (10) Cl.** ..... **07-01**
- (52) **U.S. Cl.**  
USPC ..... **D7/510; D7/511; D9/531**
- (58) **Field of Classification Search**  
USPC ..... D7/300.1, 376, 378, 510, 511, 900, 536, D7/317, 318, 319; D9/443, 449, 396.2, D9/392.1, 531, 540, 557, 549; 220/703, 220/710, 705, 596.16, 592.17, 713  
CPC ..... B65D 53/00; B65D 51/16; A47G 19/22  
See application file for complete search history.

(56) **References Cited**

**U.S. PATENT DOCUMENTS**

D351,312 S	10/1994	Sharon et al.	
D355,367 S *	2/1995	Rokus .....	D9/531
D361,039 S *	8/1995	Rokus .....	D9/531
D375,062 S	10/1996	Cheiky	
D387,661 S	12/1997	Adams et al.	
D397,942 S *	9/1998	Lewis .....	D9/531
D419,885 S *	2/2000	Gonzalez C. ....	D9/531
D433,636 S *	11/2000	Gonzalez C. ....	D9/531
D470,014 S	2/2003	Soehnlen	
D471,457 S *	3/2003	Deichler .....	D9/502
D474,692 S *	5/2003	Yu .....	D9/531
D487,701 S *	3/2004	Thibodeau .....	D9/531
D490,653 S	6/2004	Kleckauskas et al.	
D496,222 S *	9/2004	Kleckauskas .....	D7/507
D531,512 S *	11/2006	Yu .....	D9/531

D574,193 S	8/2008	Galvin	
D580,226 S	11/2008	Homma	
D592,517 S *	5/2009	Brown .....	D9/531
D605,946 S *	12/2009	Manderfield, Jr. ....	D9/531
D624,822 S *	10/2010	Lovelace, Jr. ....	D9/531
D644,065 S *	8/2011	Llerena .....	D7/300.1
D646,045 S *	9/2011	Stamper .....	D99/35
D651,854 S *	1/2012	Cabados .....	D7/510
D655,131 S *	3/2012	Nilsson .....	D7/392.1
D656,361 S	3/2012	Gilbert	
D658,445 S	5/2012	Carreno	
D666,047 S *	8/2012	Lin .....	D7/300.1
D674,101 S	1/2013	Smith	
D683,183 S	5/2013	Dunn et al.	
D685,609 S	7/2013	Dunn et al.	
D688,520 S	8/2013	Lin	
D699,996 S *	2/2014	De Leo .....	D7/300.1
D719,028 S *	12/2014	Tiet .....	D9/531
D719,452 S *	12/2014	Tiet .....	D9/531
D726,018 S *	4/2015	Archer .....	D9/446
D730,123 S *	5/2015	He .....	D7/511
D745,799 S *	12/2015	Lipson .....	D7/300

\* cited by examiner

*Primary Examiner* — Marianne Pandozzi

(74) *Attorney, Agent, or Firm* — Carlson, Gaskey & Olds P.C.

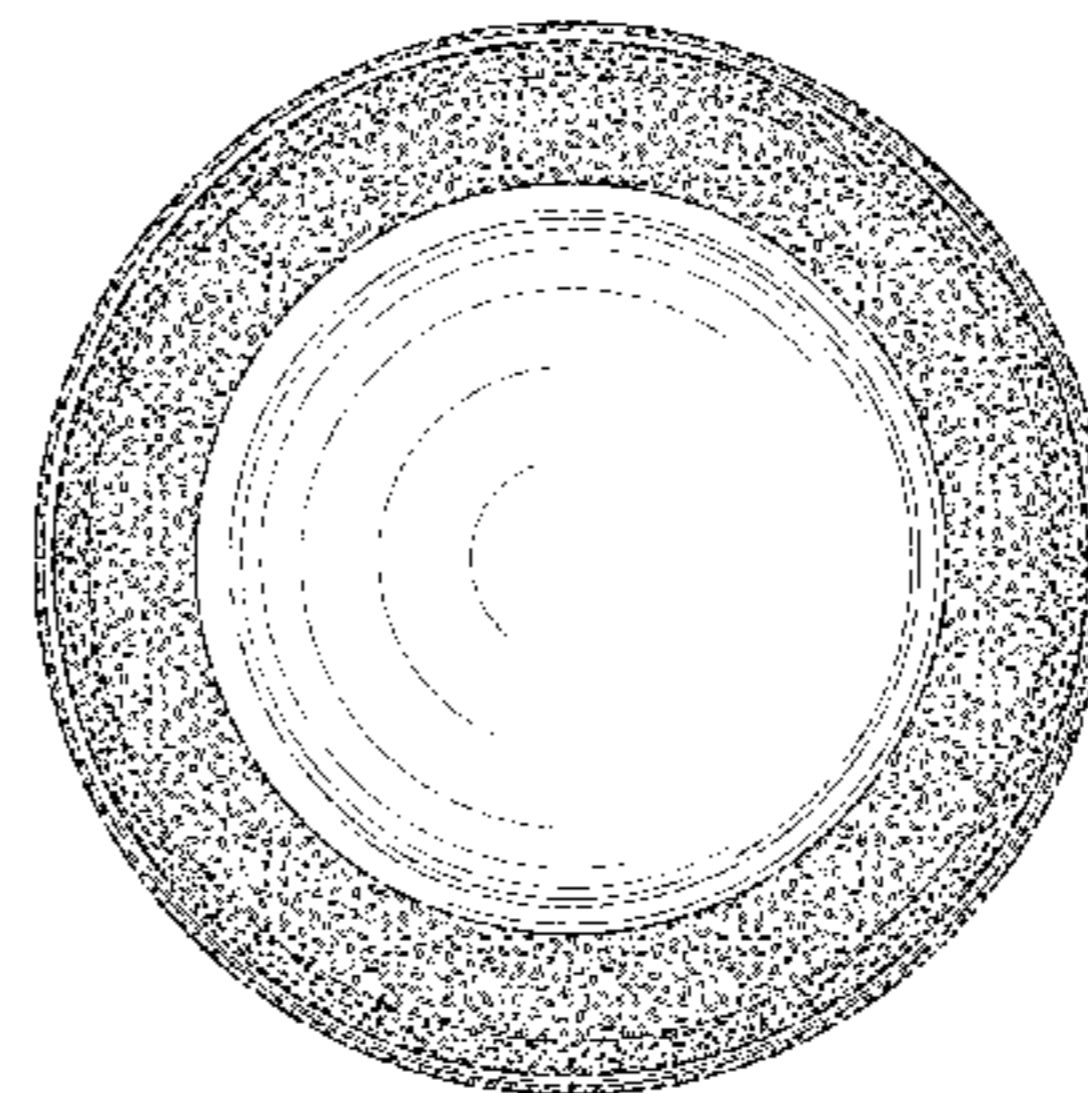
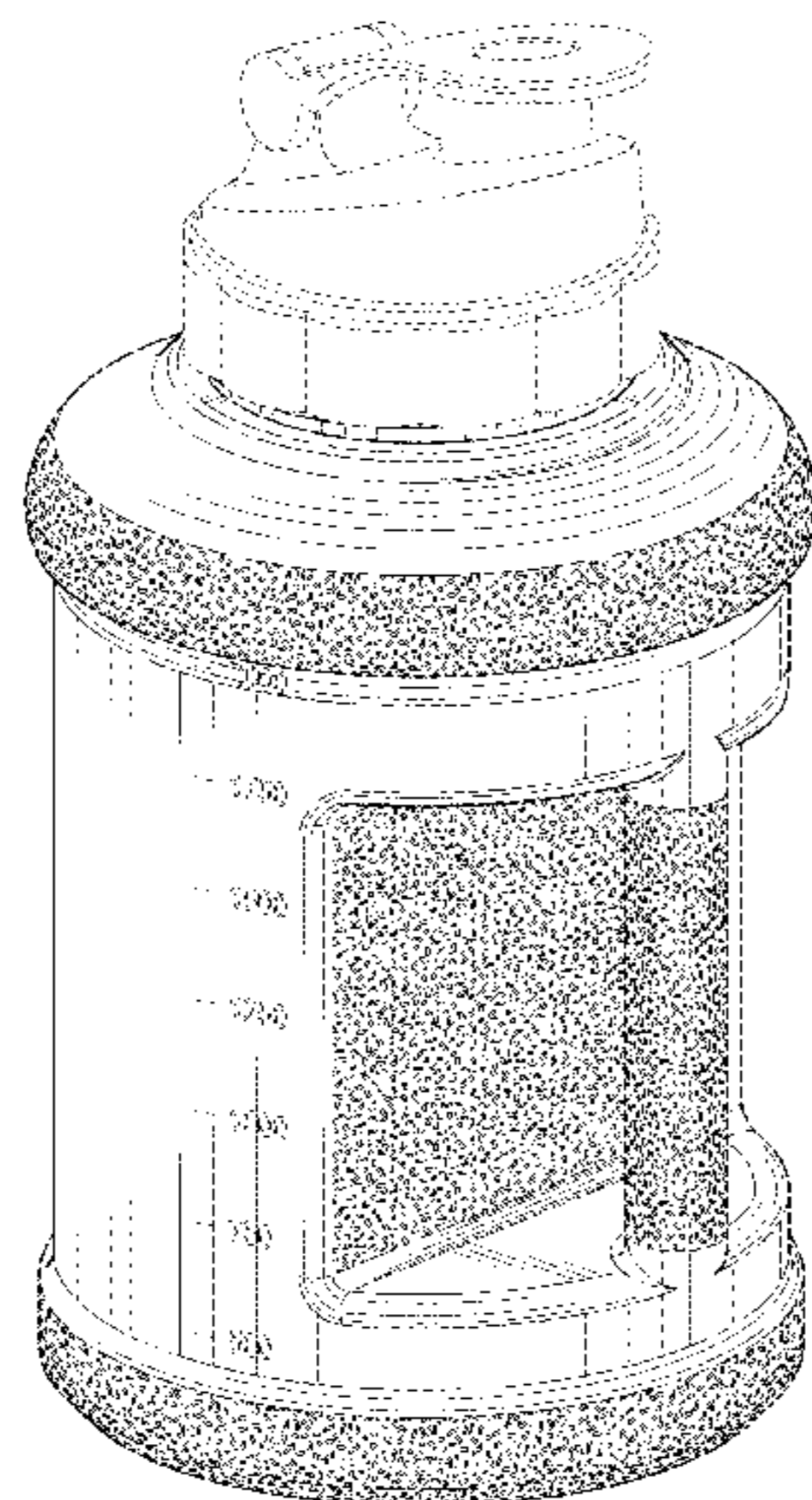
(57) **CLAIM**

The ornamental design for a mug, as shown and described.

**DESCRIPTION**

FIG. 1 is a perspective view of a mug in accordance with the present invention.  
 FIG. 2 is a rear elevational view thereof;  
 FIG. 3 is a front elevational view thereof;  
 FIG. 4 is a left side elevational view thereof;  
 FIG. 5 is a right side elevational view thereof;  
 FIG. 6 is a top plan view thereof;  
 FIG. 7 is a bottom plan view thereof; and,  
 FIG. 8 is an exploded perspective view thereof.  
 The broken line depict portion of the mug that forms no part of the claimed design.

**1 Claim, 7 Drawing Sheets**



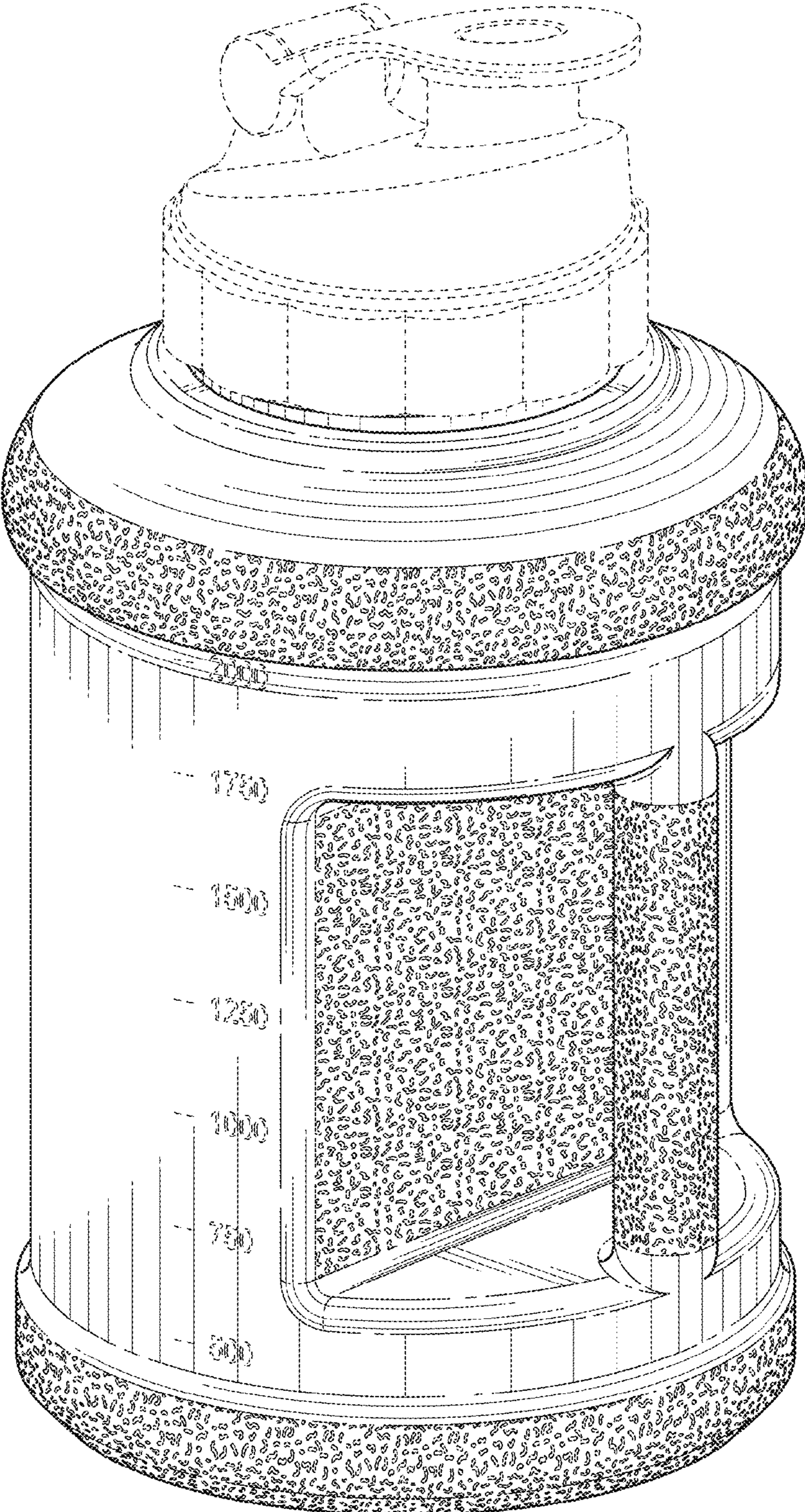


FIG. 1

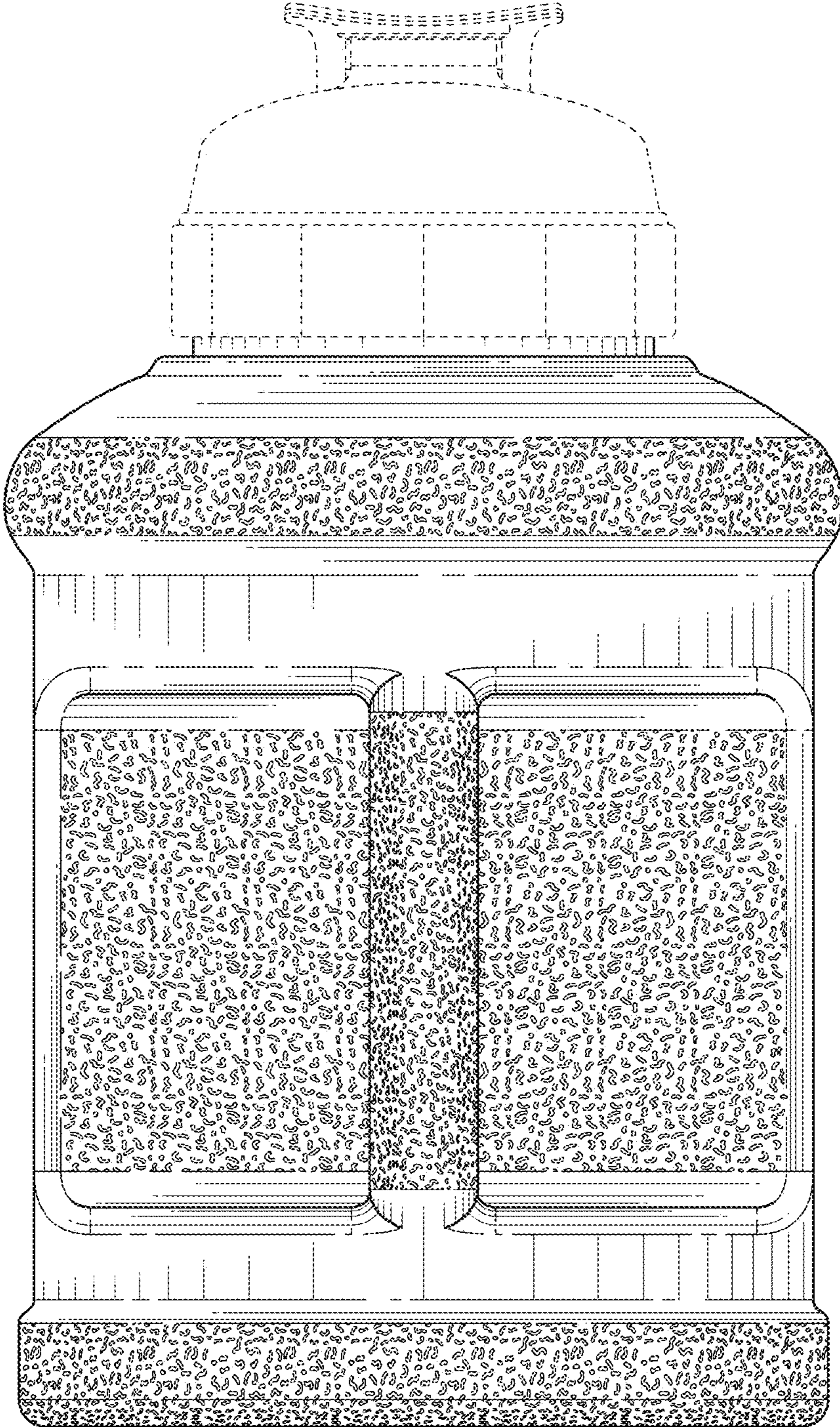


FIG. 2

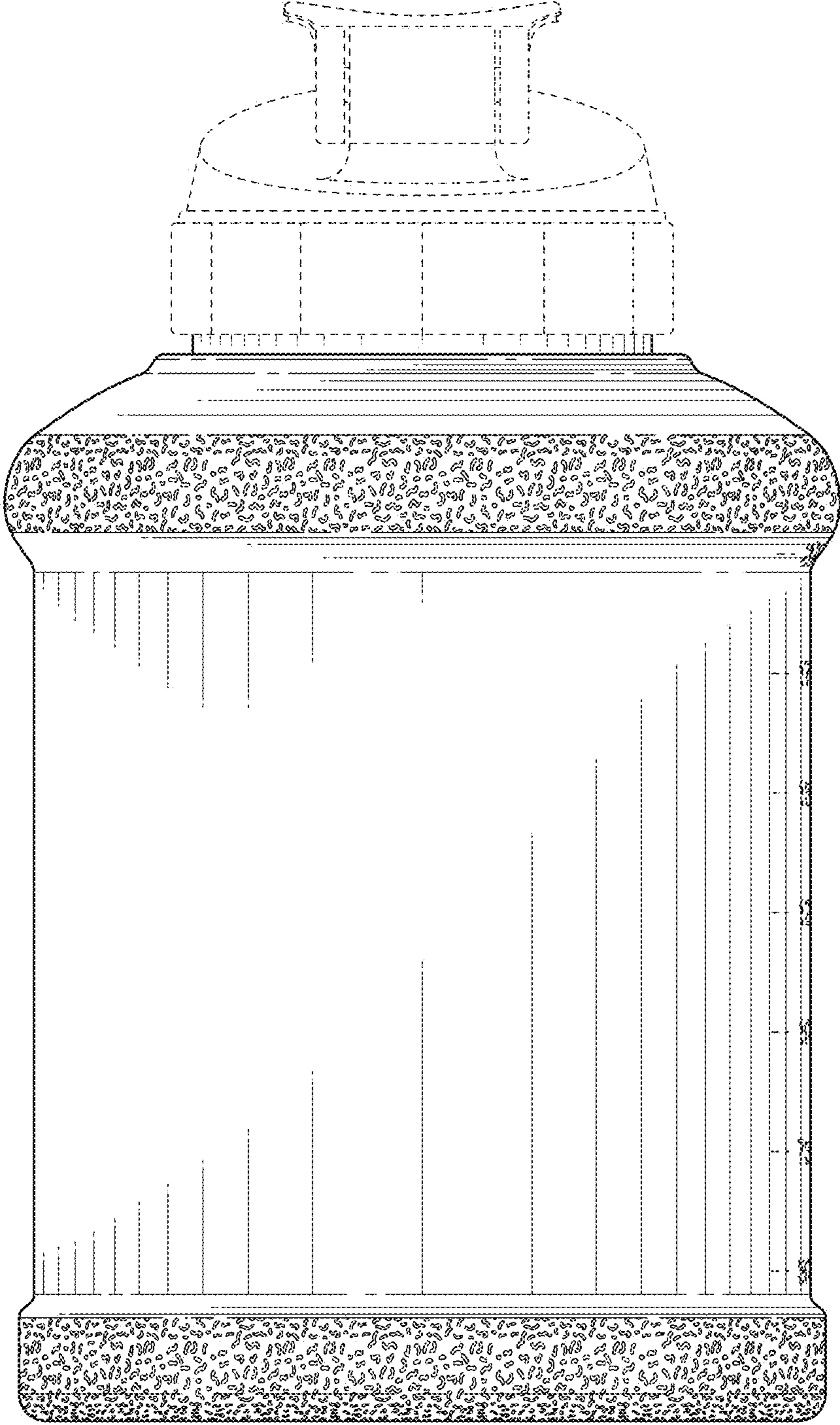


FIG. 3

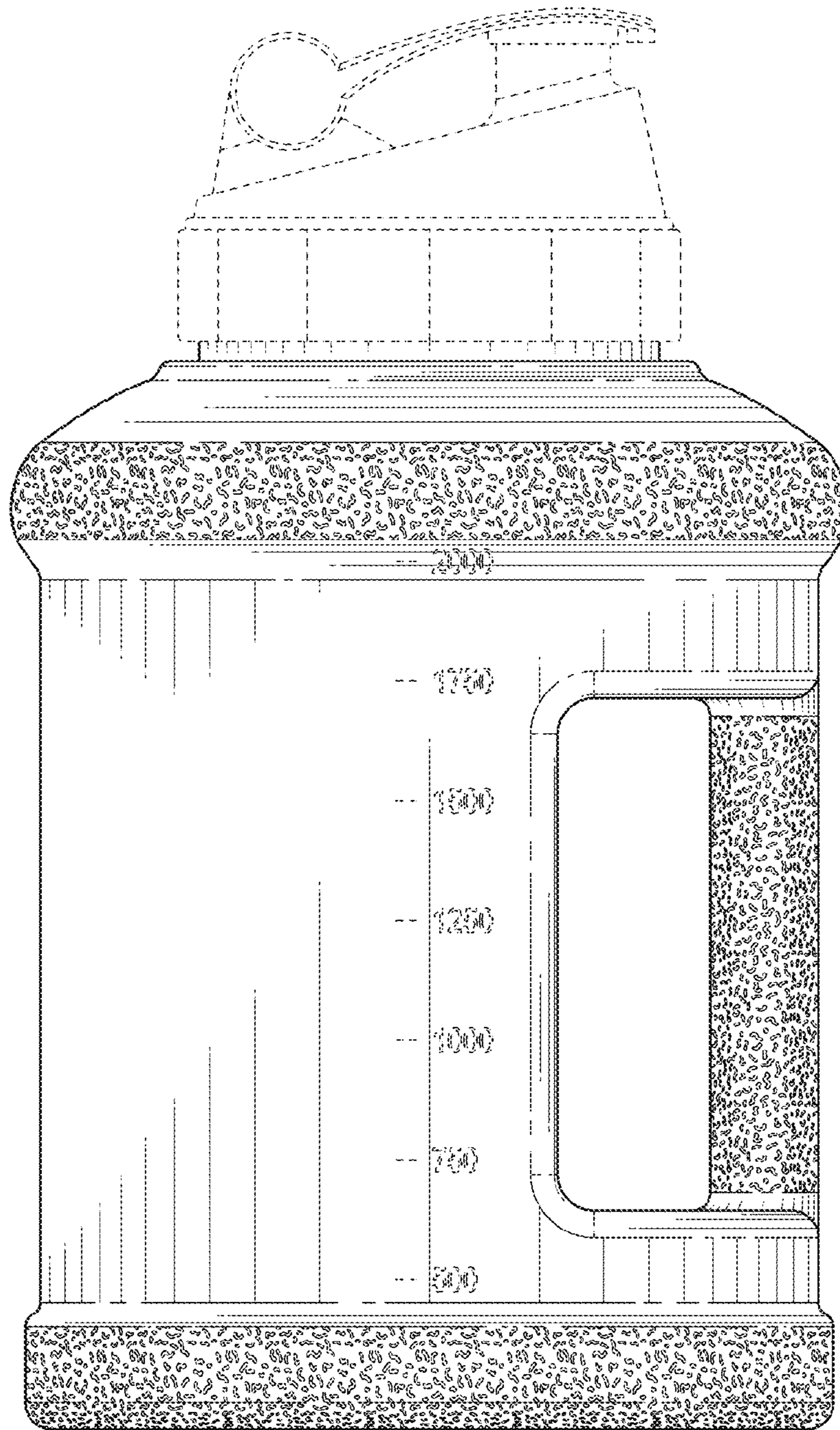


FIG. 4

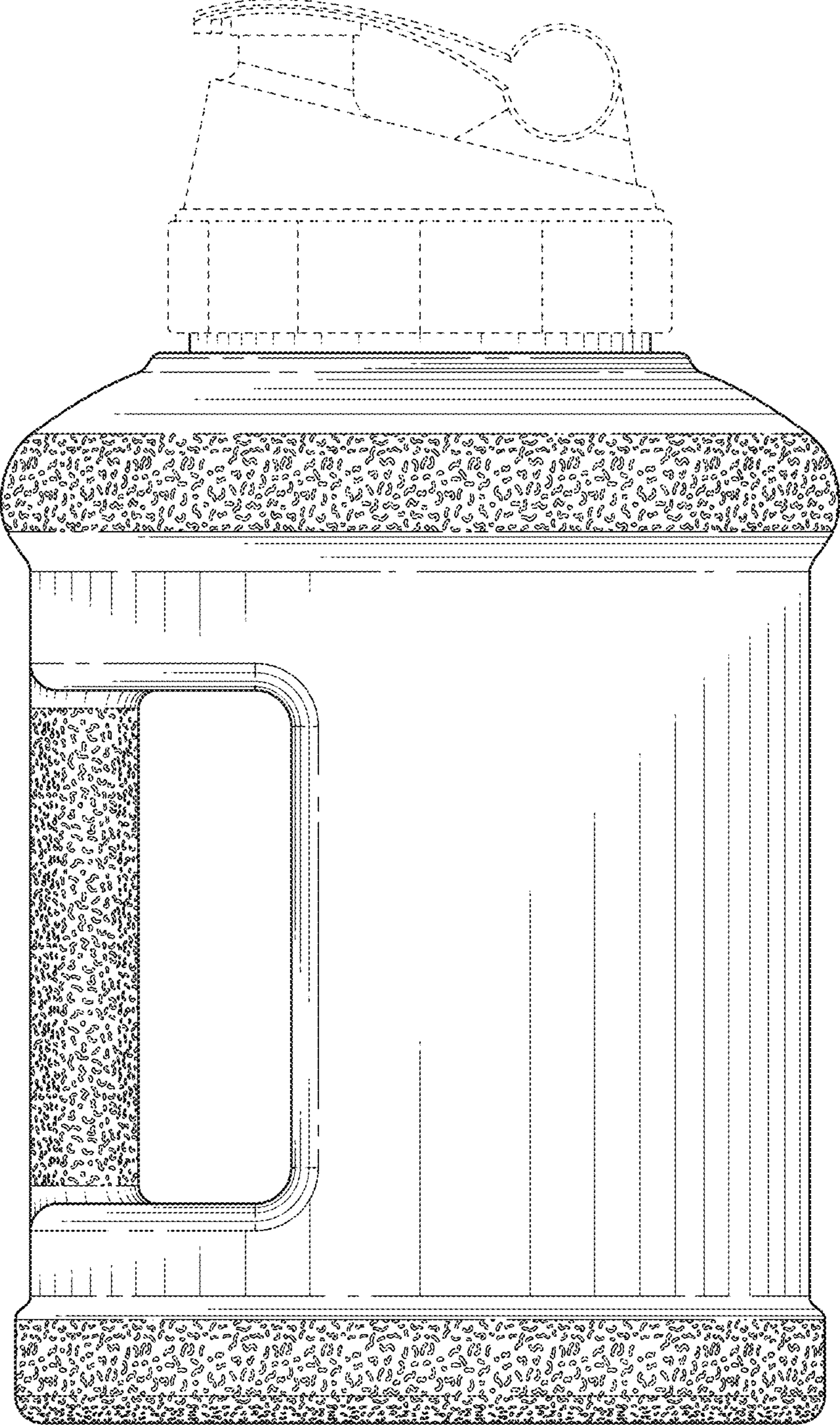


FIG. 5

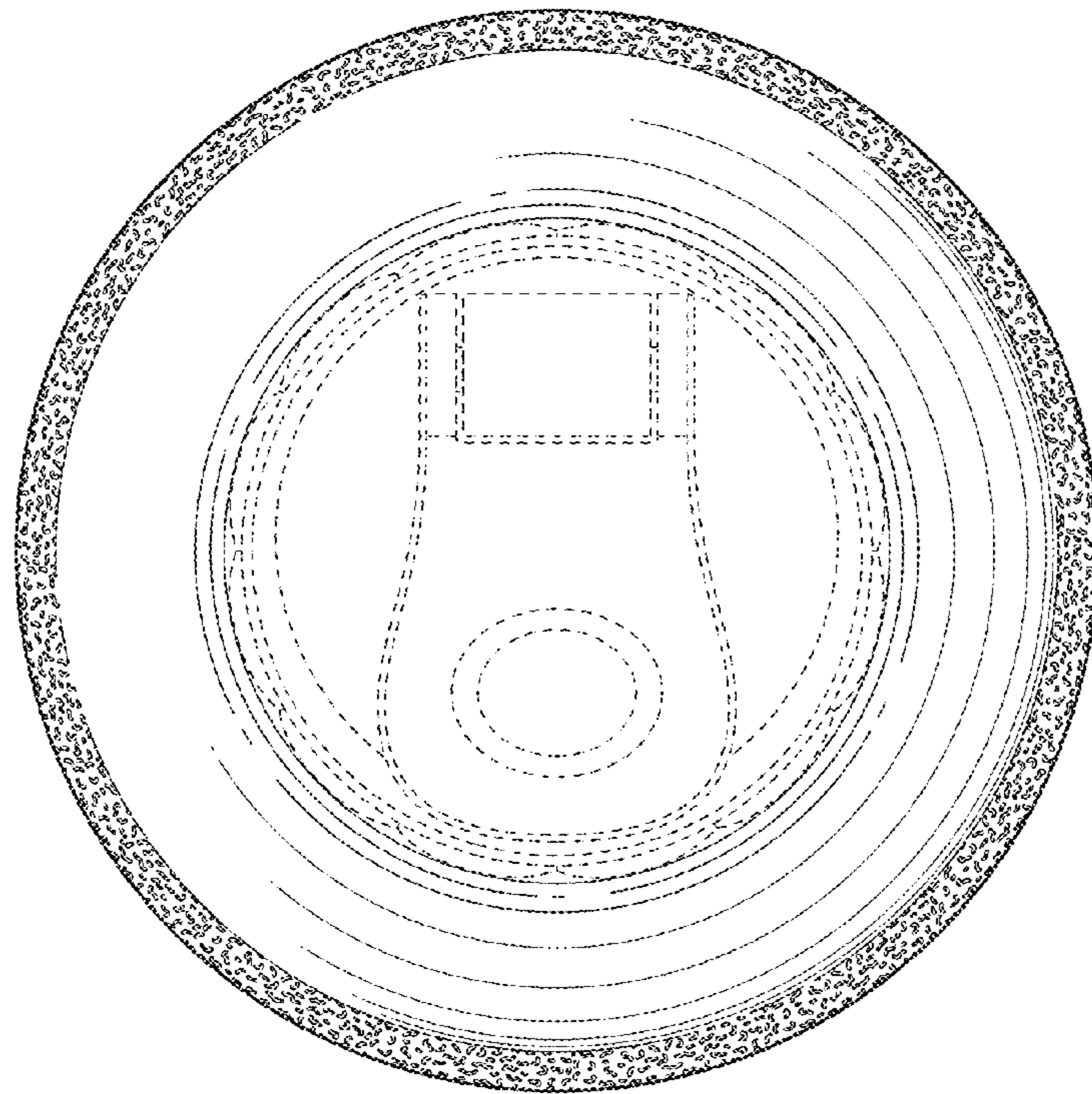


FIG. 6

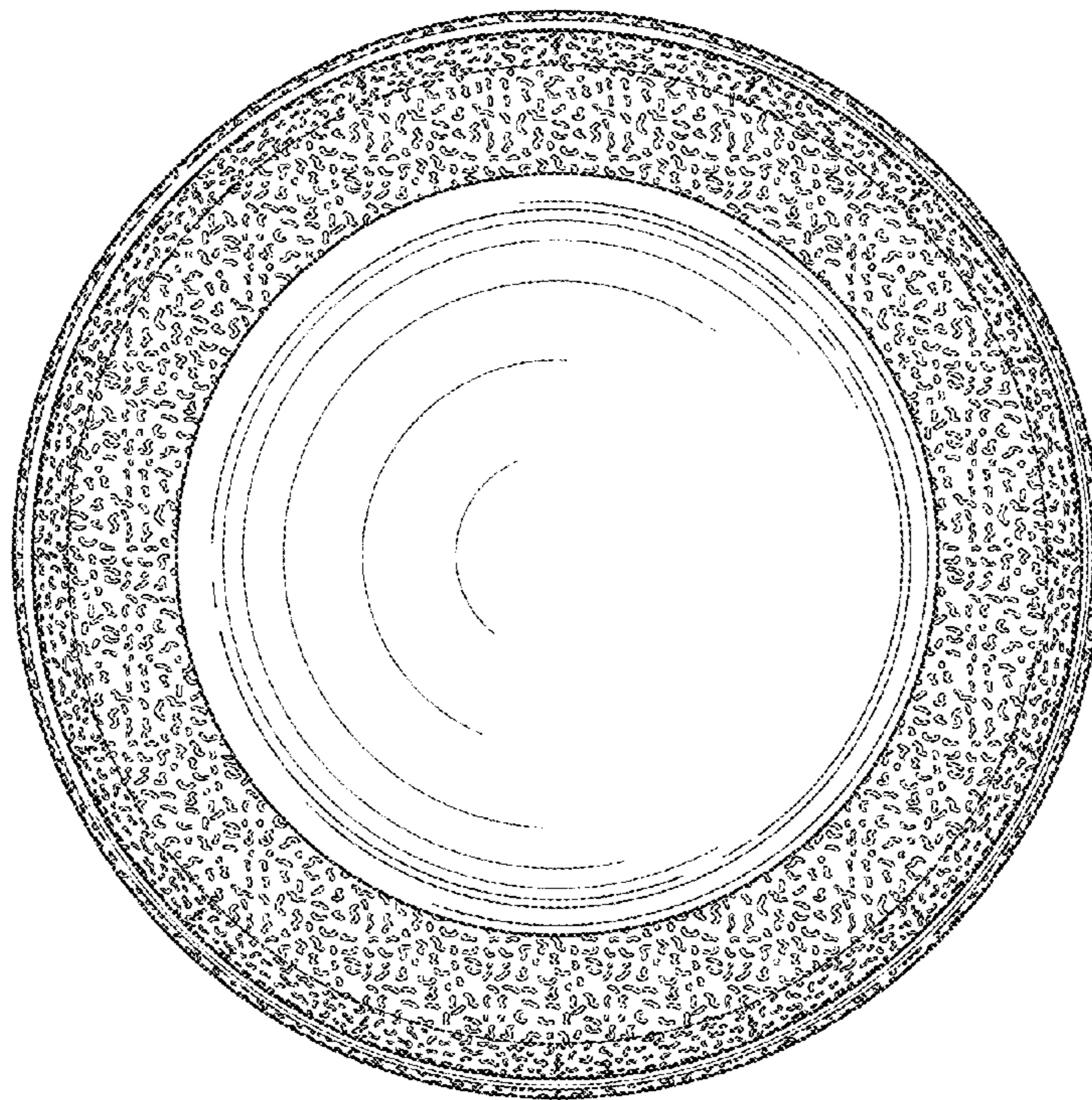


FIG. 7

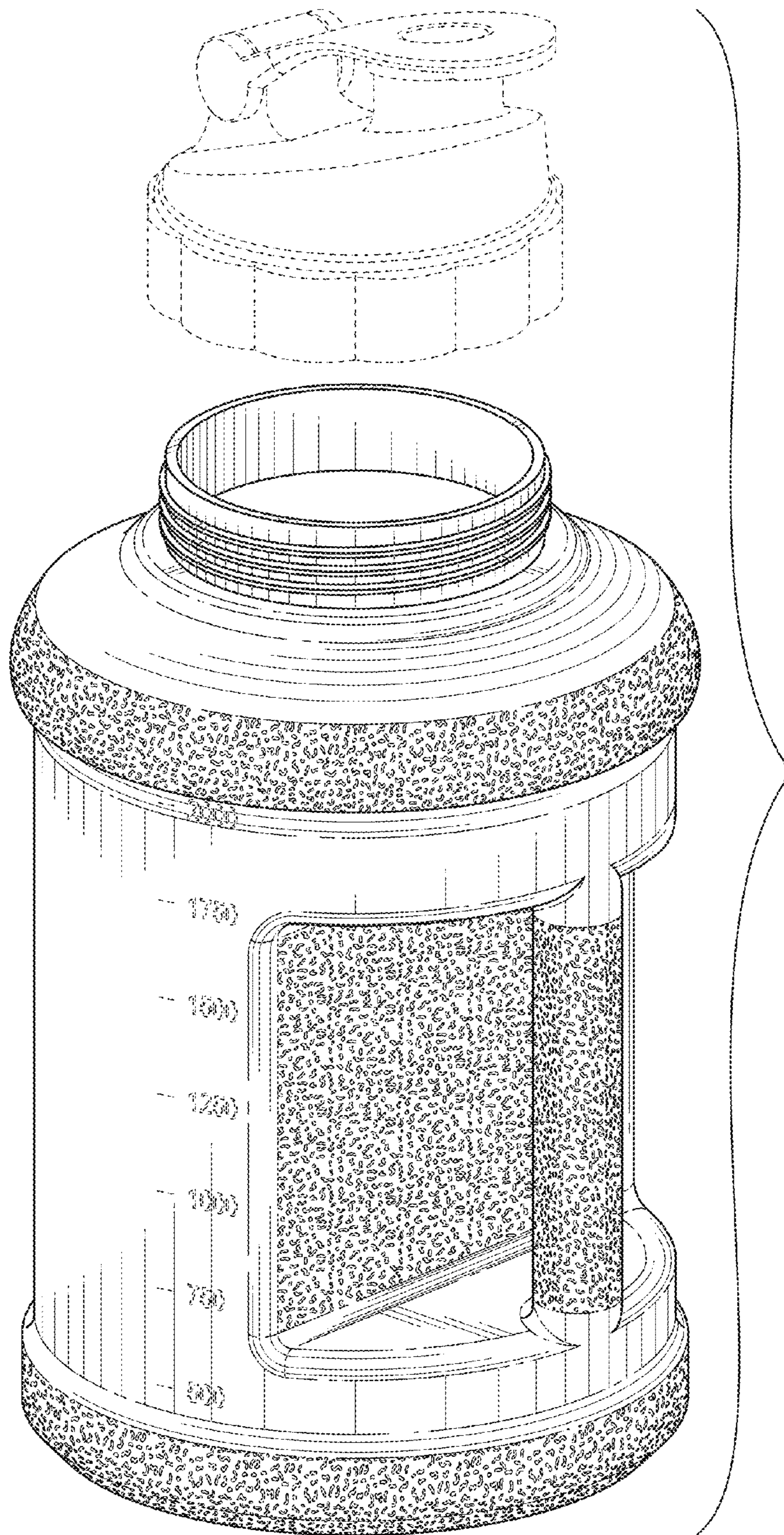


FIG. 8