



US00D750433S

(12) **United States Design Patent**  
**Lee et al.**

(10) **Patent No.:** **US D750,433 S**  
(45) **Date of Patent:** **\*\* Mar. 1, 2016**

(54) **COOKTOP**

(71) Applicant: **Samsung Electronics Co., Ltd.**,  
Suwon-si (KR)  
(72) Inventors: **Soo-Jung Lee**, Kimpo-Si (KR);  
**Chi-Young Ahn**, Seoul (KR); **Hong-Pyo**  
**Kim**, Seoul (KR)  
(73) Assignee: **Samsung Electronics Co., Ltd.**,  
Suwon-si (KR)

(\*\*) Term: **14 Years**

(21) Appl. No.: **29/496,081**

(22) Filed: **Jul. 9, 2014**

(30) **Foreign Application Priority Data**

Jan. 15, 2014 (KR) ..... 30-2014-0002416

(51) **LOC (10) Cl.** ..... **07-02**

(52) **U.S. Cl.**  
USPC ..... **D7/408**

(58) **Field of Classification Search**  
USPC ..... D7/339-341, 346, 354-361, 388, 402,  
D7/408-409; D23/346-347, 397; 126/211,  
126/275 R; 99/385, 402, 403, 427, 449-450,  
99/421 A, 421 H, 421 R; 220/491, 912  
CPC ..... A47J 37/0786; A47J 37/0704; A47J  
37/0694; A47J 43/18; F24C 15/107  
See application file for complete search history.

(56) **References Cited**

**U.S. PATENT DOCUMENTS**

D367,802 S \* 3/1996 Lewis ..... D7/408  
D369,062 S \* 4/1996 Holbrook, Jr. .... D7/408

D371,277 S \* 7/1996 Pink ..... D7/408  
D372,630 S \* 8/1996 Lewis ..... D7/346  
D401,112 S \* 11/1998 Miller ..... D7/408  
D502,632 S \* 3/2005 Becker ..... D7/346  
D602,738 S \* 10/2009 Bengtson ..... D7/408  
D616,247 S \* 5/2010 Fuller ..... D7/408  
D628,017 S \* 11/2010 Funnell ..... D7/408  
D678,723 S \* 3/2013 Funnell, II ..... D7/408  
D702,496 S \* 4/2014 Funnell, II ..... D7/408  
D703,484 S \* 4/2014 Boo ..... D7/408

\* cited by examiner

*Primary Examiner* — Zenia Bennett

(74) *Attorney, Agent, or Firm* — NSIP Law

(57) **CLAIM**

We claim the ornamental design for a cooktop, as shown and described.

**DESCRIPTION**

FIG. 1 is a front perspective view of a cooktop showing our new design;  
FIG. 2 is a front view thereof;  
FIG. 3 is a rear view thereof;  
FIG. 4 is a left-side view thereof;  
FIG. 5 is a right-side view thereof;  
FIG. 6 is a top plan view thereof;  
FIG. 7 is a bottom plan thereof; and,  
FIG. 8 is another front perspective view in which a home appliance is shown in broken lines to illustrate an example environment.

The broken lines in the figures show portions of the cooktop which form no part of the claimed design.

The broken lines shown in FIG. 8 are for environmental purposes only and form no part of the claimed design.

**1 Claim, 6 Drawing Sheets**

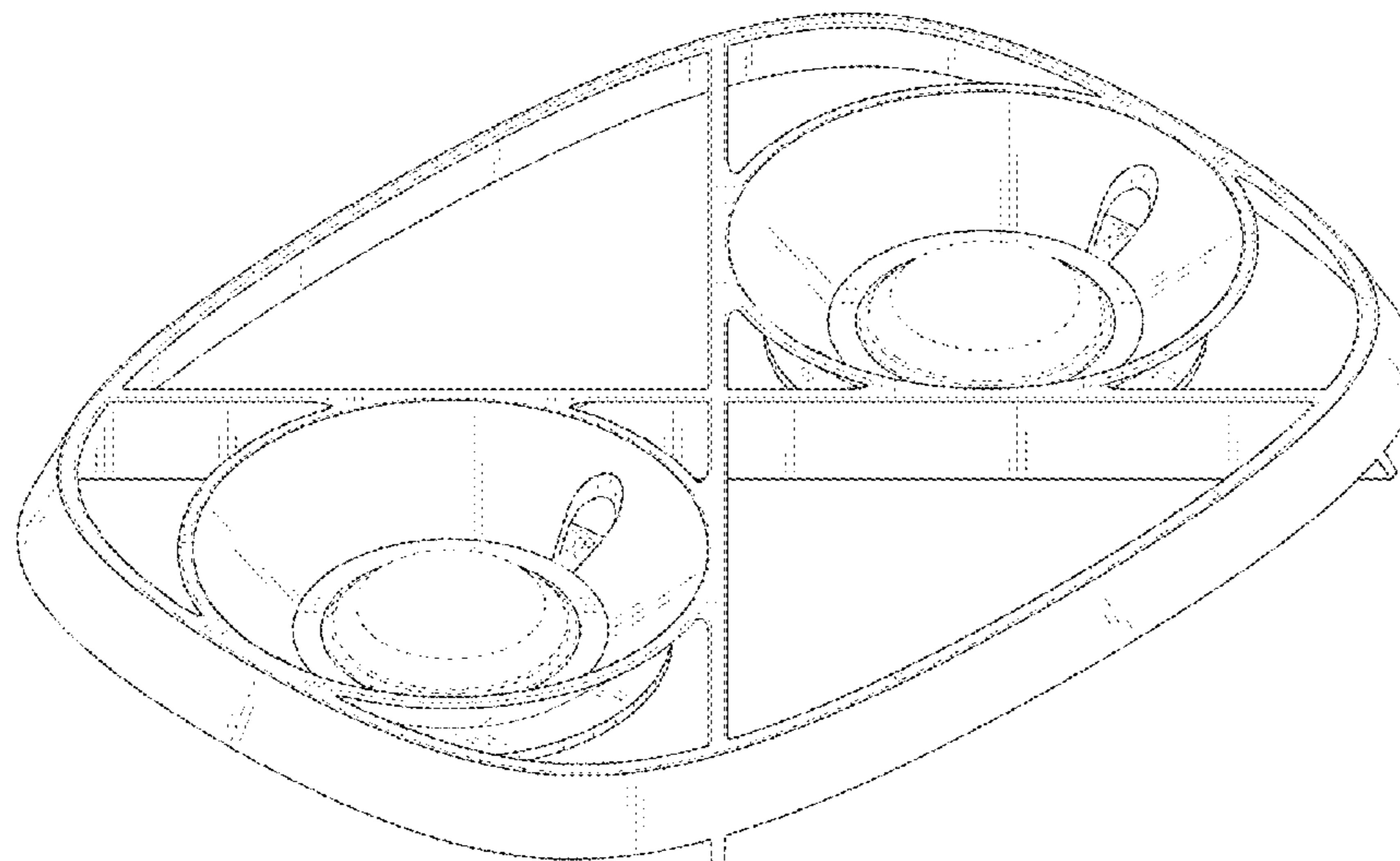


FIG. 1

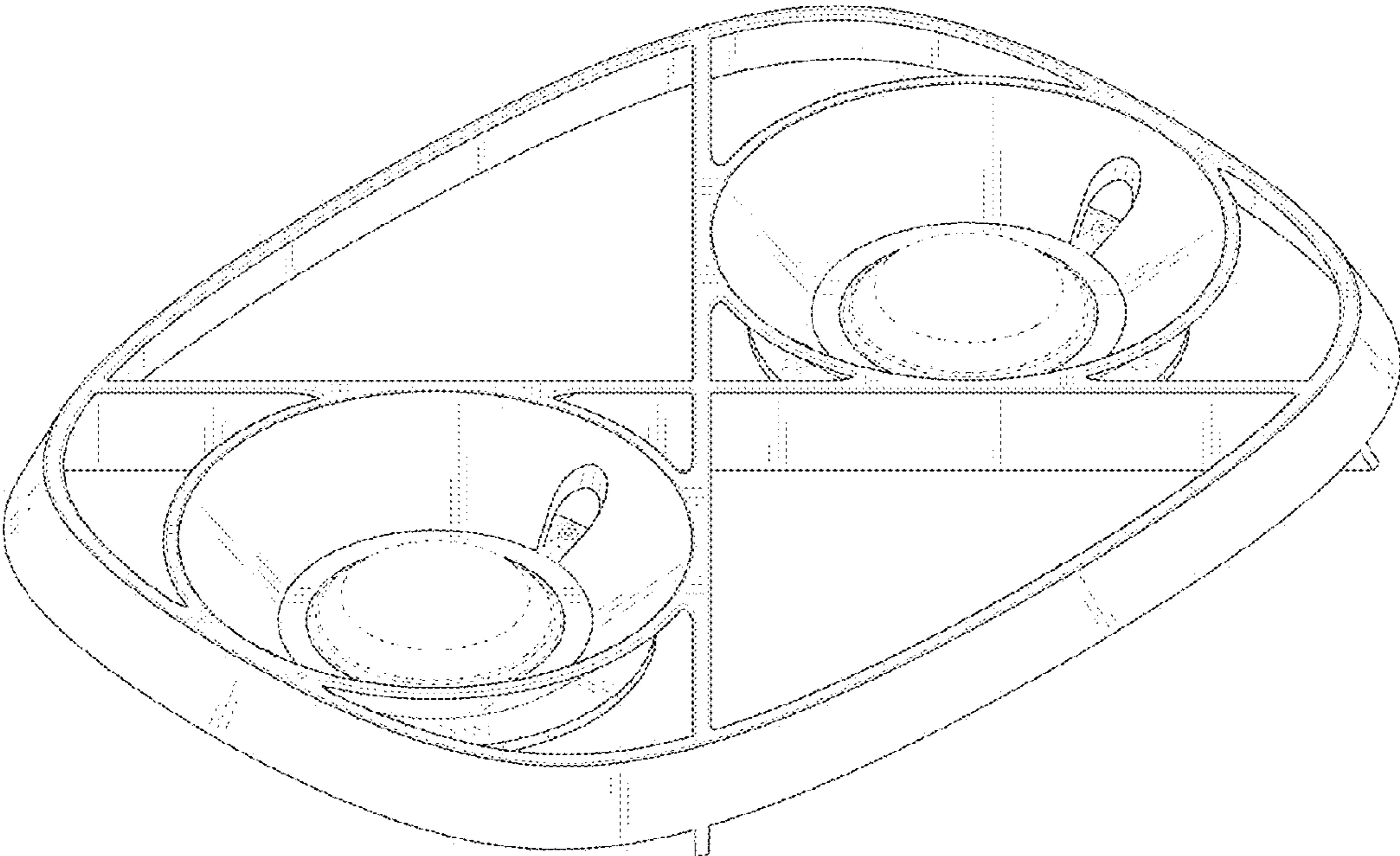


FIG. 2

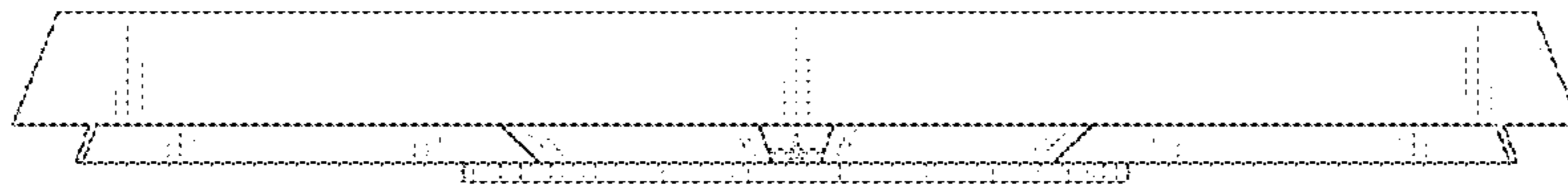


FIG. 3

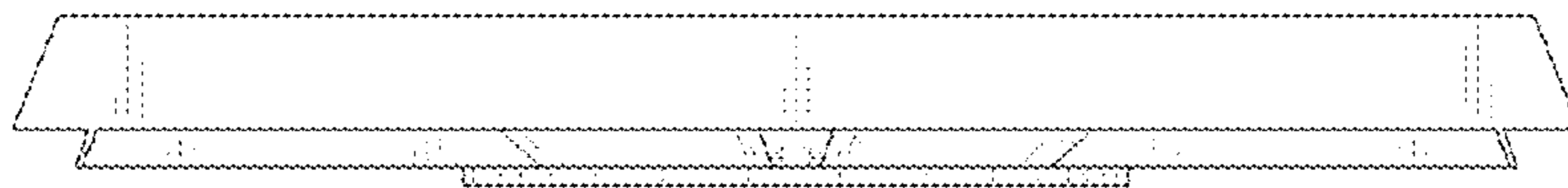


FIG. 4

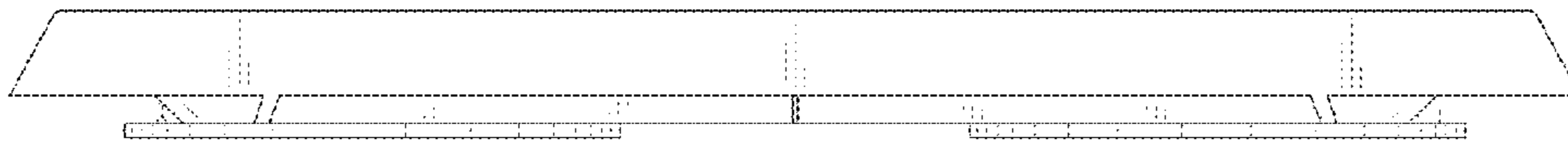


FIG. 5

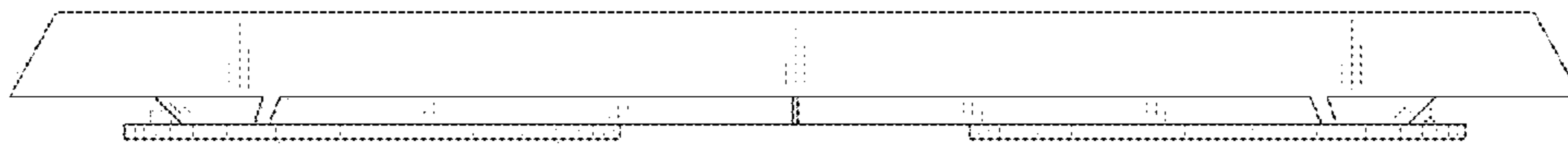


FIG. 6

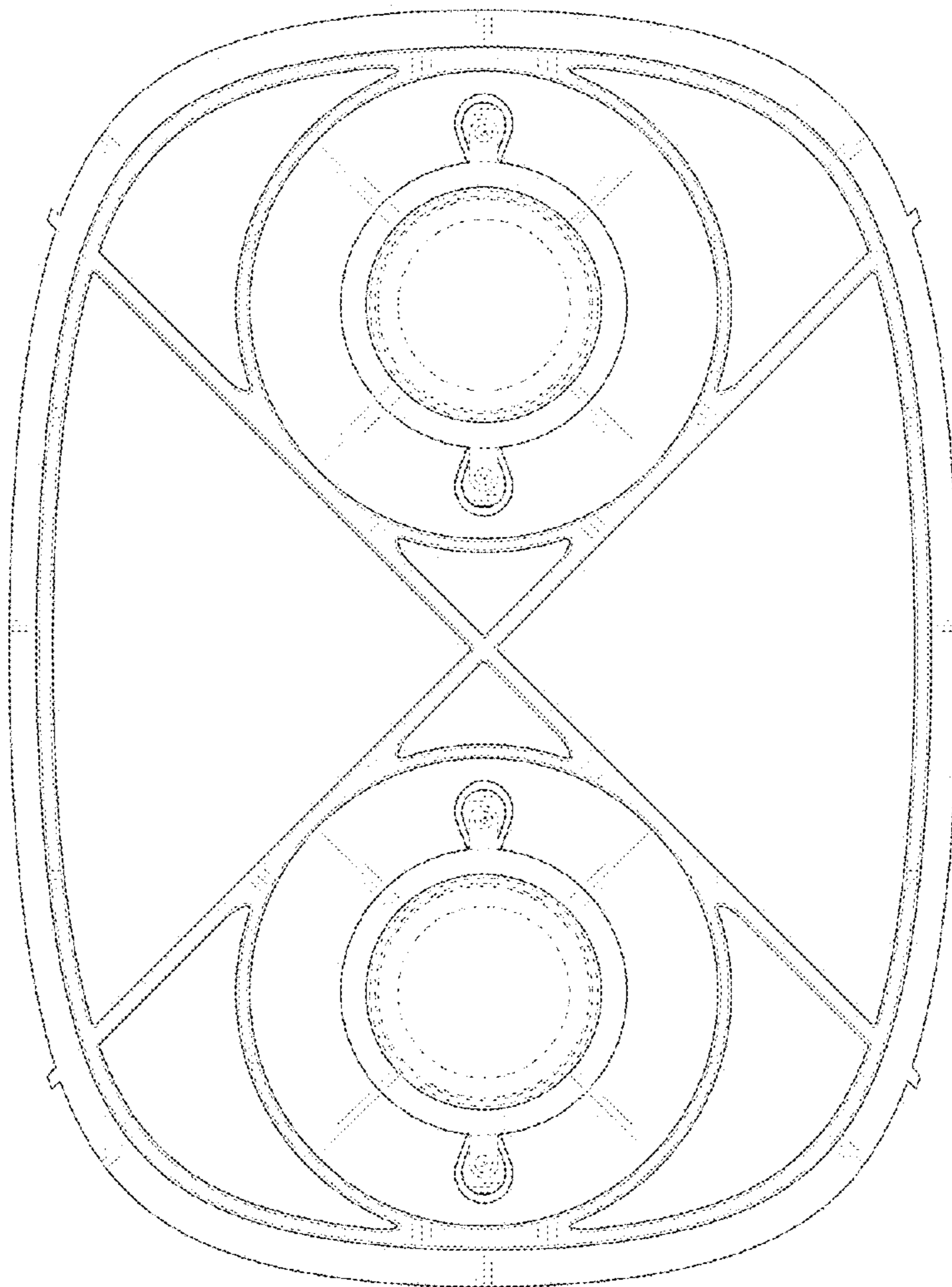


FIG. 7

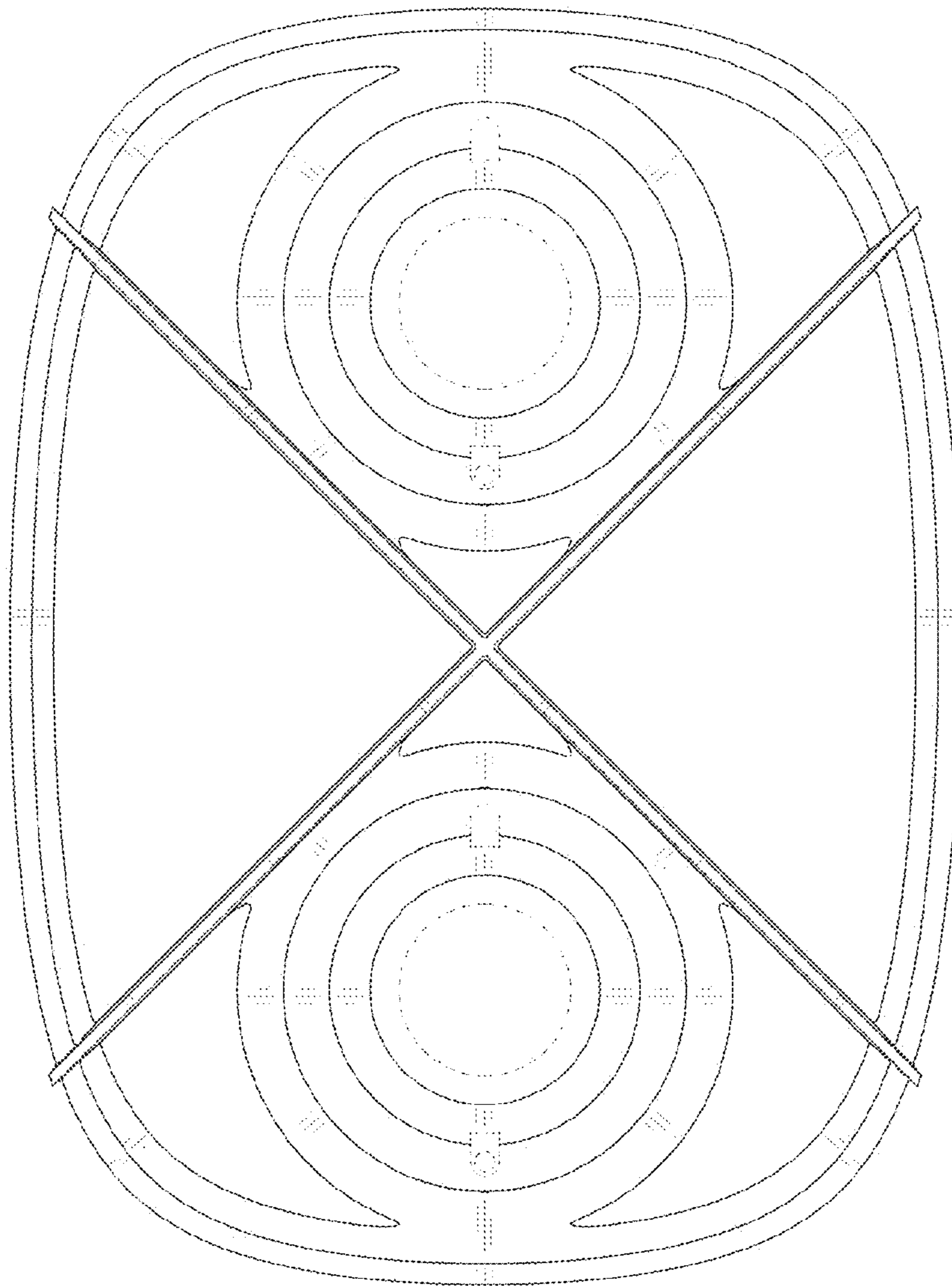


FIG. 8

