



US00D750432S

(12) **United States Design Patent**  
**Funnell, II et al.**

(10) **Patent No.:** **US D750,432 S**  
(45) **Date of Patent:** **\*\* Mar. 1, 2016**

(54) **RANGE AND/OR COMPONENTS THEREOF**

126/39 R, 39 F, 39 C, 39 B, 211, 214 R;  
219/391-392

(71) Applicant: **BSH Home Appliances Corporation**,  
Irvine, CA (US)

See application file for complete search history.

(72) Inventors: **Richard W. Funnell, II**, Corona del  
Mar, CA (US); **Jonathan Grey**,  
Huntersville, NC (US); **Graham**  
**Sadtler**, Huntington Beach, CA (US)

(56) **References Cited**

U.S. PATENT DOCUMENTS

D592,007 S \* 5/2009 Corona ..... D7/340  
D605,456 S \* 12/2009 Bengtson et al. .... D7/340  
D646,921 S \* 10/2011 Kim et al. .... D7/340  
D655,128 S \* 3/2012 Kim et al. .... D7/340

(73) Assignee: **BSH Home Appliances Corporation**,  
Irvine, CA (US)

\* cited by examiner

(\*\*) Term: **14 Years**

*Primary Examiner* — Catheri Oliver-Garcia

(21) Appl. No.: **29/506,163**

(74) *Attorney, Agent, or Firm* — James E. Howard; Andre  
Pallapies

(22) Filed: **Oct. 14, 2014**

(57) **CLAIM**

The ornamental design for a range and/or components  
thereof, as shown and described.

**Related U.S. Application Data**

**DESCRIPTION**

(62) Division of application No. 29/471,872, filed on Nov.  
6, 2013, now Pat. No. Des. 721,917, which is a division  
of application No. 29/450,597, filed on Mar. 20, 2013,  
now Pat. No. Des. 699,503, which is a division of  
application No. 29/426,705, filed on Jul. 10, 2012, now  
Pat. No. Des. 682,603, which is a division of  
application No. 29/398,034, filed on Jul. 26, 2011, now  
Pat. No. Des. 669,728.

FIG. 1 is a front perspective view of a range according to our  
new ornamental design;

FIG. 2 is a top view thereof;

FIG. 3 is a right side view thereof; and,

FIG. 4 is a left side view thereof.

The broken lines represent environment or structure of the  
kitchen appliance and do not form any part of the claimed  
design.

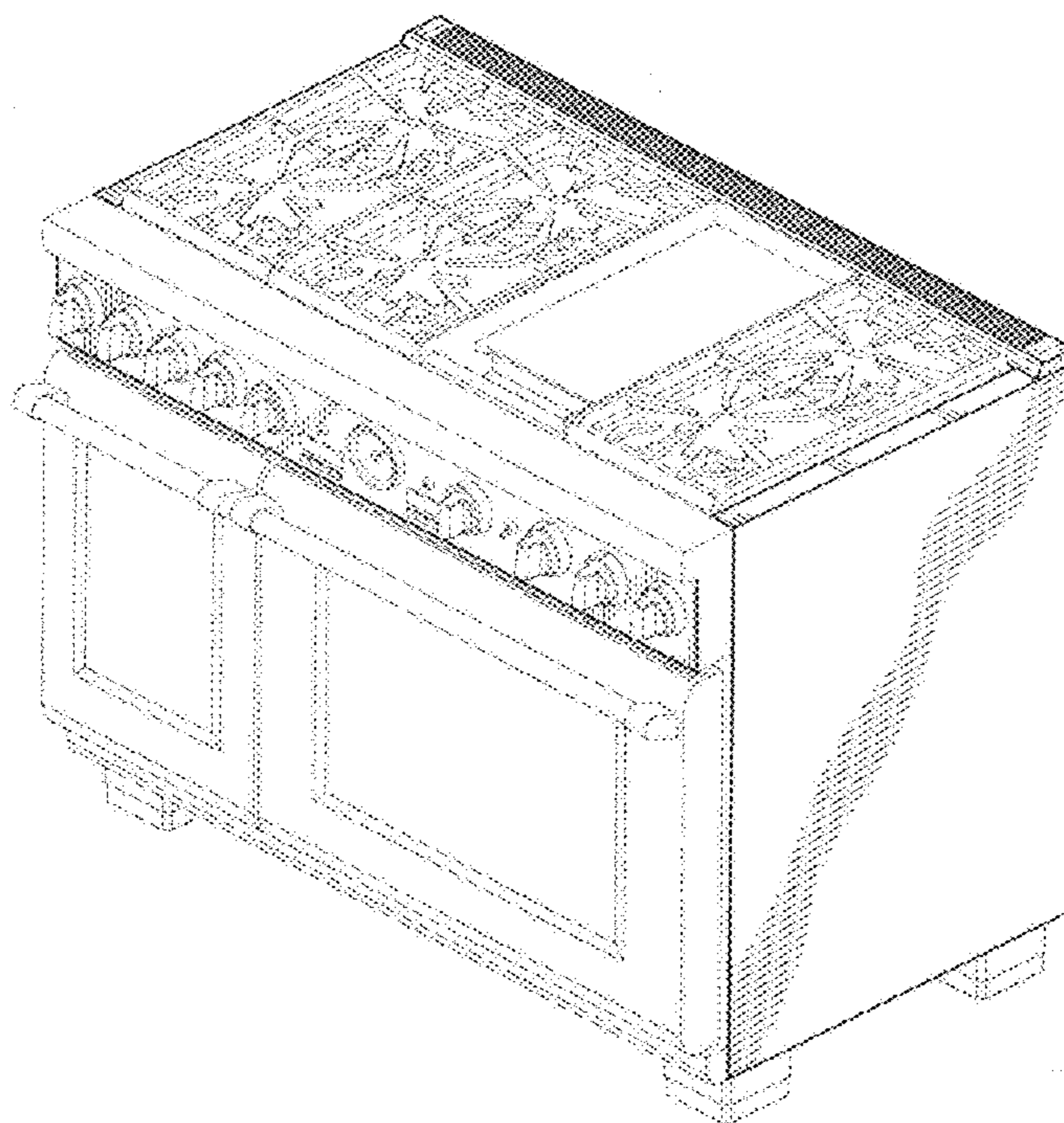
Throughout the drawings, various views may not be pro-  
vided, as the components in these views are unornamented or  
the ornamentation in these views is simply unclaimed.

(51) **LOC (10) Cl.** ..... **07-02**

(52) **U.S. Cl.**  
USPC ..... **D7/406**

(58) **Field of Classification Search**  
USPC ..... D7/339-341, 346-349, 402, 406-408;

**1 Claim, 3 Drawing Sheets**



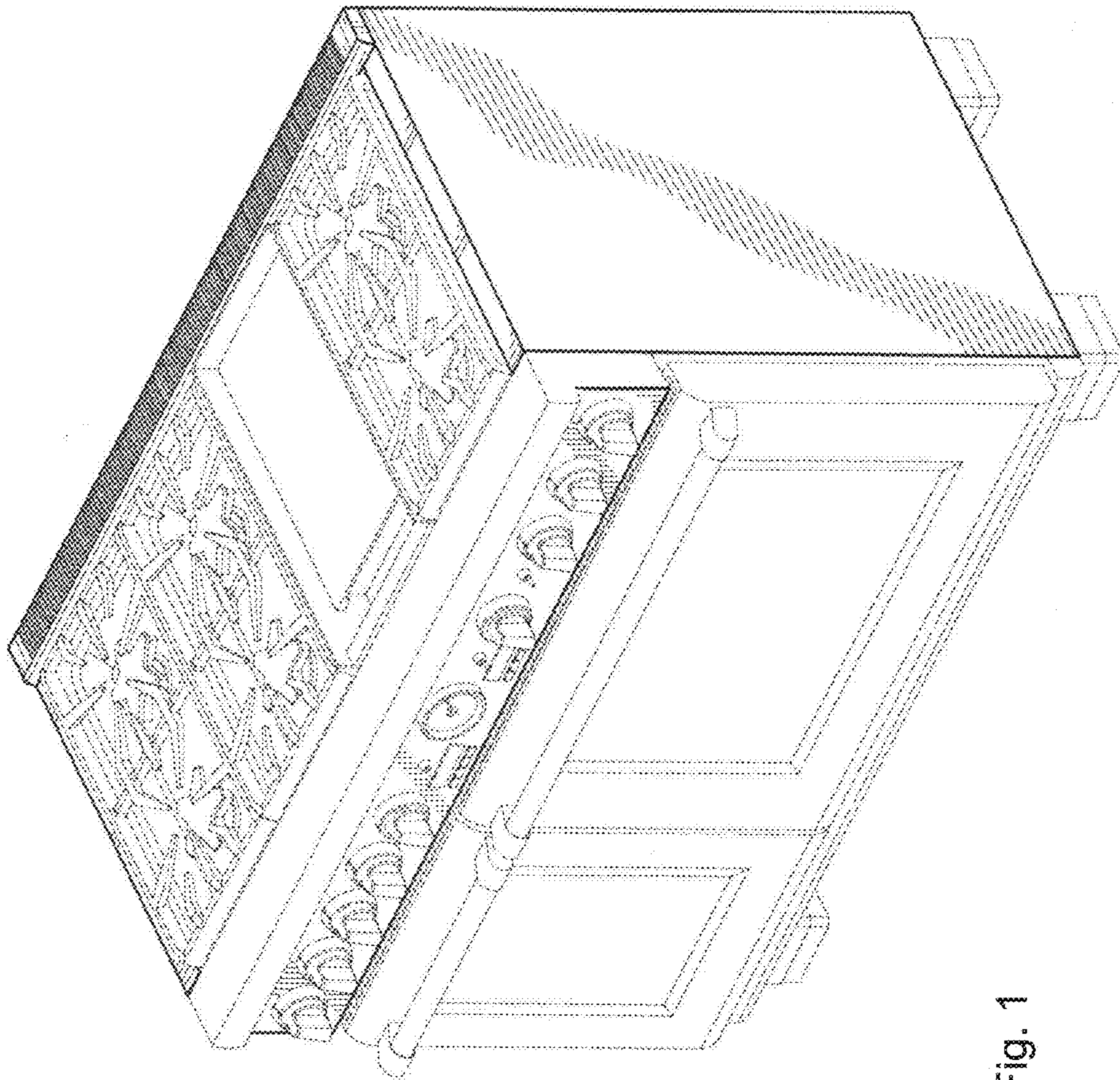


Fig. 1

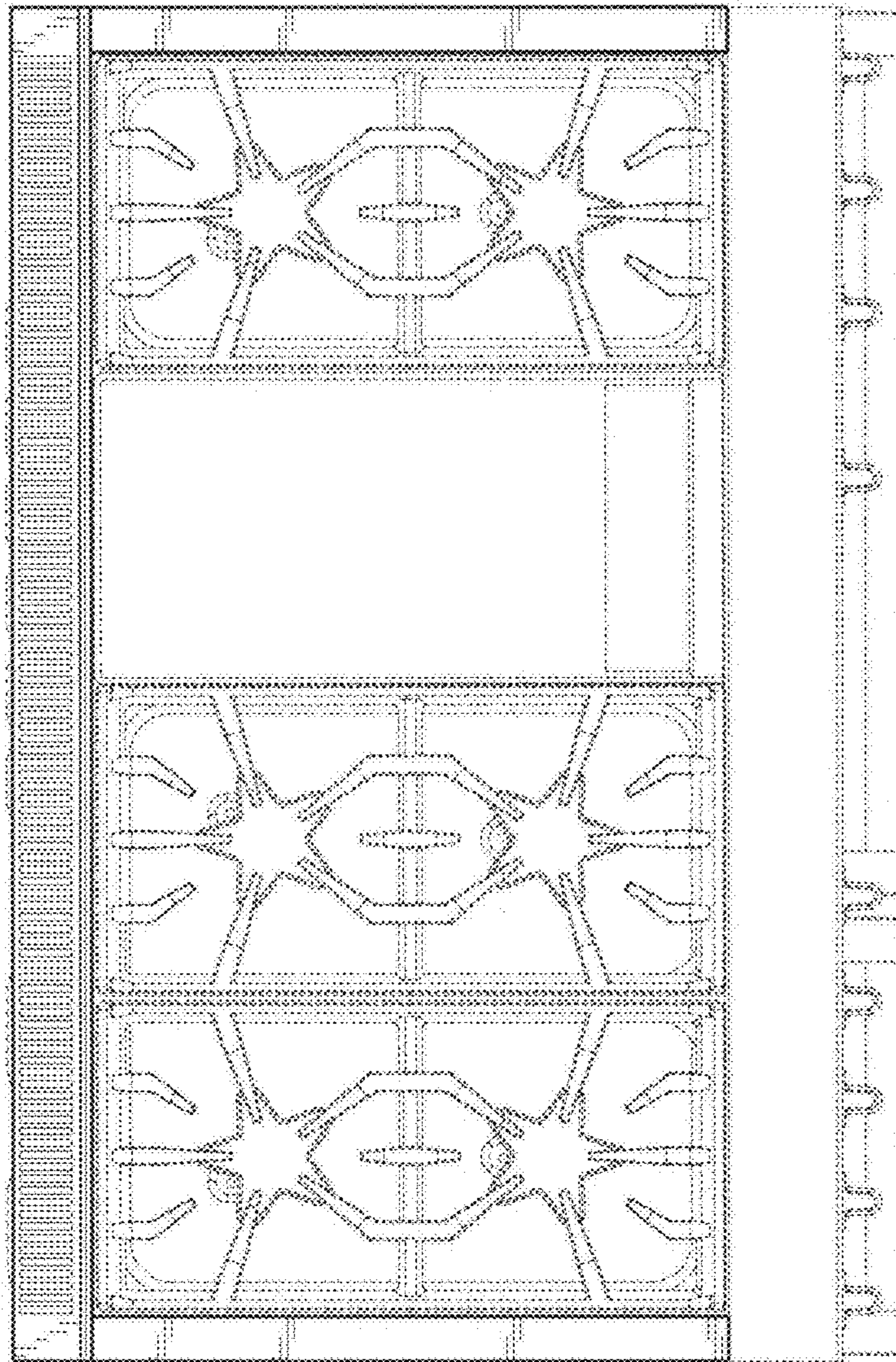


Fig. 2

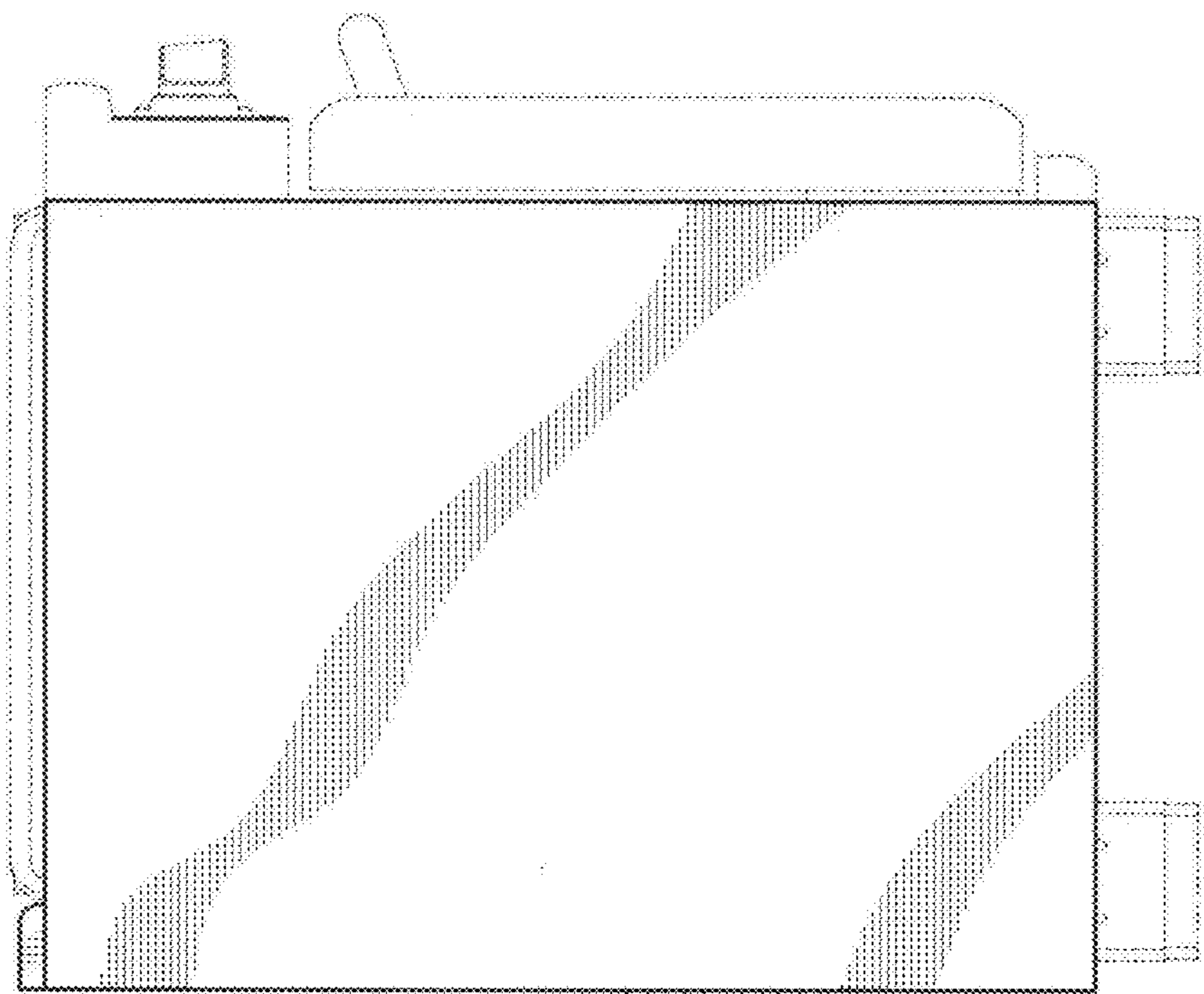


Fig. 3

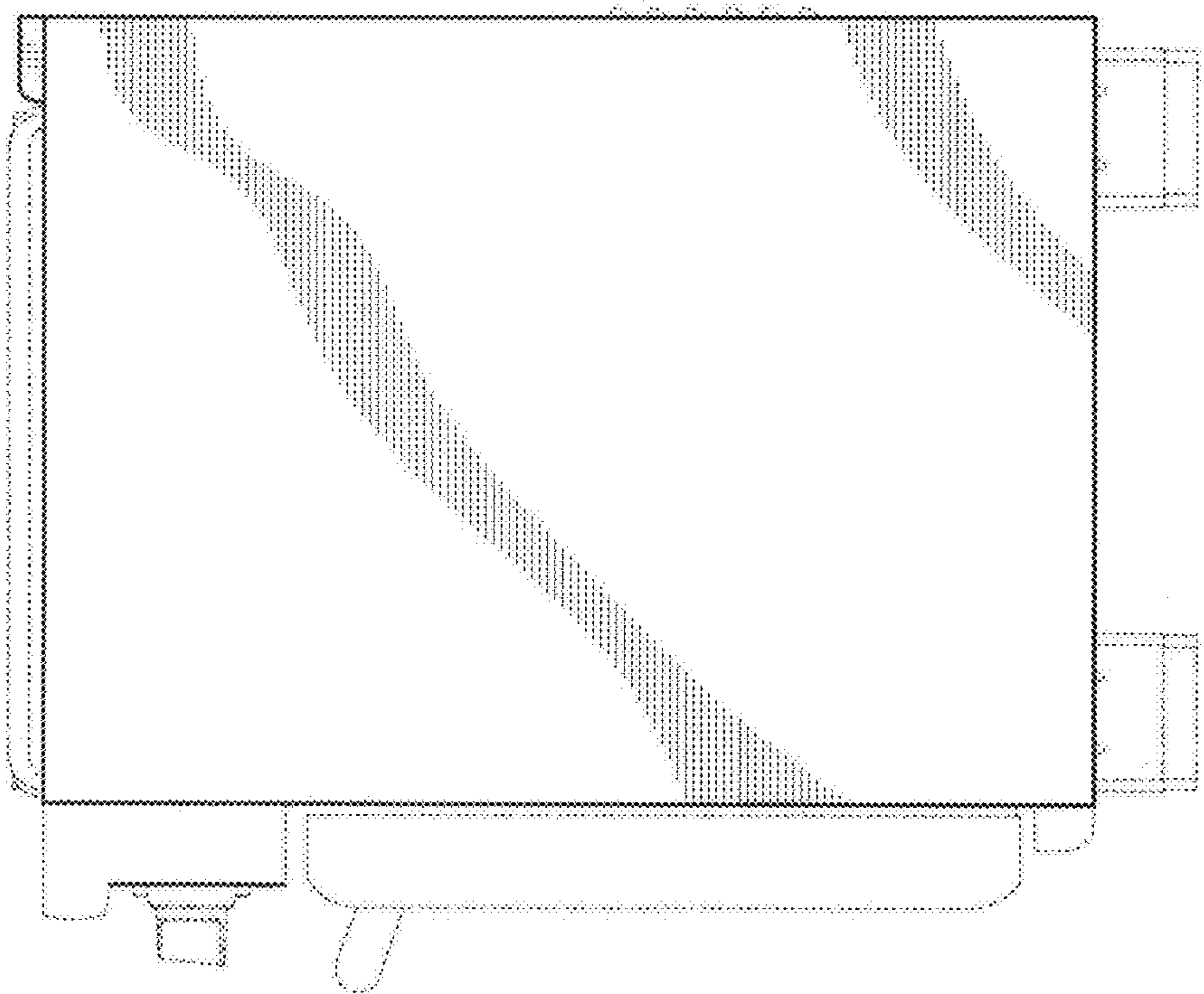


Fig. 4