



US00D750431S

(12) **United States Design Patent**
Bergese

(10) **Patent No.:** **US D750,431 S**
(45) **Date of Patent:** **** Mar. 1, 2016**

(54) **MICROWAVE OVEN**
(71) Applicant: **Panasonic Intellectual Property Management Co., Ltd., Osaka (JP)**
(72) Inventor: **Enrico Bergese, Shiga (JP)**
(73) Assignee: **Panasonic Intellectual Property Management Co., Ltd., Osaka (JP)**
(**) Term: **14 Years**

D582,211 S * 12/2008 Green D7/405
D586,173 S * 2/2009 Kim D7/351
D599,163 S * 9/2009 Oomae D7/351
D632,920 S * 2/2011 Ohmae D7/351
D657,186 S * 4/2012 Ohmae D7/351
D665,219 S * 8/2012 Ohmae D7/351
D665,220 S * 8/2012 Ohmae D7/351
D693,167 S * 11/2013 Kim D7/351
2007/0012691 A1 * 1/2007 Sim H05B 6/763
219/741
2013/0069512 A1 * 3/2013 Zimmer H05B 6/6417
312/326
2014/0021199 A1 * 1/2014 Adeniyi H05B 6/6414
219/757

(21) Appl. No.: **29/514,881**

FOREIGN PATENT DOCUMENTS

(22) Filed: **Jan. 16, 2015**
(51) **LOC (10) Cl.** **07-02**
(52) **U.S. Cl.**
USPC **D7/405**

AU 315129 7/2007
CN 200930681501.0 9/2010
CN 201030537725.7 3/2011
CN 201030537781.0 3/2011

(58) **Field of Classification Search**
USPC D7/332-351, 362-367, 402-409;
D23/415; 219/756, 702; 426/234
CPC F24C 15/10; F24C 7/083; F24C 15/107;
F24C 3/08-3/12; F24C 15/023; F24C 15/322;
F24C 15/325; F24C 15/327; F24C 7/08;
F24C 15/048; H05B 6/062; H05B 1/0266;
H05B 6/763; H05B 6/6414; H05B 6/6417;
F23D 14/06; F23D 2900/14062; F23D 14/105;
F23D 14/045; A47J 37/0713
See application file for complete search history.

* cited by examiner

Primary Examiner — Susan Bennett Hattan
Assistant Examiner — Brett Miller
(74) *Attorney, Agent, or Firm* — Panasonic Patent Center

(56) **References Cited**

U.S. PATENT DOCUMENTS

D295,357 S * 4/1988 Kubo D7/351
D295,822 S * 5/1988 Kubo D7/351
D306,958 S * 4/1990 Yamada D7/351
D353,074 S * 12/1994 Ozaki D7/351
D353,510 S * 12/1994 Nakamura D7/351
D353,511 S * 12/1994 Saimen D7/351
D385,155 S * 10/1997 Weiss D7/405
D452,410 S * 12/2001 Ichimura D7/351
D522,801 S * 6/2006 Lee D7/351
D579,270 S 10/2008 Green et al.

(57) **CLAIM**
I claim the ornamental design for a microwave oven, as shown and described.

DESCRIPTION

FIG. 1 is a front perspective view of a microwave oven of the present invention;
FIG. 2 is a front view thereof;
FIG. 3 is a top view thereof;
FIG. 4 is a bottom view thereof;
FIG. 5 is a left side view thereof; and,
FIG. 6 is a right side view thereof.
The broken line showing of microwave oven is included for the purpose of illustrating environment and forms no part of the claimed design.

1 Claim, 6 Drawing Sheets

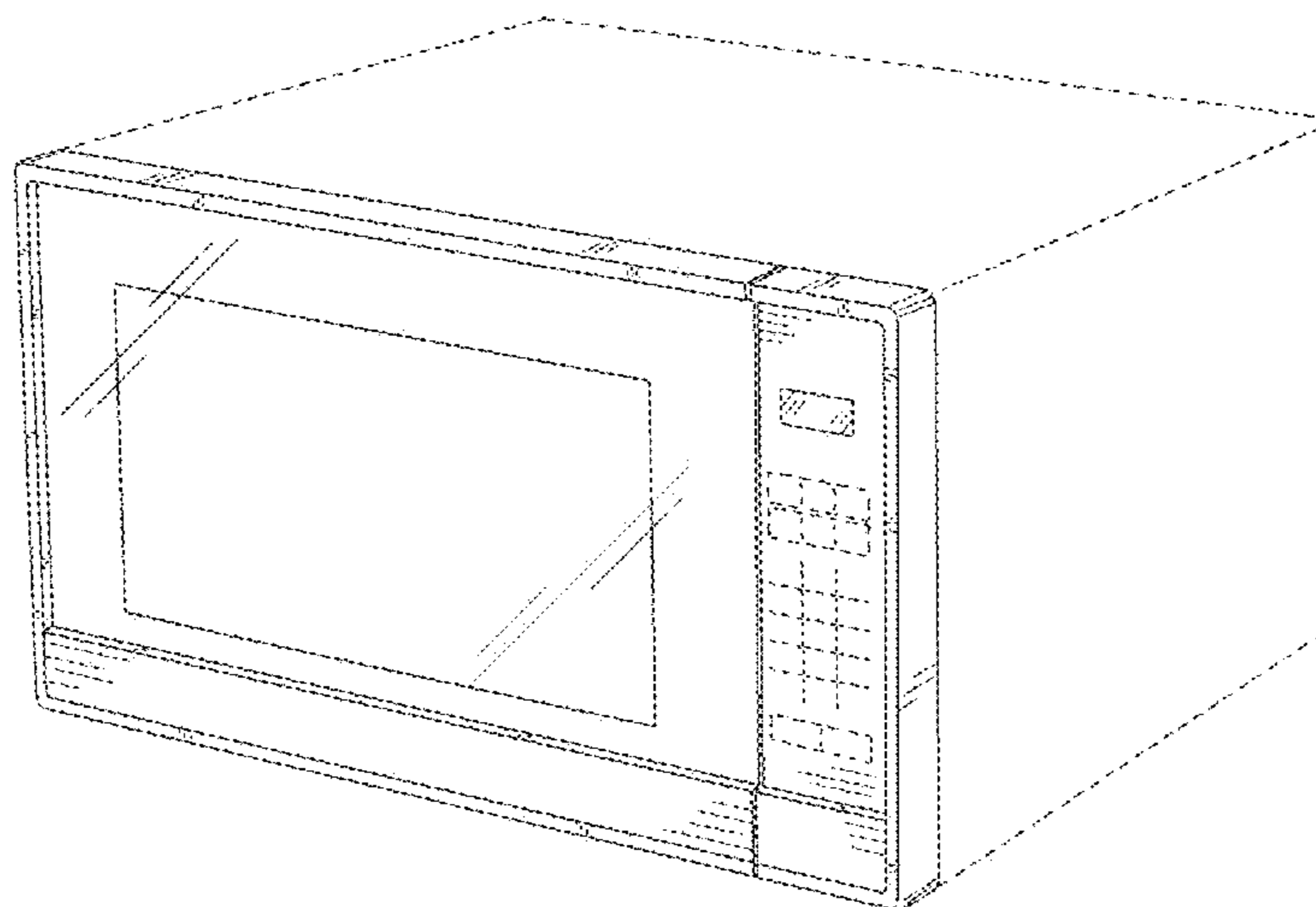


FIG. 1

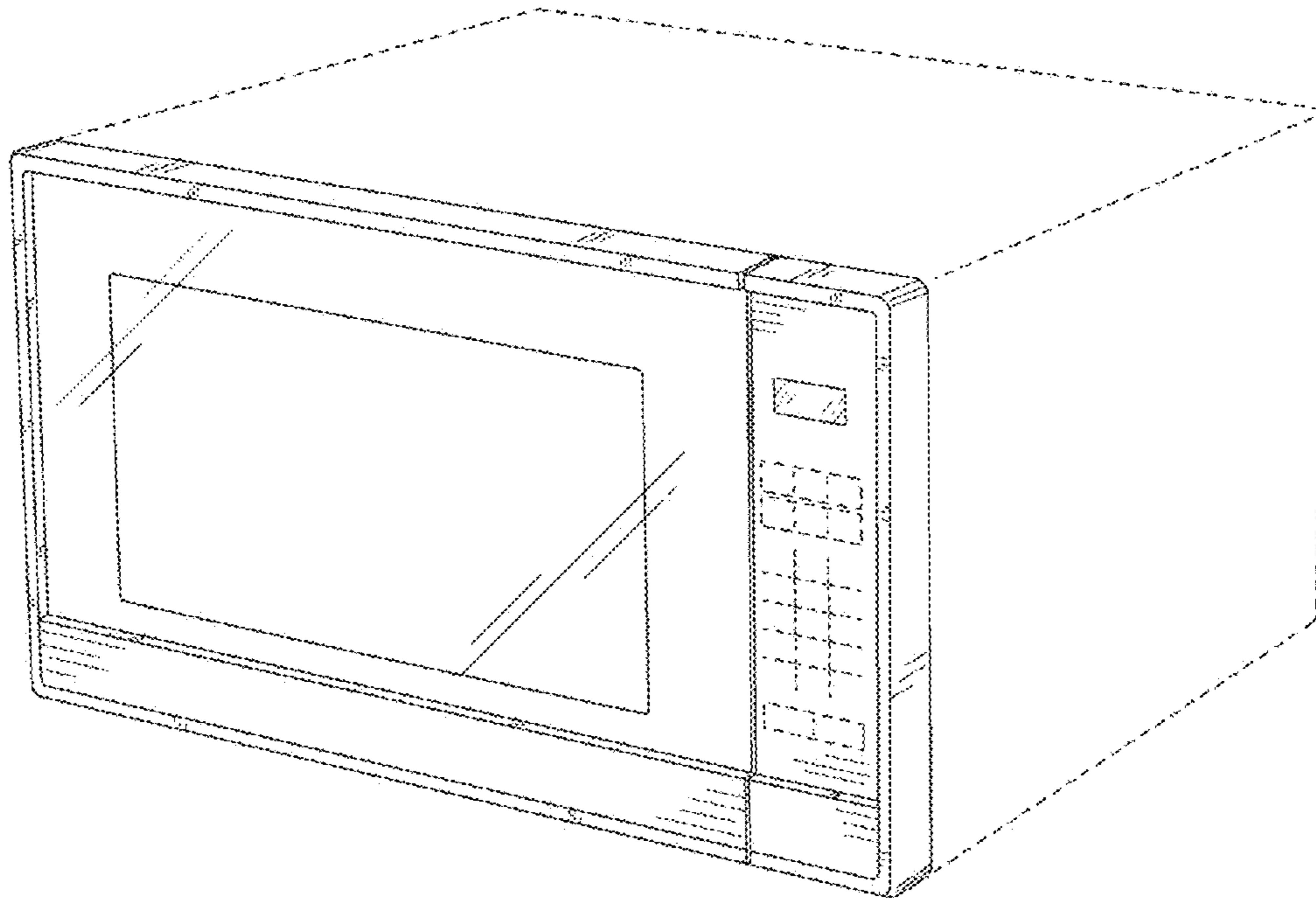


FIG. 2

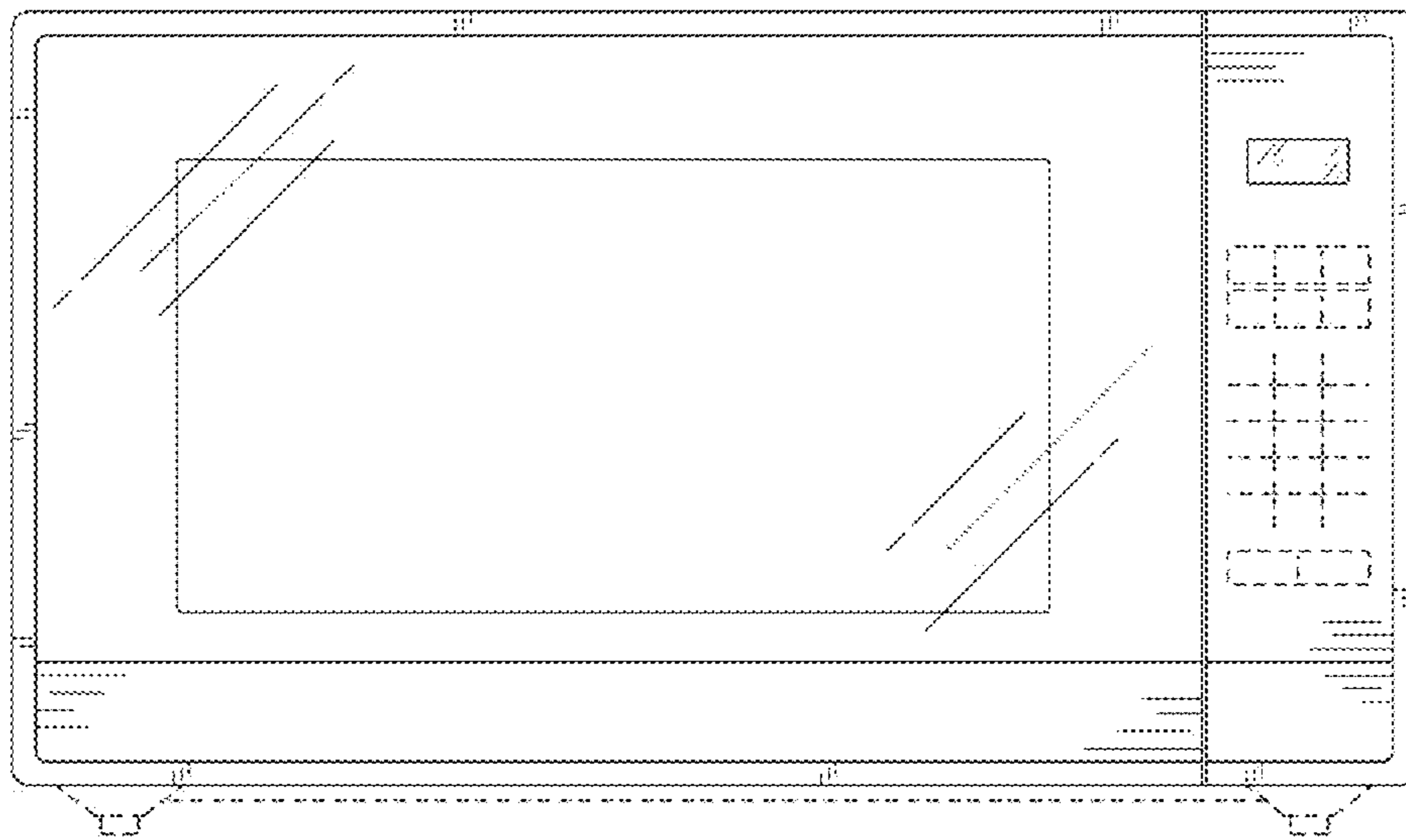


FIG. 3



FIG. 4

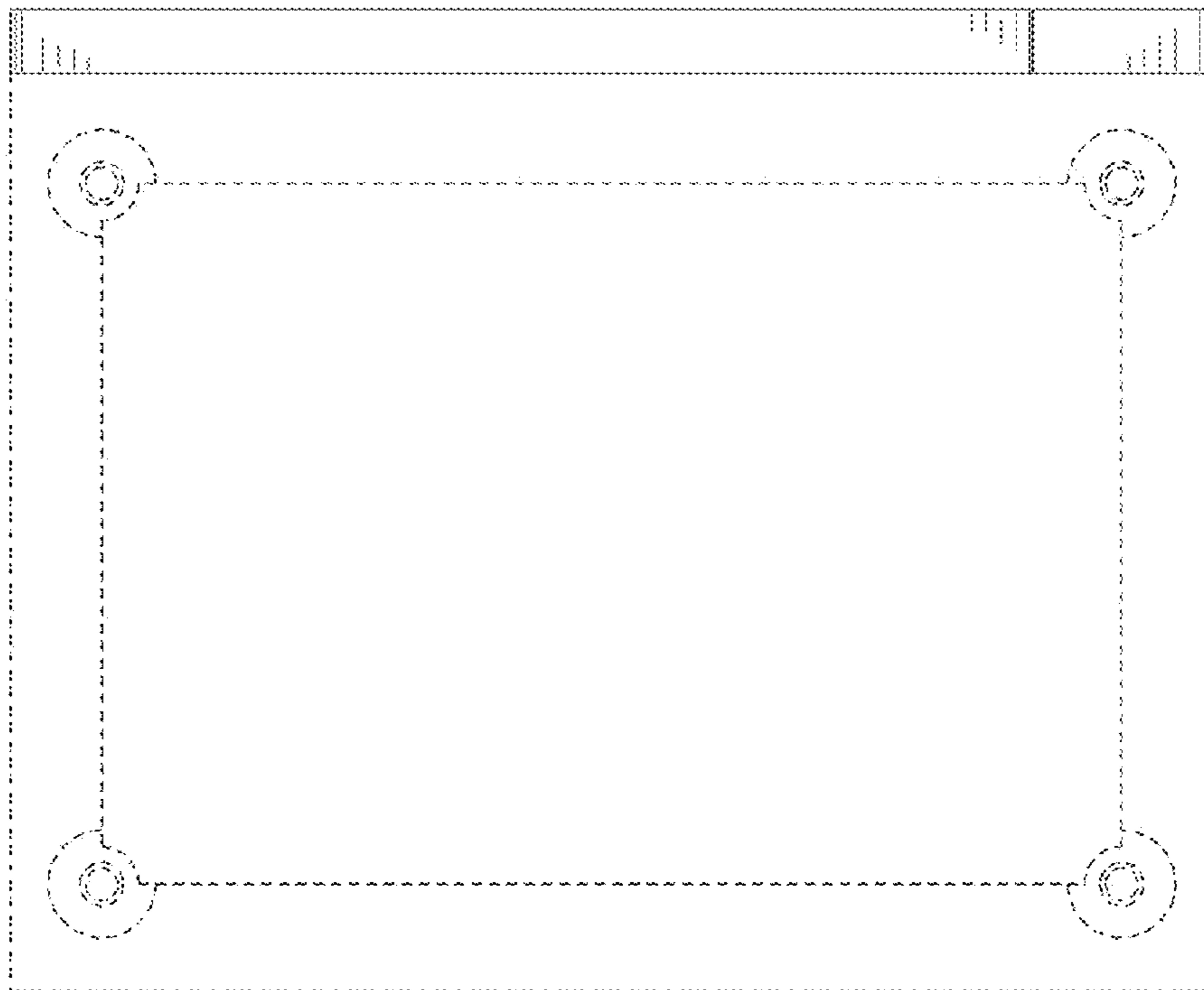


FIG. 5

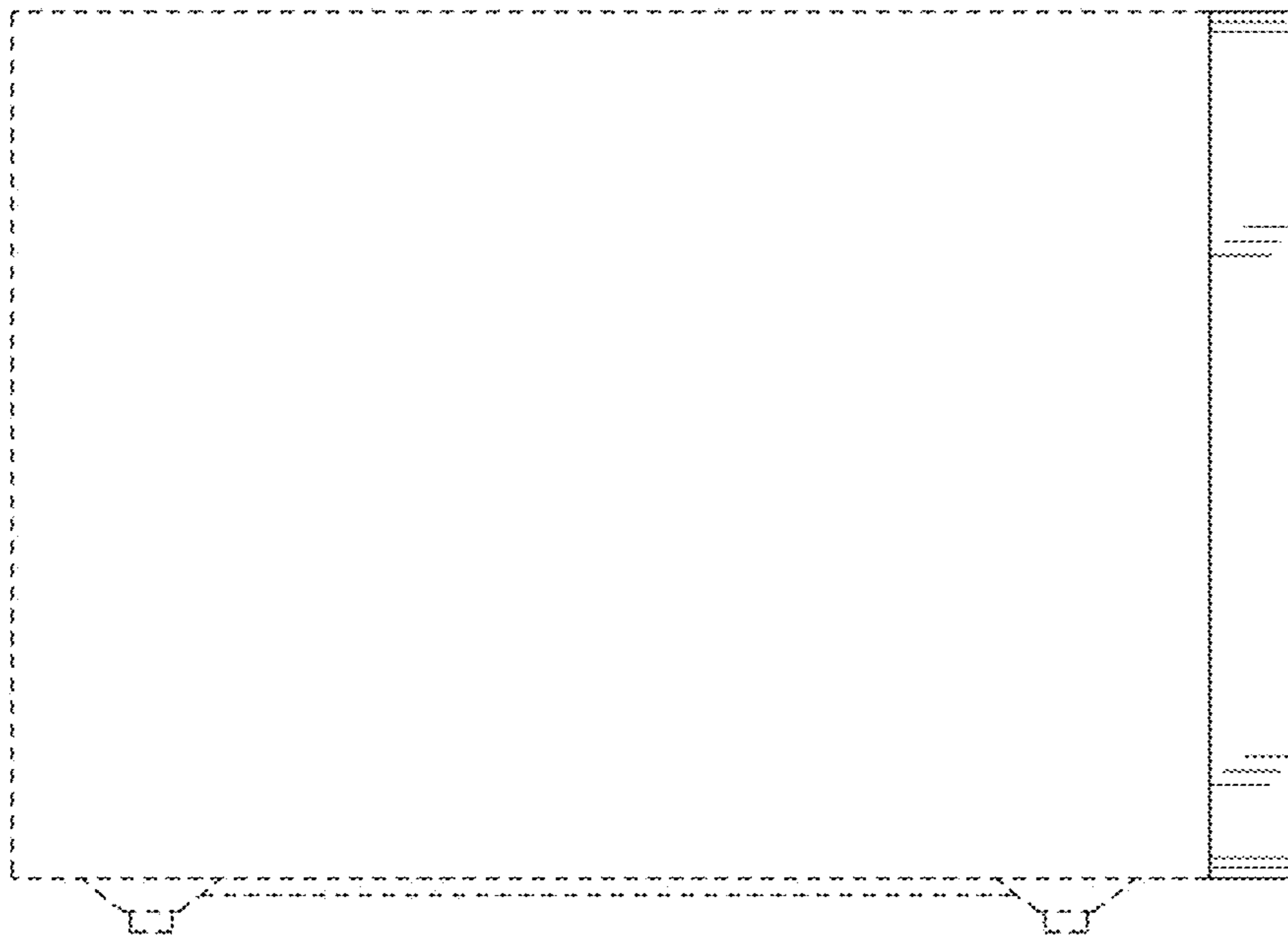


FIG. 6

