



US00D750430S

(12) **United States Design Patent**  
**Lee et al.**

(10) **Patent No.:** **US D750,430 S**  
(45) **Date of Patent:** **\*\* Mar. 1, 2016**

(54) **OVEN**

D730,062 S \* 5/2015 Lim ..... D4/138  
D735,356 S \* 7/2015 Hillstrom ..... D25/122  
D739,250 S \* 9/2015 Rohit ..... D9/529

(71) Applicant: **Samsung Electronics Co., Ltd.**,  
Suwon-si (KR)

\* cited by examiner

(72) Inventors: **Soo-Jung Lee**, Kimpo-Si (KR); **Alex  
Rochat**, Seoul (KR)

*Primary Examiner* — Zenia Bennett  
(74) *Attorney, Agent, or Firm* — NSIP Law

(73) Assignee: **Samsung Electronics Co., Ltd.**,  
Suwon-si (KR)

(57) **CLAIM**  
We claim the ornamental design for an oven, as shown and  
described.

(\*\*) Term: **14 Years**

**DESCRIPTION**

(21) Appl. No.: **29/496,073**

FIG. 1 is a front perspective view of an oven showing our new  
design;

(22) Filed: **Jul. 9, 2014**

FIG. 2 is a front view thereof;

(30) **Foreign Application Priority Data**

Jan. 15, 2014 (KR) ..... 30-2014-0002409

FIG. 3 is a rear view thereof;

(51) **LOC (10) Cl.** ..... **07-02**

FIG. 4 is a left-side view thereof;

(52) **U.S. Cl.**

USPC ..... **D7/402**

FIG. 5 is a right-side view thereof;

(58) **Field of Classification Search**

USPC ..... D7/340, 341, 346, 348, 365, 367, 393,  
D7/394, 402, 407; 219/678, 756-758;  
126/19 M, 275 E

FIG. 6 is a top view thereof;

CPC ..... B65D 51/247; B65D 77/245

FIG. 7 is a bottom view thereof;

See application file for complete search history.

FIG. 8 is an enlarged view of the encircled portion in FIG. 1;

FIG. 9 is an enlarged view of the encircled portion in FIG. 2;

FIG. 10 is an enlarged view of the encircled portion in FIG. 4;

FIG. 11 is an enlarged view of the encircled portion in FIG. 5;

FIG. 12 is an enlarged view of the encircled portion in FIG. 6;

FIG. 13 is an enlarged view of the encircled portion in FIG. 7;

and,

FIG. 14 is another front perspective view of FIG. 1, in which  
the oven is provided in an alternate position.

The broken lines in the figures show portions of the oven  
which form no part of the claimed design.

The dot-dash broken lines encircling portions of the claimed  
design that are illustrated in enlargements form no part of the  
claimed design.

(56) **References Cited**

**U.S. PATENT DOCUMENTS**

D694,059 S \* 11/2013 De Pra ..... D7/372  
D706,567 S \* 6/2014 Strayle ..... D7/309  
D723,571 S \* 3/2015 Feng ..... D14/447  
D727,135 S \* 4/2015 Huang ..... D8/367

**1 Claim, 11 Drawing Sheets**

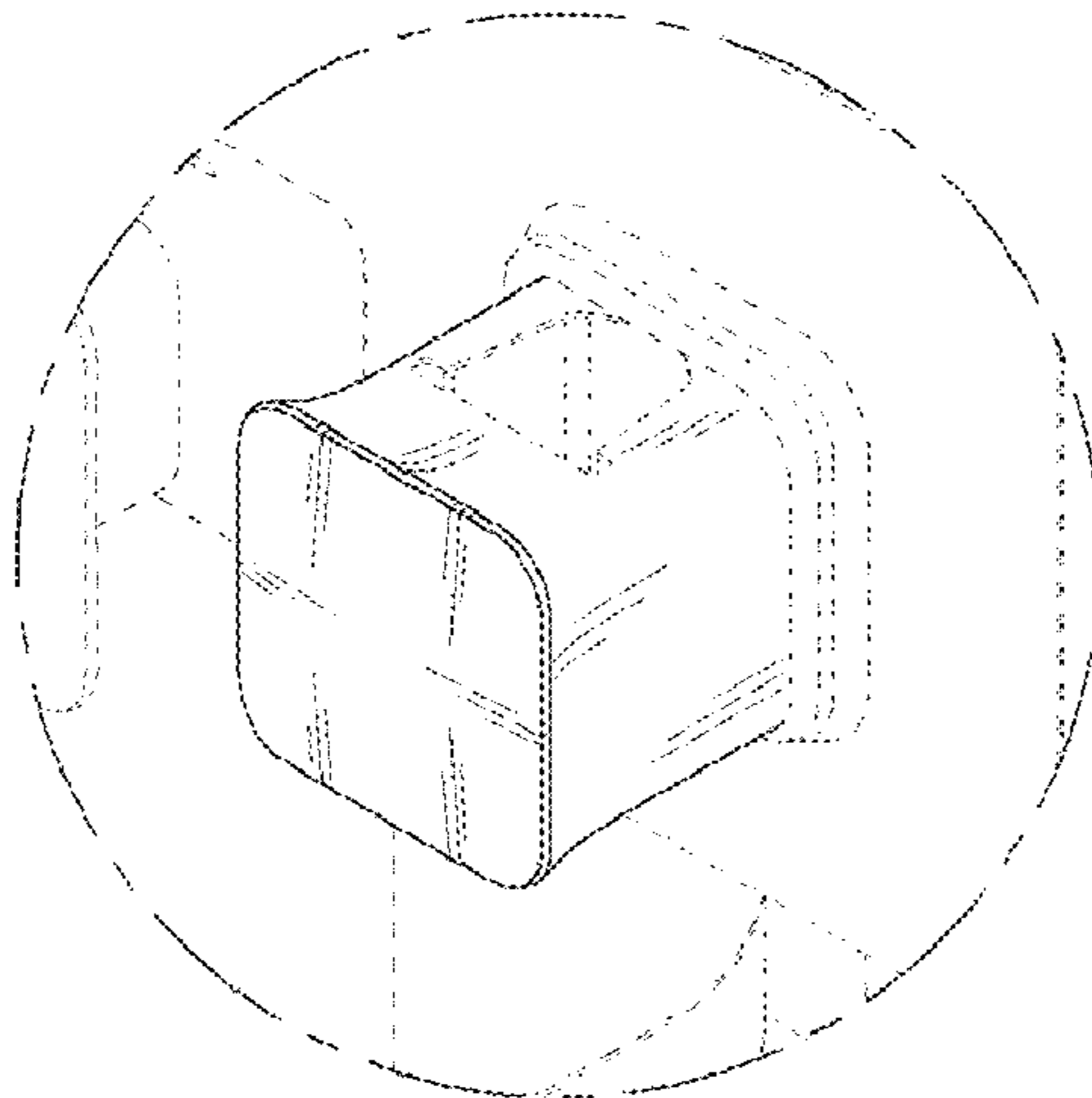


FIG. 1

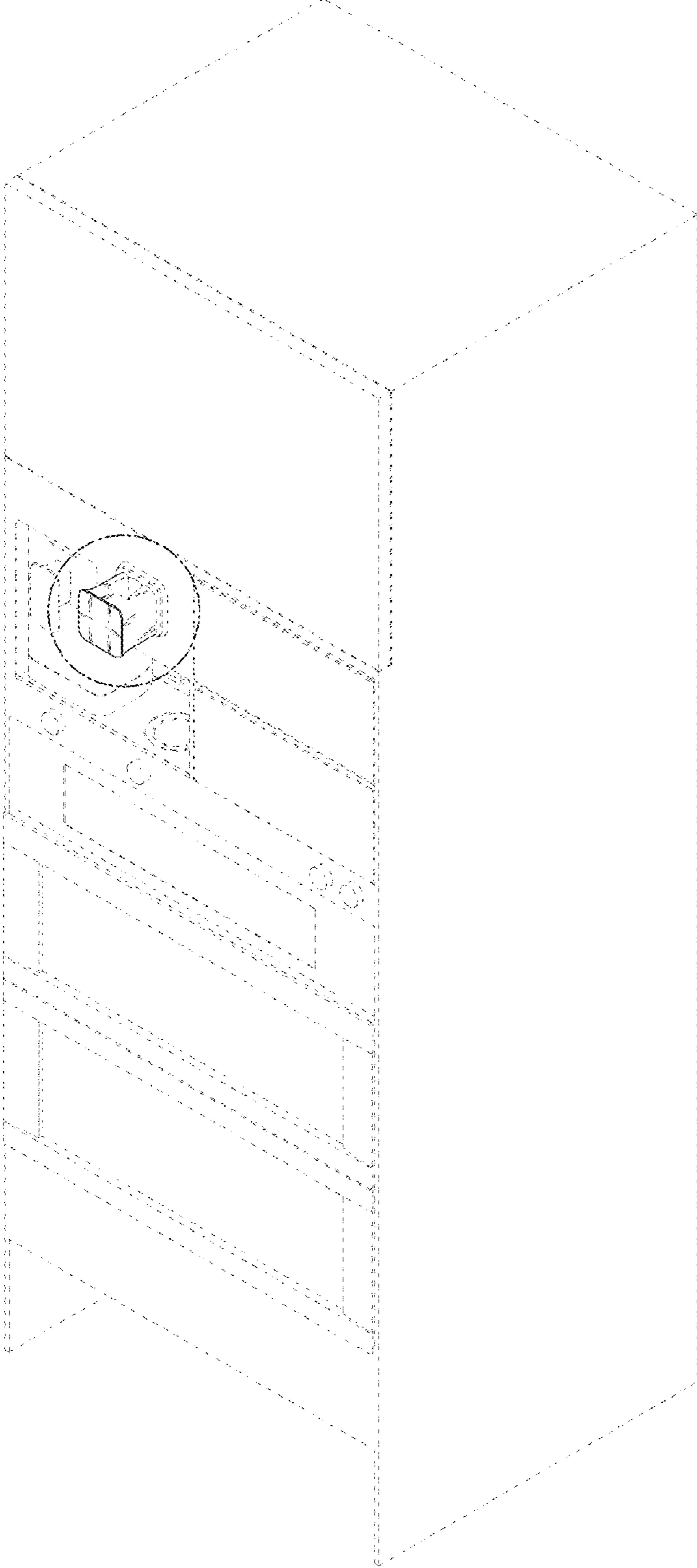


FIG. 2

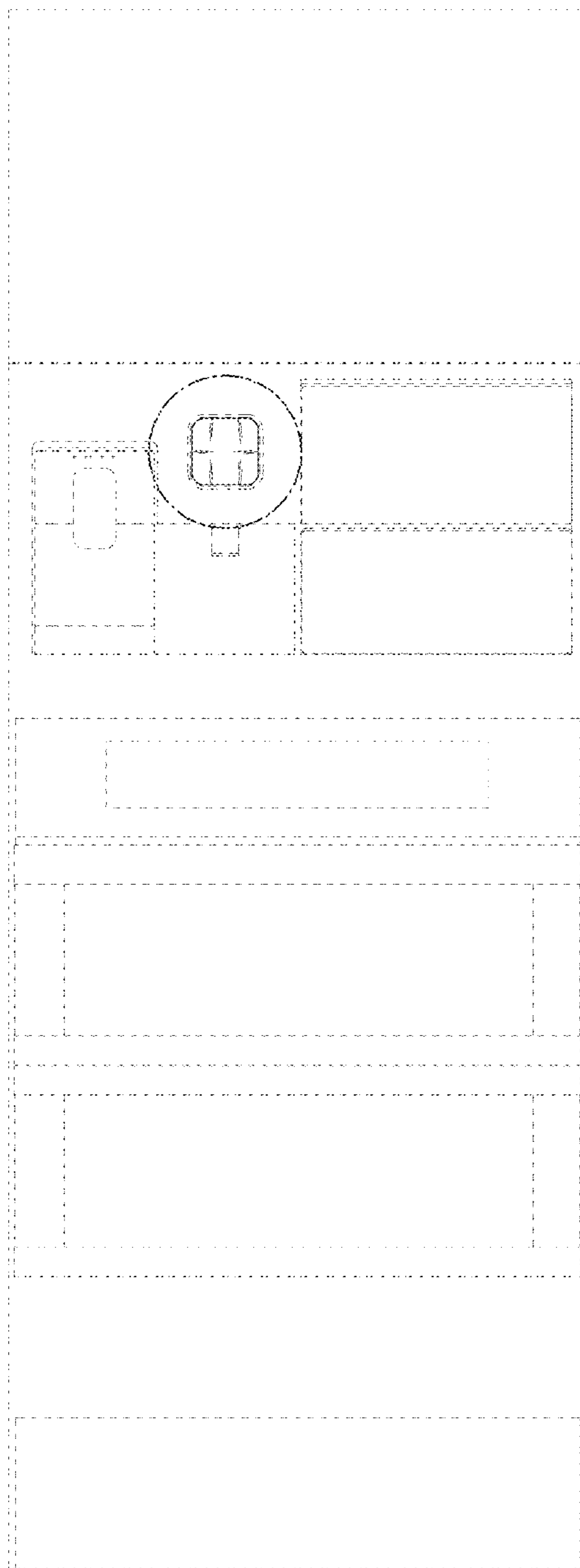


FIG. 3

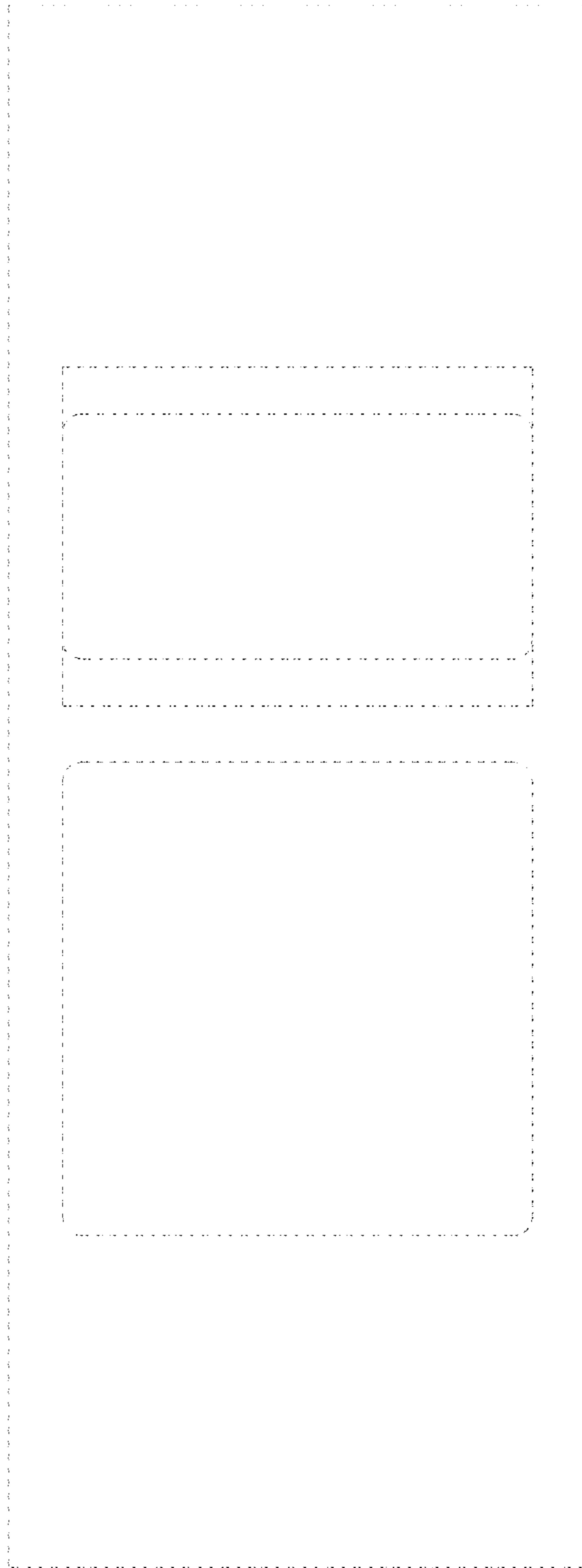


FIG. 4

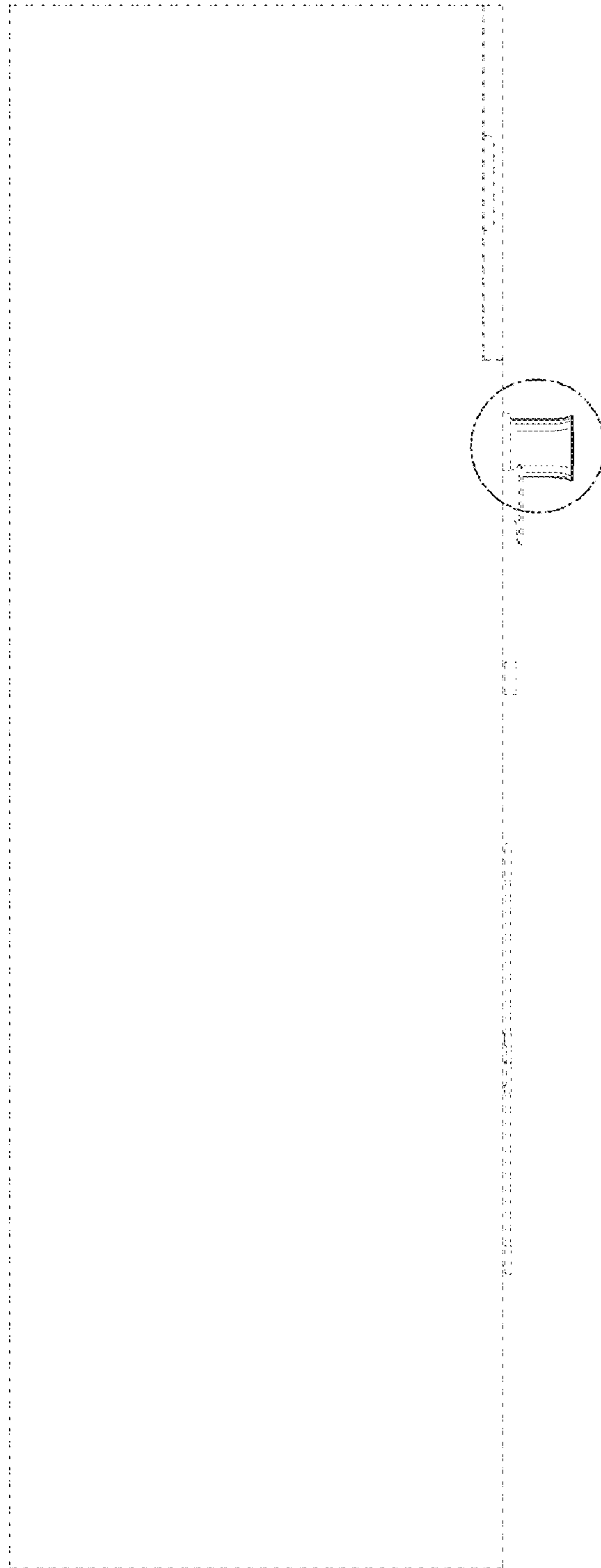


FIG. 5

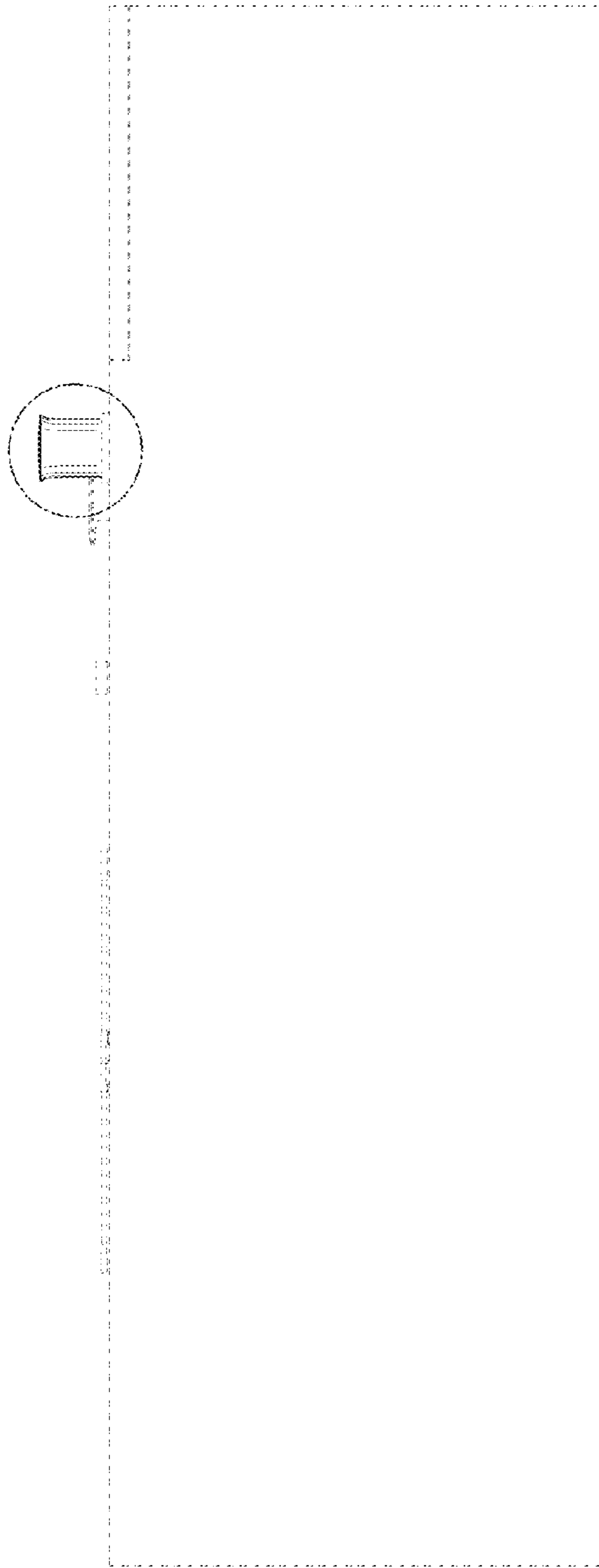


FIG. 6

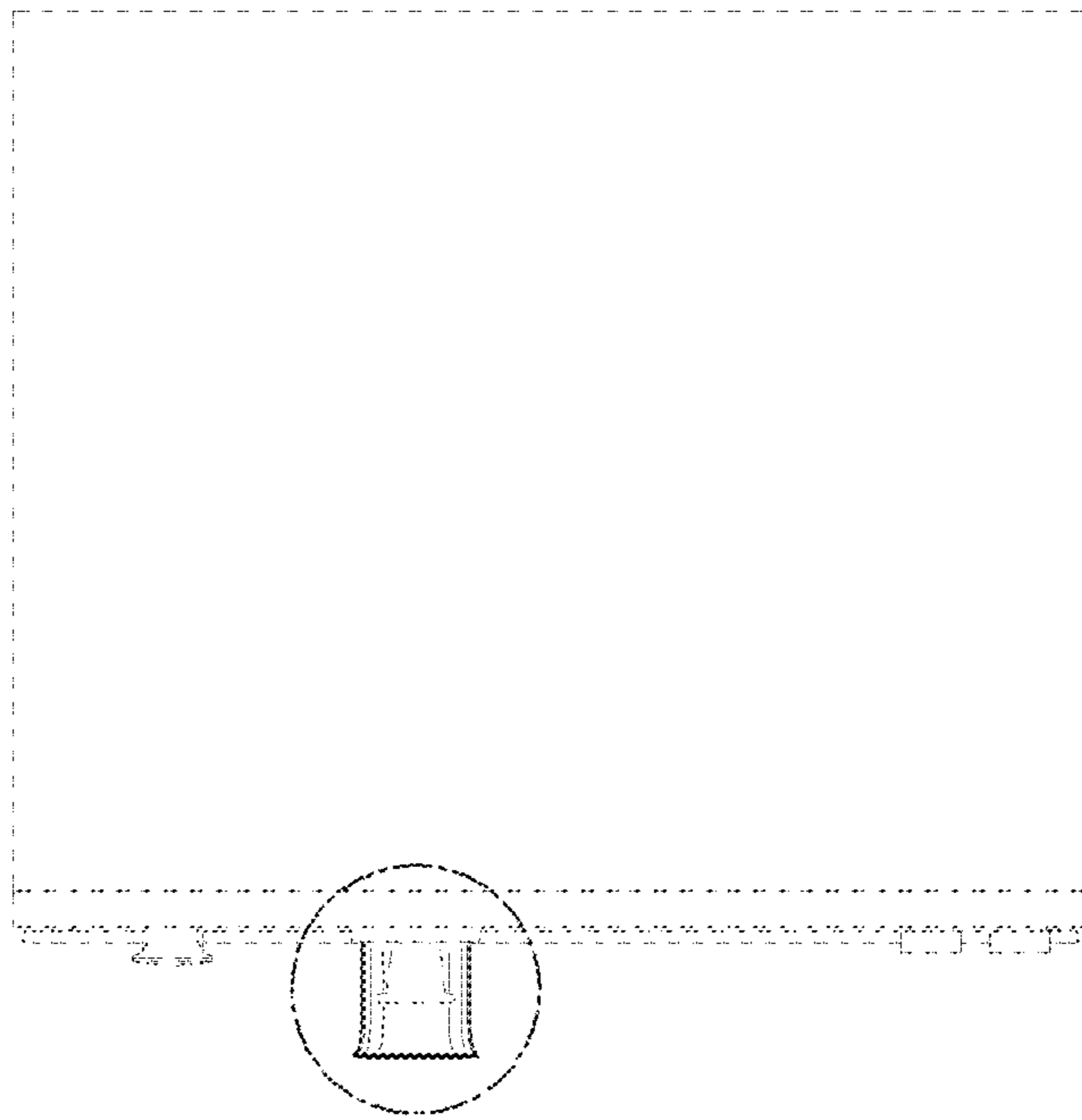


FIG. 7

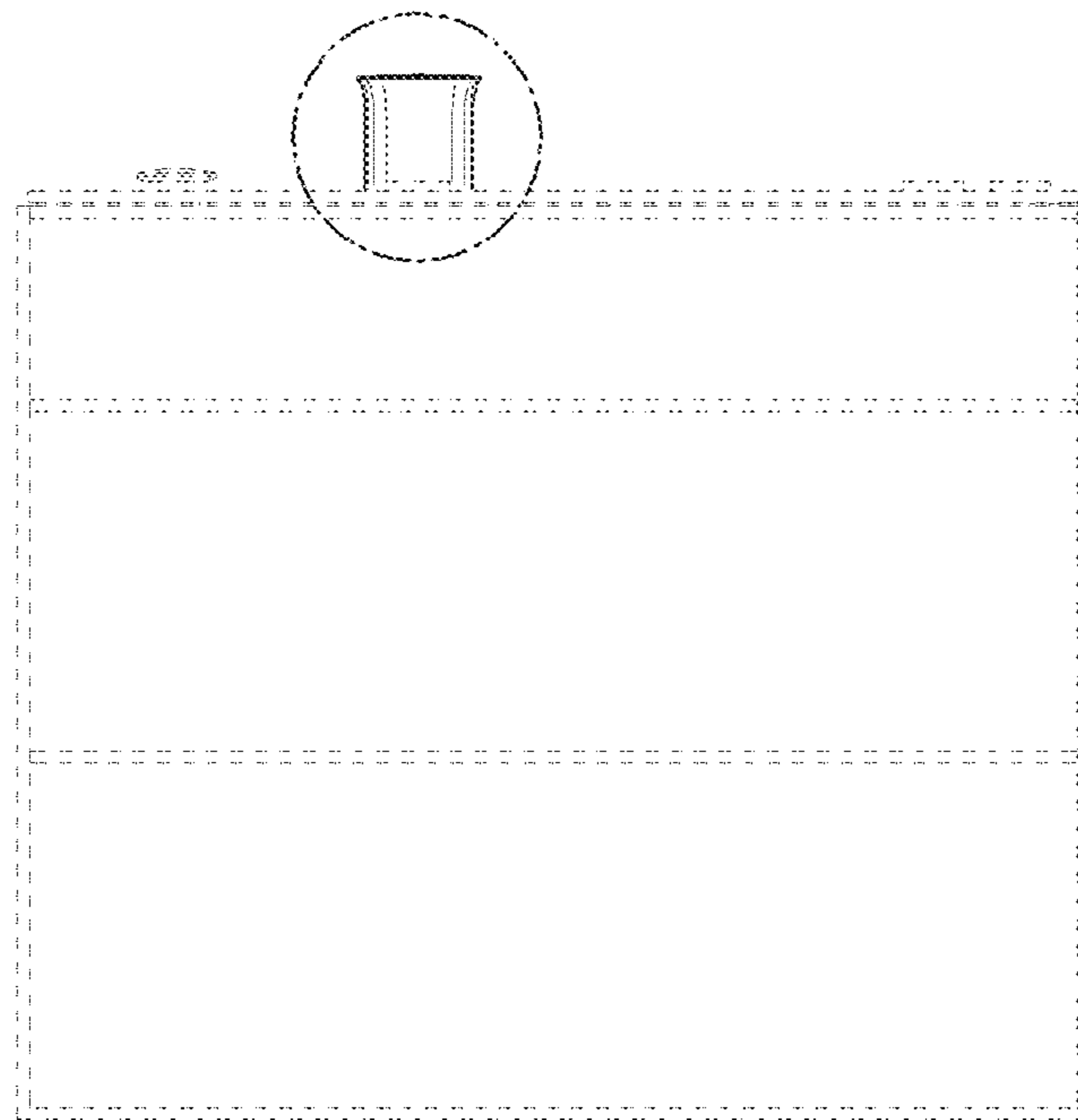




FIG. 8

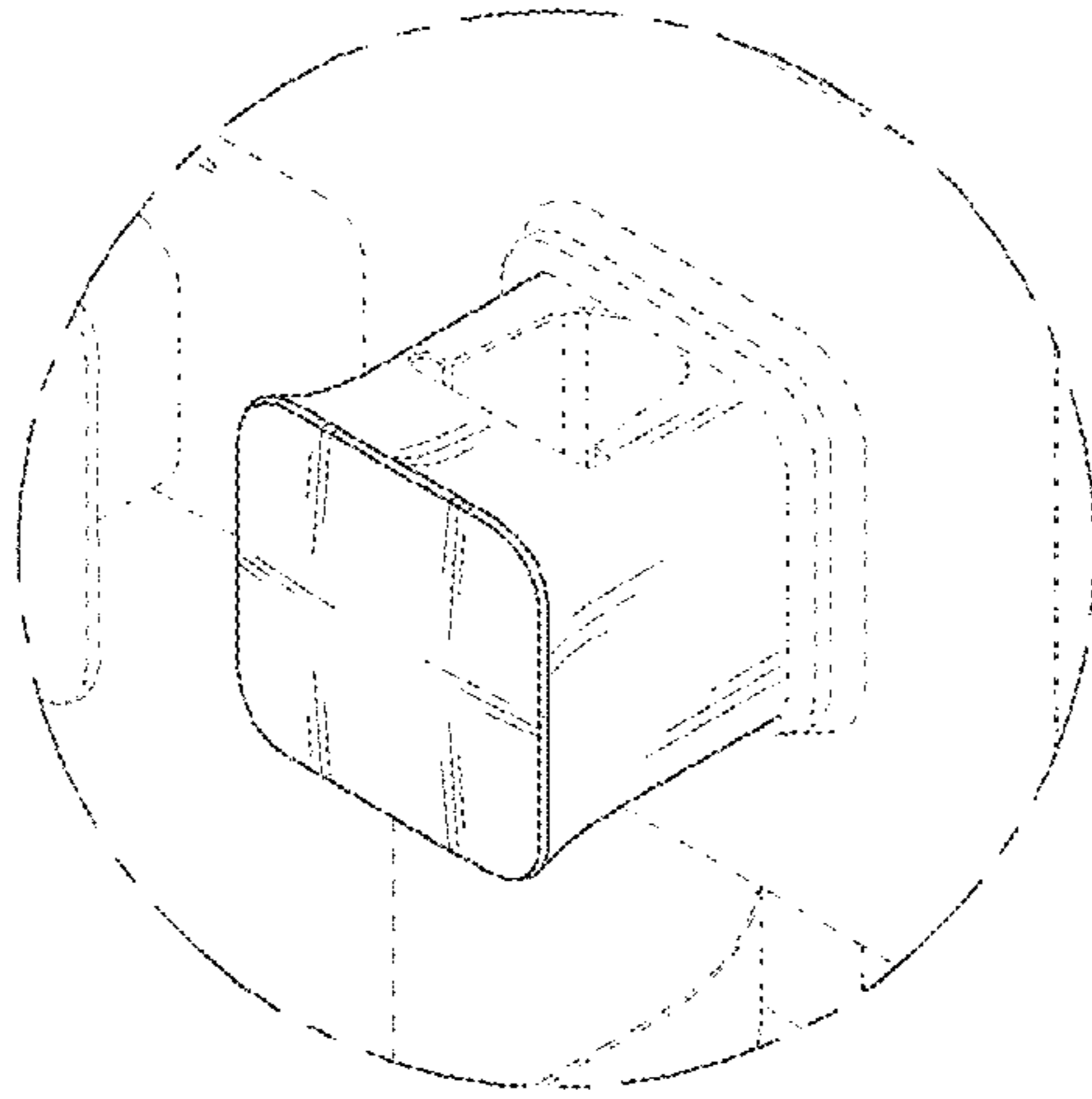


FIG. 9

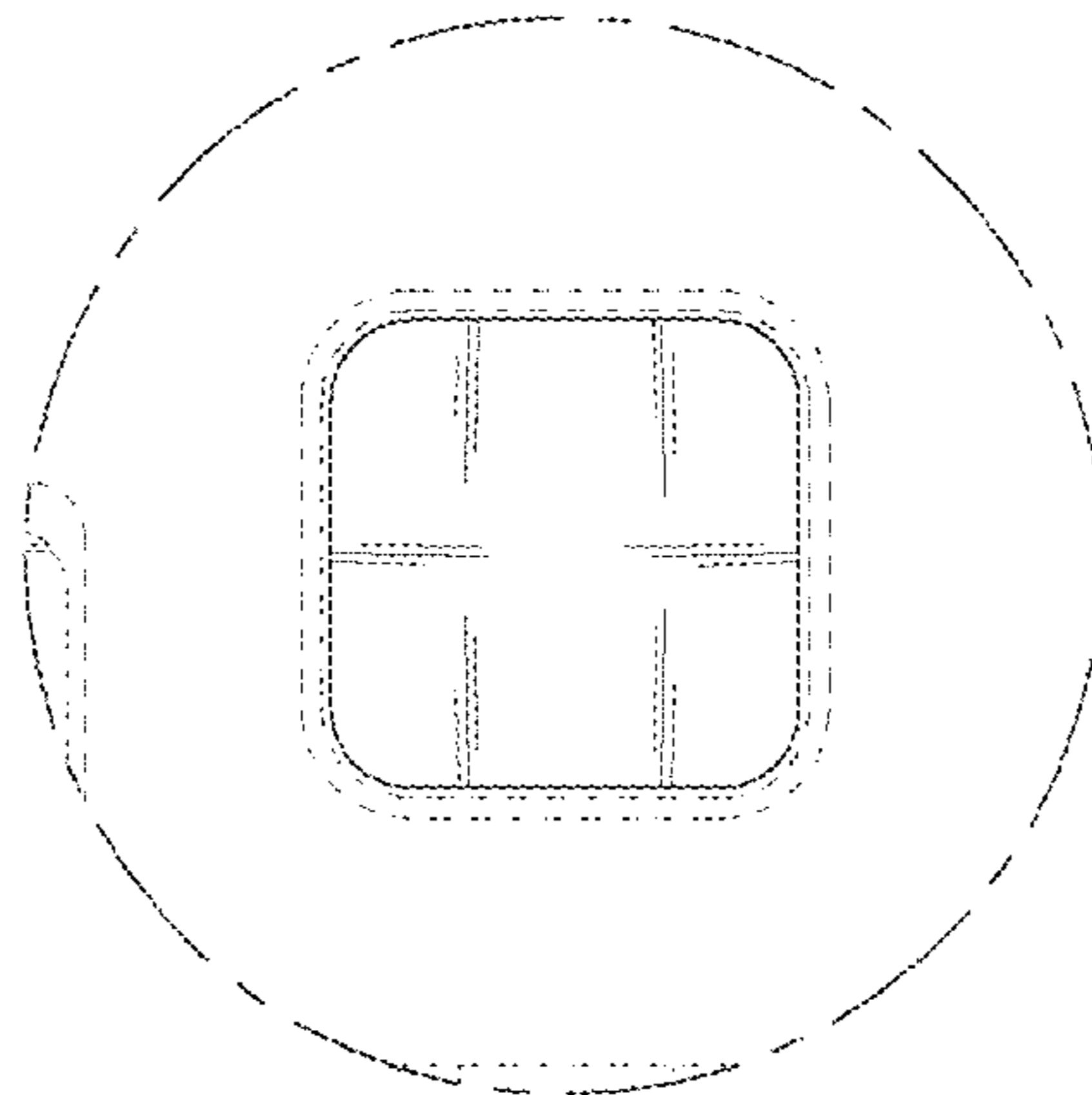


FIG. 10

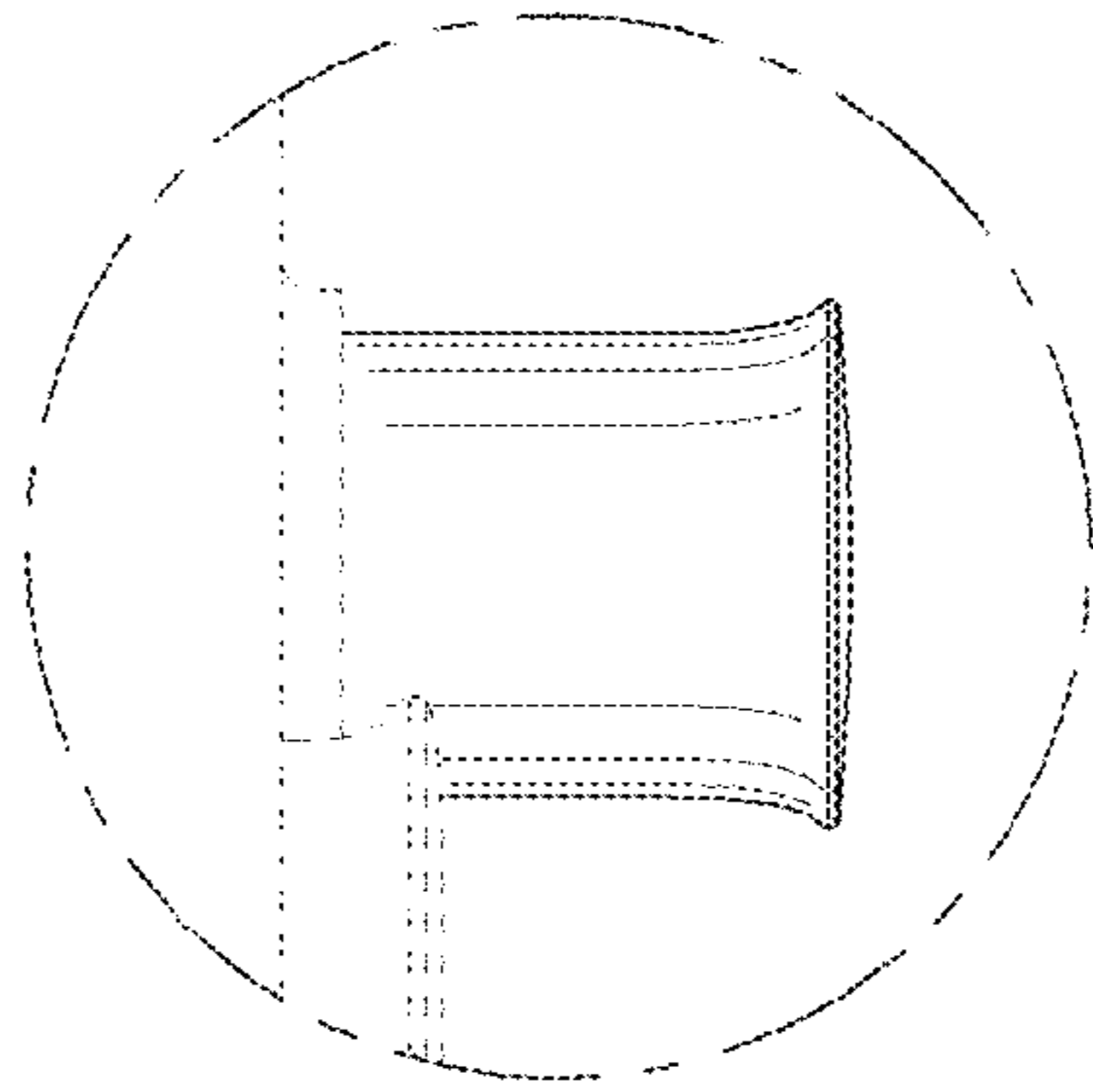


FIG. 11

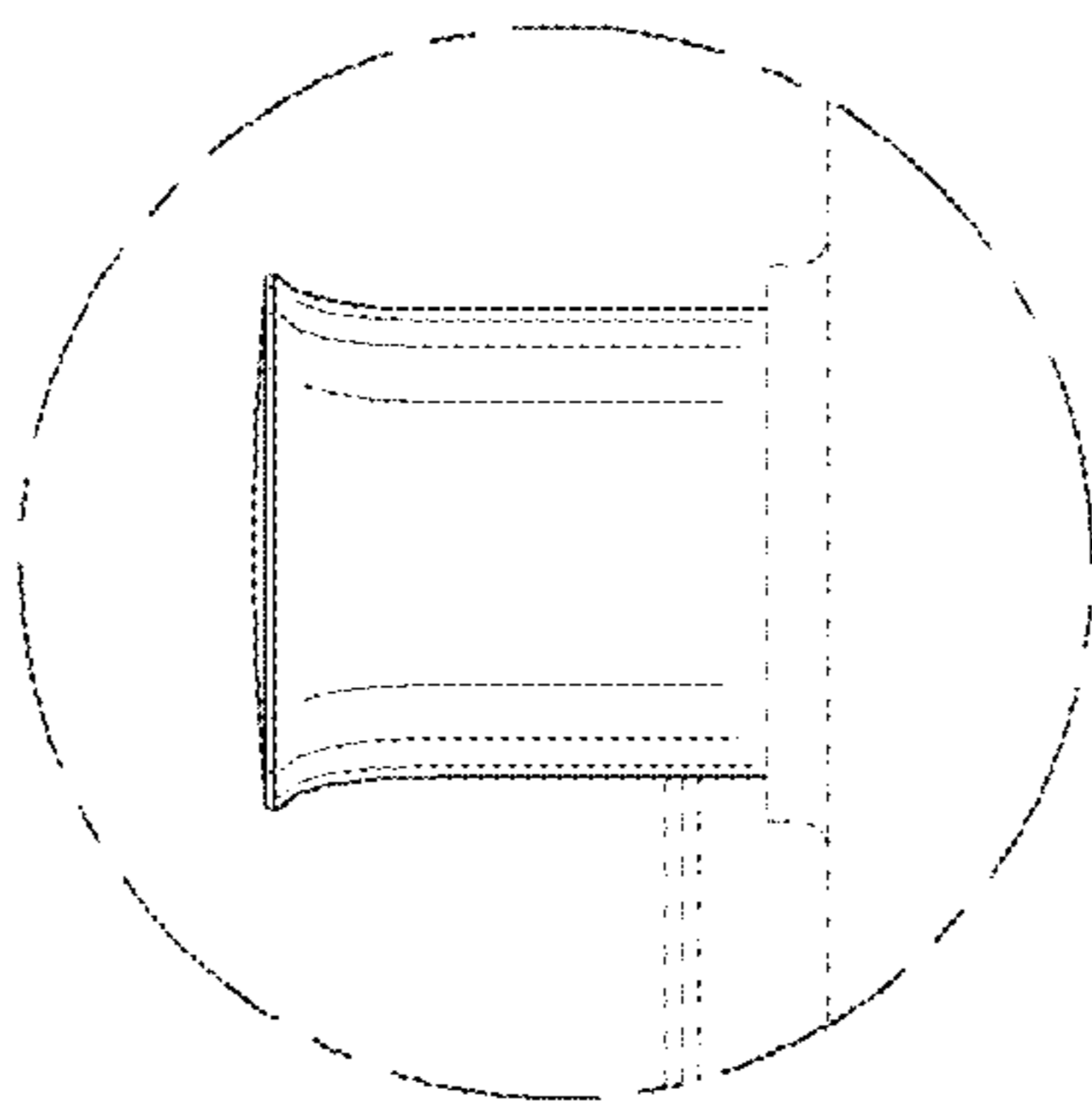


FIG. 12

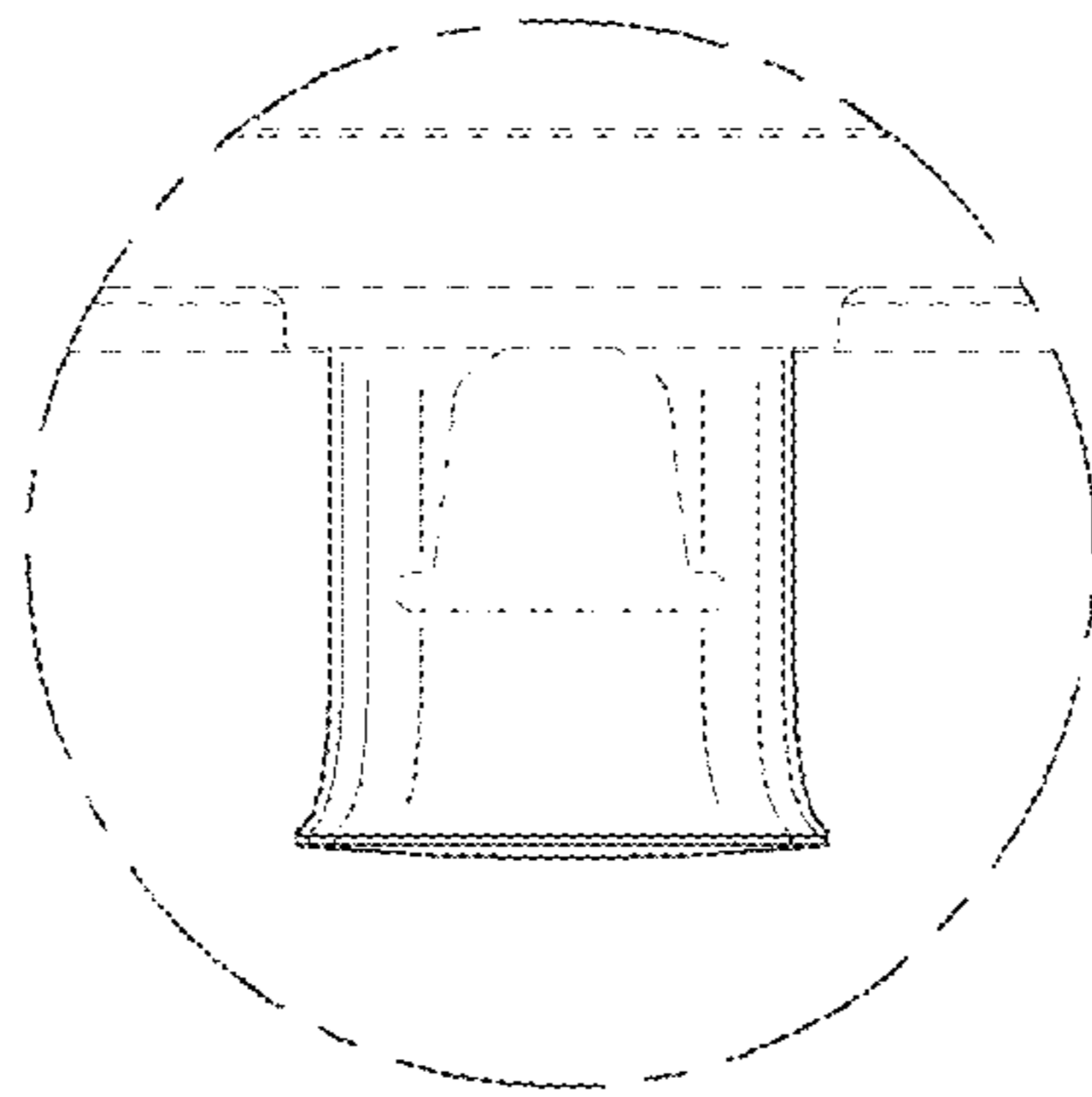


FIG. 13

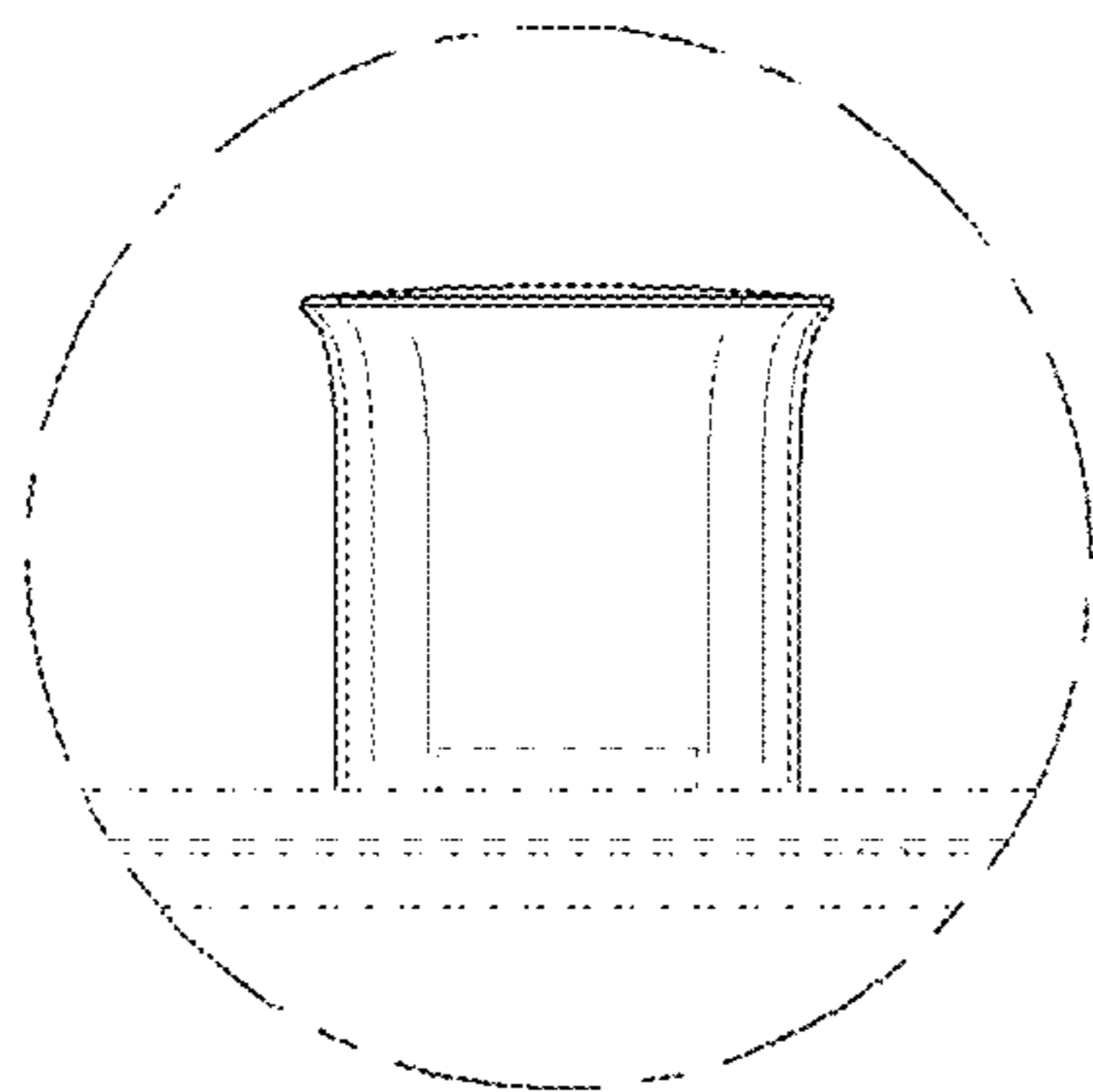


FIG. 14

