



US00D750427S

(12) **United States Design Patent**
Kautto

(10) **Patent No.:** **US D750,427 S**
(45) **Date of Patent:** **** Mar. 1, 2016**

(54) **LID FOR A CONTAINER FOR STORING FOODSTUFFS**

(71) Applicant: **Jouni Kautto**, Eskilstuna (SE)
(72) Inventor: **Jouni Kautto**, Eskilstuna (SE)
(73) Assignee: **Jora Innovation AB**, Eskilstuna (SE)
(**) Term: **14 Years**
(21) Appl. No.: **29/472,402**
(22) Filed: **Nov. 12, 2013**

(30) **Foreign Application Priority Data**

May 11, 2013 (EM) 002235606-0001

(51) **LOC (10) Cl.** **07-01**

(52) **U.S. Cl.**

USPC **D7/392.1; D7/629**

(58) **Field of Classification Search**

USPC D7/391, 392, 392.1, 393, 397, 538, 542, D7/602, 629, 705, 319, 323, 396.2, 398, D7/399, 443, 447, 449, 509, 510, 511, D7/620; D9/424, 430, 435, 449, 452, 453, D9/503, 504, 523, 527, 552, 561, 761, 450, D9/451; 220/212, 213, 231, 260, 287, 305, 220/574, 660, 675, 781, 782, 783, 790, 791, 220/794, 700, 703, 711, 715; 215/10, 11.1, 215/41, 386, 387, 388; 222/465.1, 475.1

CPC A47G 21/145

See application file for complete search history.

(56) **References Cited**

U.S. PATENT DOCUMENTS

RE24,889 E * 10/1960 Tupper 220/792
5,443,174 A * 8/1995 Bauer 220/212
D420,911 S * 2/2000 Panasewicz D9/432
D547,124 S * 7/2007 Peretz D7/538
D669,742 S * 10/2012 Cohen D7/629
D682,609 S * 5/2013 Lindsay et al. D7/392.1
D695,575 S * 12/2013 Katz D7/629
D704,987 S * 5/2014 Stamper et al. D7/392.1
2004/0058038 A1 * 3/2004 Lee 426/107
2009/0184120 A1 * 7/2009 Stevens 220/212.5
2009/0277902 A1 * 11/2009 Darflinger 220/212
2014/0131355 A1 * 5/2014 Jentis et al. 220/212

OTHER PUBLICATIONS

“Eco-Fun with Bento Lunch Box Solutions for Kids”. rockinmama.net. Web. Aug. 12, 2012.*

“Top 20 Best of Best From Red Dot Concept Designs 2010”. p. 10. yankodesign.com. Web. Nov. 29, 2010.*

* cited by examiner

Primary Examiner — Robert M Spear

Assistant Examiner — Kendra L Hamilton

(74) *Attorney, Agent, or Firm* — Dilworth & Barrese, LLP.

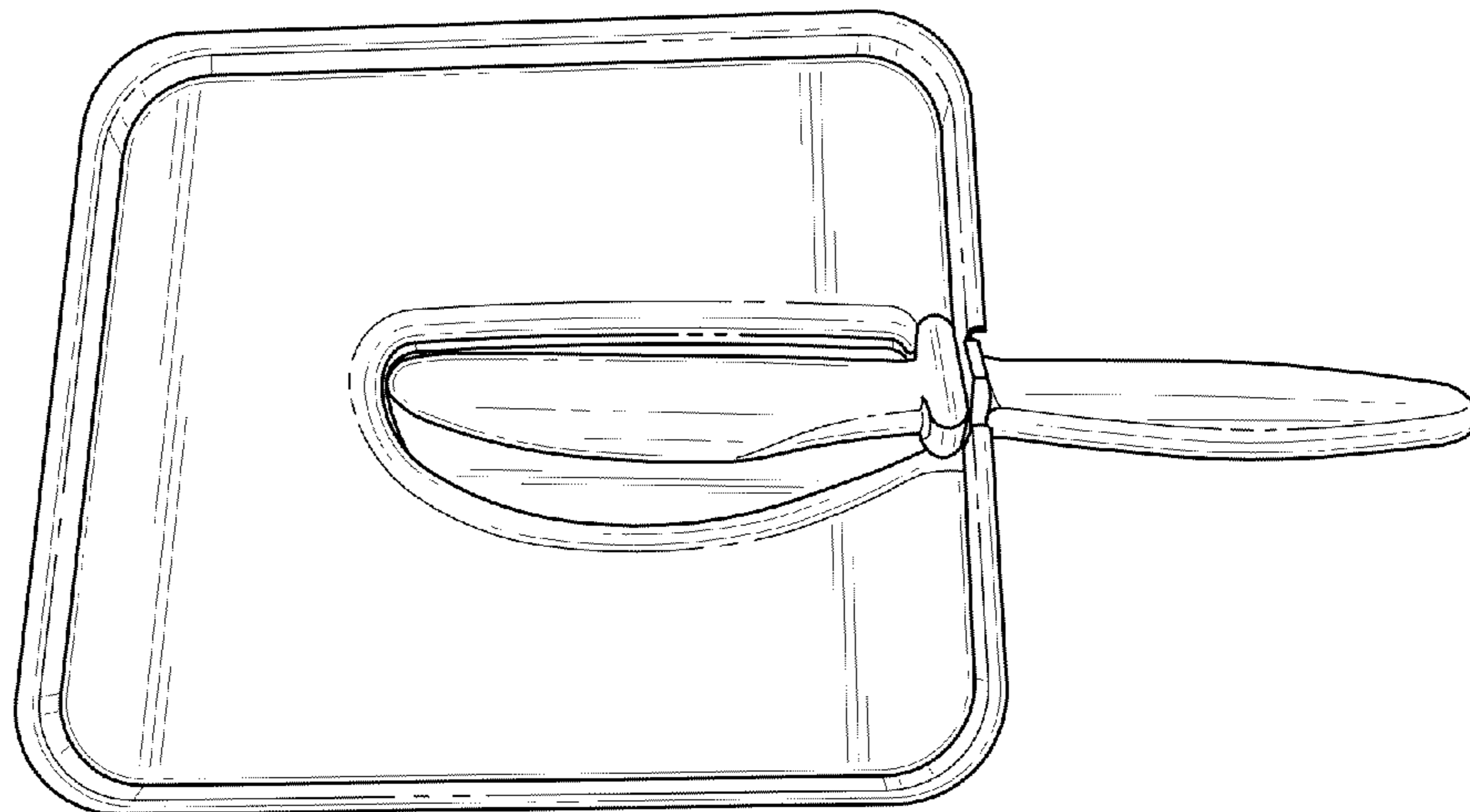
(57) **CLAIM**

The ornamental design for a lid for a container for storing foodstuffs, as shown and described.

DESCRIPTION

FIG. 1 is a bottom perspective view of the lid for a container for storing foodstuffs showing my new design and with a knife positioned thereon; and, FIG. 2 is a top perspective view of the lid for a container for storing foodstuffs of FIG. 1.

1 Claim, 2 Drawing Sheets



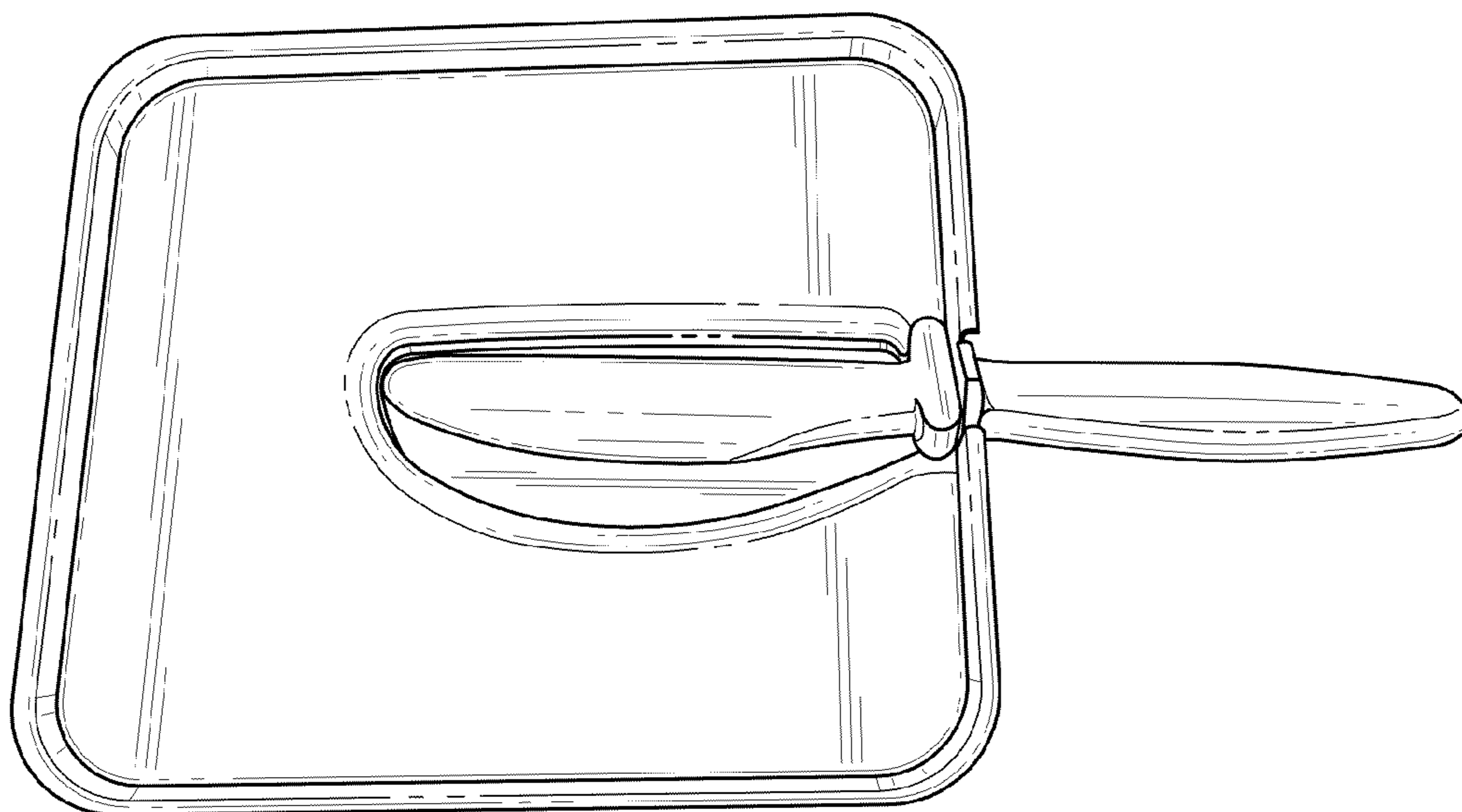


FIG. 1

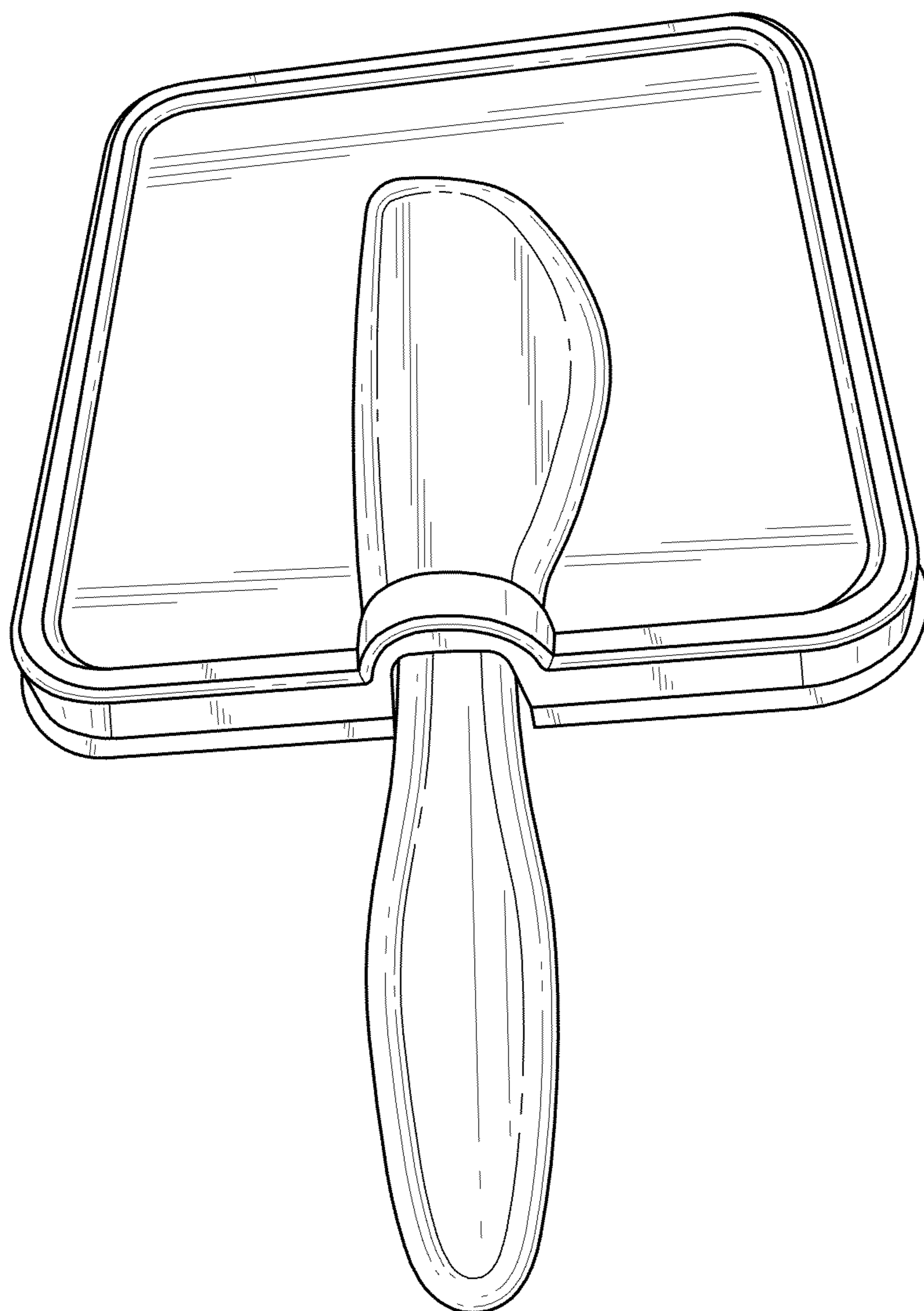


FIG. 2