



US00D750425S

(12) **United States Design Patent**  
**Shirley et al.**

(10) **Patent No.:** **US D750,425 S**  
(45) **Date of Patent:** **\*\* Mar. 1, 2016**

(54) **STORAGE CONTAINER SEAL AND STORAGE CONTAINERS**

D389,012 S 1/1998 Miller  
D445,649 S \* 7/2001 Maxwell ..... D7/629  
D460,665 S 7/2002 Lillelund et al.

(71) Applicant: **Dart Industries Inc.**, Orlando, FL (US)

(Continued)

(72) Inventors: **Nathan E. Shirley**, Orlando, FL (US);  
**Julie L. Yessin**, Orlando, FL (US)

*Primary Examiner* — Ricky Pham

(74) *Attorney, Agent, or Firm* — Taylor J. Ross

(73) Assignee: **Dart Industries Inc.**, Orlando, FL (US)

(57) **CLAIM**

The ornamental design for a storage container seal and storage containers, as shown and described.

(\*\*) Term: **14 Years**

**DESCRIPTION**

(21) Appl. No.: **29/496,896**

This application is related to co-pending application Ser. Nos. 29/496,891; 29/496,893; and 29/496,897, which are incorporated by reference herein.

(22) Filed: **Jul. 18, 2014**

(51) **LOC (10) Cl.** ..... **07-02**

FIG. 1 is a top, right and front perspective view of a storage container seal showing our new design, shown without the base for completeness of disclosure;

(52) **U.S. Cl.**

USPC ..... **D7/391**

FIG. 2 is a top plan view thereof;

(58) **Field of Classification Search**

USPC ..... D7/391, 392, 392.1, 393, 397, 601–602, D7/629–630, 538–542; D9/414, 424–432, D9/435, 451–452

FIG. 3 is a bottom plan view thereof;

CPC ..... A47J 36/027; A47J 36/06; A47J 37/10;

FIG. 4 is a right side elevation view thereof;

A47J 37/101; B65D 21/0209; B65D 43/00;

FIG. 5 is a left side elevation view thereof;

B65D 43/02; B65D 43/0206; B65D 43/021;

FIG. 6 is a front elevation view thereof;

B65D 43/022; B65D 43/161; B65D 43/162;

FIG. 7 is a rear elevation view thereof;

B65D 45/00; B65D 45/16; B65D 45/18;

FIG. 8 is a cross-sectional view taken along line 8-8 of FIG. 2;

B65D 51/16; B65D 51/1683; B65D 51/1688;

FIG. 9 is a cross-sectional view taken along line 9-9 of FIG. 2;

B65D 51/1694; B65D 2251/00; B65F 1/1615

FIG. 10 is a detail cross-sectional view taken along line 10-10 of FIG. 2;

See application file for complete search history.

FIG. 11 is a top, right and front perspective view of a storage container showing our new design;

(56) **References Cited**

**U.S. PATENT DOCUMENTS**

D285,906 S \* 9/1986 Tyler ..... D9/425  
D287,573 S \* 1/1987 Tyler ..... D7/391  
D321,111 S 10/1991 Wolff  
D321,456 S 11/1991 Wolff  
D325,847 S 5/1992 Wolff  
D326,979 S 6/1992 Wolff  
D375,654 S 11/1996 Ferris  
D378,563 S 3/1997 Ferris

FIG. 12 is a top plan view thereof;

FIG. 13 is a bottom plan view thereof;

FIG. 14 is a right side elevation view thereof;

FIG. 15 is a left side elevation view thereof;

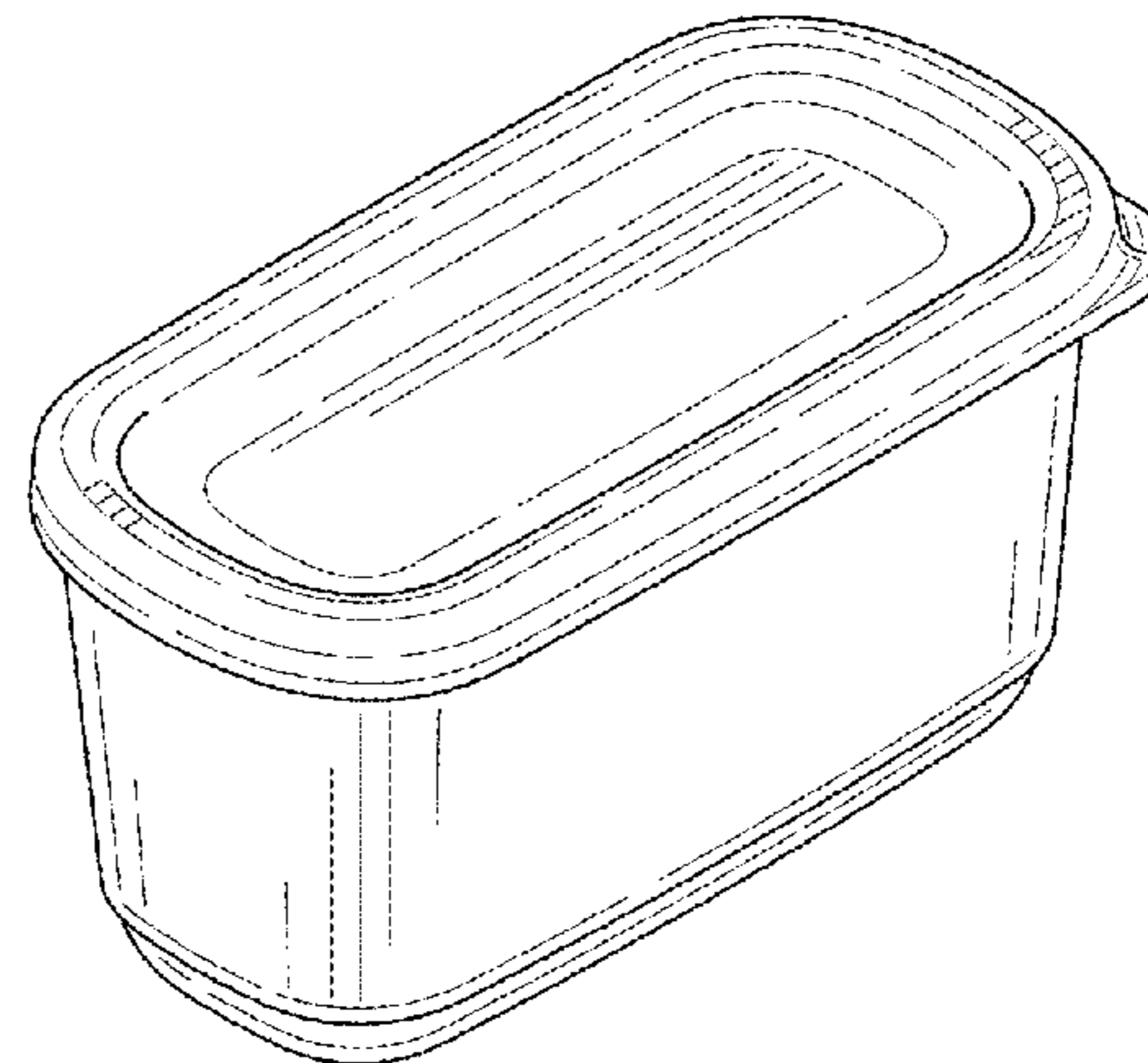
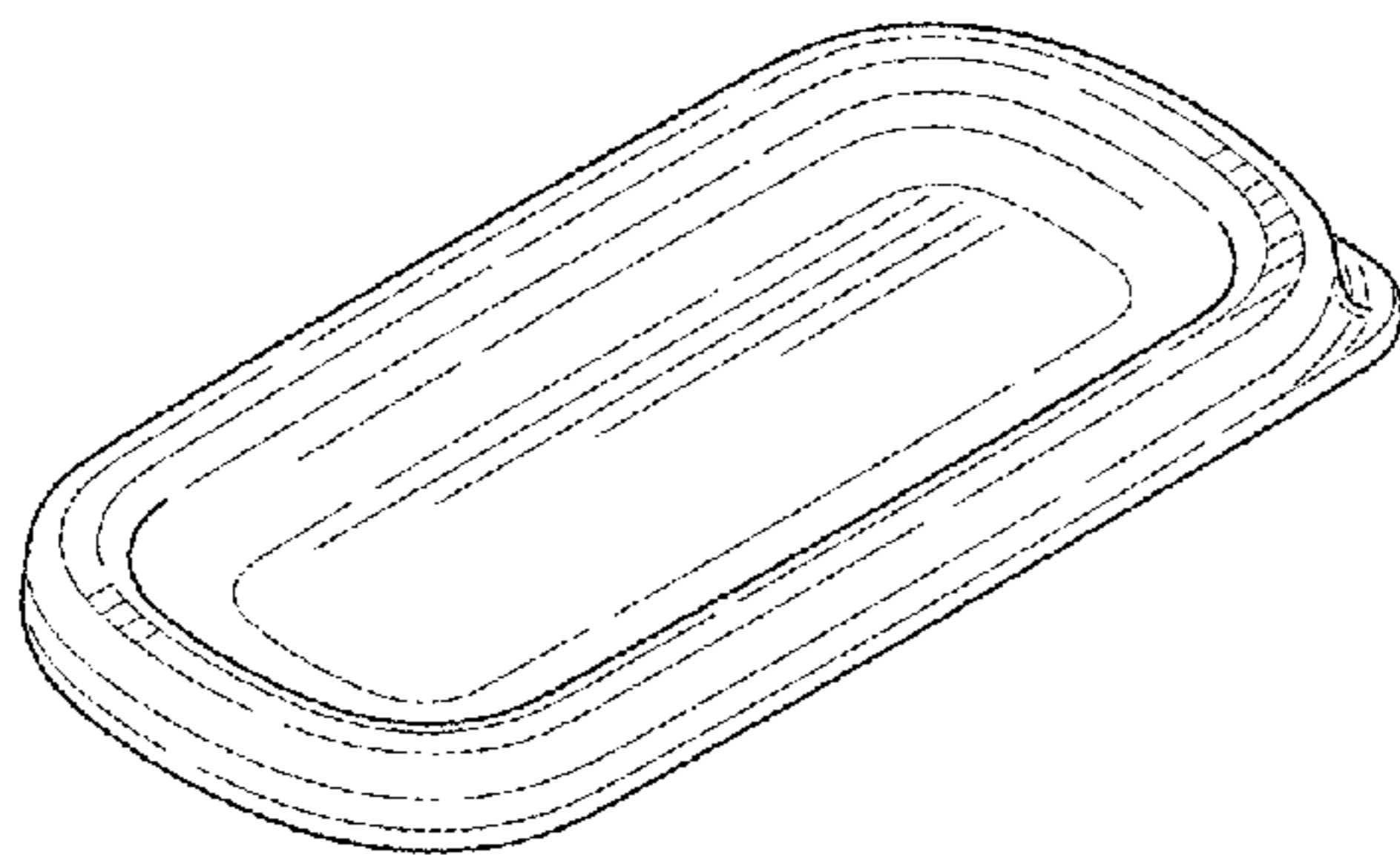
FIG. 16 is a front elevation view thereof;

FIG. 17 is a rear elevation view thereof;

FIG. 18 is a cross-sectional view taken along line 18-18 of FIG. 12; and,

FIG. 19 is a cross-sectional view taken along line 19-19 of FIG. 12.

**1 Claim, 4 Drawing Sheets**



(56)

References Cited

U.S. PATENT DOCUMENTS

D462,880 S *	9/2002	Maxwell	.....	D7/629	D615,349 S *	5/2010	Furlong	.....	D7/392.1
D465,382 S *	11/2002	Wolf	.....	D7/392.1	D652,672 S	1/2012	Easton		
D485,468 S *	1/2004	Roth	.....	D7/392.1	D676,285 S	2/2013	Shirley et al.		
D489,975 S *	5/2004	Jackson	.....	D9/425	D677,996 S	3/2013	Shirley et al.		
D505,839 S *	6/2005	Stanos	.....	D7/629	D682,687 S *	5/2013	McCumber	.....	D9/435
D505,840 S *	6/2005	Schultz	.....	D7/629	D686,450 S *	7/2013	Yessin	.....	D7/392.1
D512,278 S *	12/2005	Schultz	.....	D7/629	D696,559 S *	12/2013	Song	.....	D7/629
D516,859 S *	3/2006	Zettle	.....	D7/392.1	D698,199 S	1/2014	Yessin et al.		
D521,380 S *	5/2006	Jackson	.....	D9/425	D700,482 S	3/2014	Yessin et al.		
D547,115 S *	7/2007	Bouveret	.....	D7/392.1	D700,483 S	3/2014	Yessin et al.		
D551,496 S	9/2007	Ablo et al.			D716,603 S	11/2014	Yessin et al.		
D551,515 S	9/2007	Ablo et al.			D730,112 S *	5/2015	Yessin	.....	D7/392.1
D584,145 S *	1/2009	Young	.....	D9/435	D733,503 S *	7/2015	Bagley	.....	D7/629
D585,699 S *	2/2009	Furlong	.....	D7/392.1	D738,161 S *	9/2015	Yessin	.....	D7/391
D611,807 S *	3/2010	Miga, Jr.	.....	D9/424	D740,601 S *	10/2015	Carlson	.....	D7/391
					D742,224 S *	11/2015	Thurin	.....	D7/629
					2011/0114638 A1 *	5/2011	Kettner	.....	B65D 43/021 220/260

\* cited by examiner

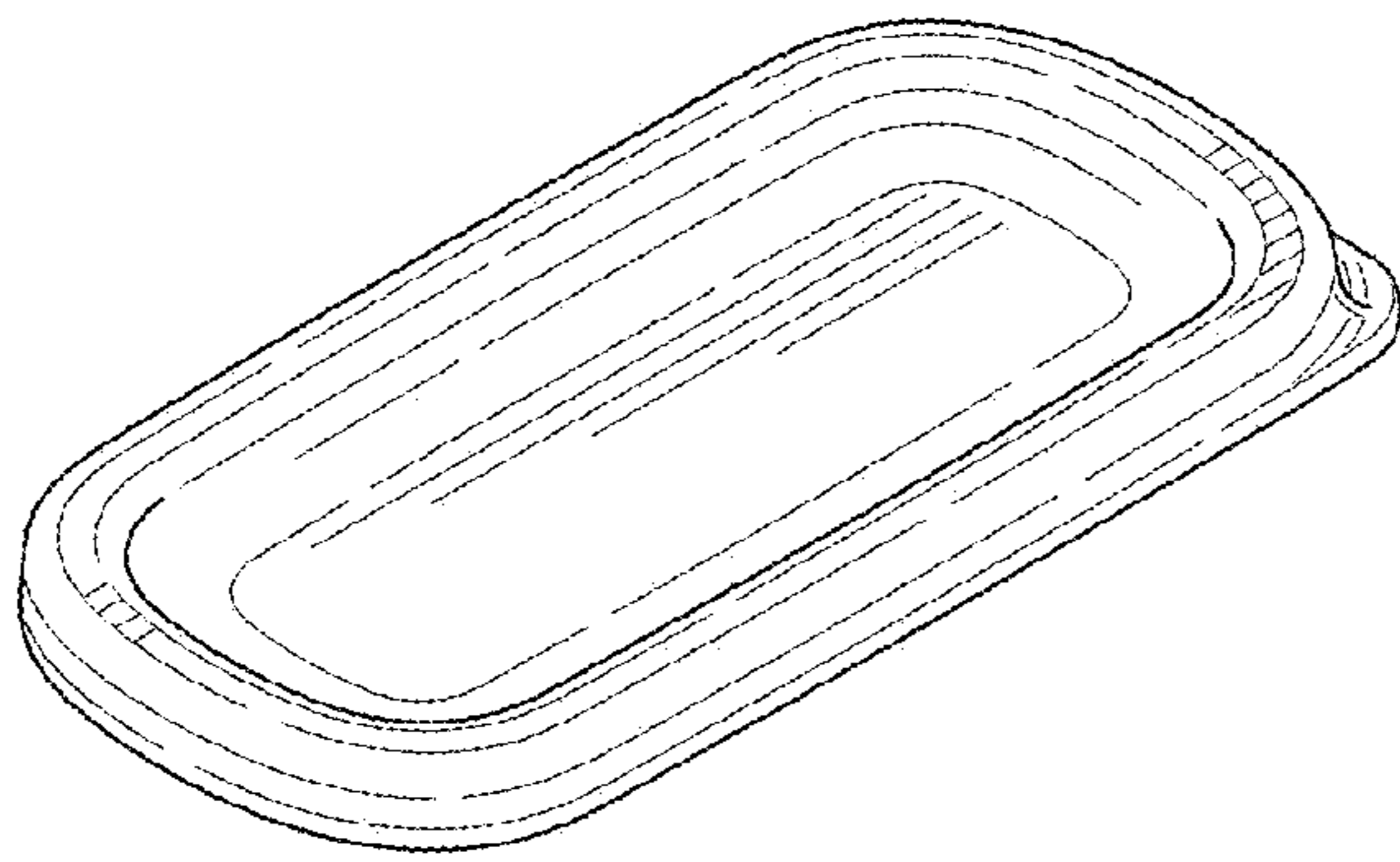


FIG. 1

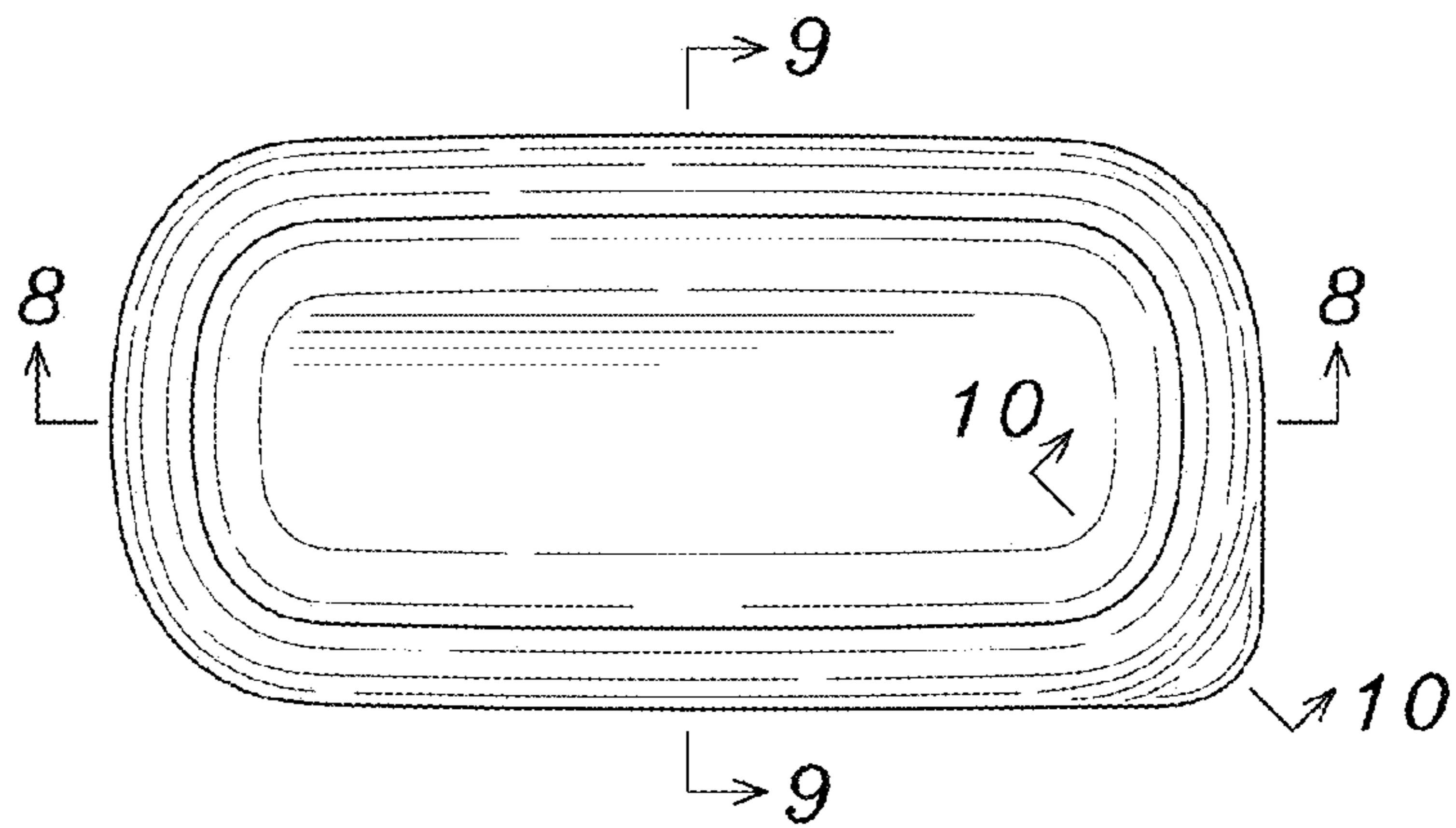


FIG. 2

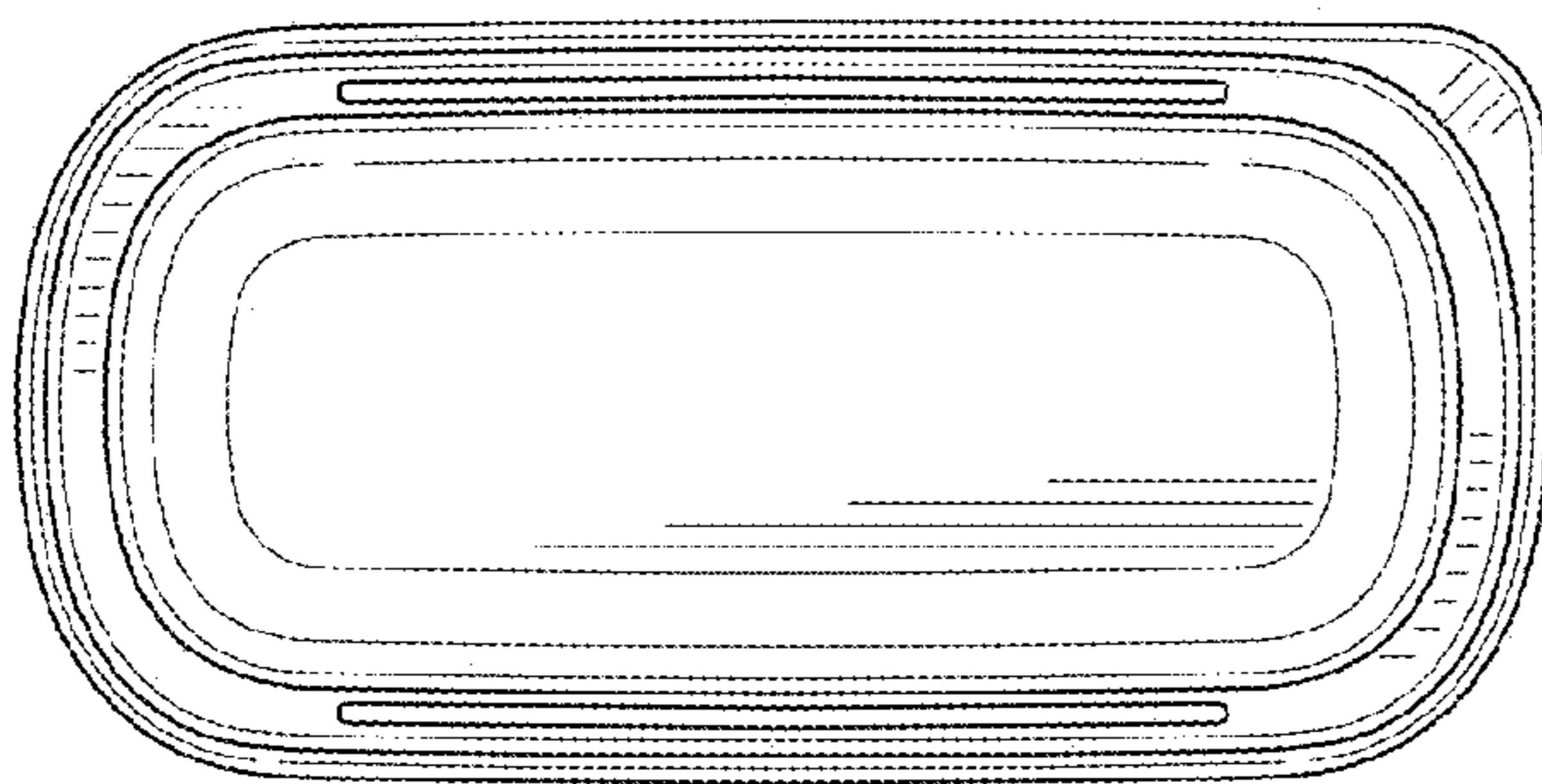


FIG. 3

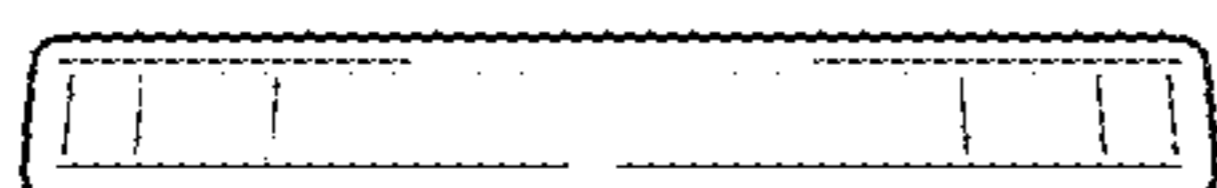


FIG. 4

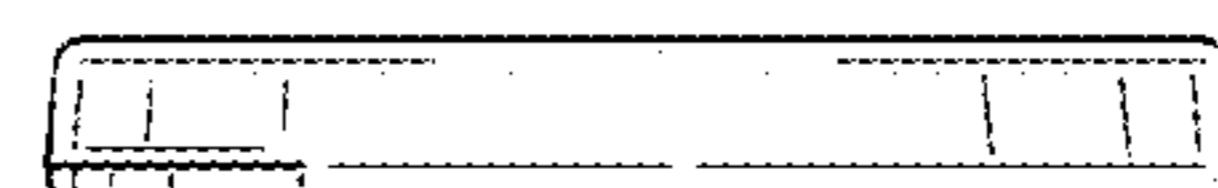


FIG. 5



FIG. 6

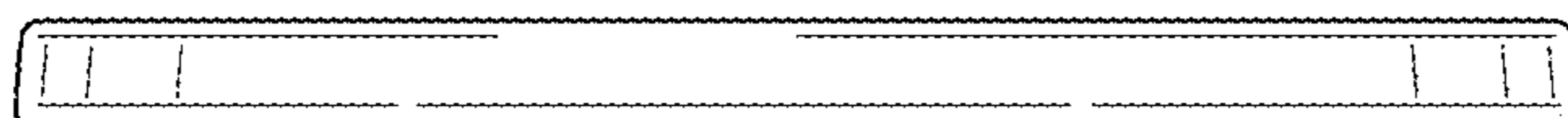


FIG. 7

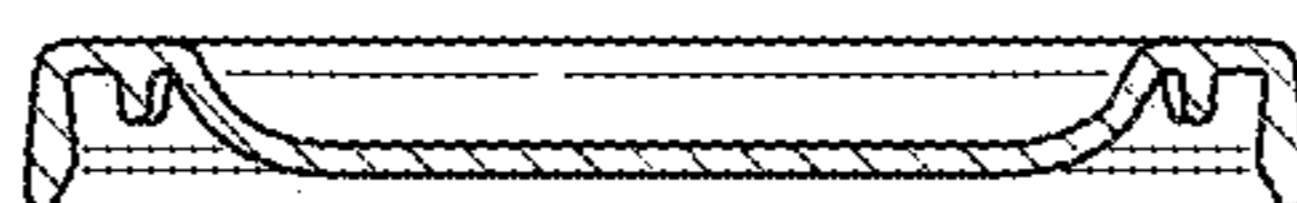


FIG. 8

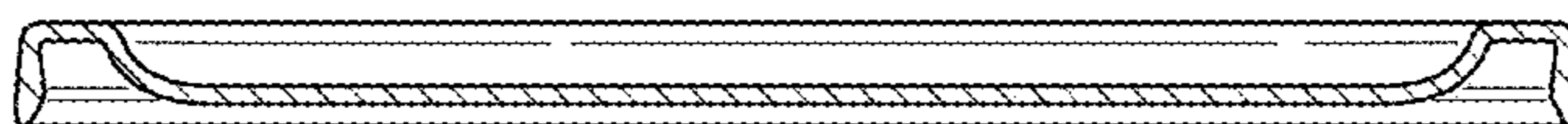


FIG. 9



FIG. 10

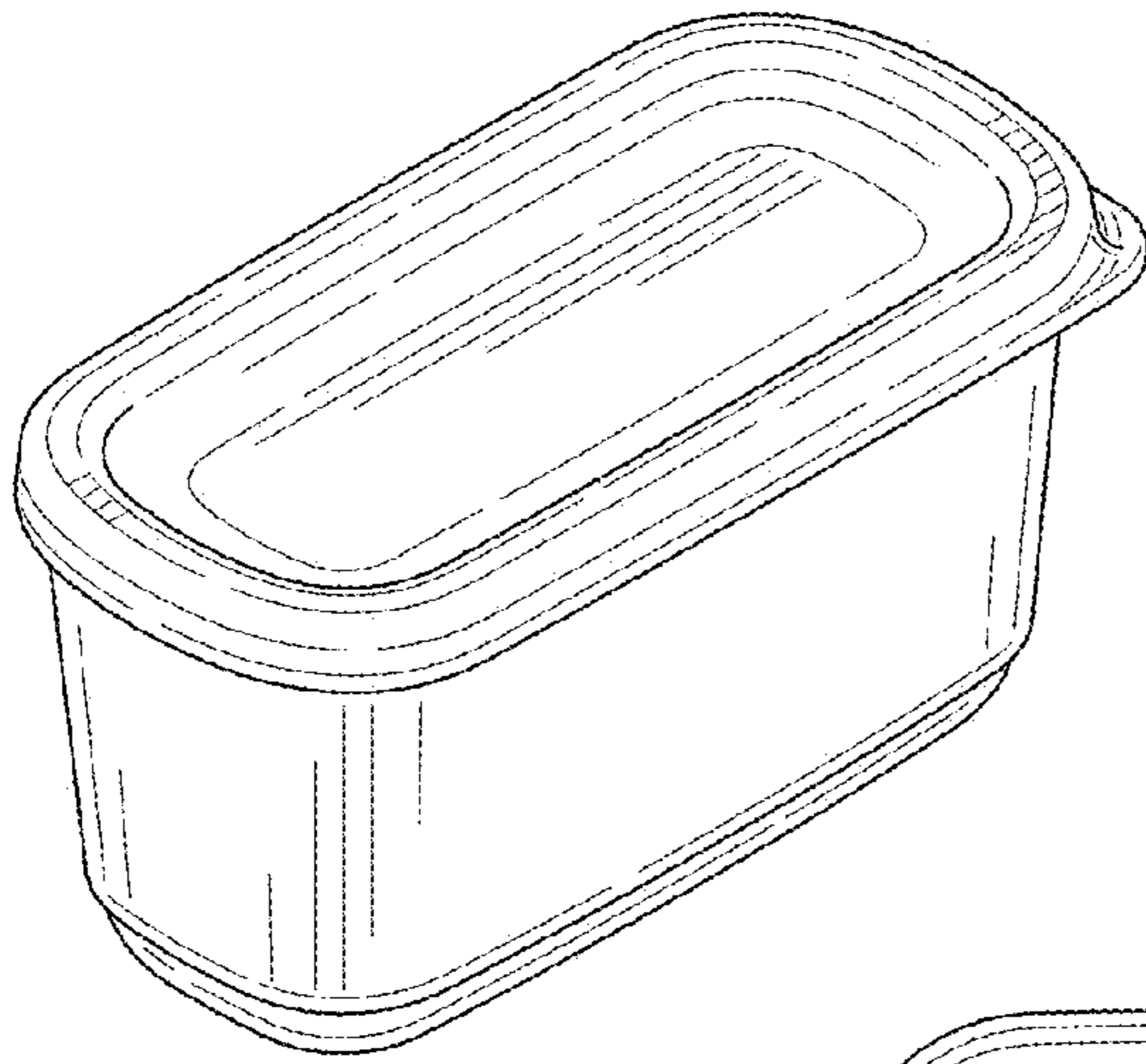


FIG. 11

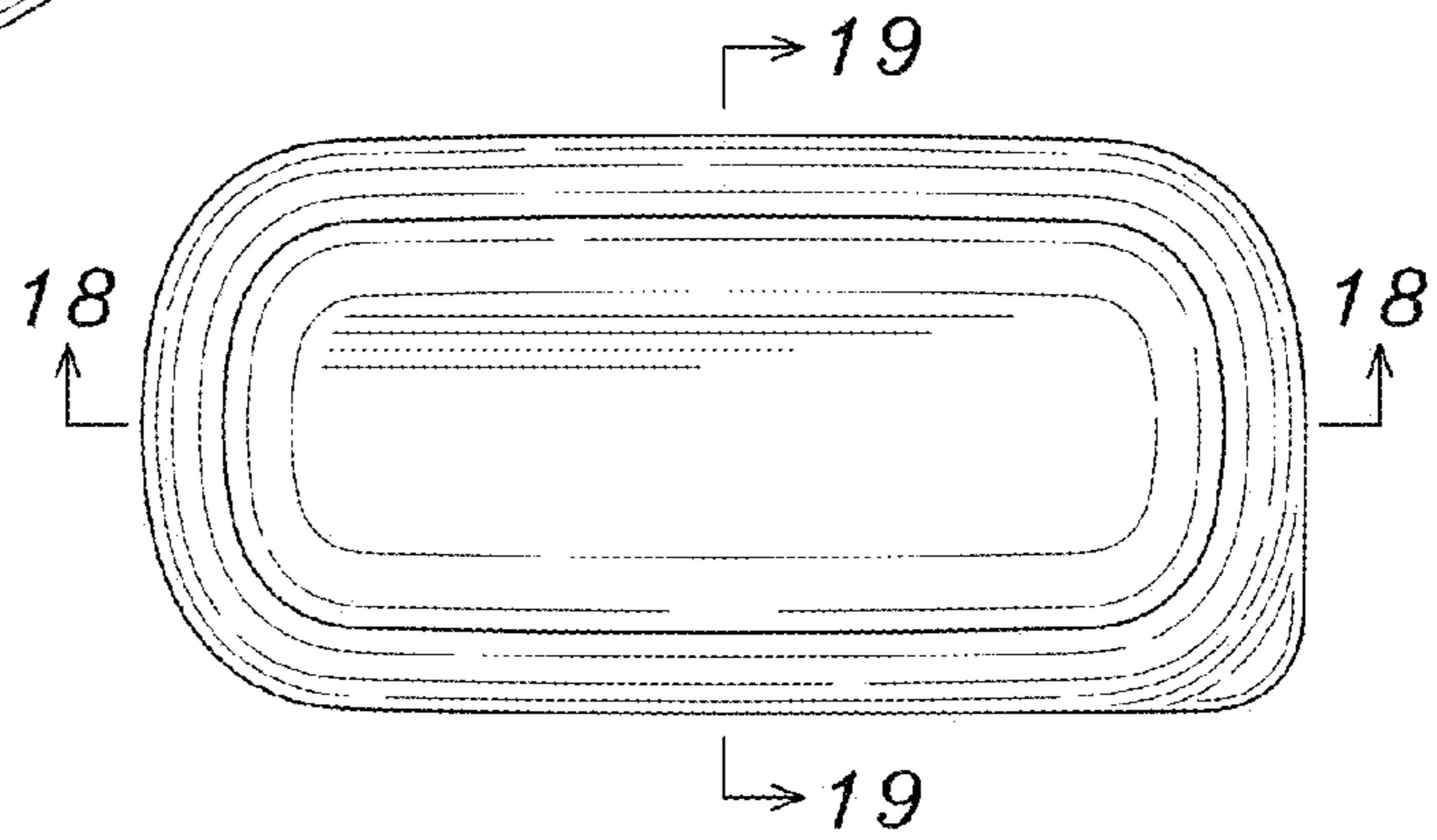


FIG. 12

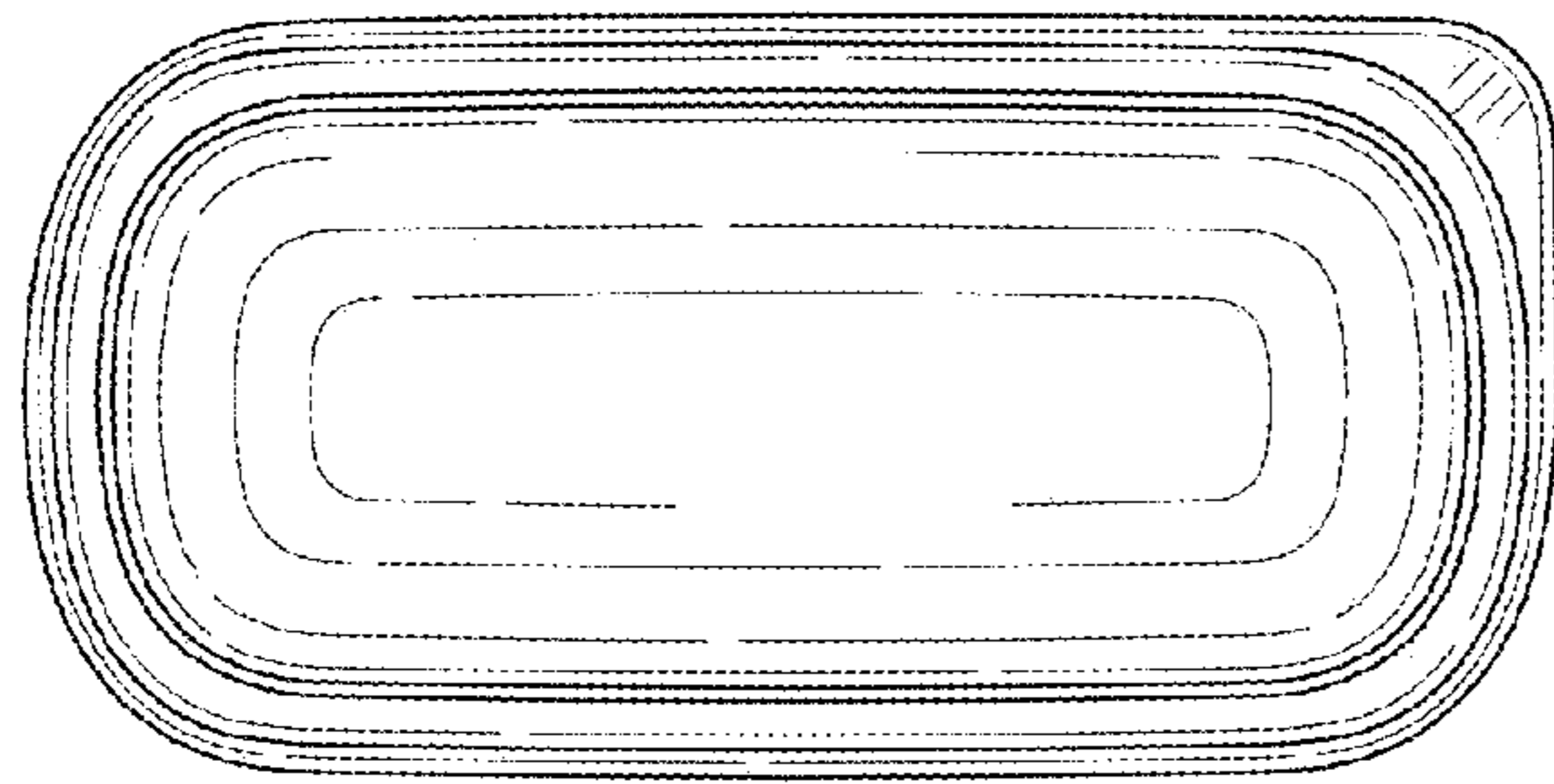


FIG. 13

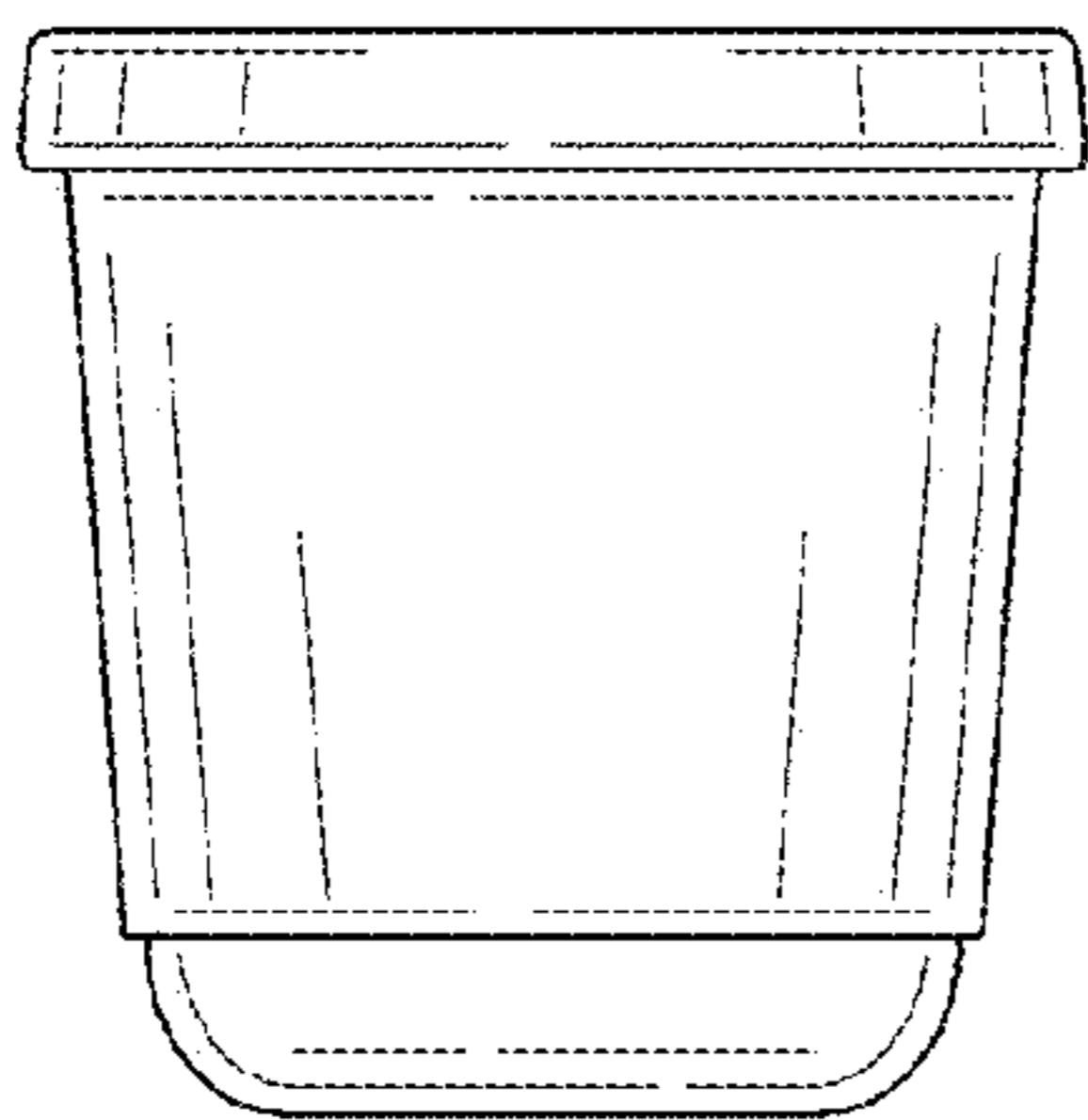


FIG. 14

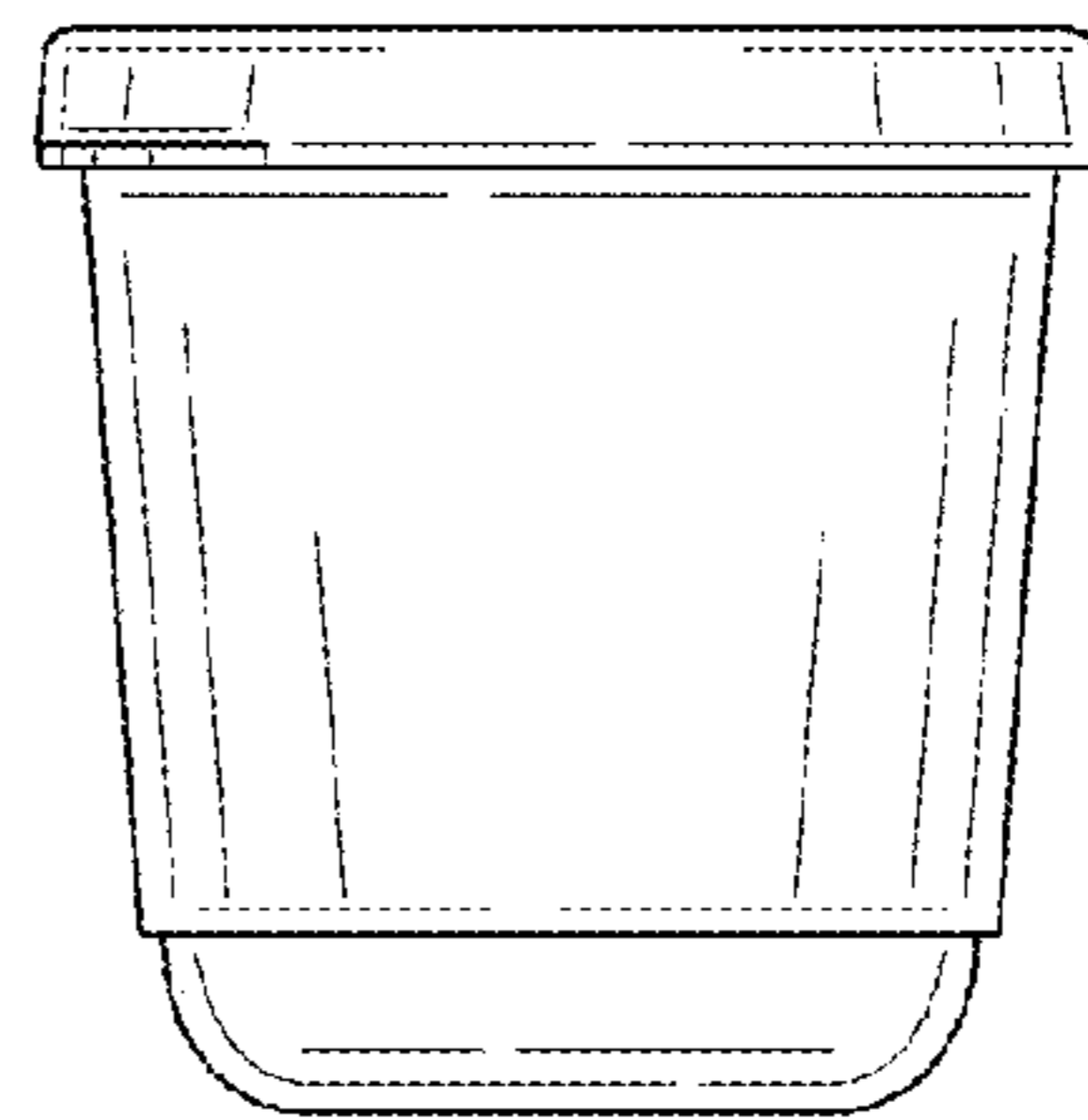


FIG. 15

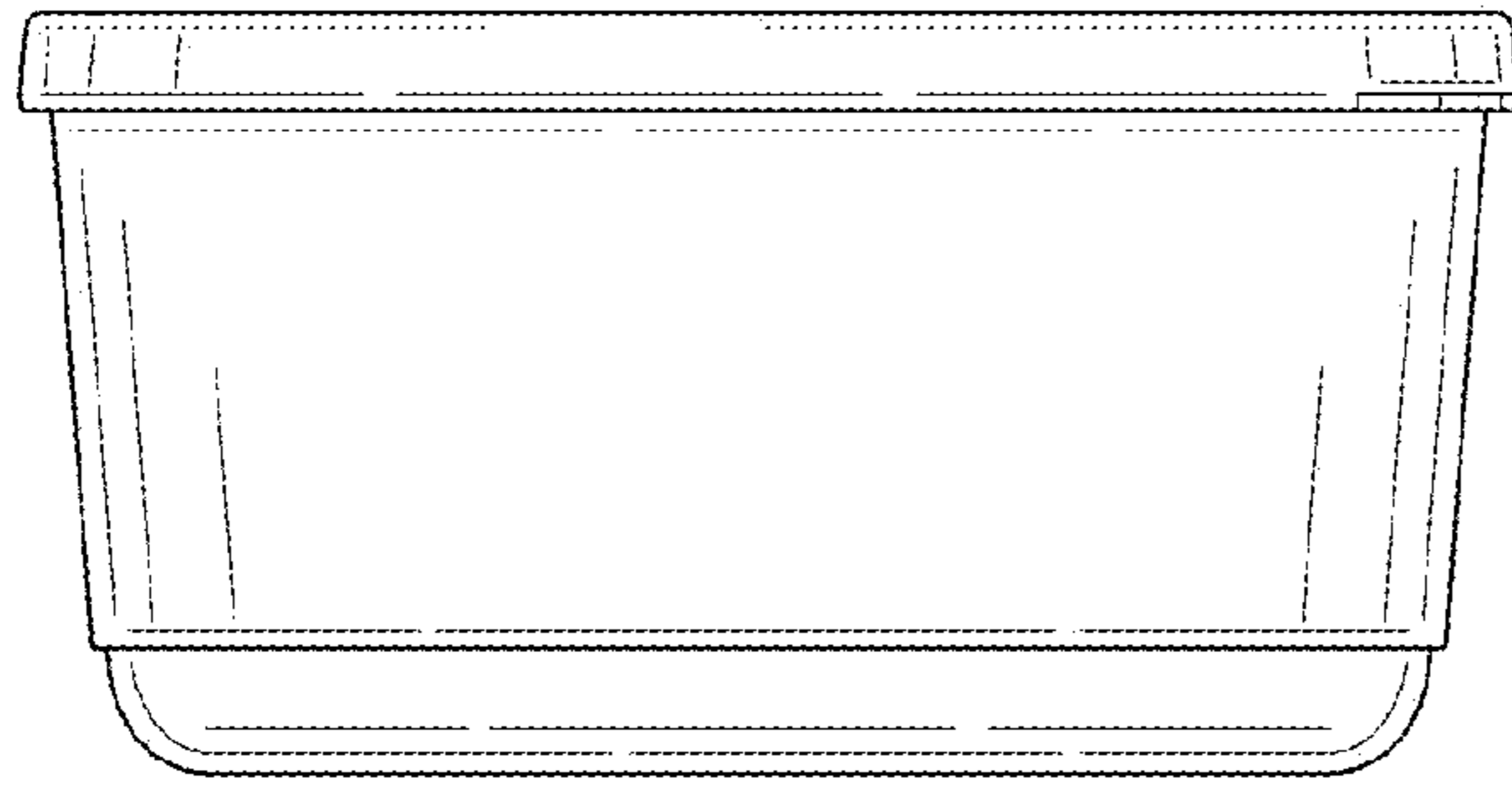


FIG. 16

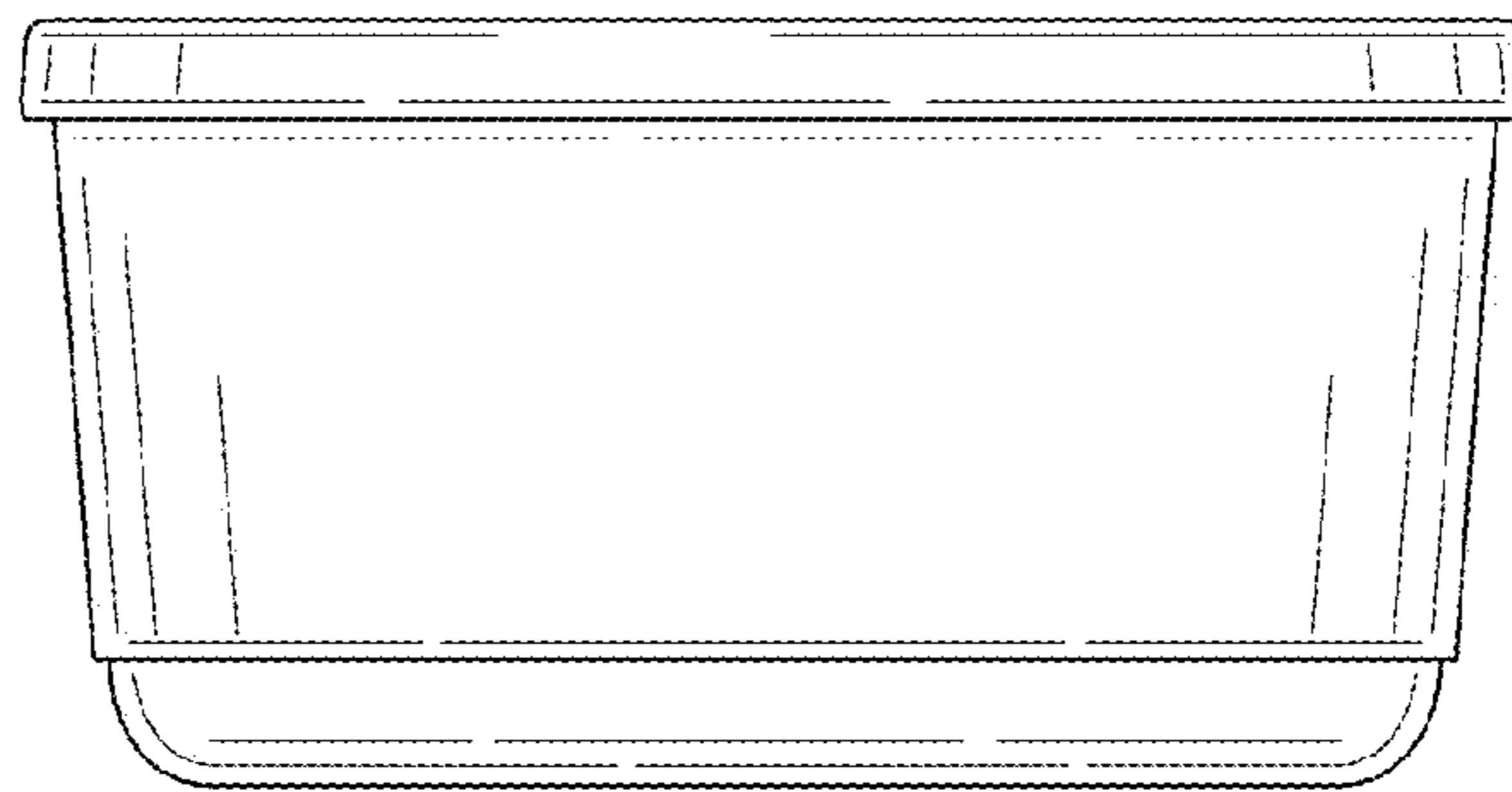


FIG. 17

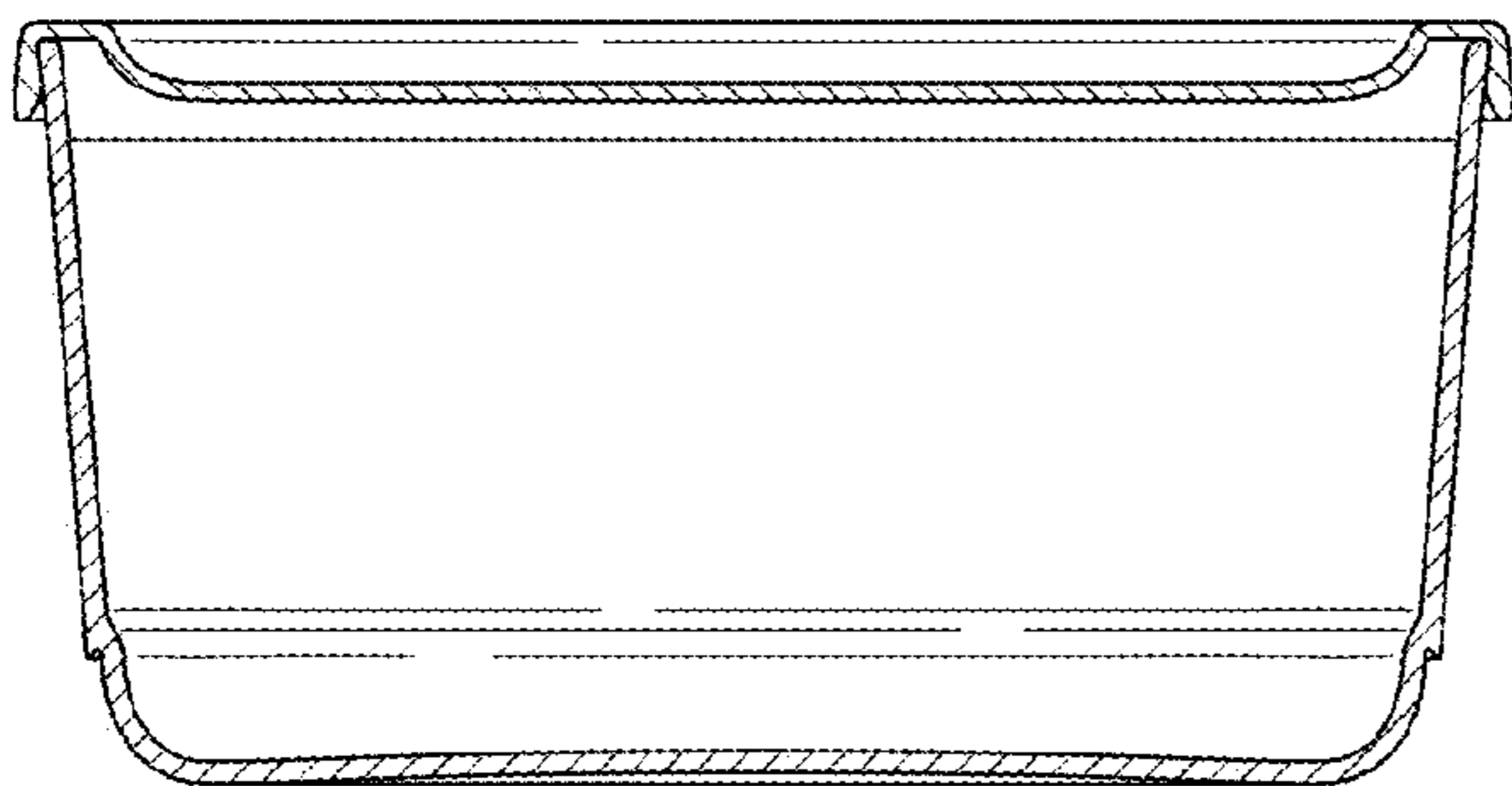


FIG. 18

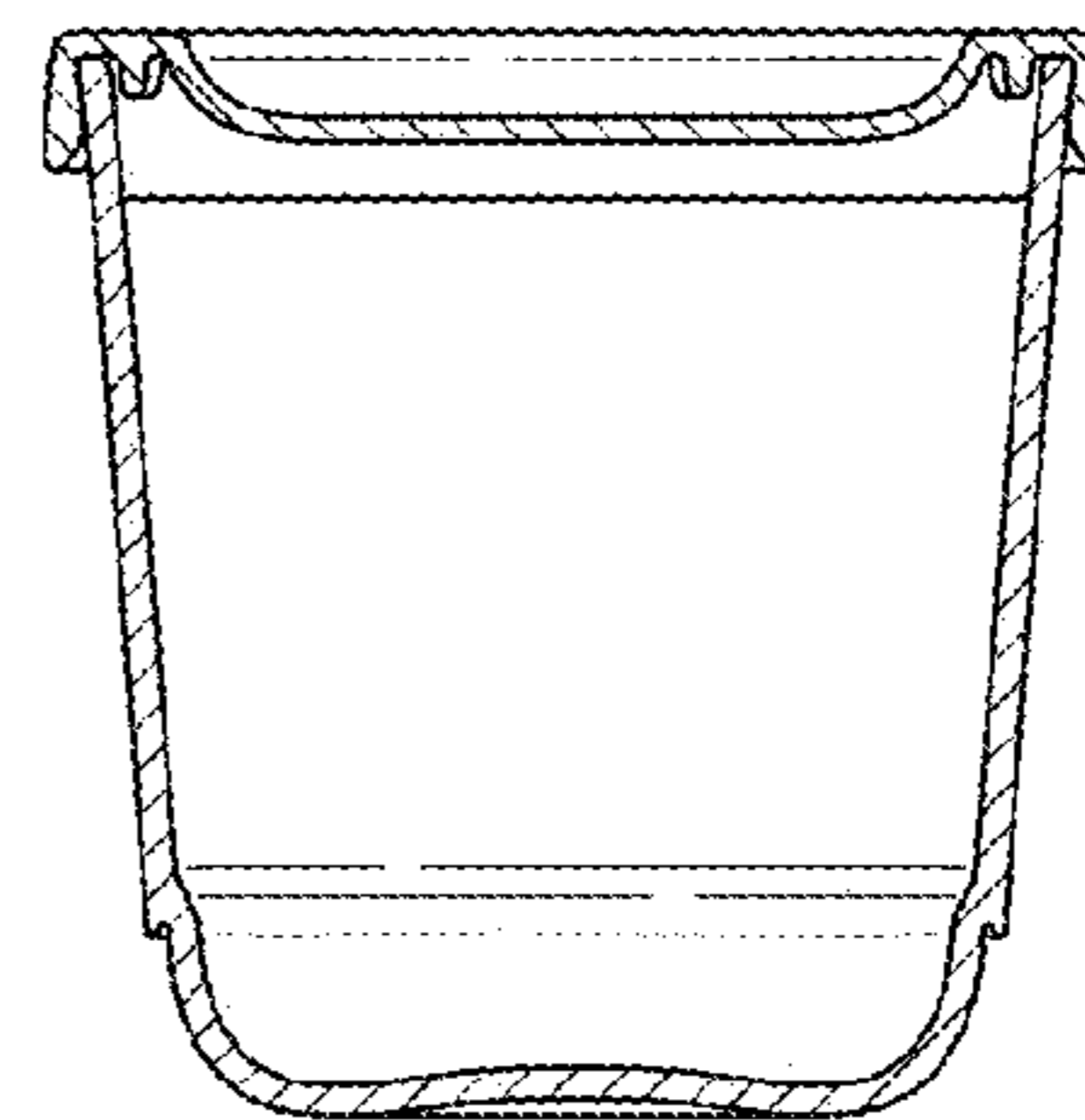


FIG. 19