



US00D750424S

(12) **United States Design Patent**  
**Shirley et al.**

(10) **Patent No.:** **US D750,424 S**  
(45) **Date of Patent:** **\*\* Mar. 1, 2016**

(54) **STORAGE CONTAINER SEAL AND STORAGE CONTAINERS**

(71) Applicant: **Dart Industries Inc.**, Orlando, FL (US)

(72) Inventors: **Nathan E. Shirley**, Orlando, FL (US);  
**Julie L. Yessin**, Orlando, FL (US)

(73) Assignee: **Dart Industries Inc.**, Orlando, FL (US)

(\*\*) Term: **14 Years**

(21) Appl. No.: **29/496,893**

(22) Filed: **Jul. 18, 2014**

(51) **LOC (10) Cl.** ..... **07-02**

(52) **U.S. Cl.**  
USPC ..... **D7/391**

(58) **Field of Classification Search**  
USPC ..... D7/391, 392, 392.1, 393, 397, 601-602,  
D7/629-630, 538-542; D9/414, 424-432,  
D9/435, 451-452  
CPC ..... A47J 36/027; A47J 36/06; A47J 37/10;  
A47J 37/101; B65D 21/0209; B65D 43/00;  
B65D 43/02; B65D 43/0206; B65D 43/021;  
B65D 43/022; B65D 43/161; B65D 43/162;  
B65D 45/00; B65D 45/16; B65D 45/18;  
B65D 51/16; B65D 51/1683; B65D 51/1688;  
B65D 51/1694; B65D 2251/00; B65F 1/1615  
See application file for complete search history.

(56) **References Cited**

U.S. PATENT DOCUMENTS

D285,906 S *	9/1986	Tyler	.....	D9/425
D287,573 S *	1/1987	Tyler	.....	D7/391
D321,111 S	10/1991	Wolff		
D321,456 S	11/1991	Wolff		
D325,847 S	5/1992	Wolff		
D326,979 S	6/1992	Wolff		
D375,654 S	11/1996	Ferris		
D378,563 S	3/1997	Ferris		
D389,012 S	1/1998	Miller		
D445,649 S *	7/2001	Maxwell	.....	D7/629
D460,665 S	7/2002	Lillelund et al.		
D462,880 S *	9/2002	Maxwell	.....	D7/629

D465,382 S *	11/2002	Wolf	.....	D7/392.1
D485,468 S *	1/2004	Roth	.....	D7/392.1
D489,975 S *	5/2004	Jackson	.....	D9/425
D505,839 S *	6/2005	Stanos	.....	D7/629
D505,840 S *	6/2005	Schultz	.....	D7/629
D512,278 S *	12/2005	Schultz	.....	D7/629
D516,859 S *	3/2006	Zettle	.....	D7/392.1
D521,380 S *	5/2006	Jackson	.....	D9/425
D547,115 S *	7/2007	Bouveret	.....	D7/392.1
D551,496 S	9/2007	Ablo et al.		
D551,515 S	9/2007	Ablo et al.		
D584,145 S *	1/2009	Young	.....	D9/435
D585,699 S *	2/2009	Furlong	.....	D7/392.1
D611,807 S *	3/2010	Miga, Jr.	.....	D9/424
D615,349 S *	5/2010	Furlong	.....	D7/392.1
D652,672 S	1/2012	Easton		
D676,285 S	2/2013	Shirley et al.		
D677,996 S	3/2013	Shirley et al.		
D682,687 S *	5/2013	McCumber	.....	D9/435
D686,450 S *	7/2013	Yessin	.....	D7/392.1
D696,559 S *	12/2013	Song	.....	D7/629
D698,199 S	1/2014	Yessin et al.		
D700,482 S	3/2014	Yessin et al.		
D700,483 S	3/2014	Yessin et al.		
D716,603 S	11/2014	Yessin et al.		
D730,112 S *	5/2015	Yessin	.....	D7/392.1
D733,503 S *	7/2015	Bagley	.....	D7/629
D738,161 S *	9/2015	Yessin	.....	D7/391
D740,601 S *	10/2015	Carlson	.....	D7/391
D742,224 S *	11/2015	Thurin	.....	D7/629
2011/0114638 A1 *	5/2011	Kettner	.....	B65D 43/021 220/260

\* cited by examiner

*Primary Examiner* — Ricky Pham

(74) *Attorney, Agent, or Firm* — Taylor J. Ross

(57) **CLAIM**

The ornamental design for a storage container seal and storage containers, as shown and described.

**DESCRIPTION**

This application is related to co-pending application Ser. Nos. 29/496,891; 29/496,896; and 29/496,897, which are incorporated by reference herein.

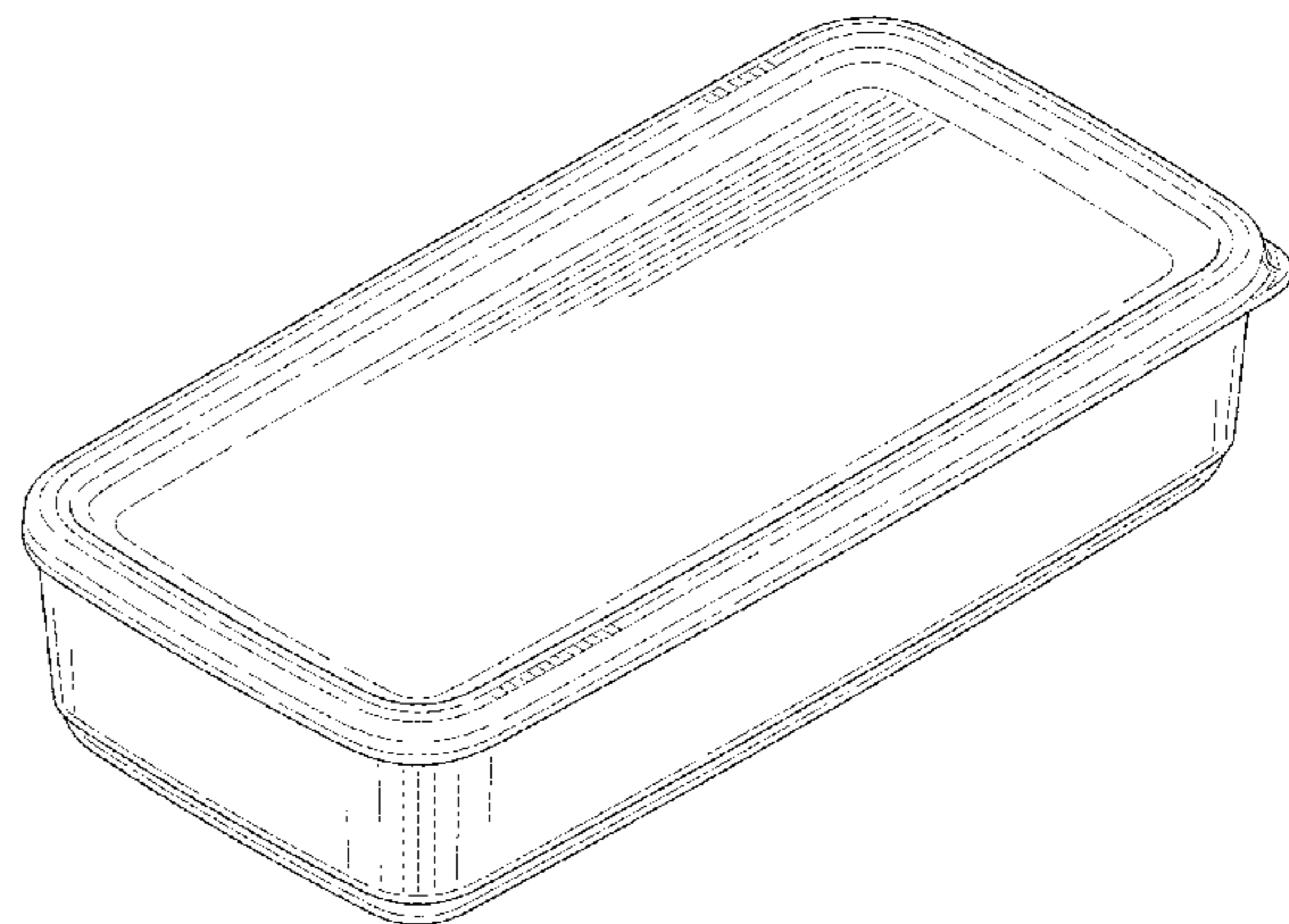
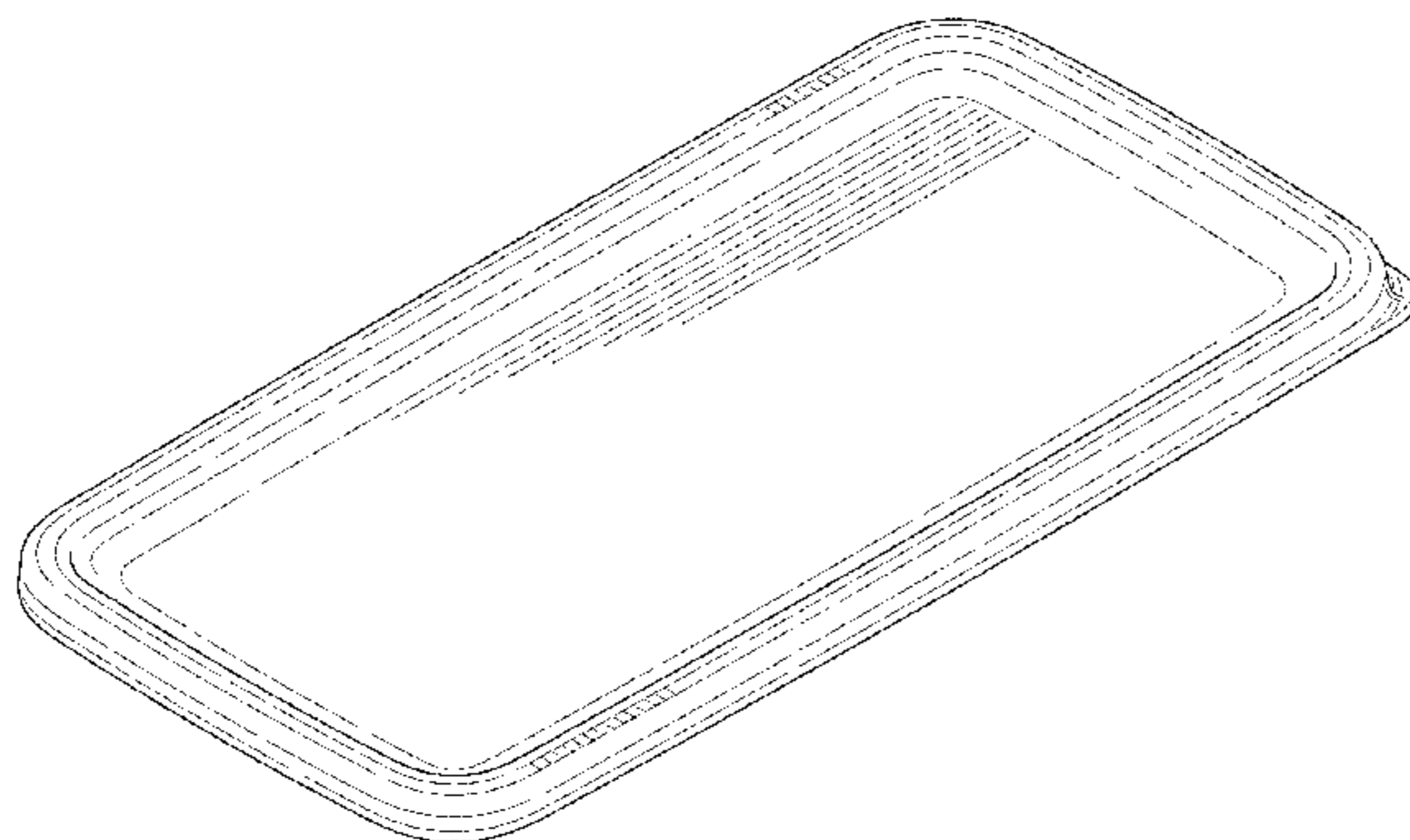


FIG. 1 is a top, right and front perspective view of a storage container seal showing our new design, shown without the base of the multiple embodiments for completeness of disclosure;

FIG. 2 is a top plan view thereof;

FIG. 3 is a bottom plan view thereof;

FIG. 4 is a right side elevation view thereof;

FIG. 5 is a left side elevation view thereof;

FIG. 6 is a front elevation view thereof;

FIG. 7 is a rear elevation view thereof;

FIG. 8 is a cross-sectional view taken along line 8-8 of FIG. 2;

FIG. 9 is a detail cross-sectional view taken along line 9-9 of FIG. 2;

FIG. 10 is a top, right and front perspective view of a first embodiment of a storage container showing our new design;

FIG. 11 is a top plan view thereof;

FIG. 12 is a bottom plan view thereof;

FIG. 13 is a right side elevation view thereof;

FIG. 14 is a left side elevation view thereof;

FIG. 15 is a front elevation view thereof;

FIG. 16 is a rear elevation view thereof;

FIG. 17 is a cross-sectional view taken along line 17-17 of FIG. 11;

FIG. 18 is a top, right and front perspective view of a second embodiment of a storage container showing our new design;

FIG. 19 is a top plan view thereof;

FIG. 20 is a bottom plan view thereof;

FIG. 21 is a right side elevation view thereof;

FIG. 22 is a left side elevation view thereof;

FIG. 23 is a front elevation view thereof;

FIG. 24 is a rear elevation view thereof;

FIG. 25 is a cross-sectional view taken along line 25-25 of FIG. 18;

FIG. 26 is a top, right and front perspective view of a third embodiment of a storage container showing our new design;

FIG. 27 is a top plan view thereof;

FIG. 28 is a bottom plan view thereof;

FIG. 29 is a front elevation view thereof;

FIG. 30 is a right side elevation view thereof;

FIG. 31 is a left side elevation view thereof;

FIG. 32 is a rear elevation view thereof;

FIG. 33 is a cross-sectional view taken along line 33-33 of FIG. 27;

FIG. 34 is a top, right and front perspective view of a fourth embodiment of a storage container showing our new design;

FIG. 35 is a top plan view thereof;

FIG. 36 is a bottom plan view thereof;

FIG. 37 is a front elevation view thereof;

FIG. 38 is a right side elevation view thereof;

FIG. 39 is a left side elevation view thereof;

FIG. 40 is a rear elevation view thereof; and,

FIG. 41 is a cross-sectional view taken along line 41-41 of FIG. 35.

**1 Claim, 19 Drawing Sheets**

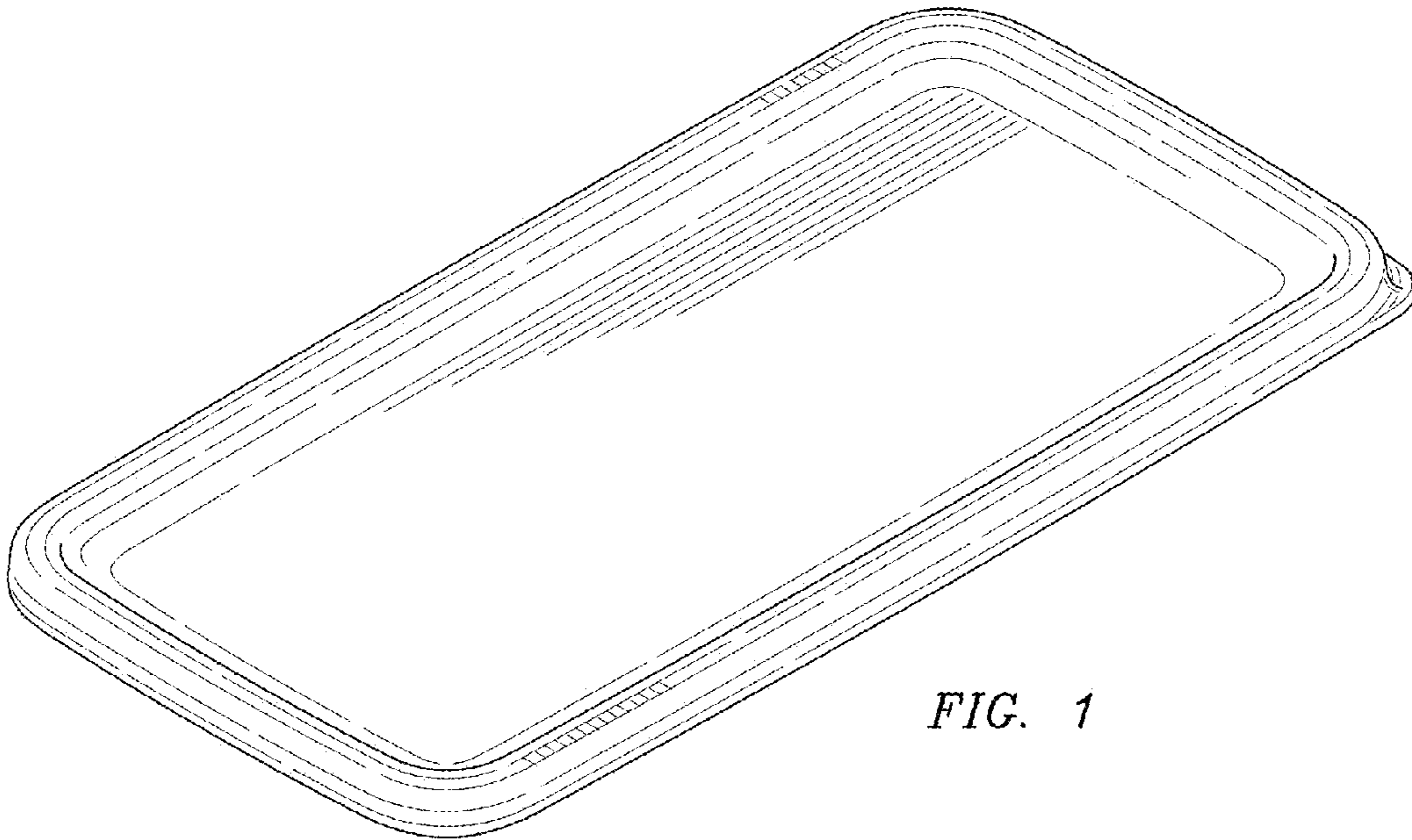


FIG. 1

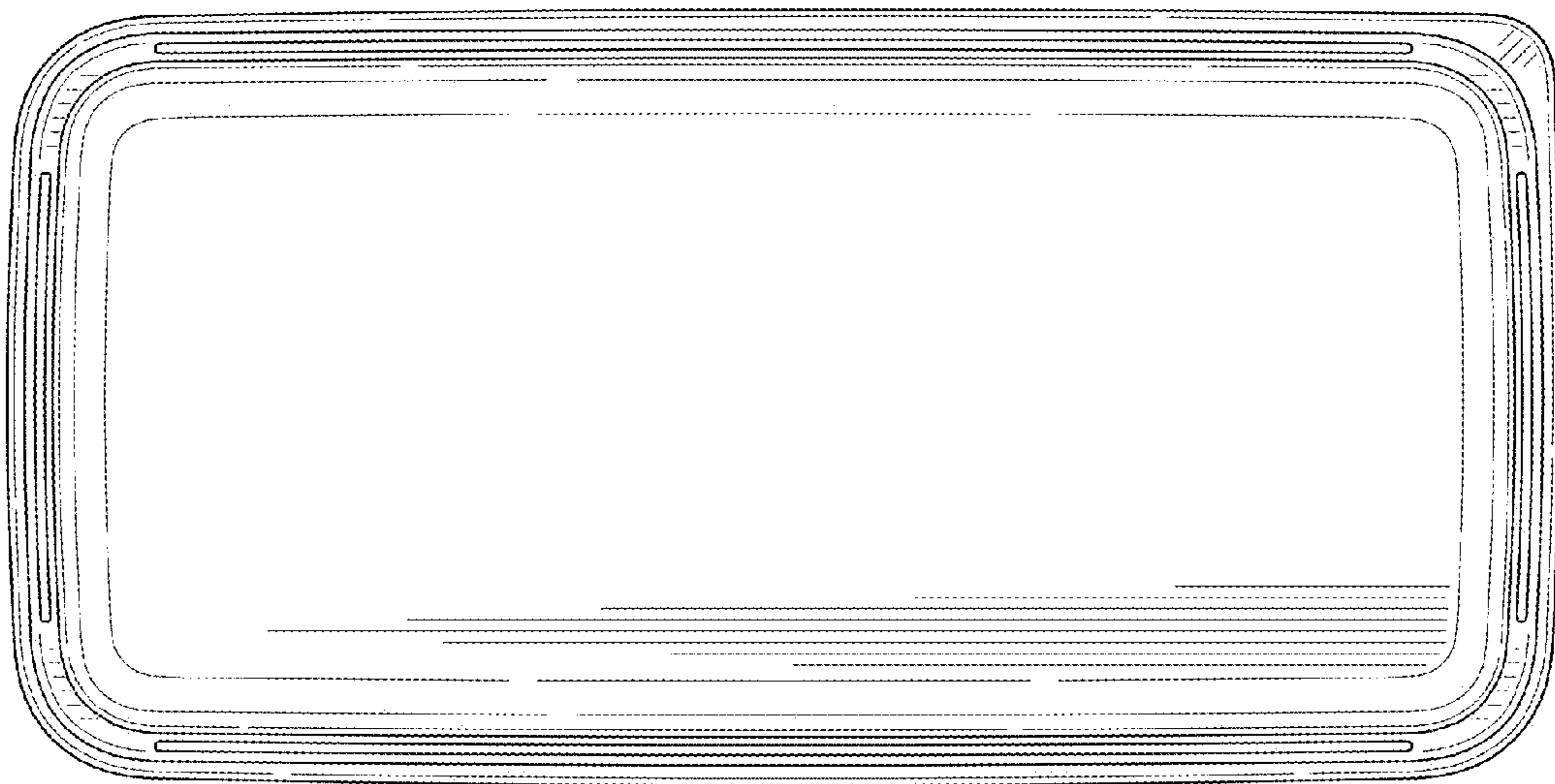


FIG. 3

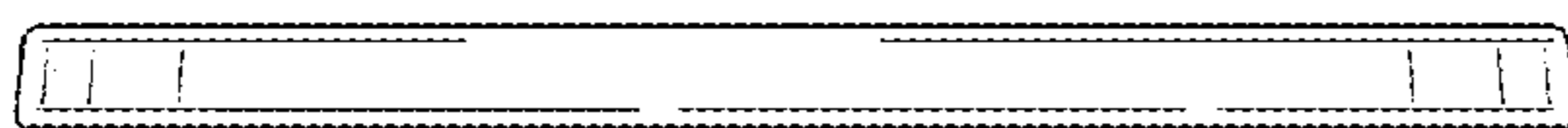


FIG. 4

FIG. 5



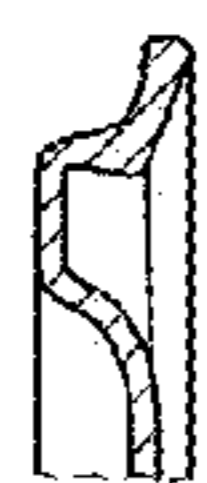
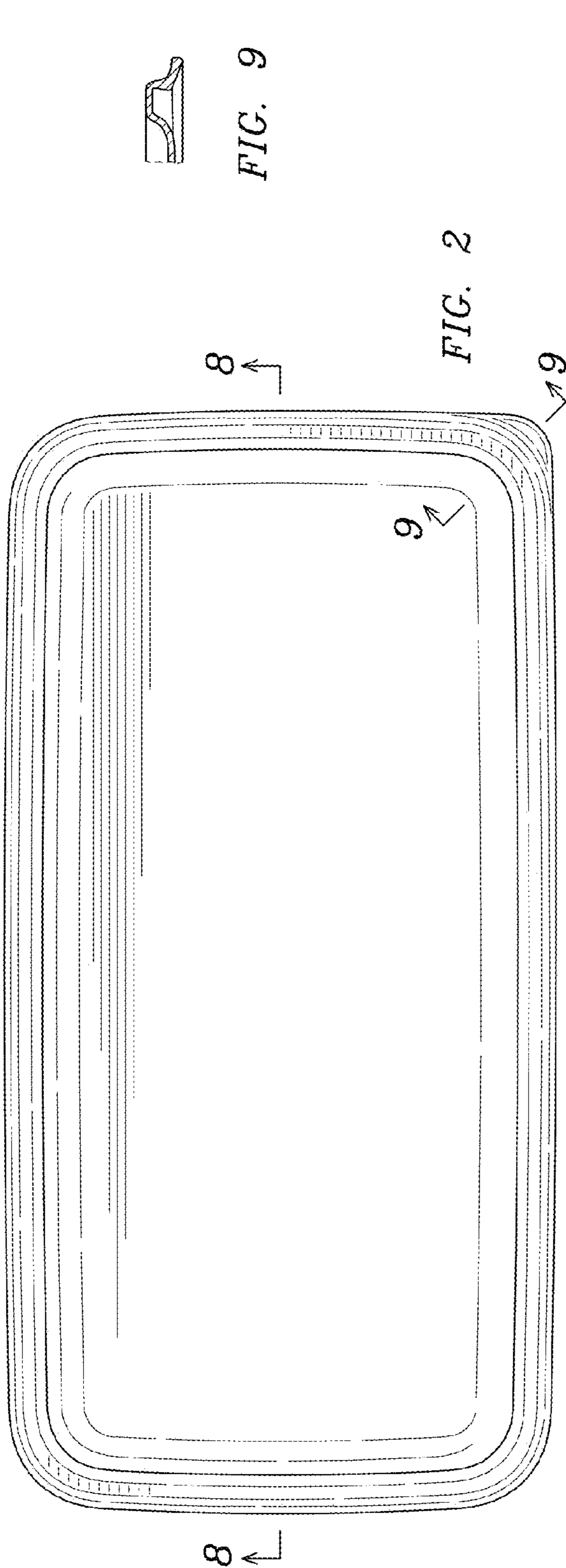


FIG. 9



FIG. 6



FIG. 7

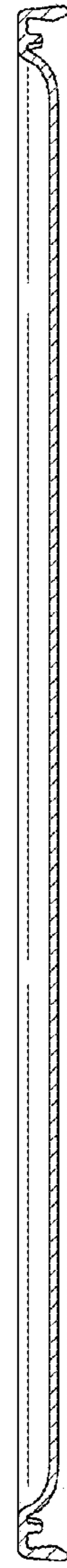


FIG. 8

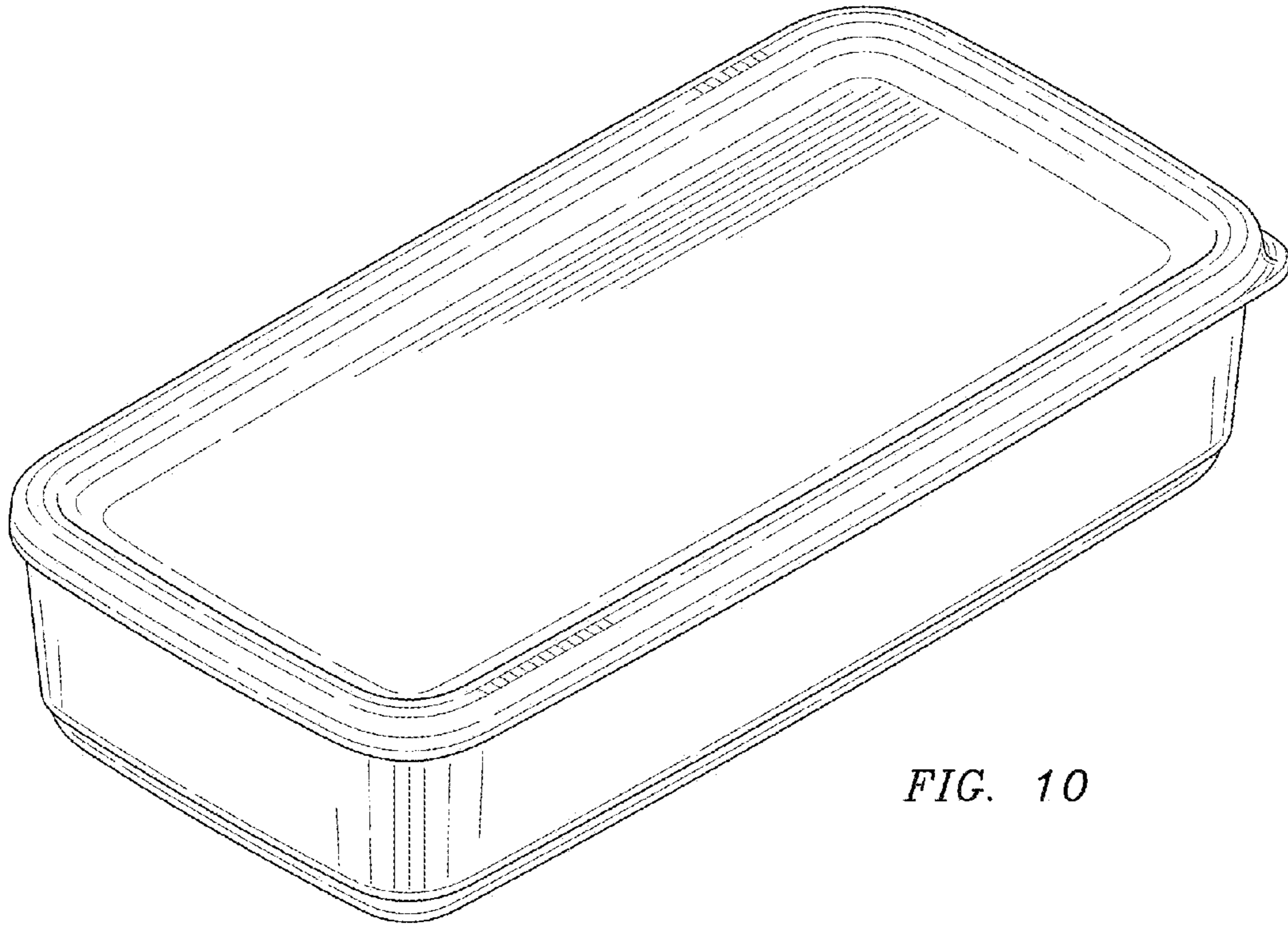


FIG. 10

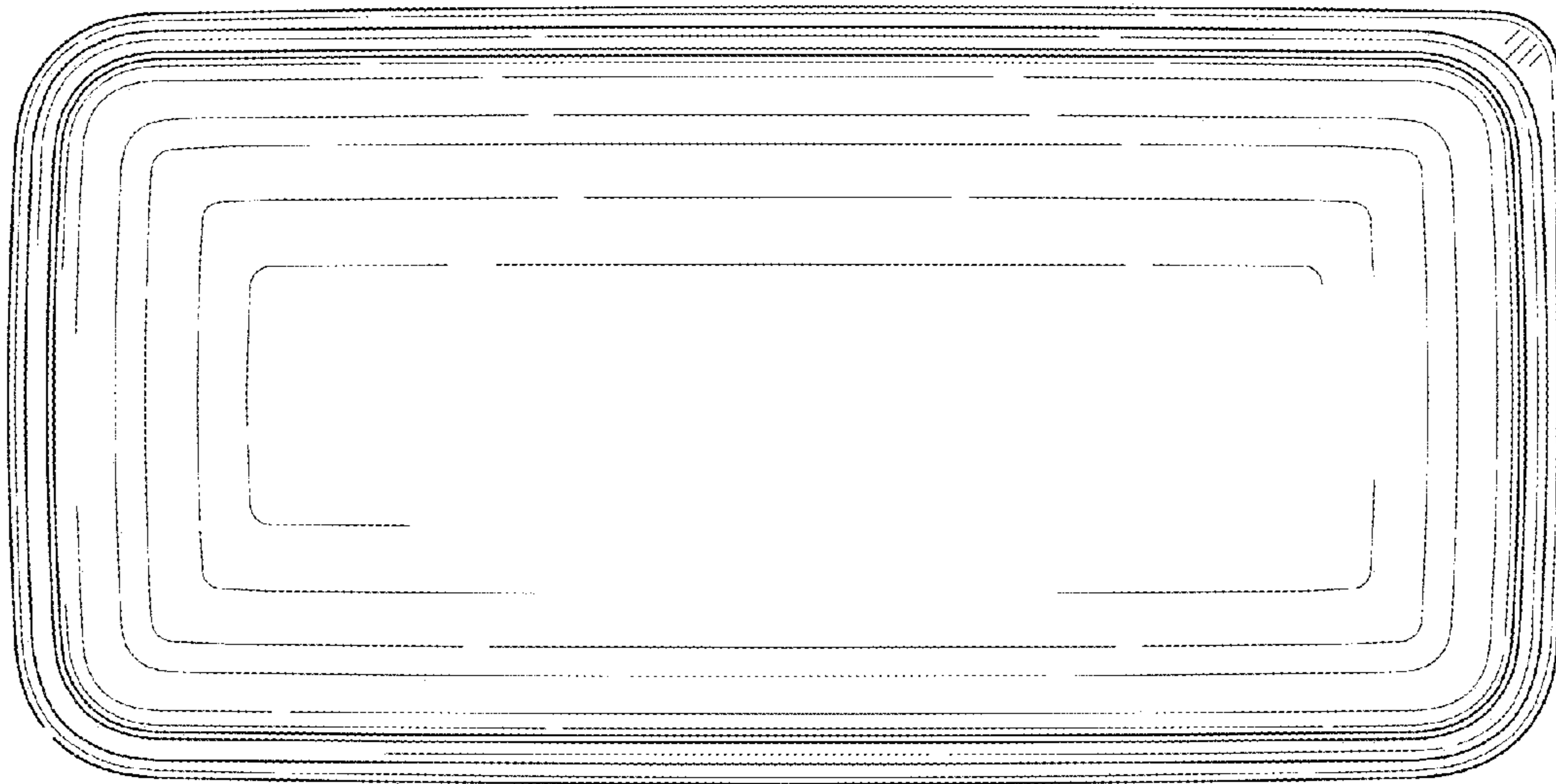


FIG. 12

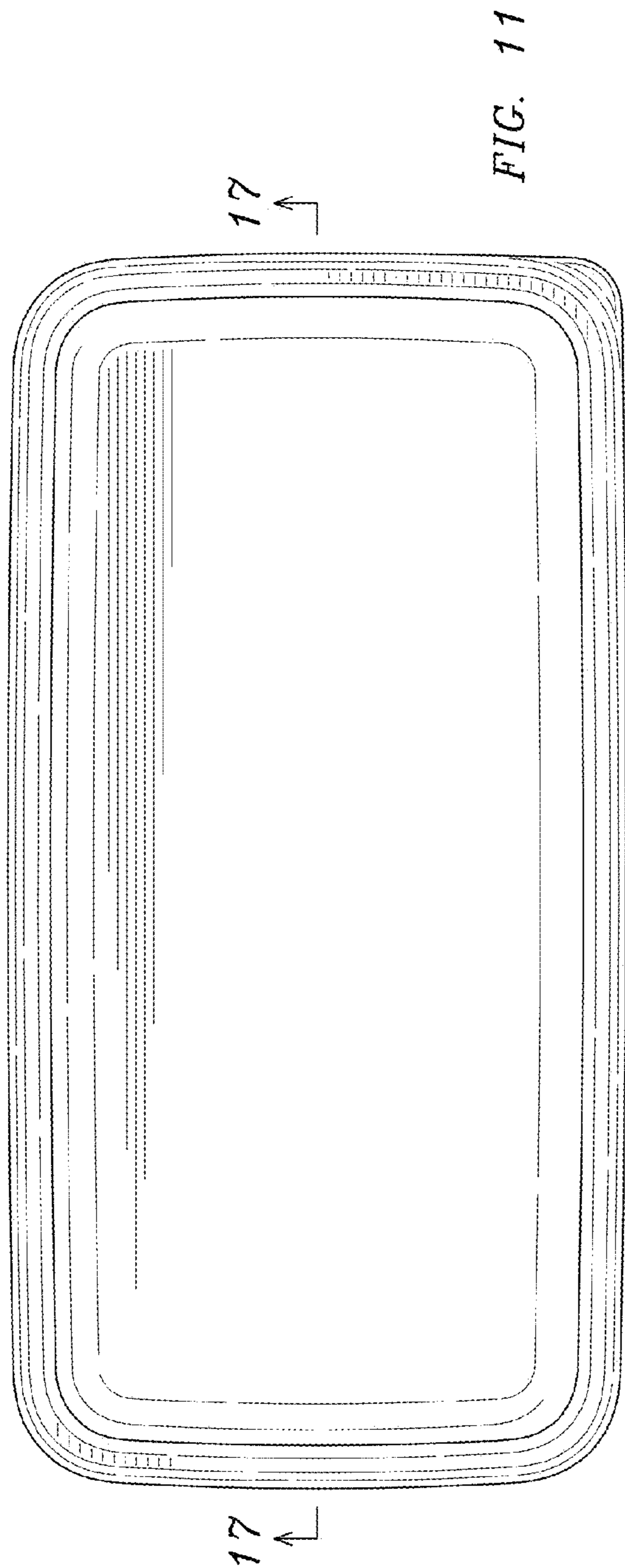


FIG. 11

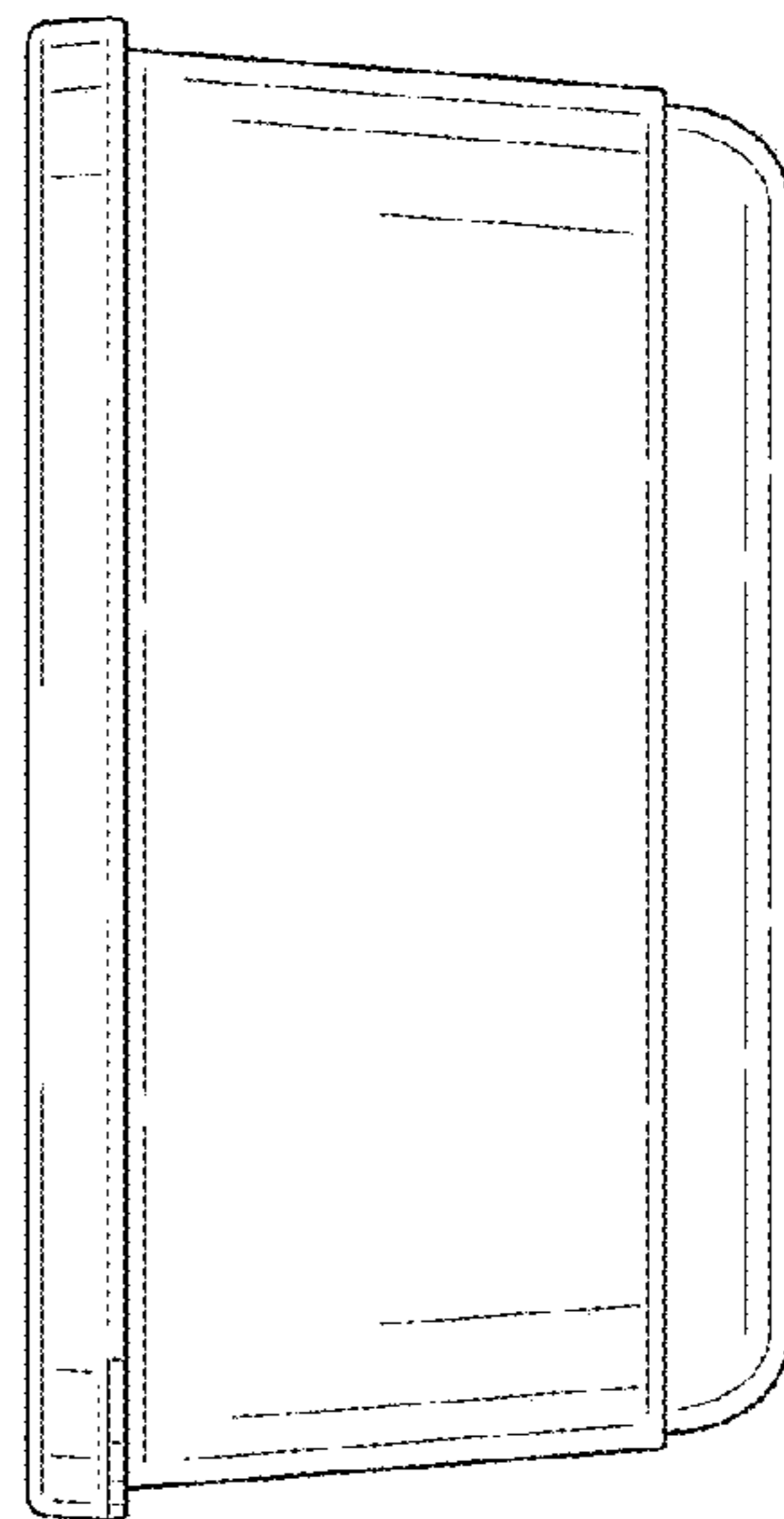


FIG. 14

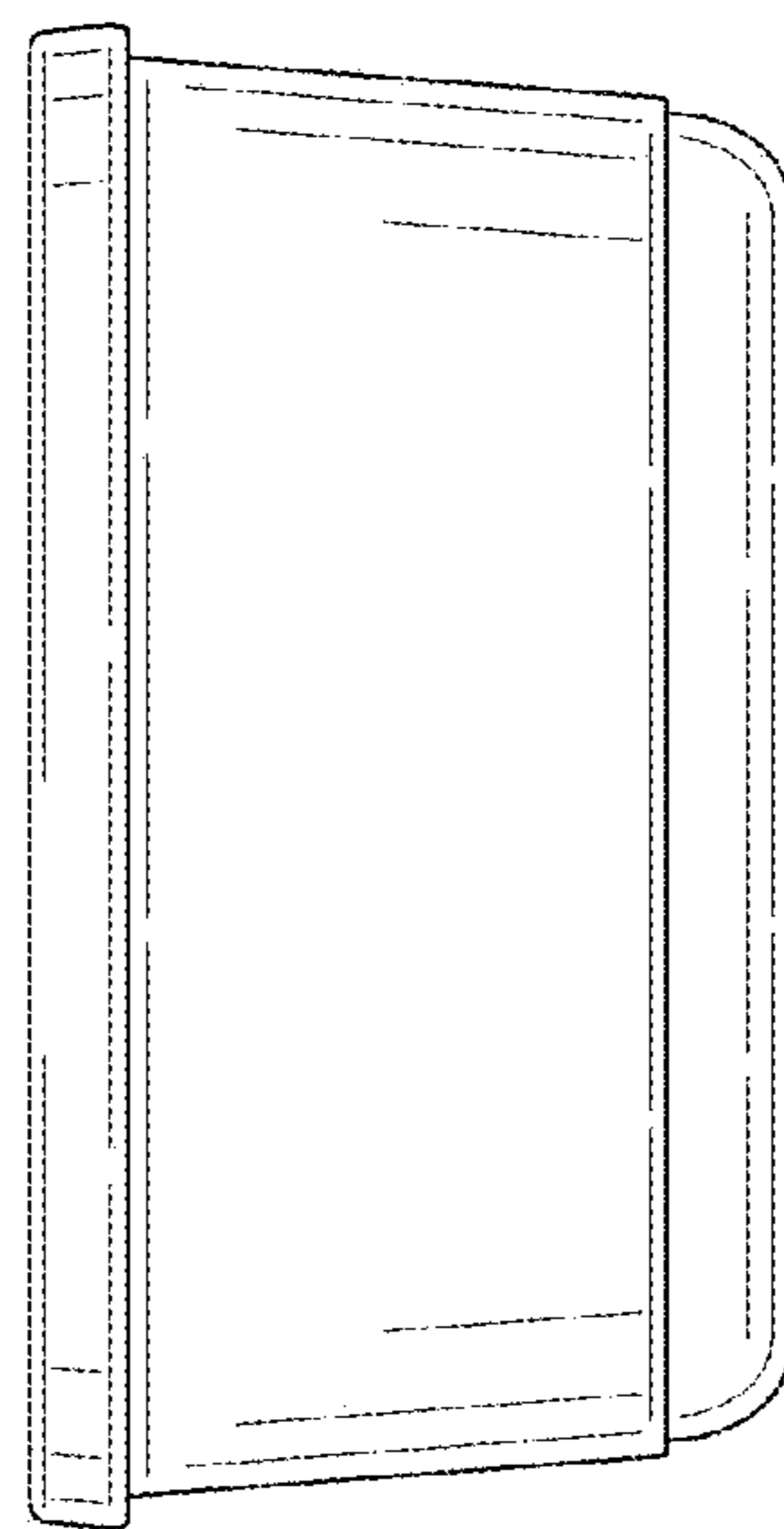


FIG. 13

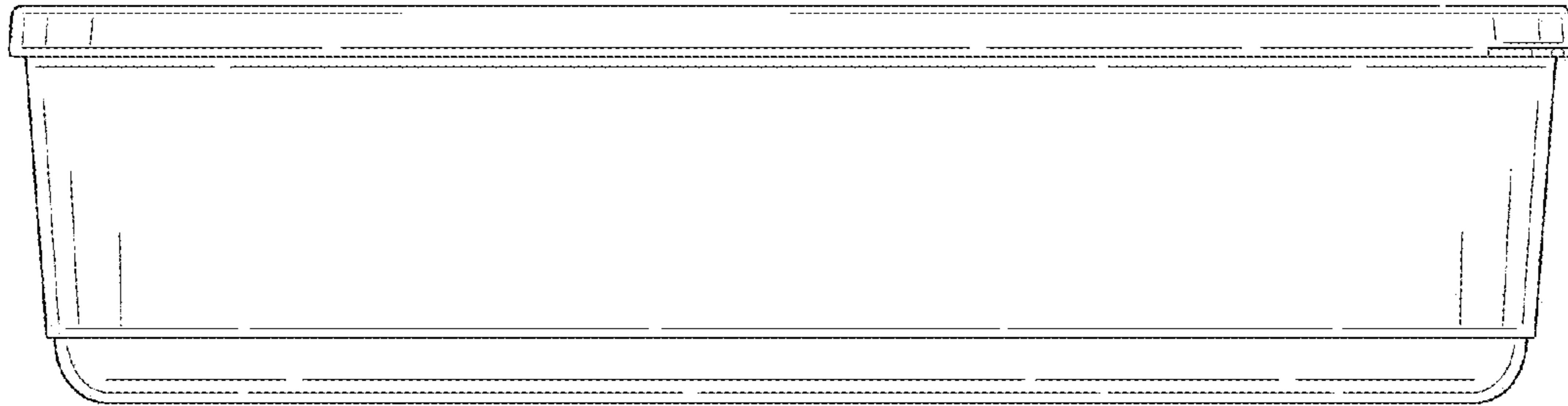


FIG. 15

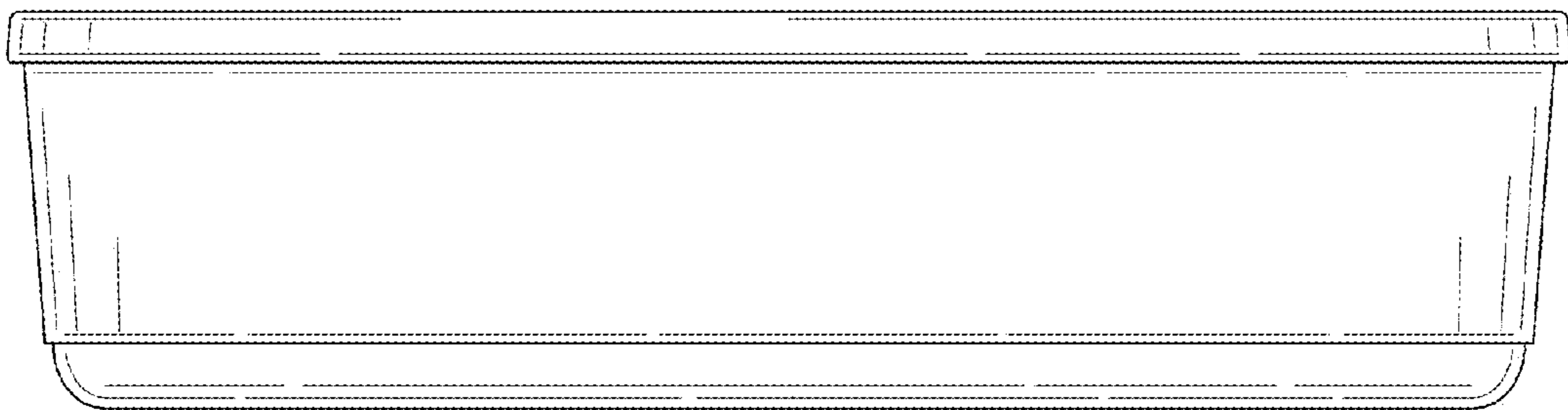


FIG. 16

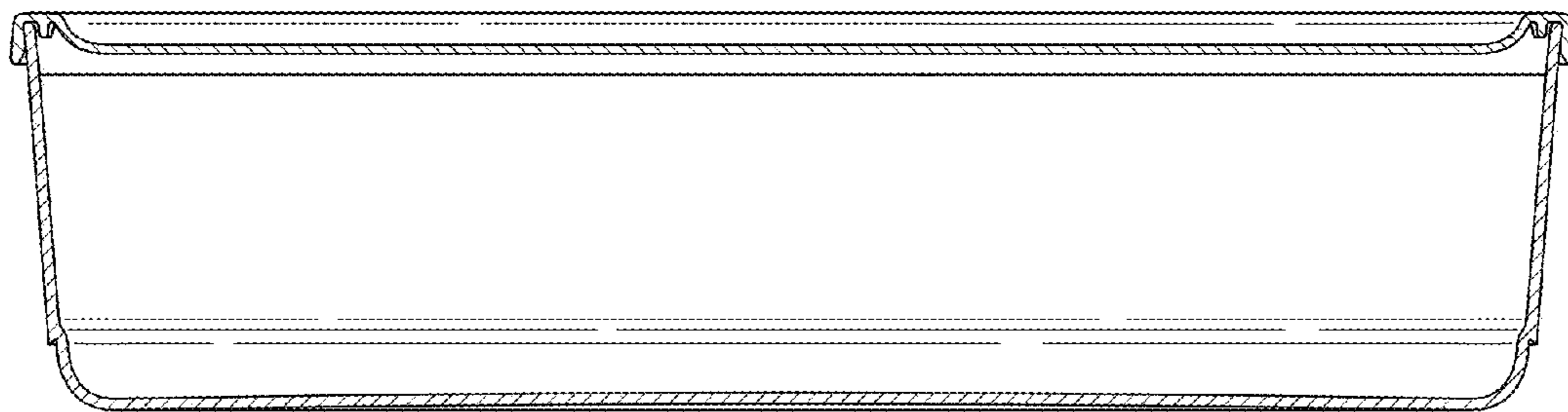


FIG. 17

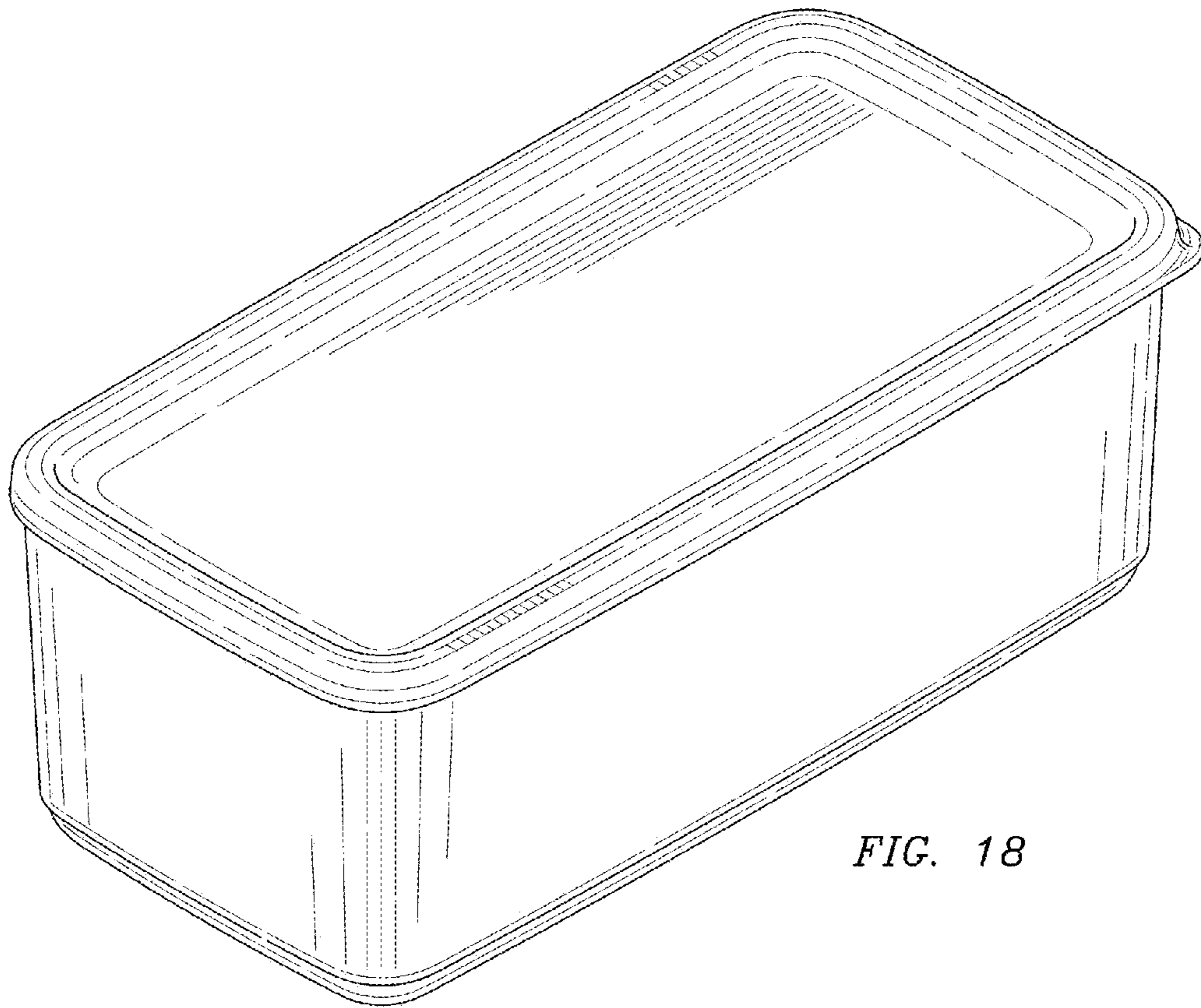


FIG. 18

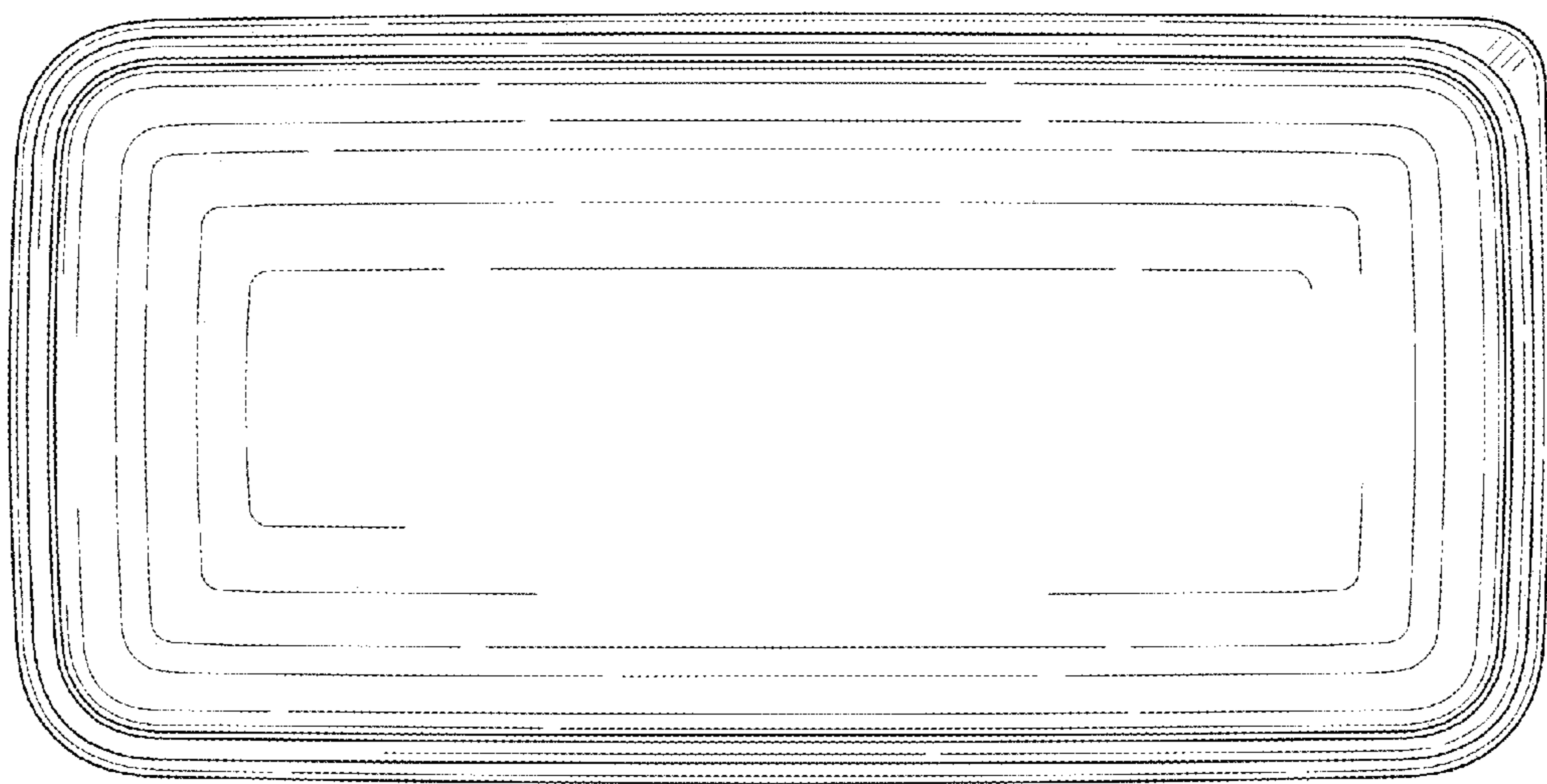


FIG. 20



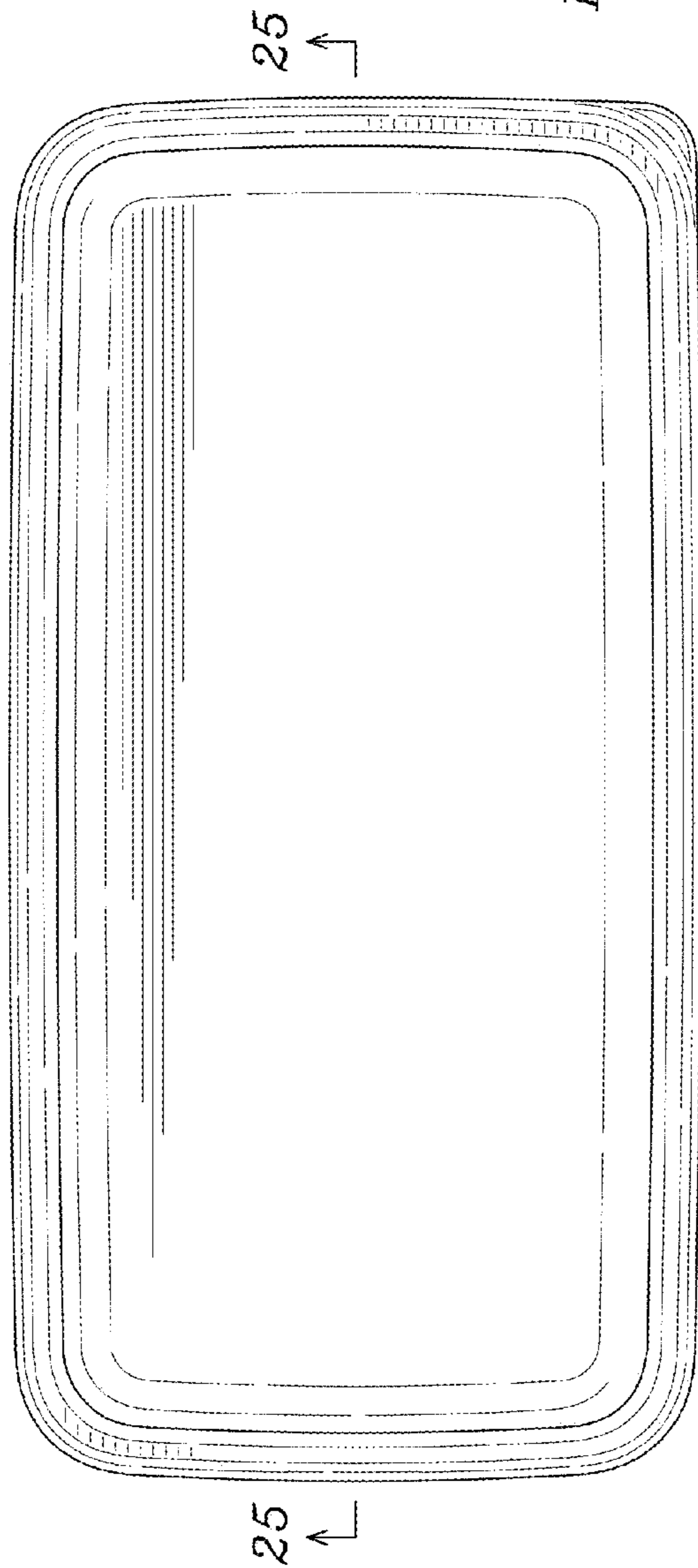


FIG. 19

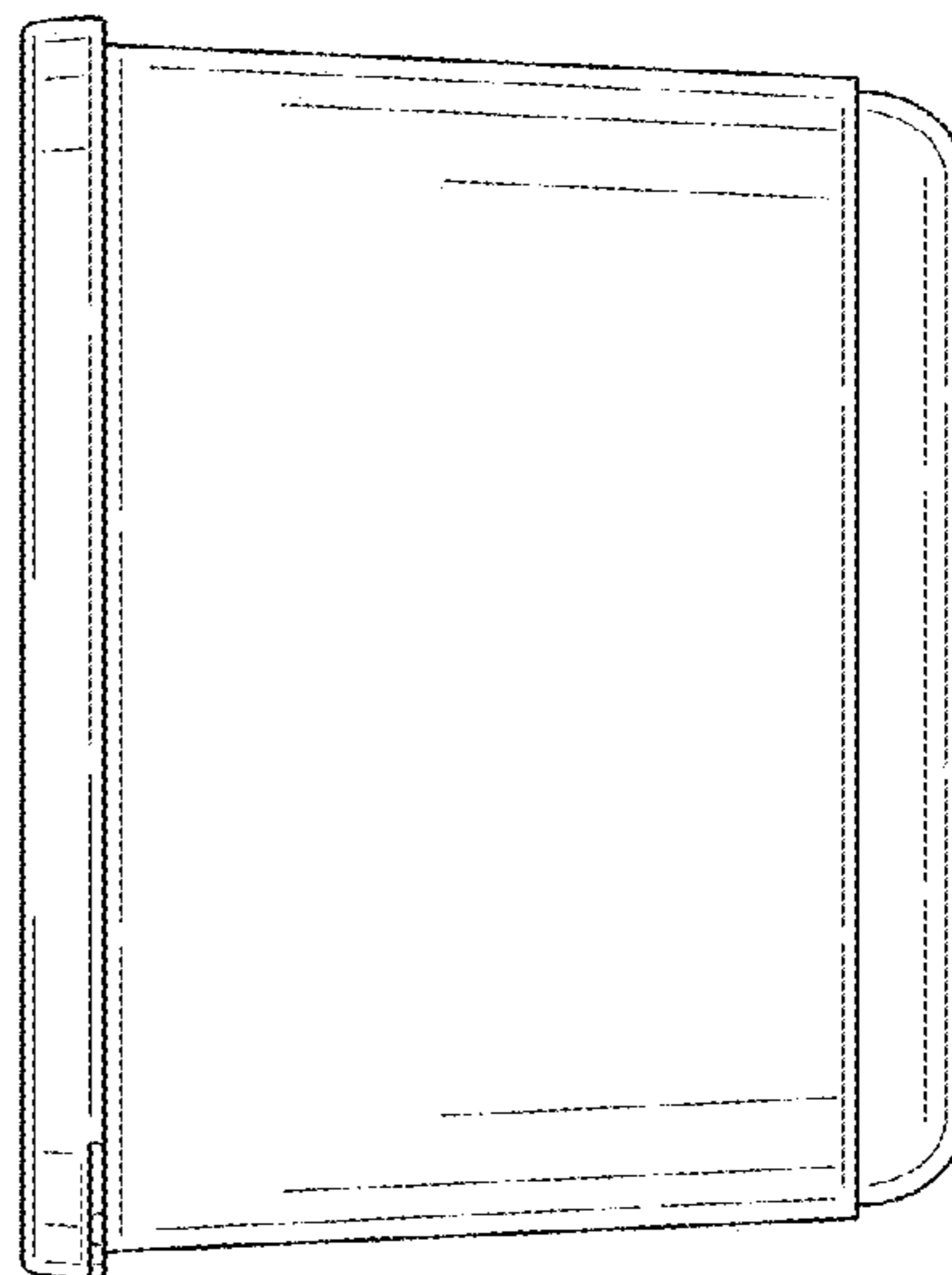


FIG. 21

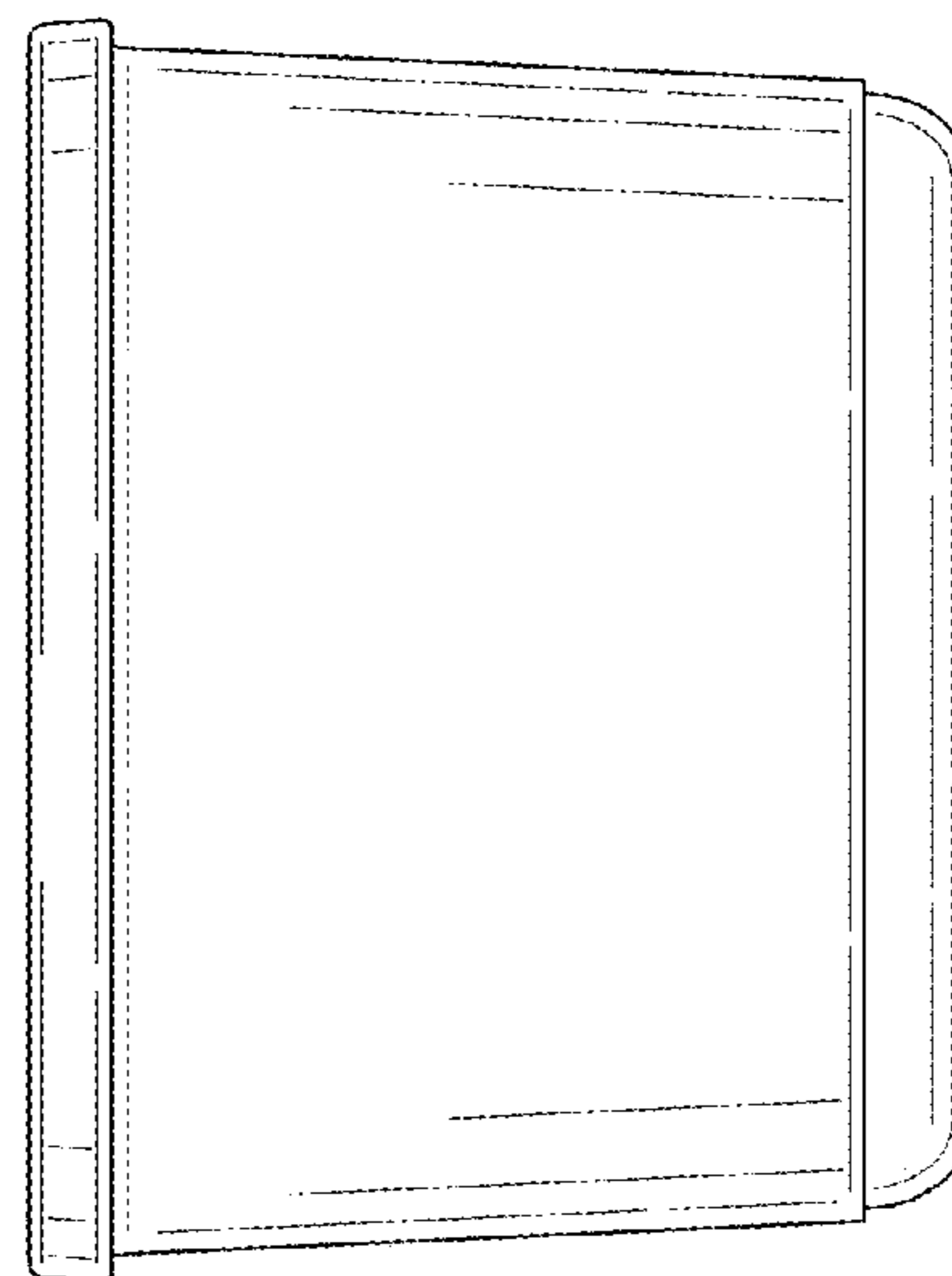


FIG. 22

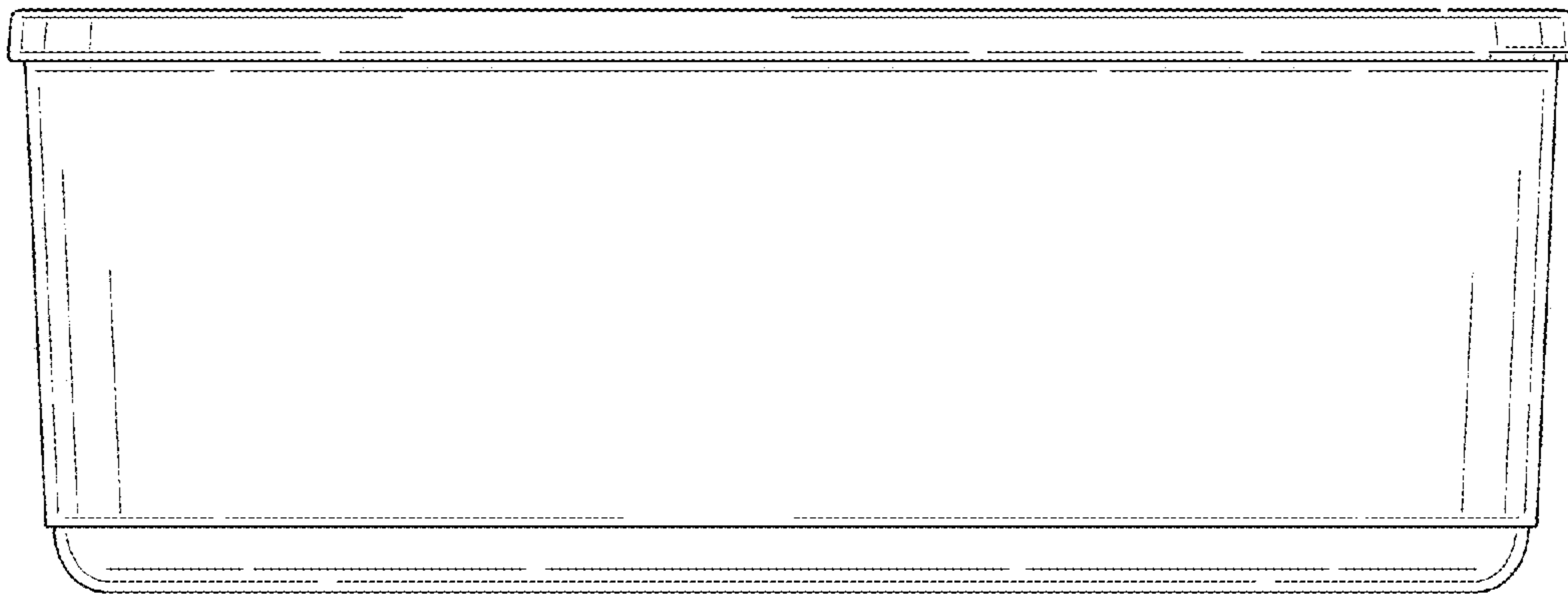


FIG. 23

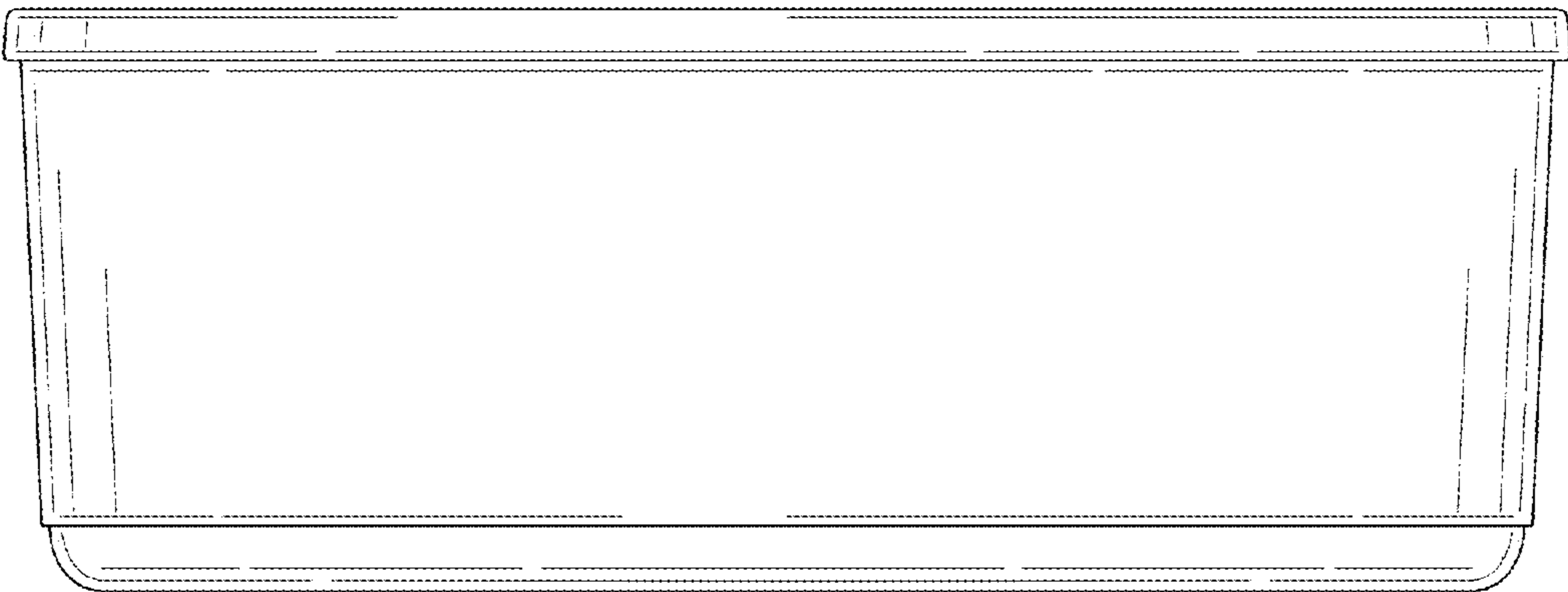


FIG. 24

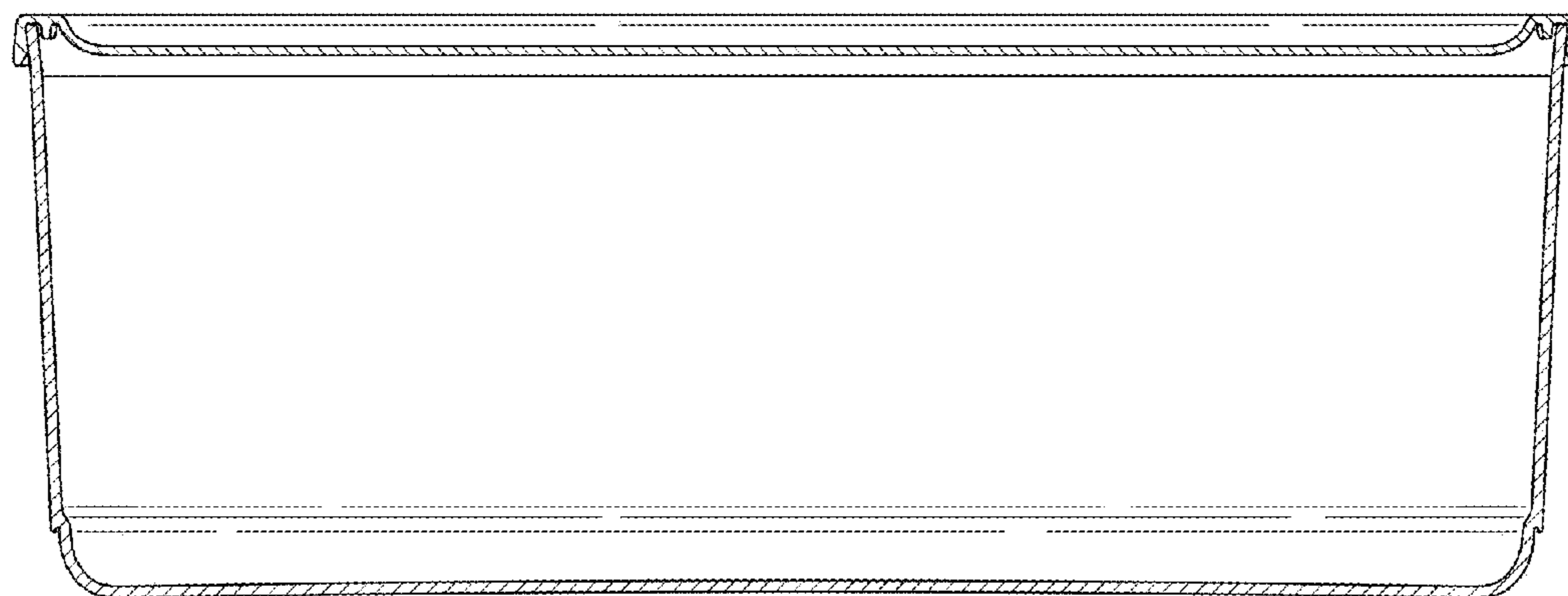


FIG. 25

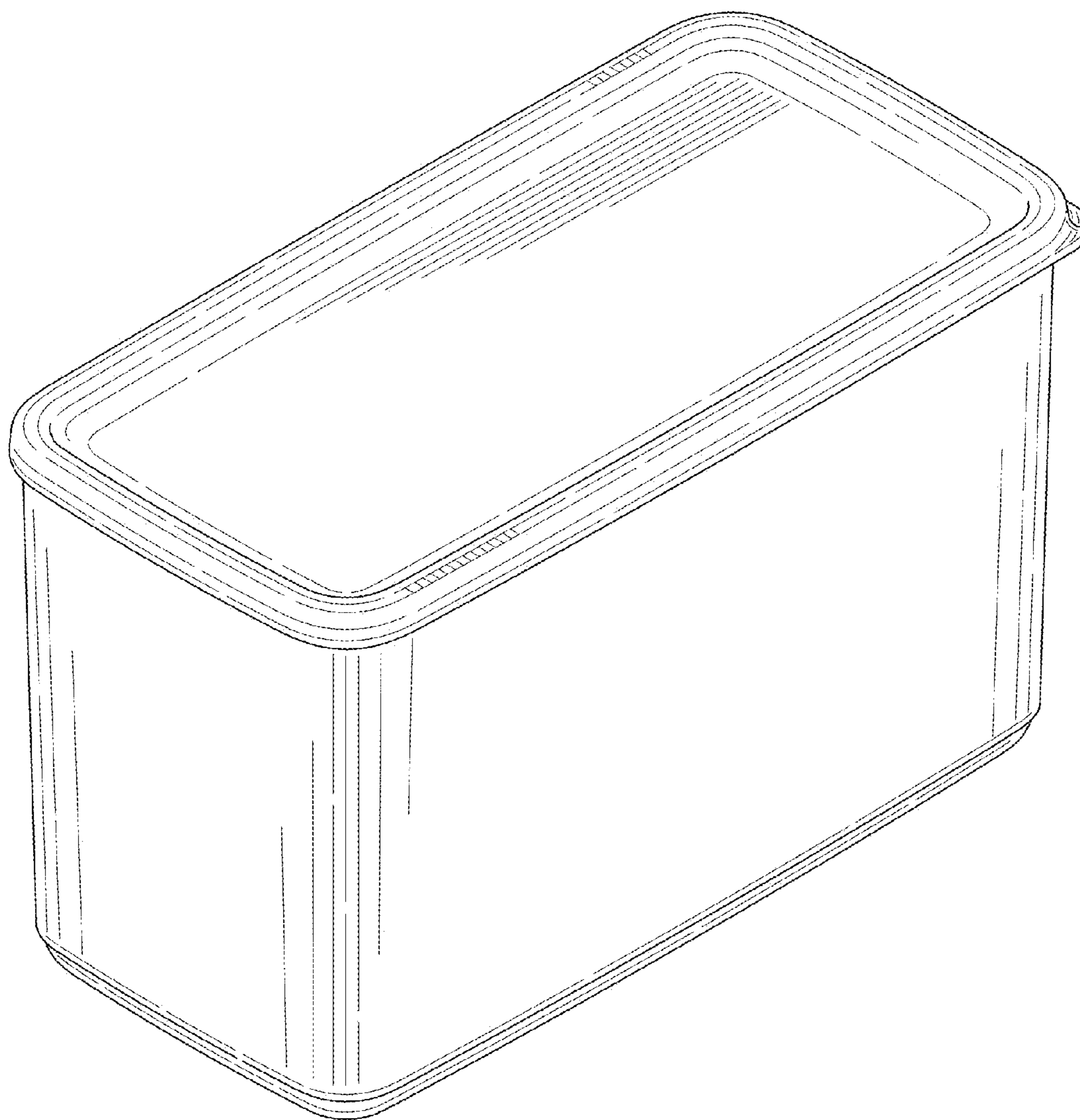


FIG. 26

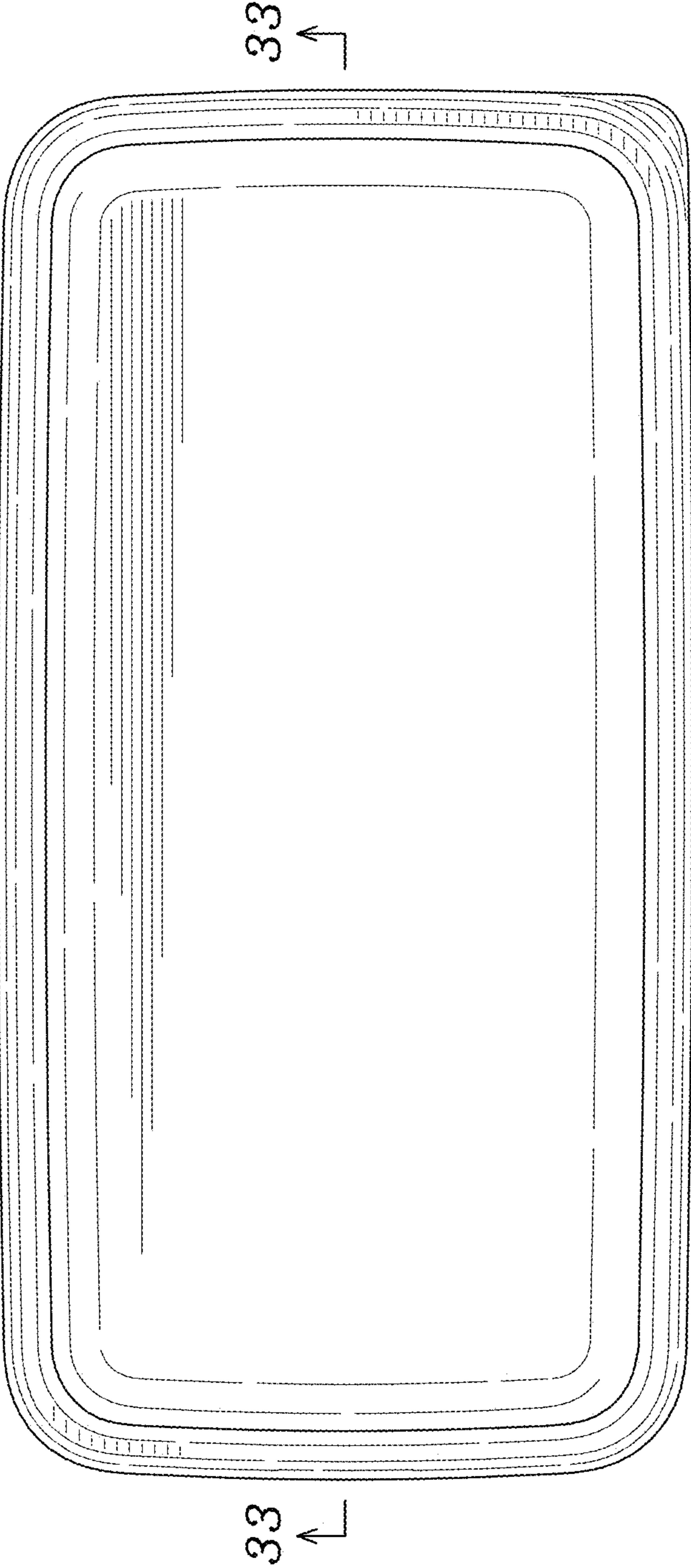


FIG. 27

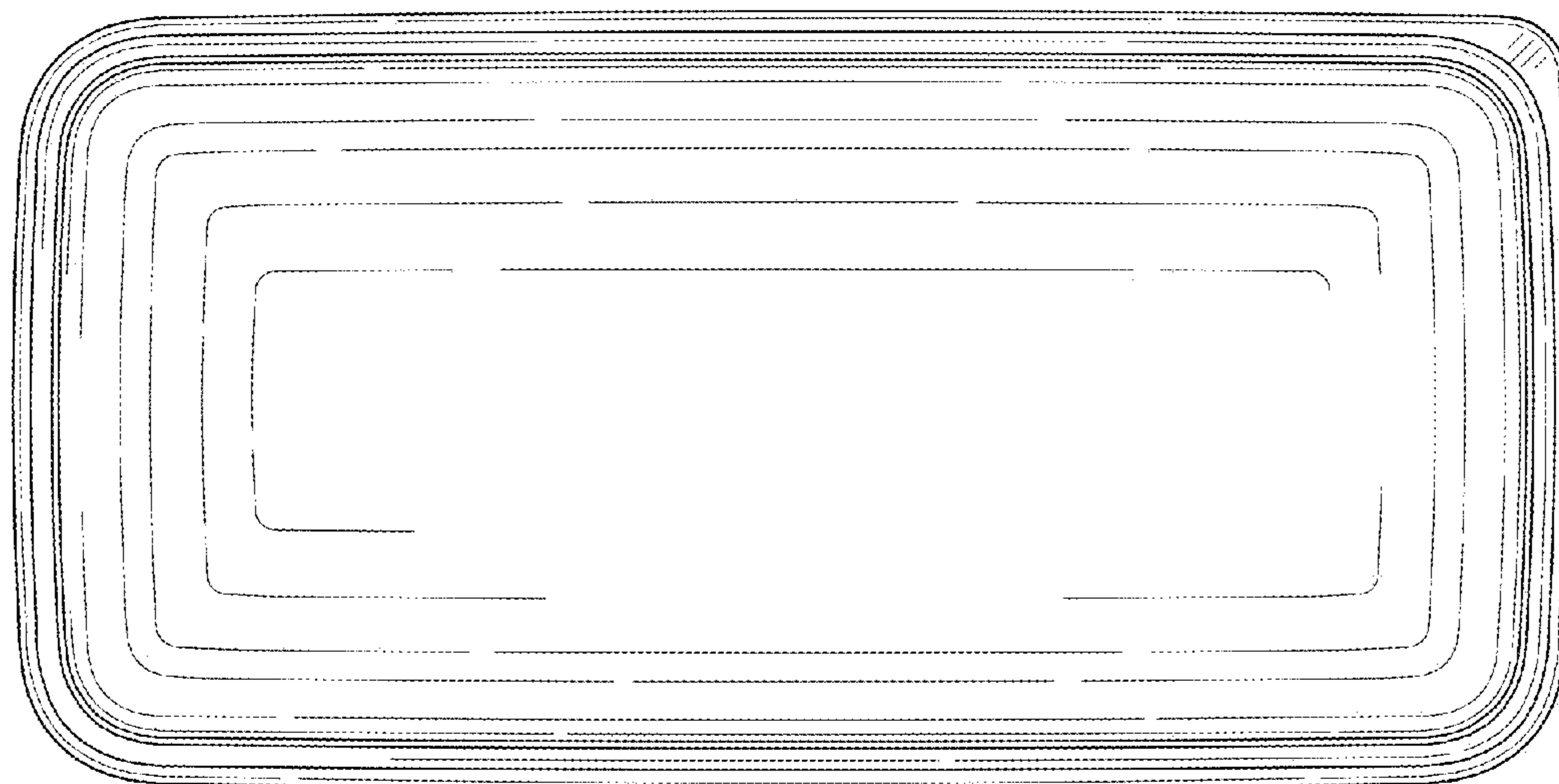


FIG. 28

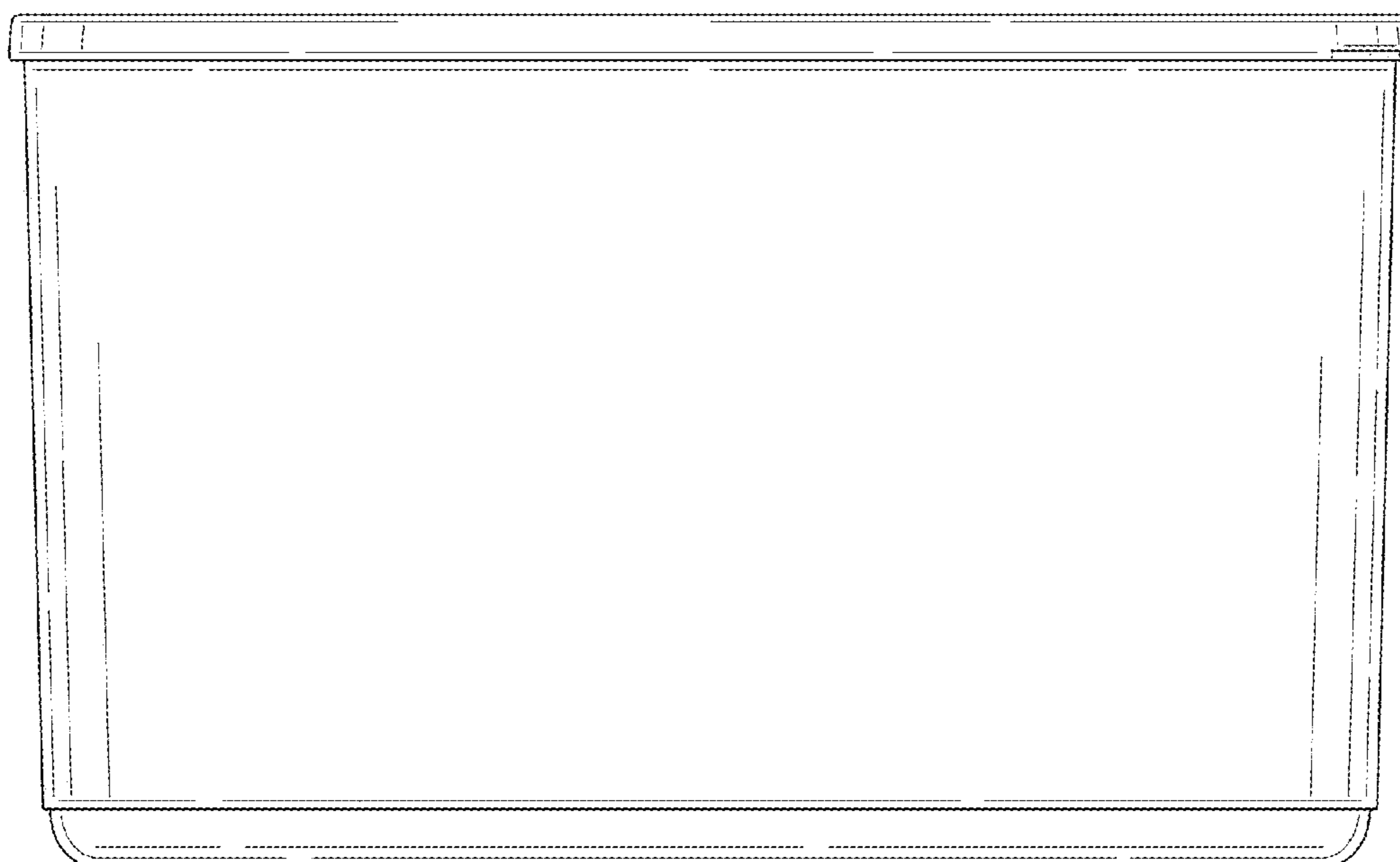


FIG. 29

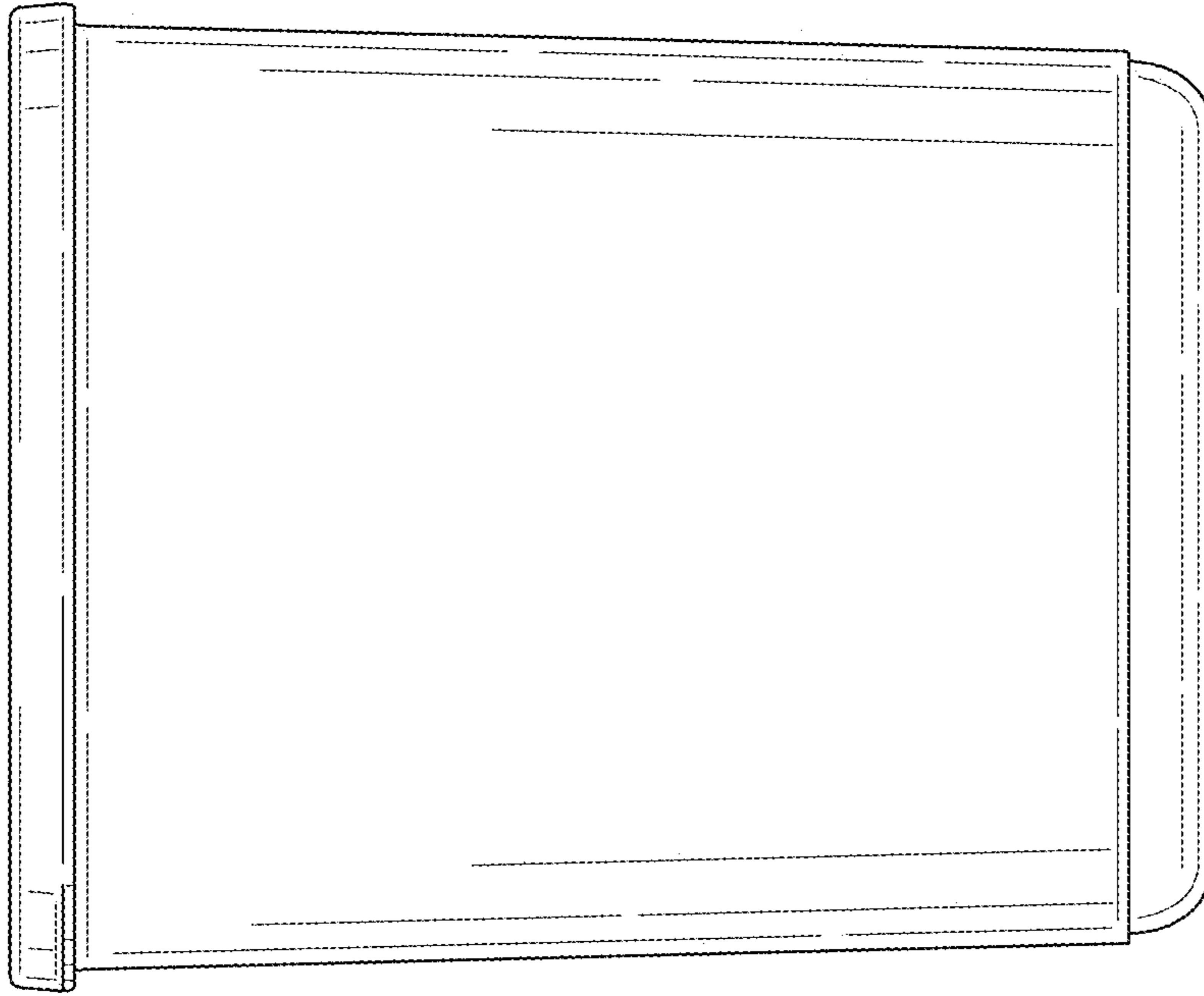


FIG. 31

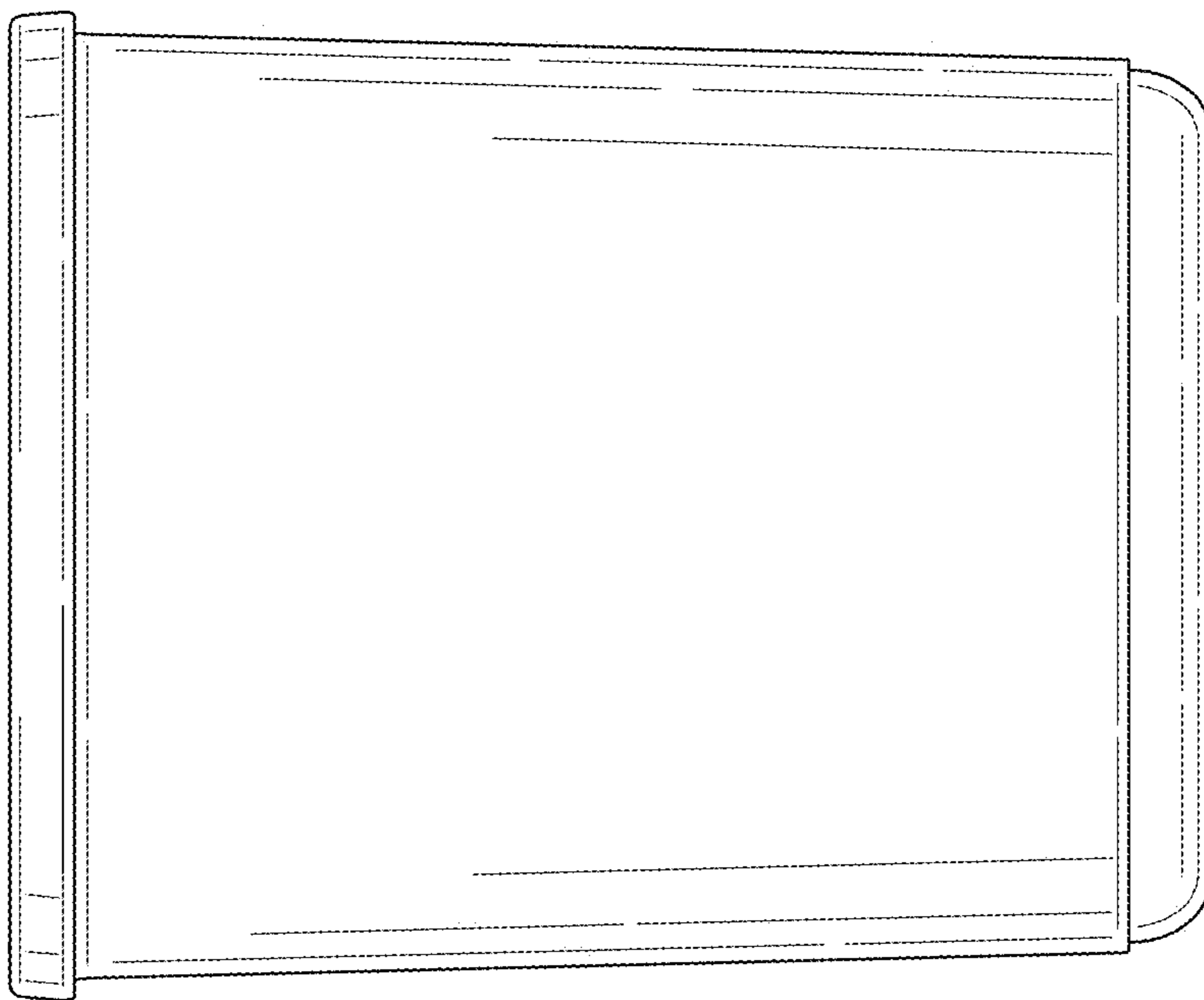


FIG. 30

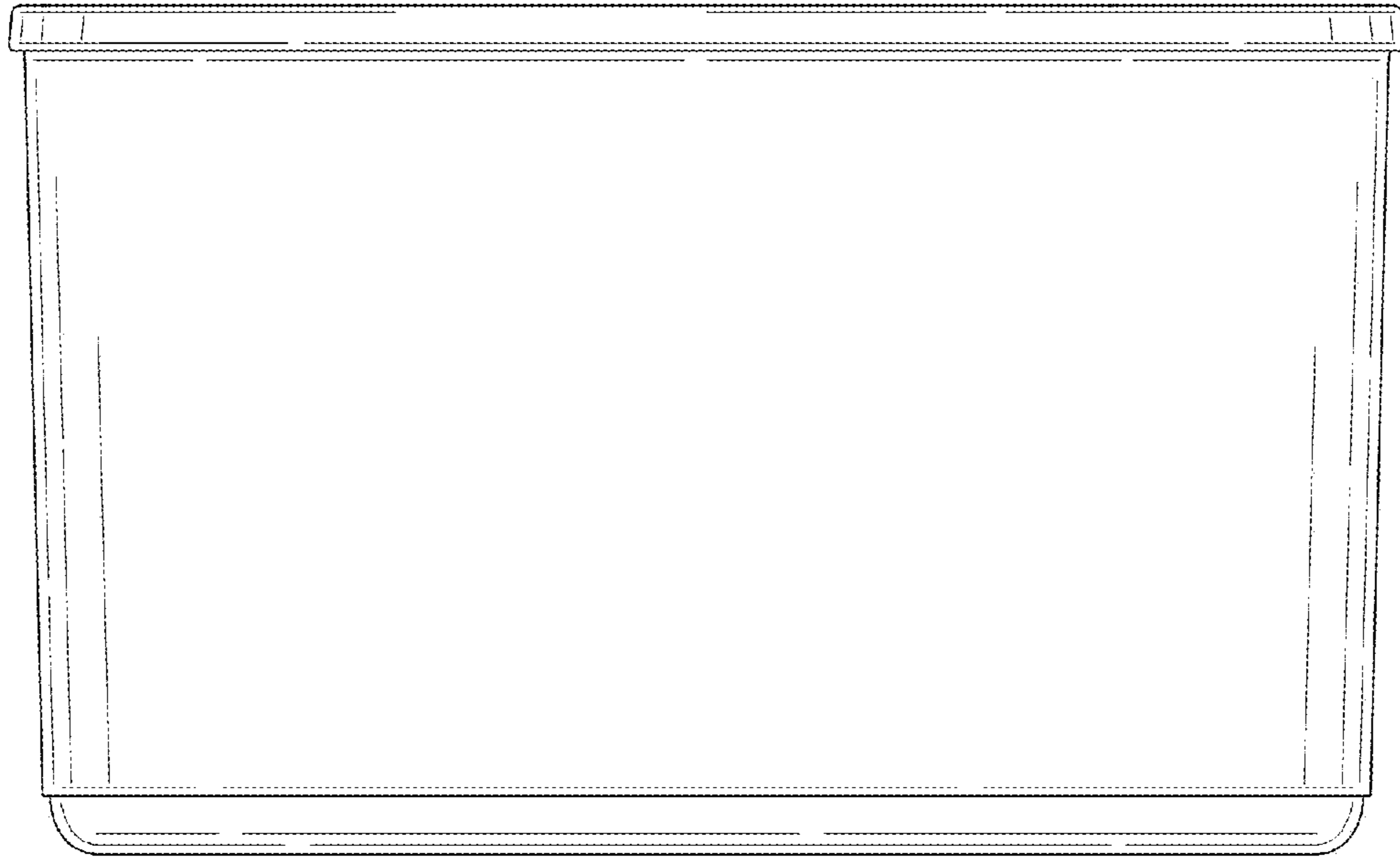


FIG. 32

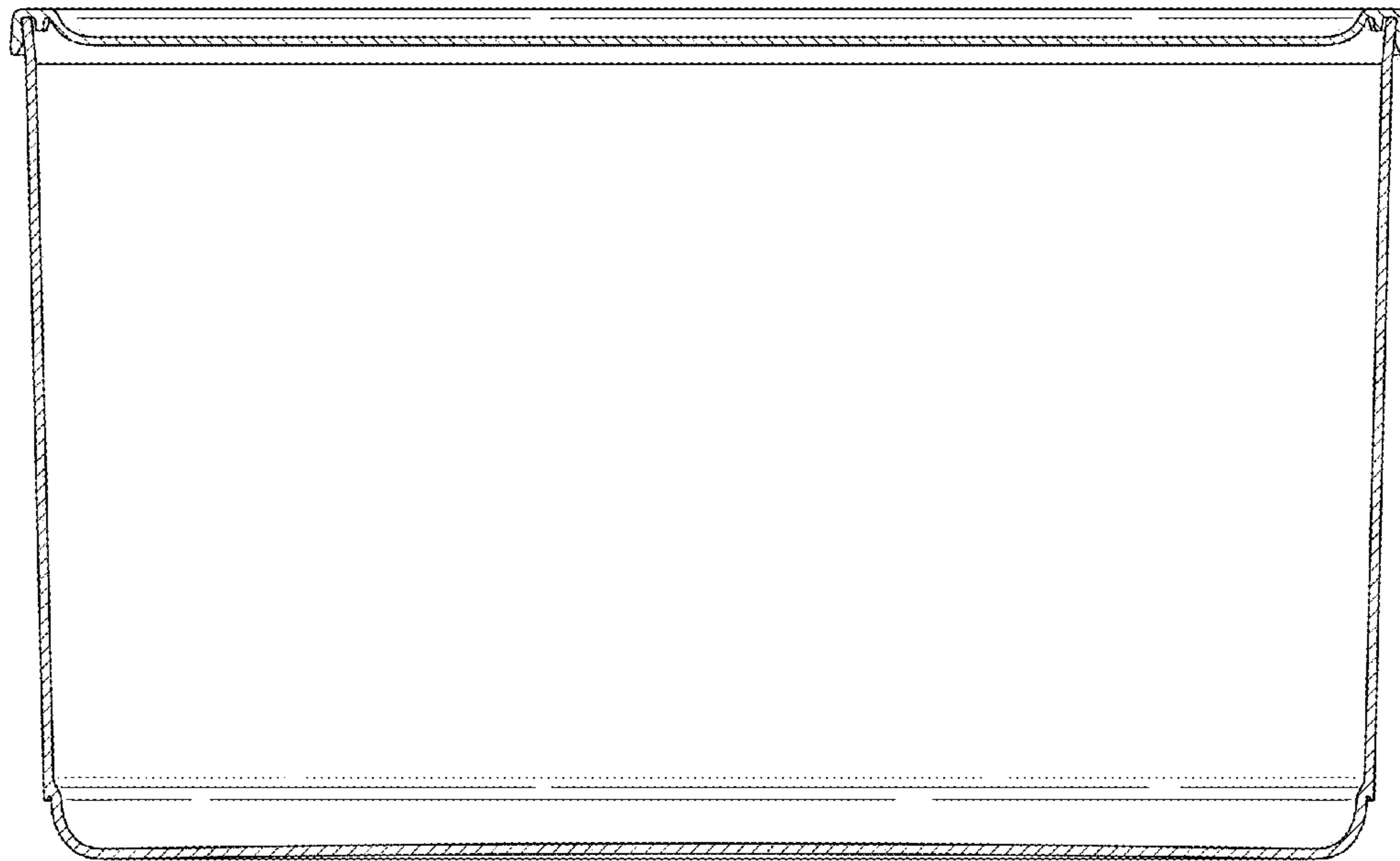


FIG. 33

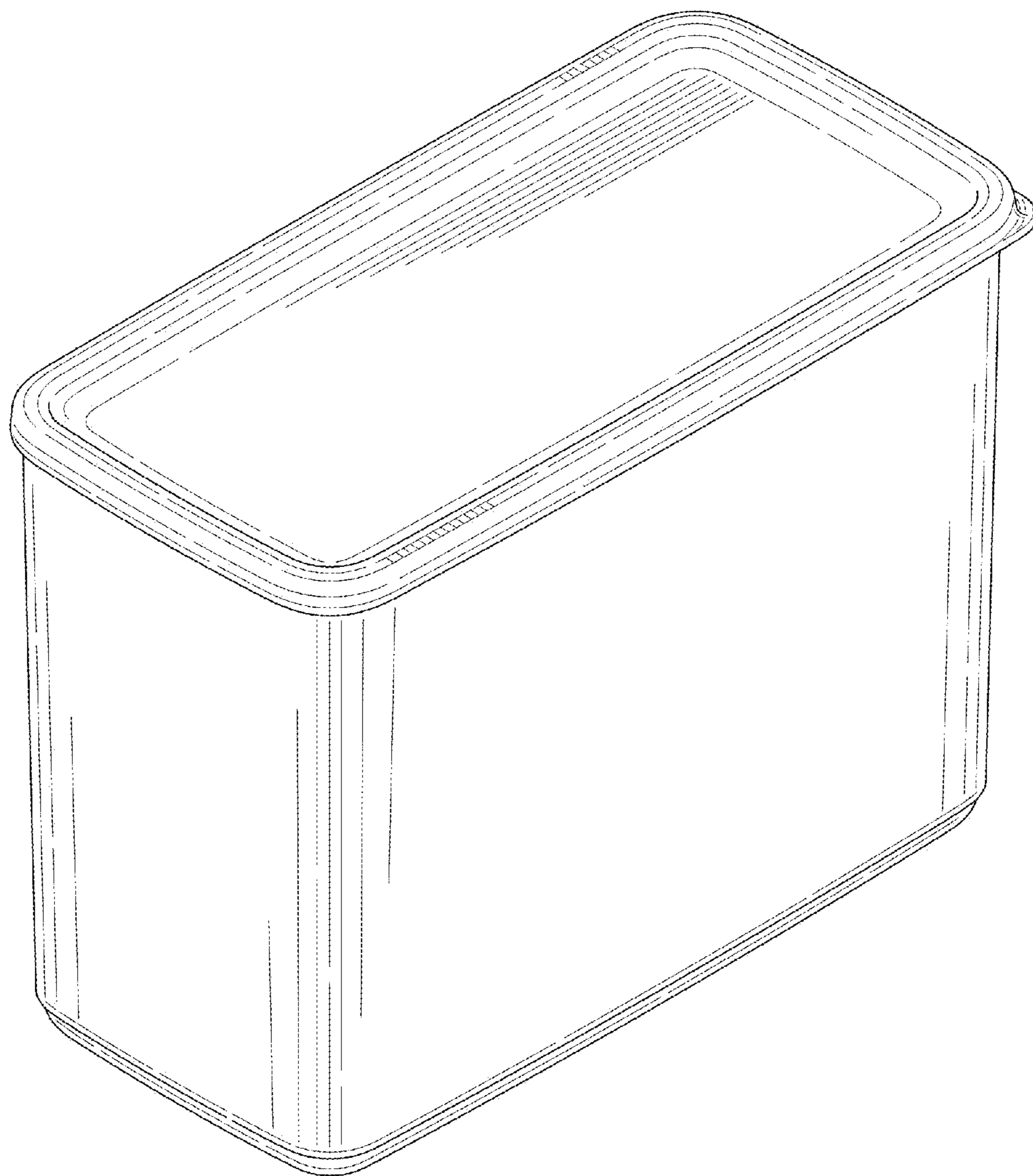


FIG. 34



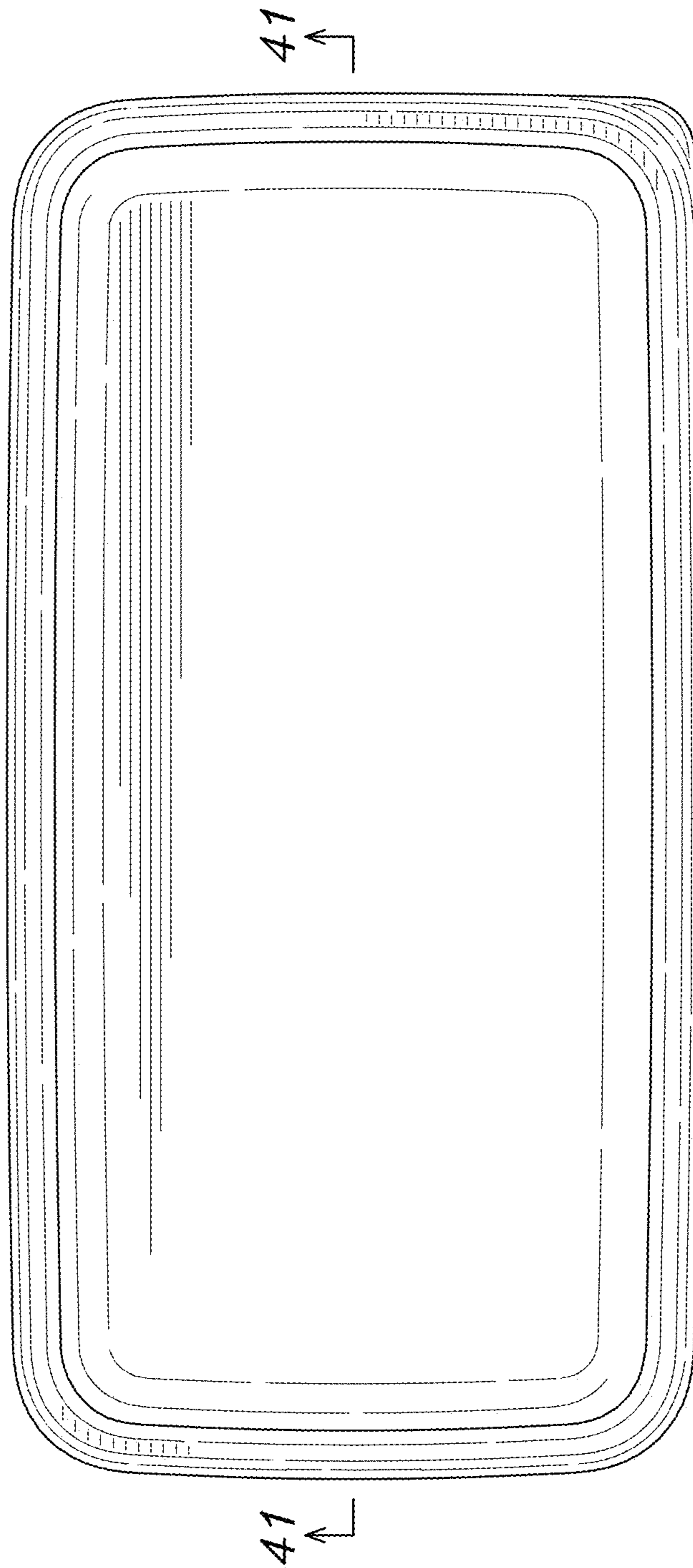


FIG. 35

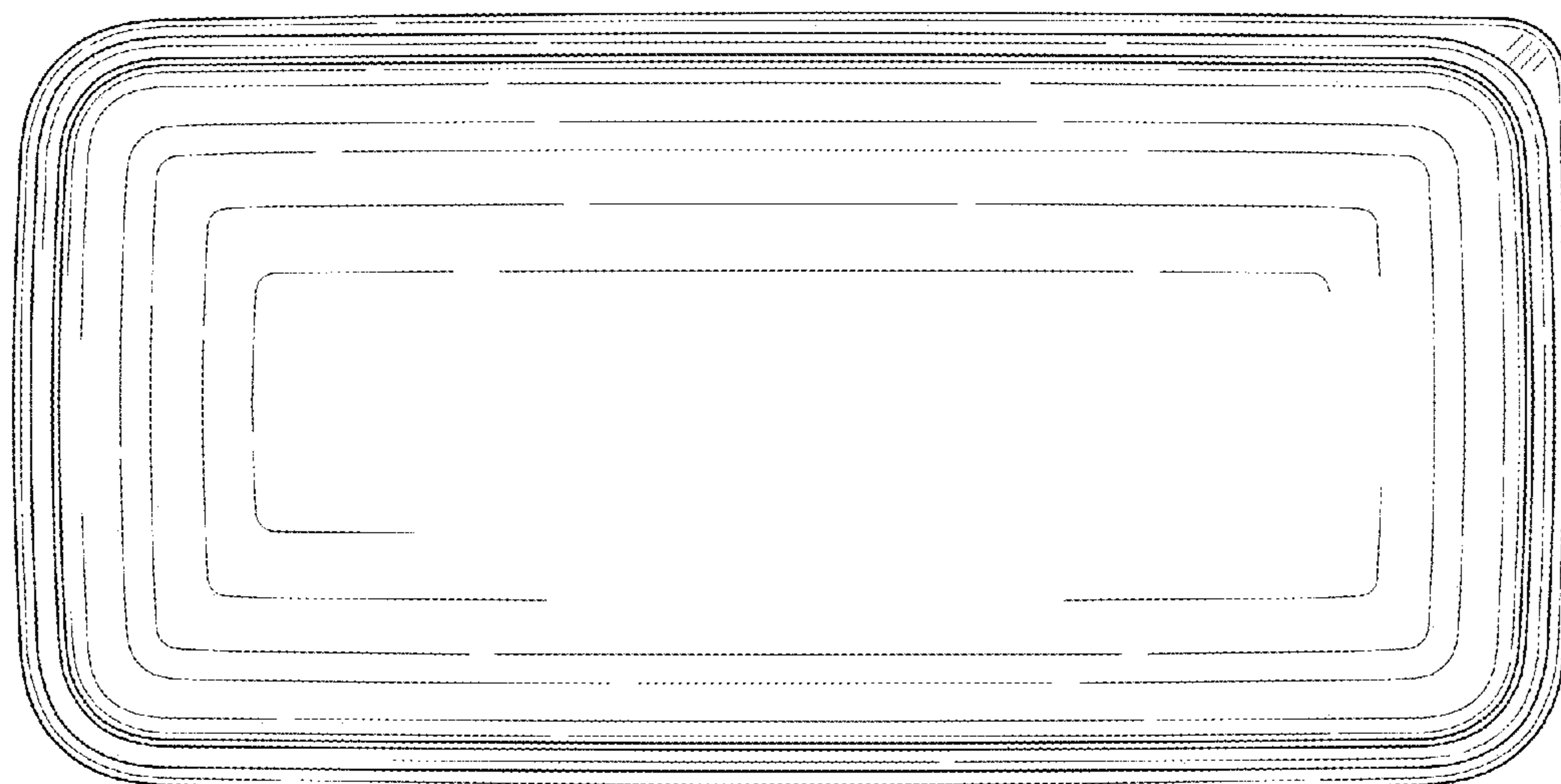


FIG. 36

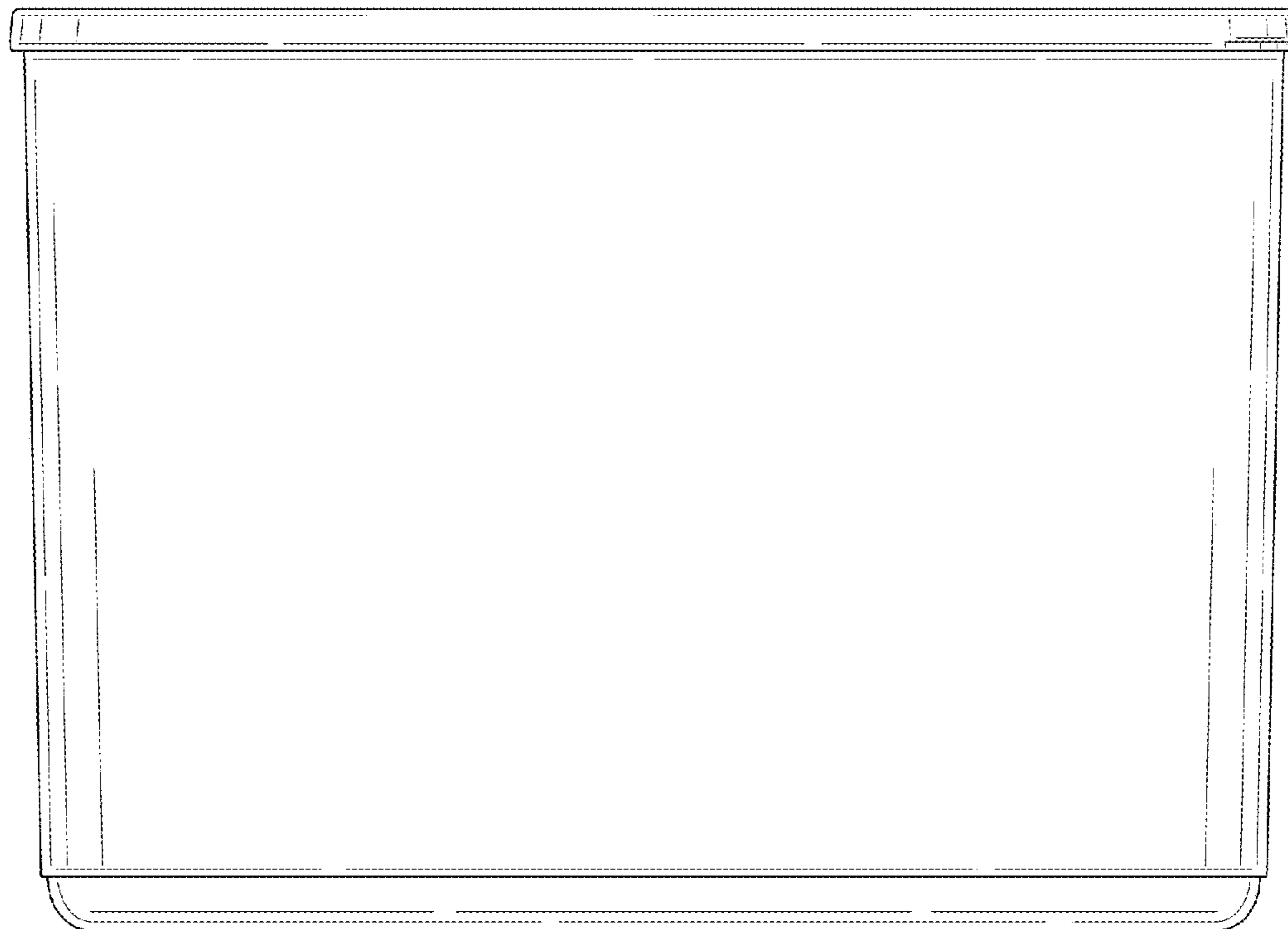


FIG. 37

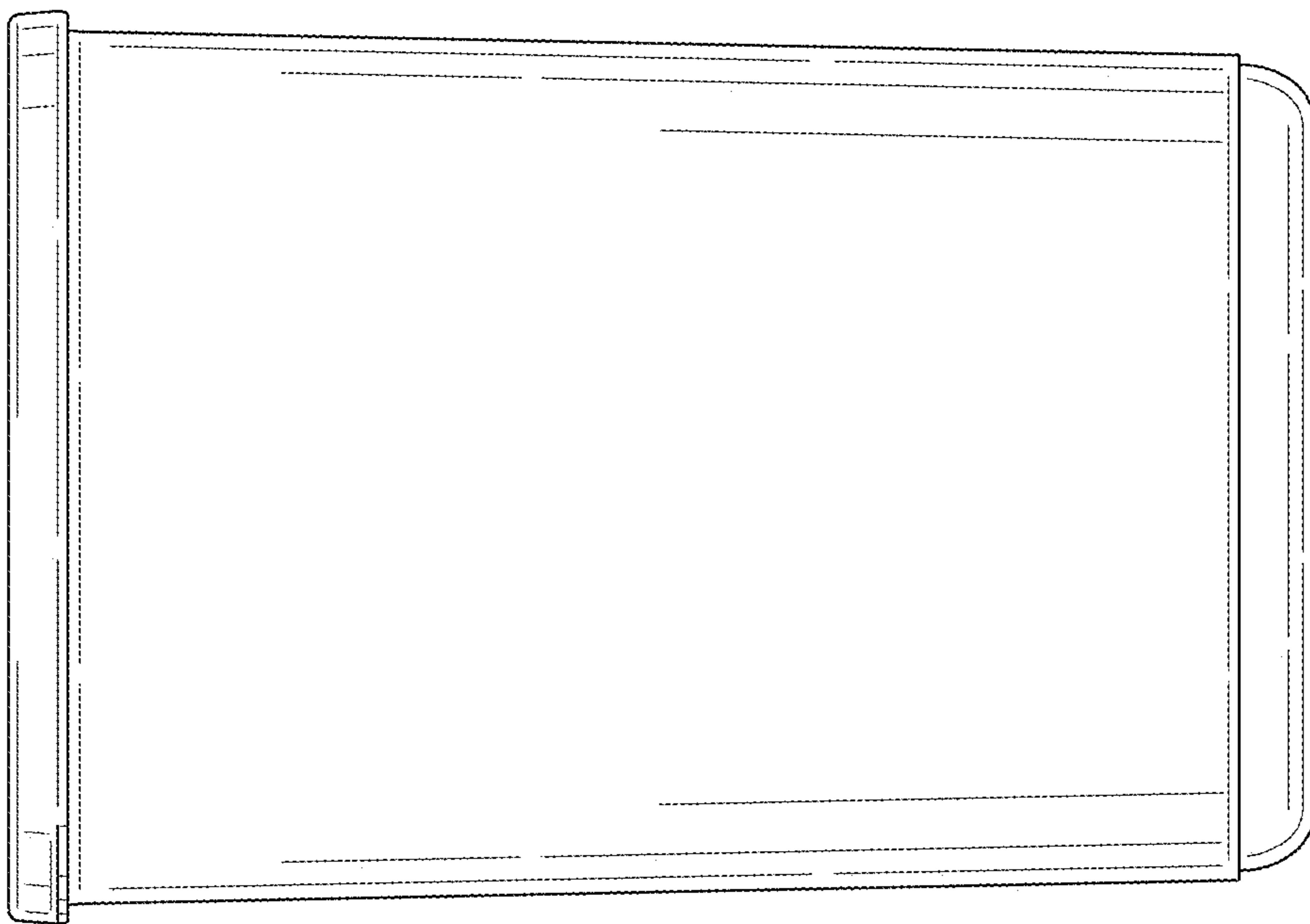


FIG. 39

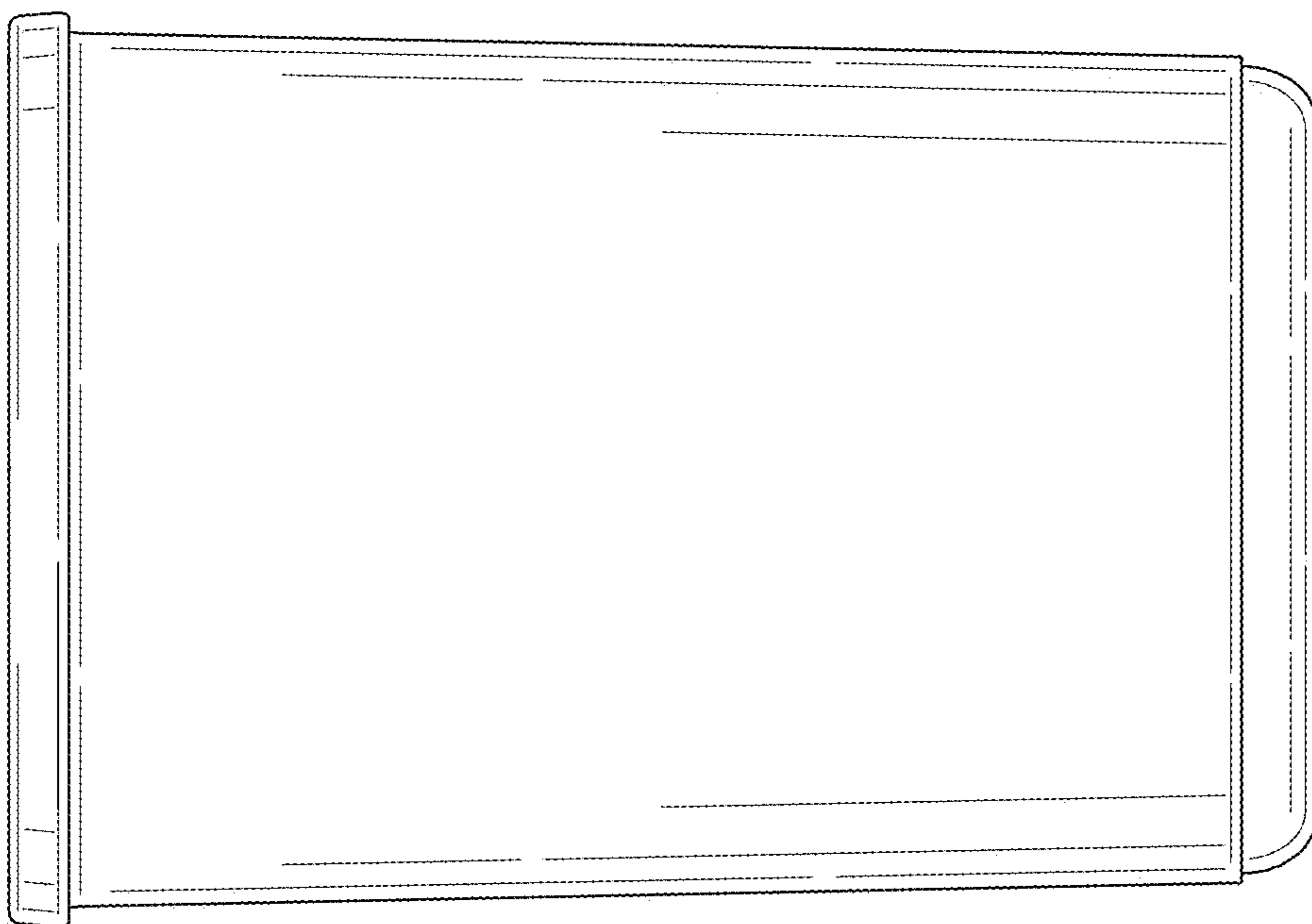


FIG. 38

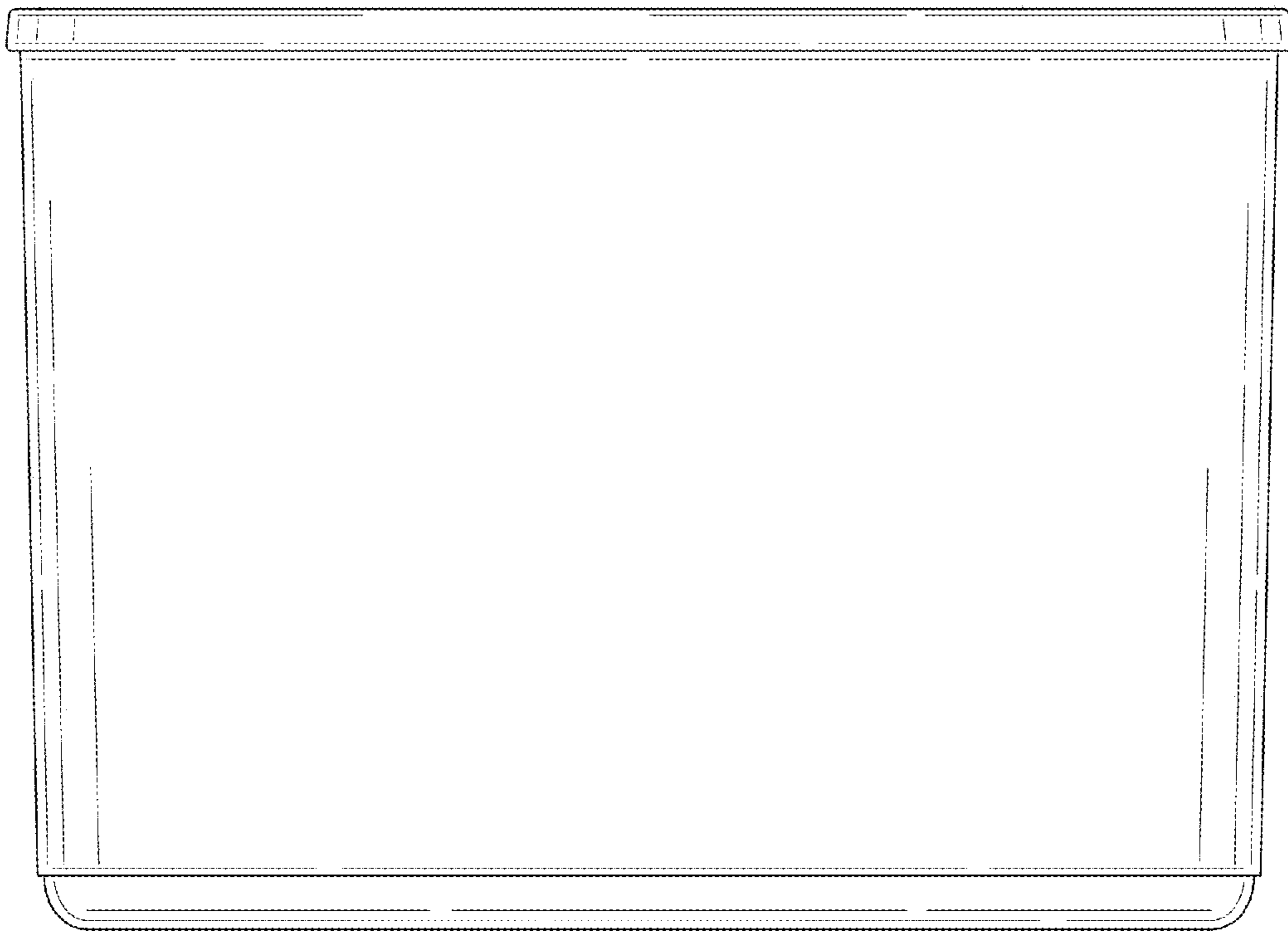


FIG. 40

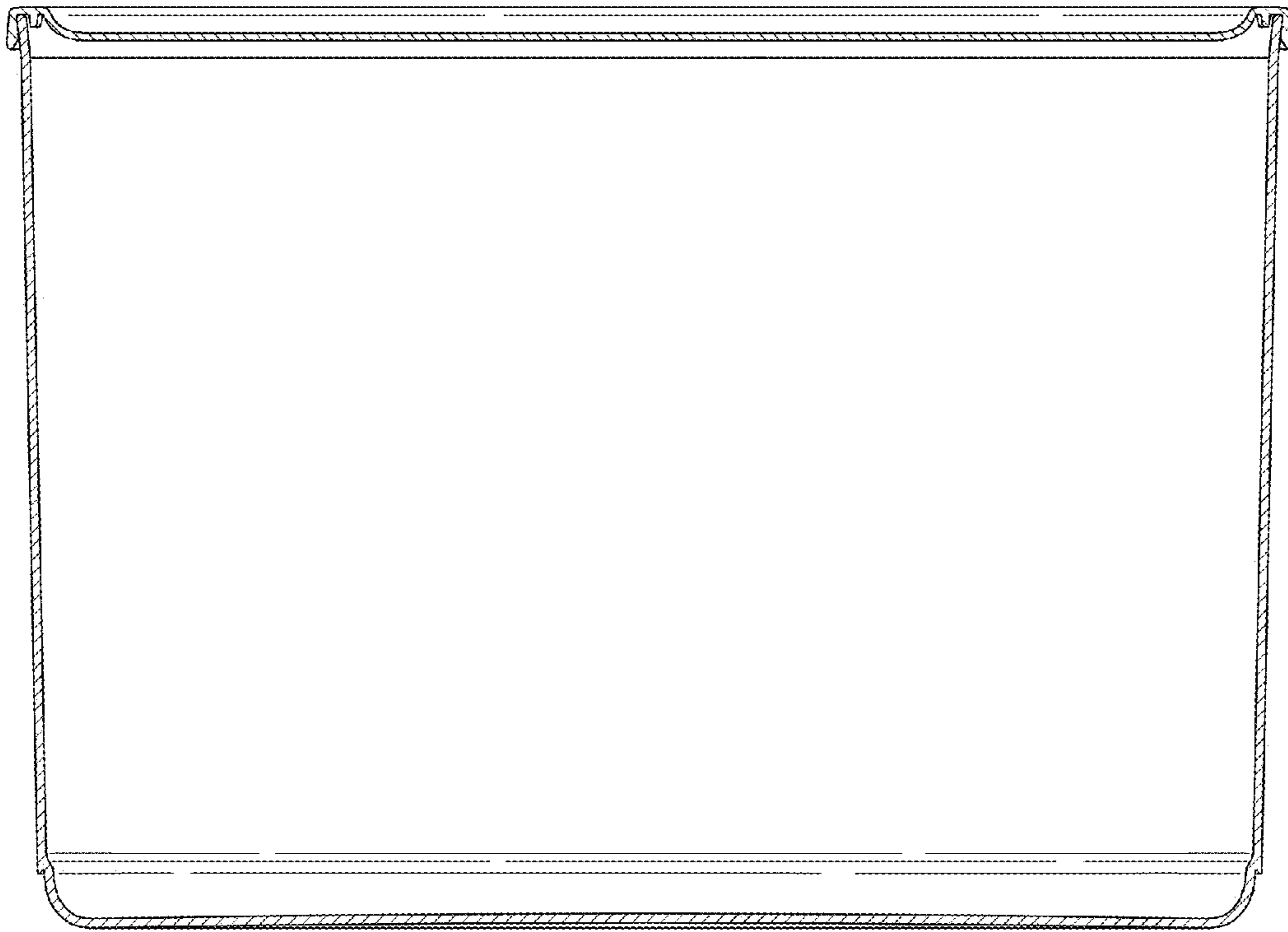


FIG. 41