



US00D750422S

(12) **United States Design Patent**
Jürs

(10) **Patent No.:** **US D750,422 S**
(45) **Date of Patent:** **** Mar. 1, 2016**

- (54) **MACHINE FOR PREPARING FOOD**
- (71) Applicant: **NORDISCHER MASCHINENBAU RUD. BAADER GMBH+ CO. KG, Lubeck (DE)**
- (72) Inventor: **Michael Jürs, Neustadt (DE)**
- (73) Assignee: **Nordischer Mashinenbau Rud. Baader GmbH + Co. KG, Lubeck (DE)**
- (**) Term: **14 Years**
- (21) Appl. No.: **29/489,257**
- (22) Filed: **Apr. 29, 2014**

4,985,965	A *	1/1991	Leavitt	A22C 25/14 452/135
5,503,593	A *	4/1996	Schill	A22C 25/17 452/127
5,580,167	A	12/1996	Drocco	
D377,496	S	1/1997	Poole	
6,367,371	B1	4/2002	Ni	
6,435,079	B2	8/2002	Mondini	
7,614,360	B2	11/2009	Muniga et al.	
7,934,448	B2	5/2011	Walser	
8,151,695	B2	4/2012	Szymanski	
D696,970	S	1/2014	Runger et al.	
8,715,045	B2	5/2014	Jacobsen et al.	
8,728,555	B1	5/2014	Howard	
2015/0087214	A1	3/2015	Jurs et al.	
2015/0257398	A1	9/2015	Pedersen	

(30) **Foreign Application Priority Data**

Nov. 1, 2013	(CN)	2013 3 0522007
Nov. 1, 2013	(CN)	2013 3 0522409
Nov. 1, 2013	(EM)	002337139-003
Nov. 1, 2013	(EM)	002337139-004

- (51) **LOC (10) Cl.** **31-00**
- (52) **U.S. Cl.**
USPC **D7/368**

- (58) **Field of Classification Search**
USPC D7/368; 452/127, 125, 121, 130, 152,
452/161, 162, 135; D15/122, 124, 127,
D15/145, 199
CPC A22C 25/17; A22C 25/16; A22C 25/14
See application file for complete search history.

(56) **References Cited**

U.S. PATENT DOCUMENTS

1,380,652	A	6/1921	Huidobro
1,523,843	A	1/1925	Smith
1,556,365	A	10/1925	Smith
1,569,472	A	1/1926	Fronney
2,114,020	A	4/1938	Fronney
2,350,643	A	6/1944	Schwebke et al.
D166,166	S	3/1952	Knapp

OTHER PUBLICATIONS

Office Action dated Sep. 28, 2015 from U.S. Appl. No. 29/489,272, filed Apr. 29, 2014.

* cited by examiner

Primary Examiner — Terry Wallace
(74) *Attorney, Agent, or Firm* — Sunstone IP

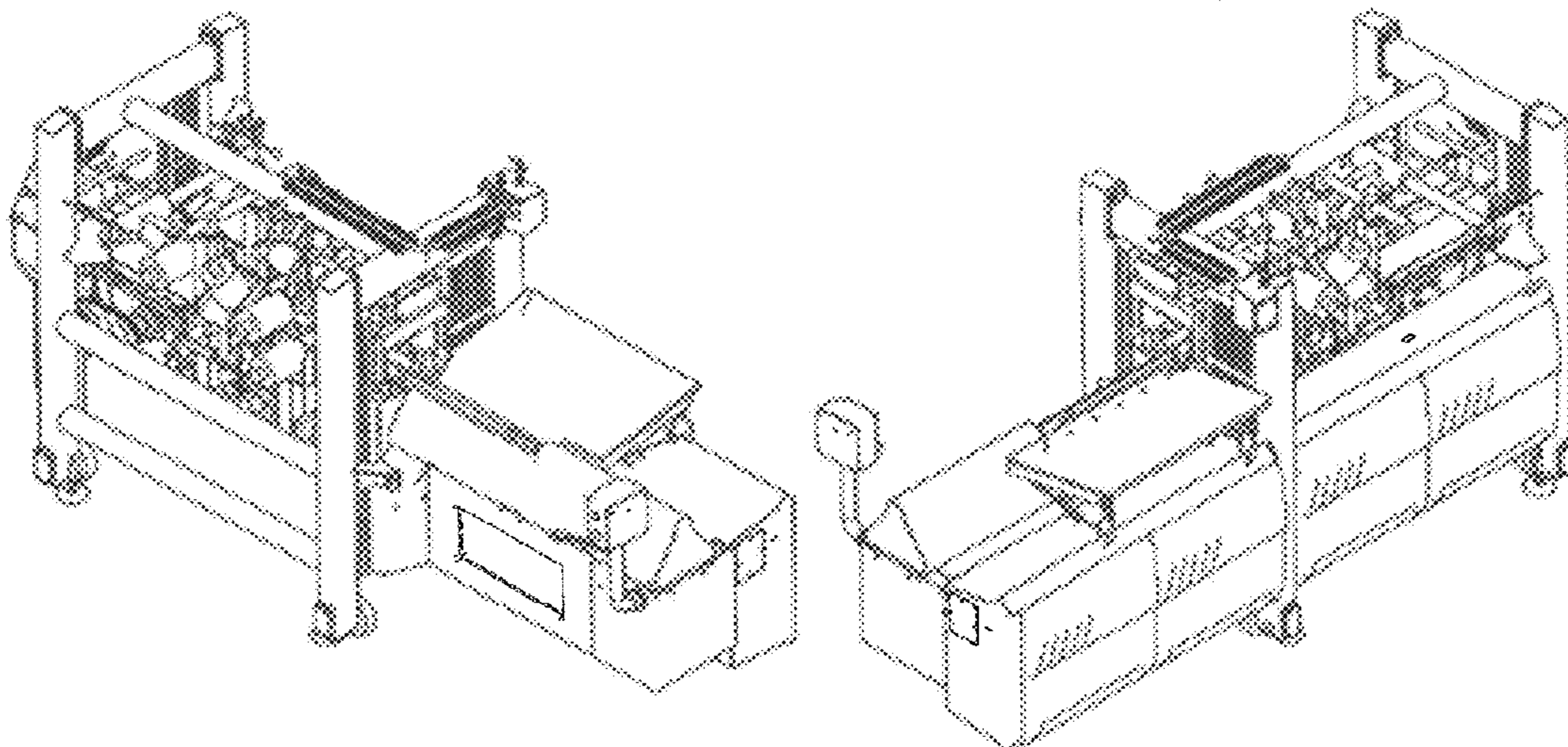
(57) **CLAIM**

The ornamental design for a machine for preparing food, as shown and described.

DESCRIPTION

FIG. 1 is a front elevational view of a machine for preparing food;
 FIG. 2 is a rear elevational view thereof;
 FIG. 3 is a right side elevational view thereof;
 FIG. 4 is a left side elevational view thereof;
 FIG. 5 is a top plan view thereof;
 FIG. 6 is a bottom plan view thereof;
 FIG. 7 is a perspective view thereof;
 FIG. 8 is an alternative perspective view thereof;
 FIG. 9 is another alternative perspective view thereof; and,
 FIG. 10 is yet another alternative perspective view thereof.

1 Claim, 8 Drawing Sheets



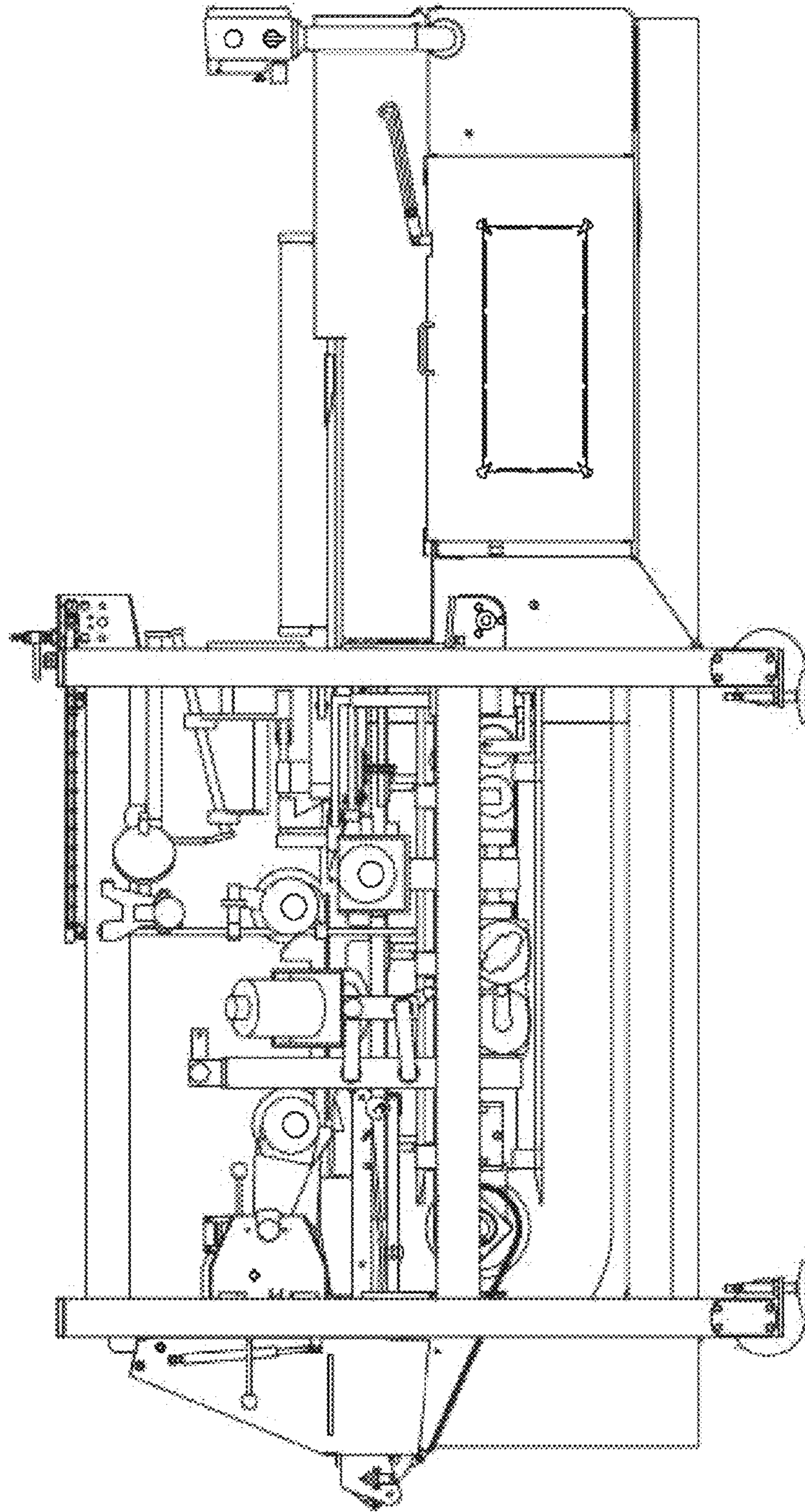


FIG. 1

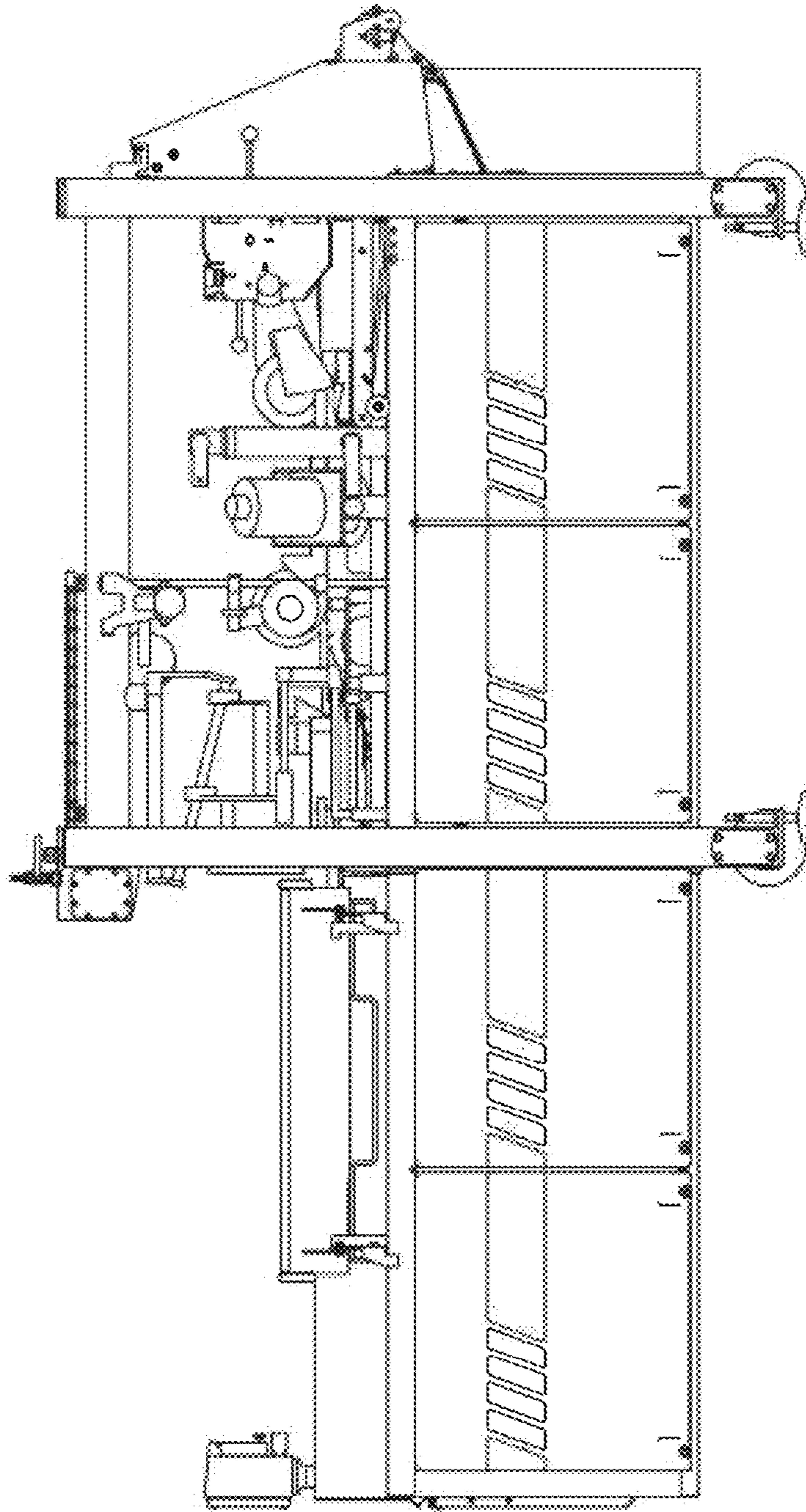


FIG. 2

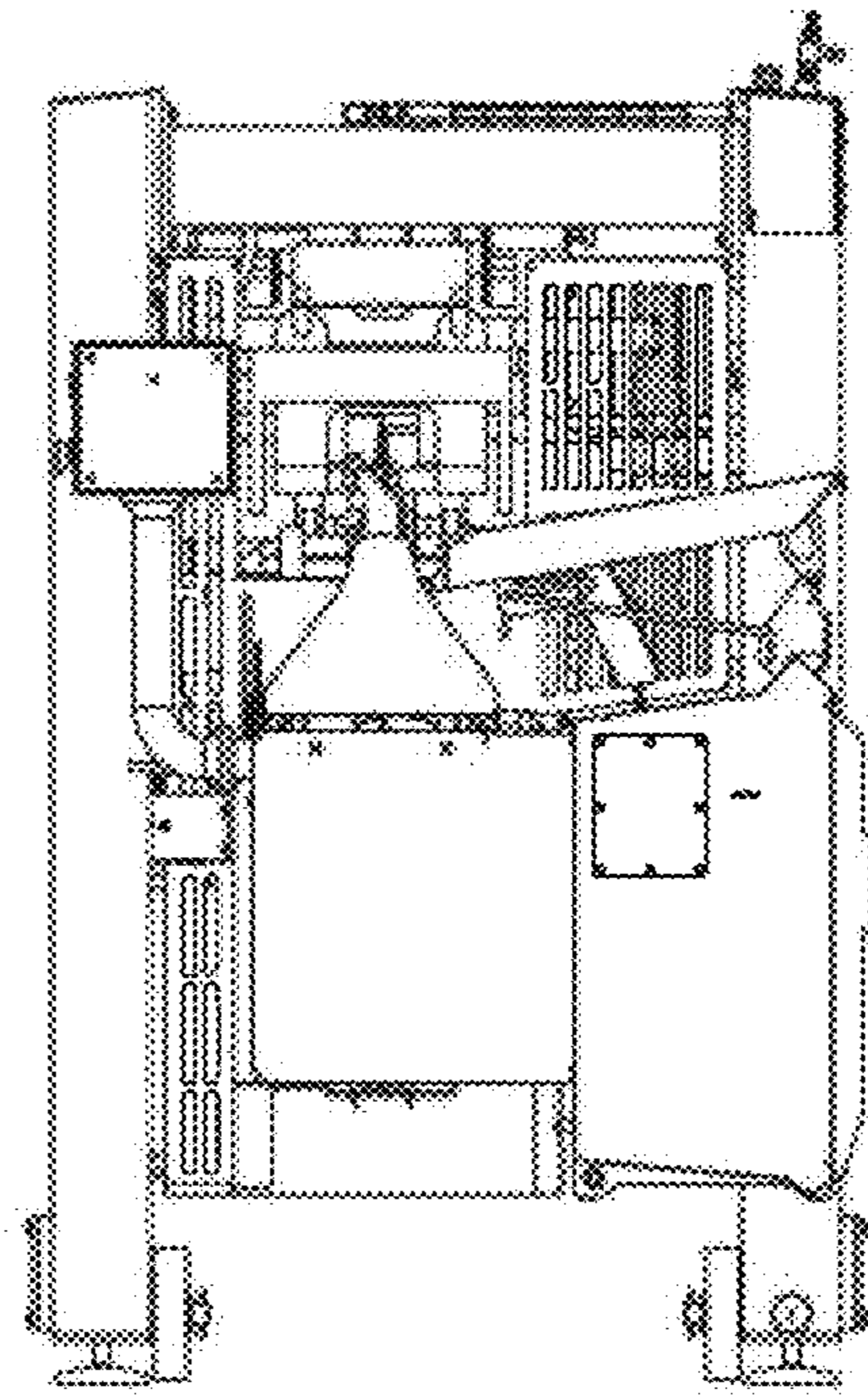


FIG. 3

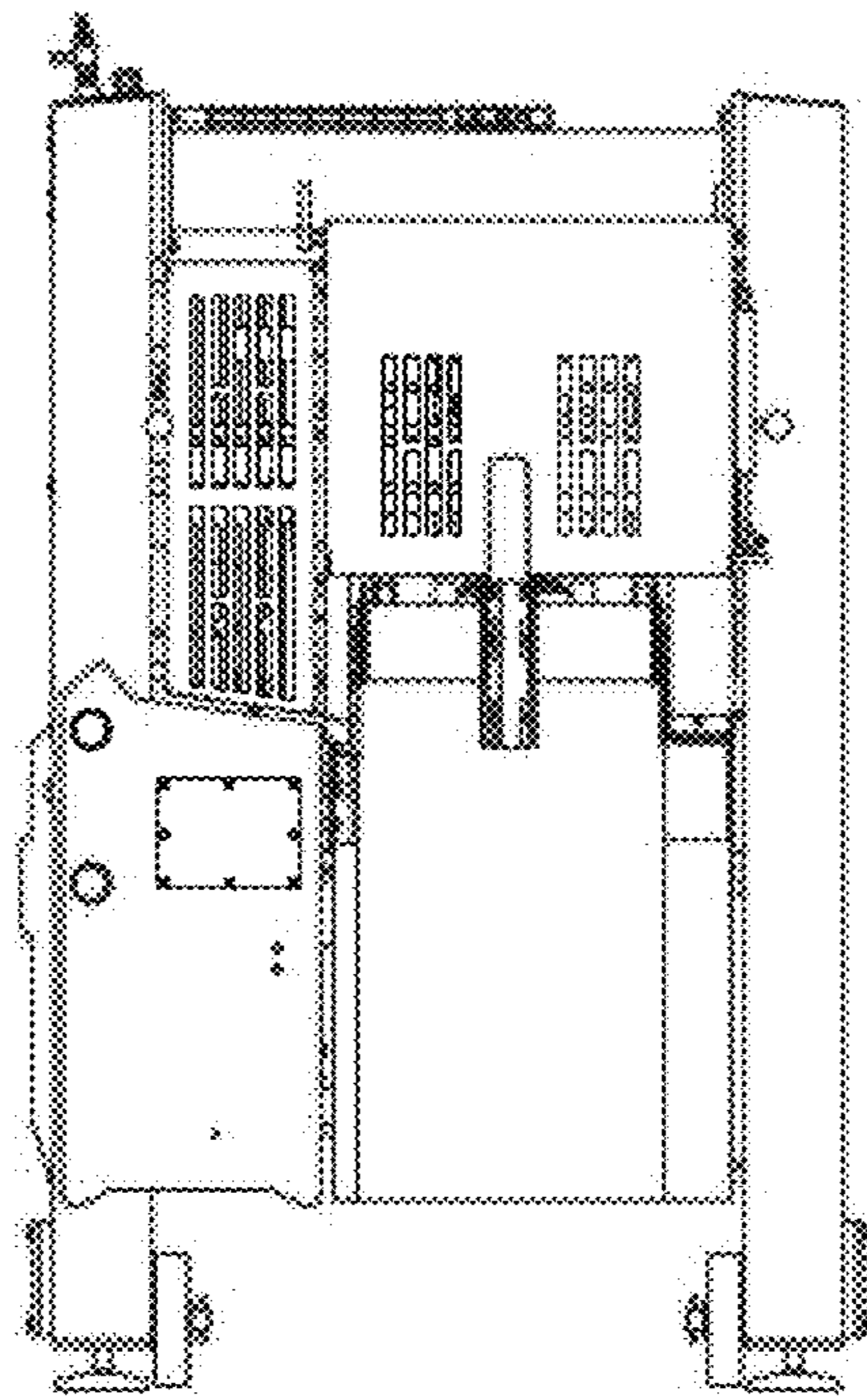


FIG. 4

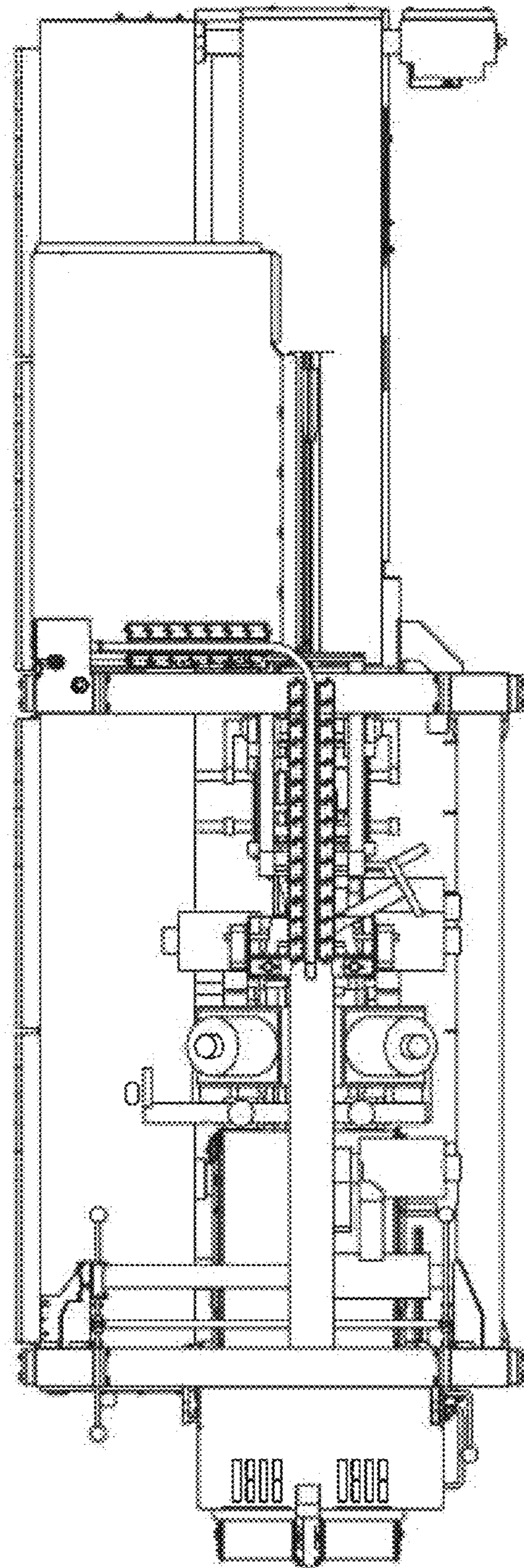


FIG. 5

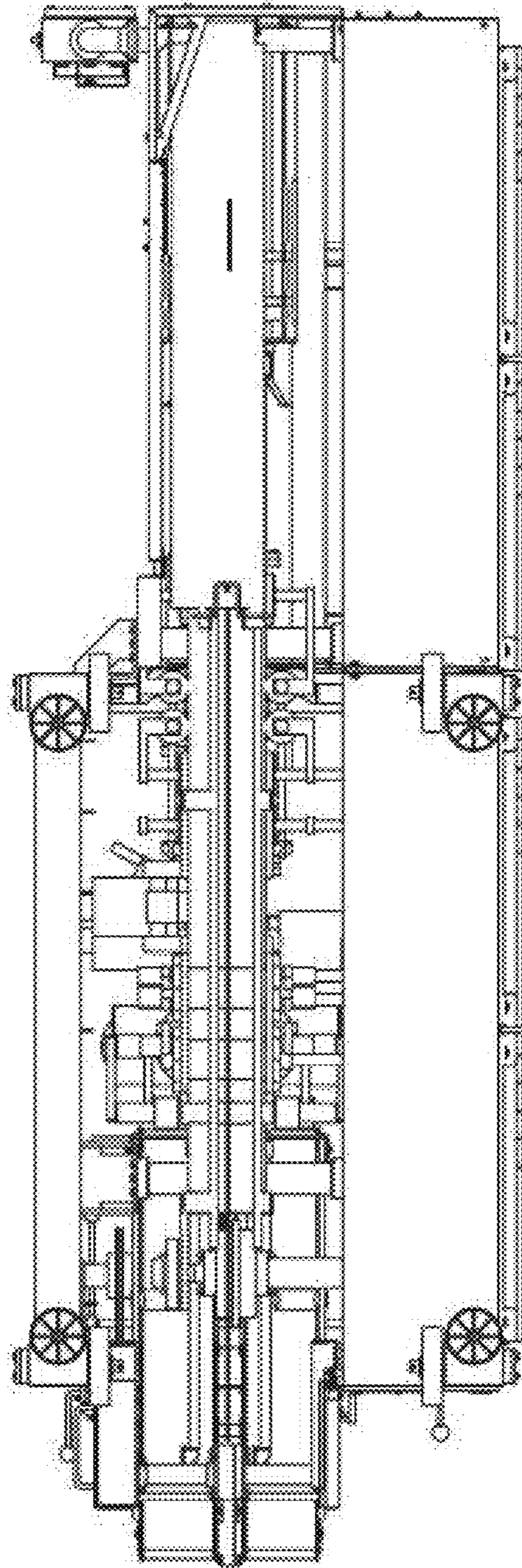


FIG. 6

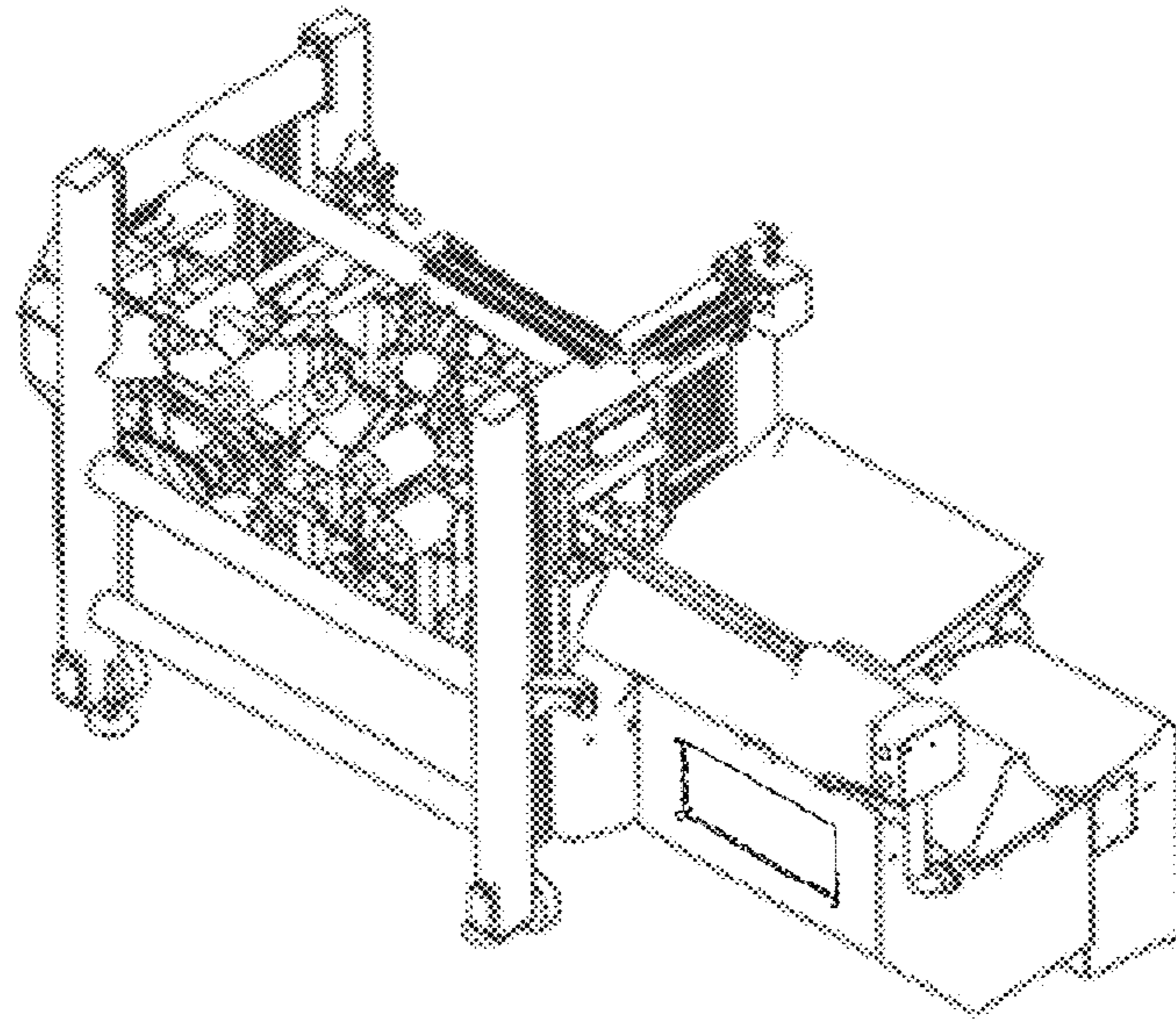


FIG. 7

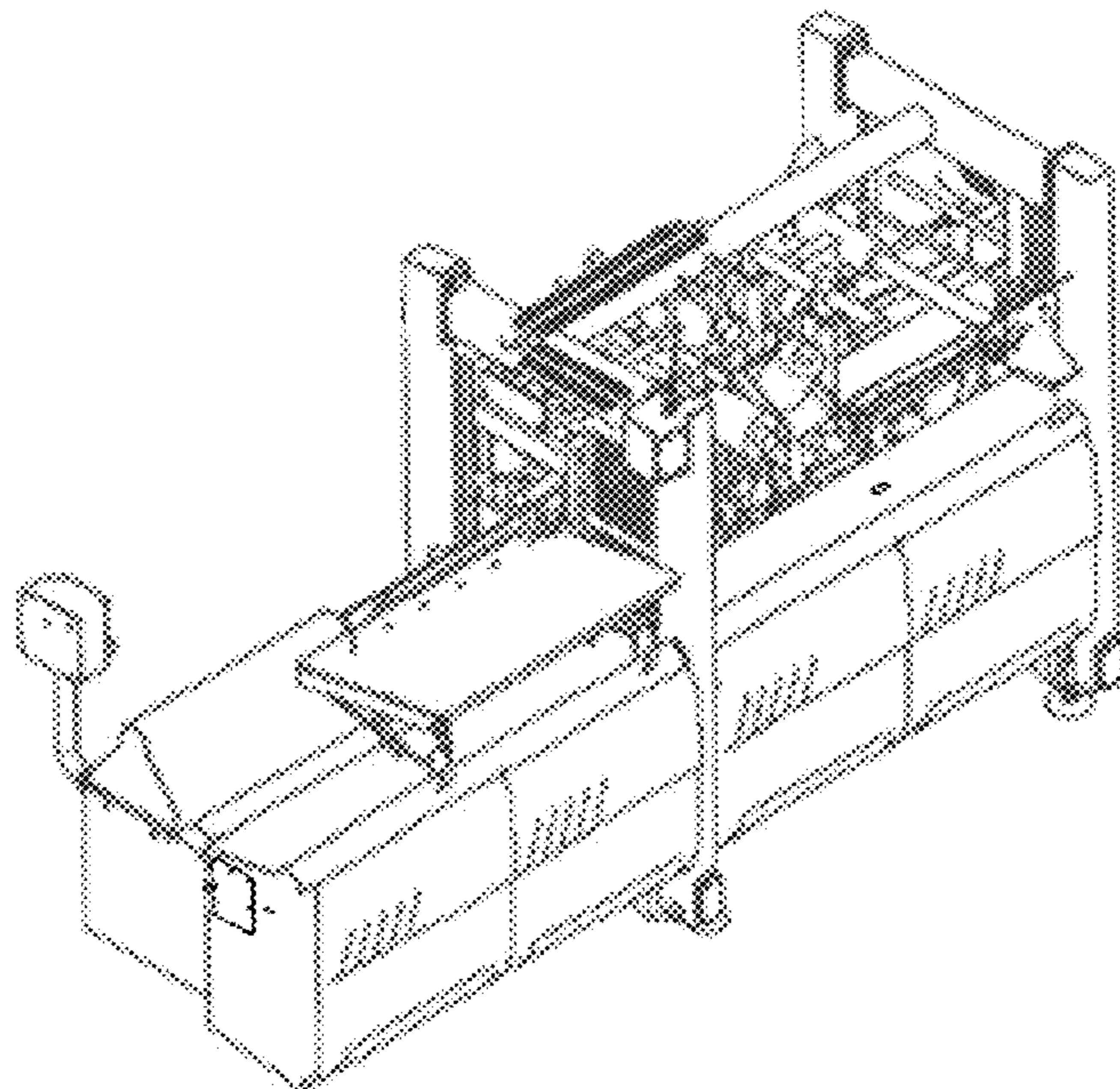


FIG. 8

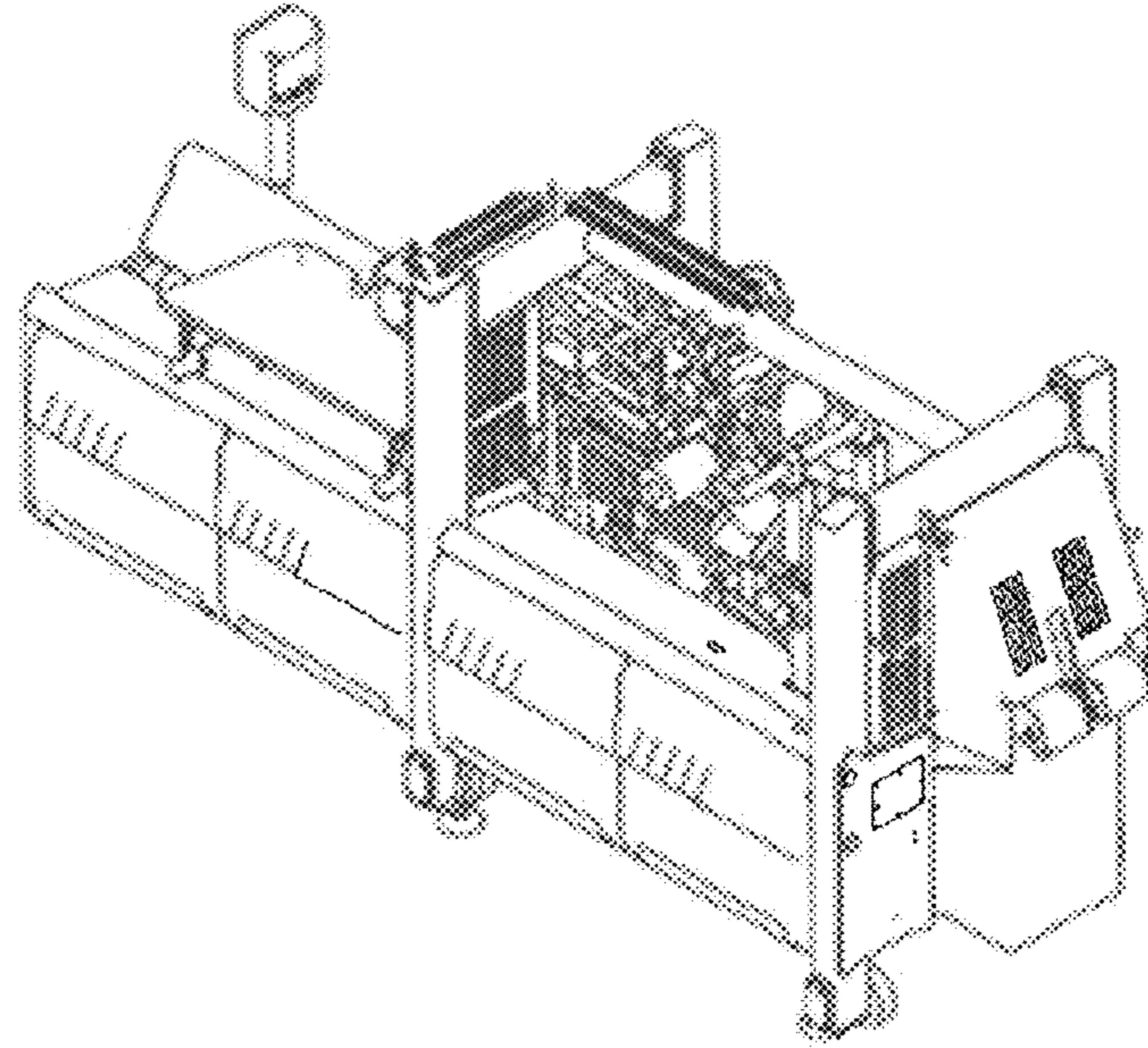


FIG. 9

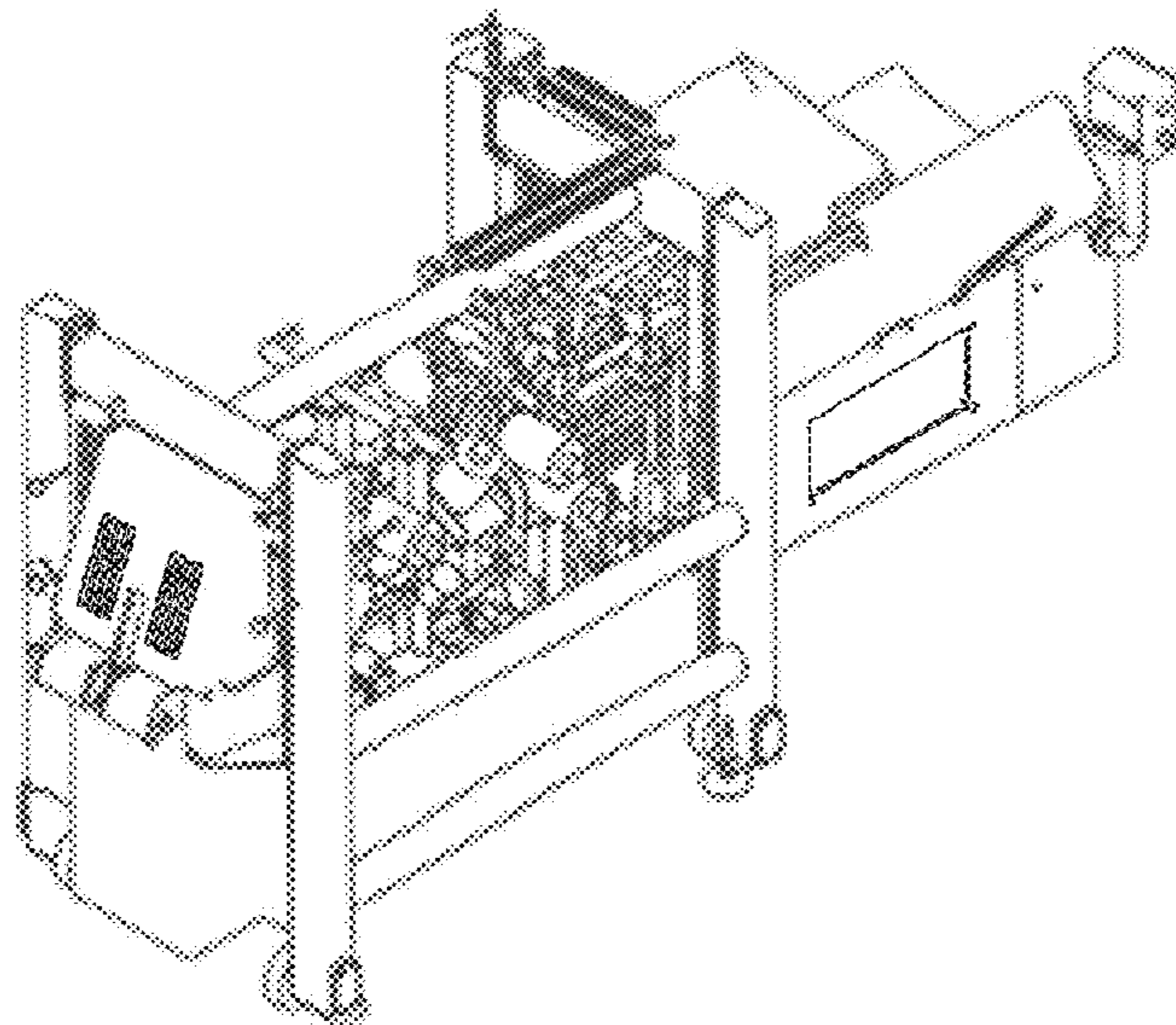


FIG. 10