



US00D750419S

(12) **United States Design Patent**
Hu

(10) **Patent No.:** **US D750,419 S**
(45) **Date of Patent:** **** Mar. 1, 2016**

(54) **RICE COOKER**

(56) **References Cited**

(71) Applicant: **KONINKLIJKE PHILIPS N.V.**,
Eindhoven (NL)

(72) Inventor: **Guo Ning Hu**, Shanghai (CN)

(73) Assignee: **KONINKLIJKE PHILIPS N.V.**,
Eindhoven (NL)

(**) Term: **14 Years**

(21) Appl. No.: **29/509,794**

(22) Filed: **Nov. 21, 2014**

(30) **Foreign Application Priority Data**

May 26, 2014 (EM) 002470419-0001

(51) **LOC (10) Cl.** **07-02**

(52) **U.S. Cl.**
USPC **D7/354**

(58) **Field of Classification Search**

USPC D7/323, 354-361
CPC A47J 27/00; A47J 27/04; A47J 27/05;
A47J 27/08; A47J 27/09; A47J 27/092;
A47J 27/13; A47J 36/025; A47J 36/06;
A47J 36/08; A47J 36/10; A47J 36/12; A47J
37/12; A47J 37/1204; A47J 37/1209; H05B
6/02; H05B 6/06; H05B 6/12

See application file for complete search history.

U.S. PATENT DOCUMENTS

D152,042 S *	12/1948	Sundberg et. al.	D7/360
D360,804 S *	8/1995	Hamada	D7/323
D474,937 S *	5/2003	Josancy	D7/354
D592,008 S *	5/2009	Reiner	D7/354
D608,136 S *	1/2010	Choi	D7/354
D611,757 S *	3/2010	Reiner	D7/354
D620,743 S *	8/2010	Hsiao	D7/354
D647,752 S *	11/2011	Curtis	D7/354
D676,271 S *	2/2013	Reiner	D7/354
D677,113 S *	3/2013	Reiner	D7/354
D715,090 S *	10/2014	Lin	D7/354
2013/0011537 A1 *	1/2013	Vahid	A47J 27/13 426/523

* cited by examiner

Primary Examiner — Ricky Pham

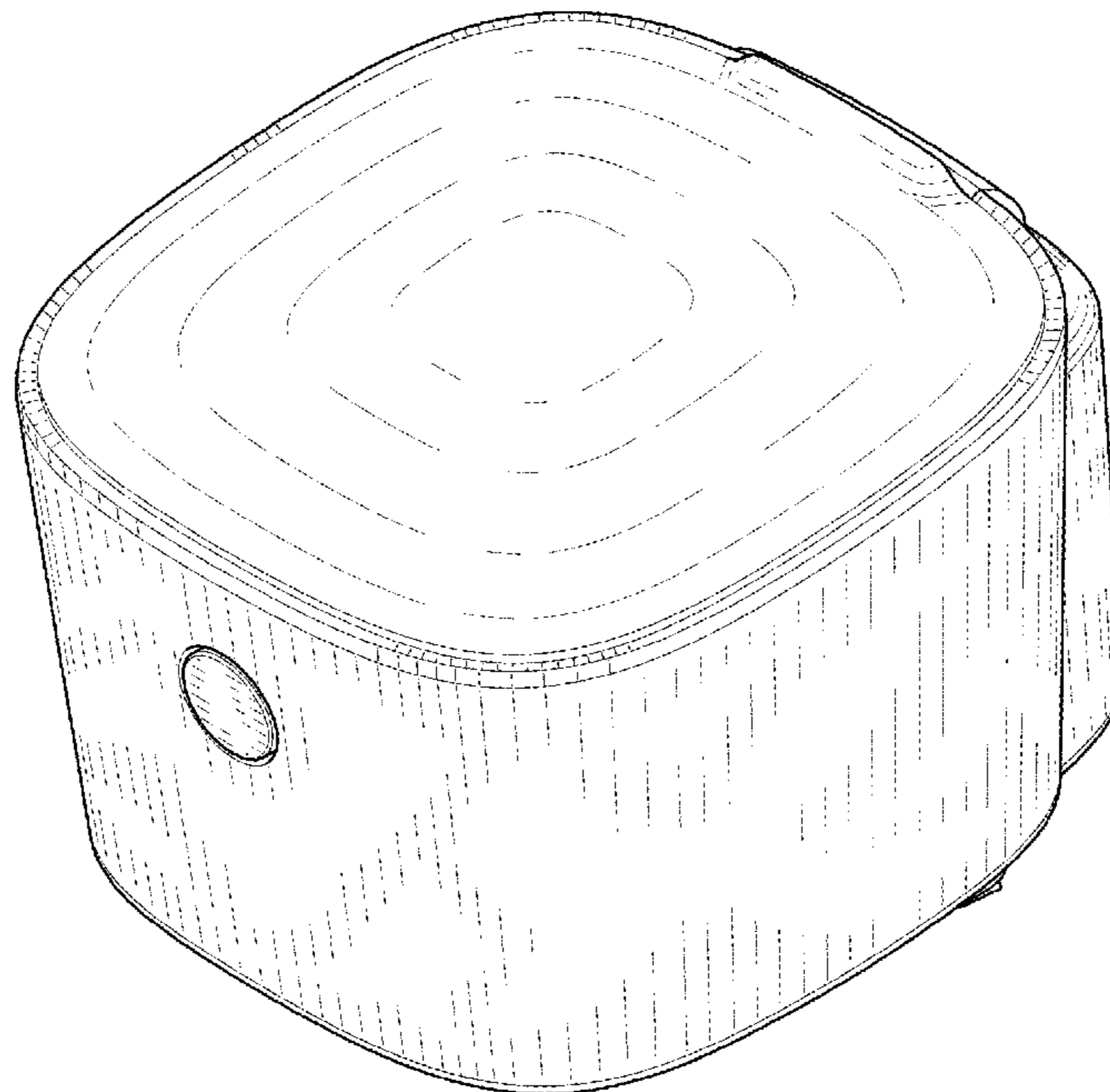
(57) **CLAIM**

The ornamental design for a rice cooker, as shown.

DESCRIPTION

FIG. 1 is a perspective view showing my design;
FIG. 2 is a front elevational view thereof;
FIG. 3 is a rear elevational view thereof;
FIG. 4 is a right side elevational view thereof;
FIG. 5 is a left side elevational view thereof;
FIG. 6 is a top plan view thereof; and,
FIG. 7 is a bottom plan view thereof.

1 Claim, 7 Drawing Sheets



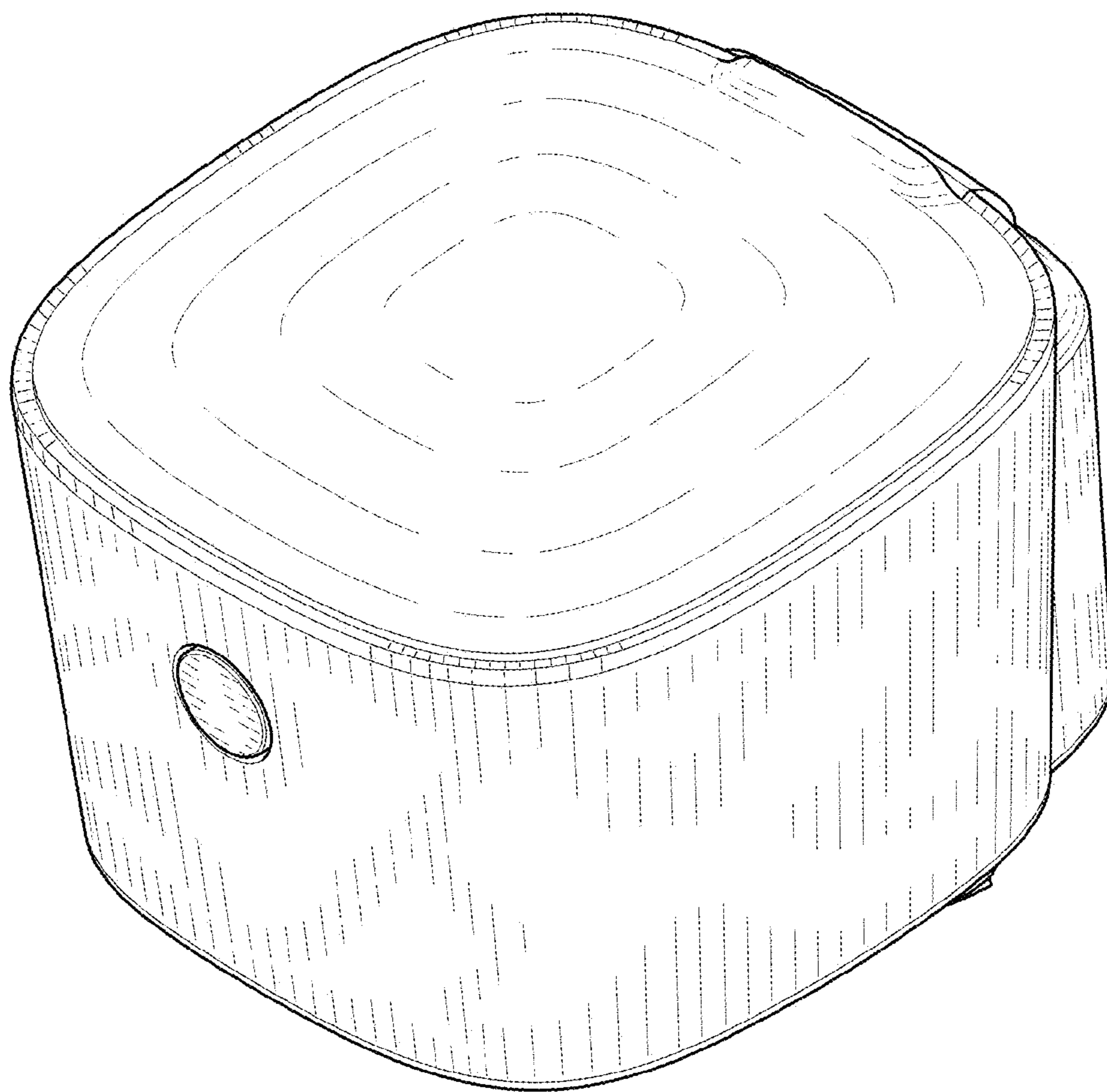


FIG. 1

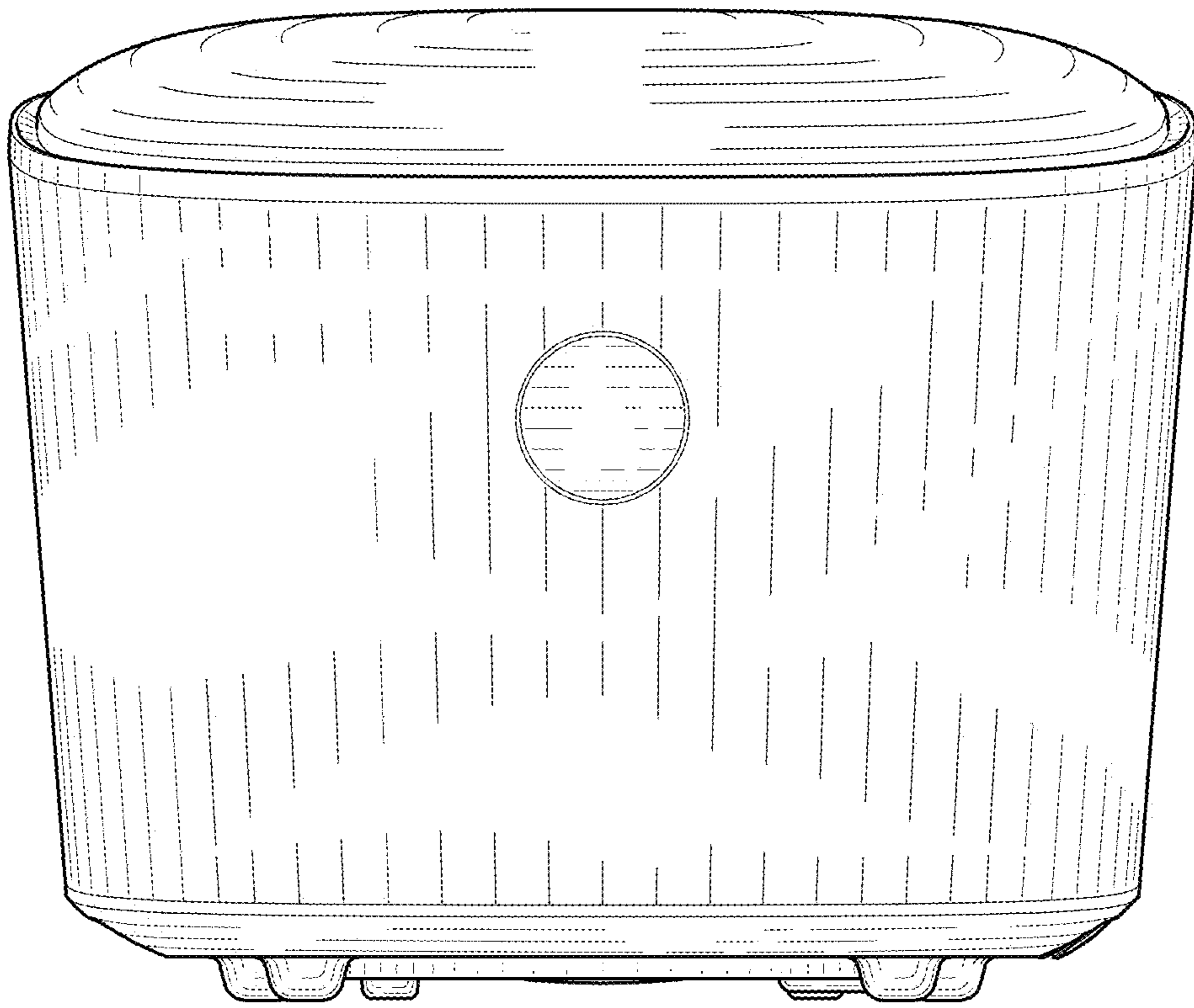


FIG. 2

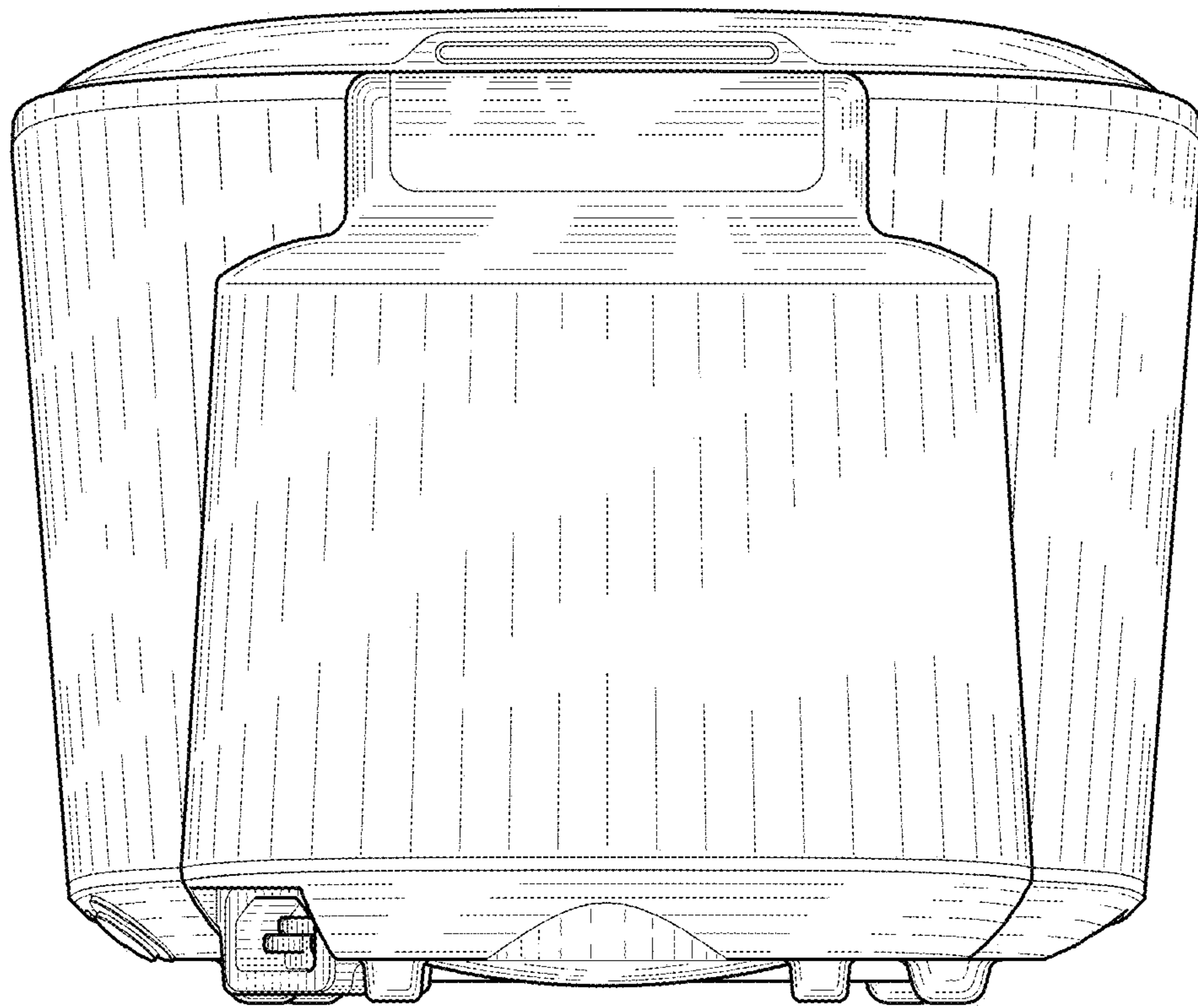


FIG. 3

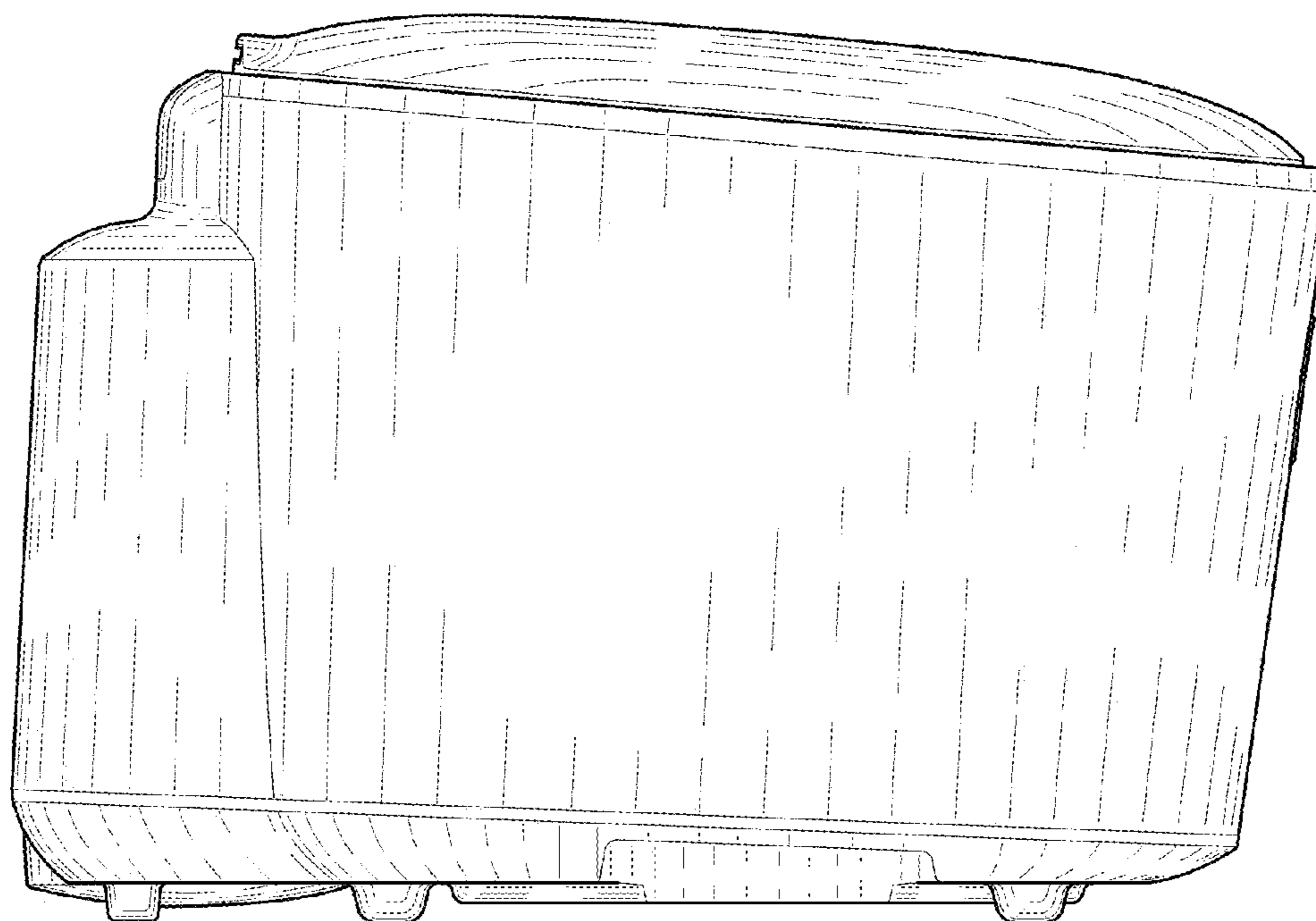


FIG. 4

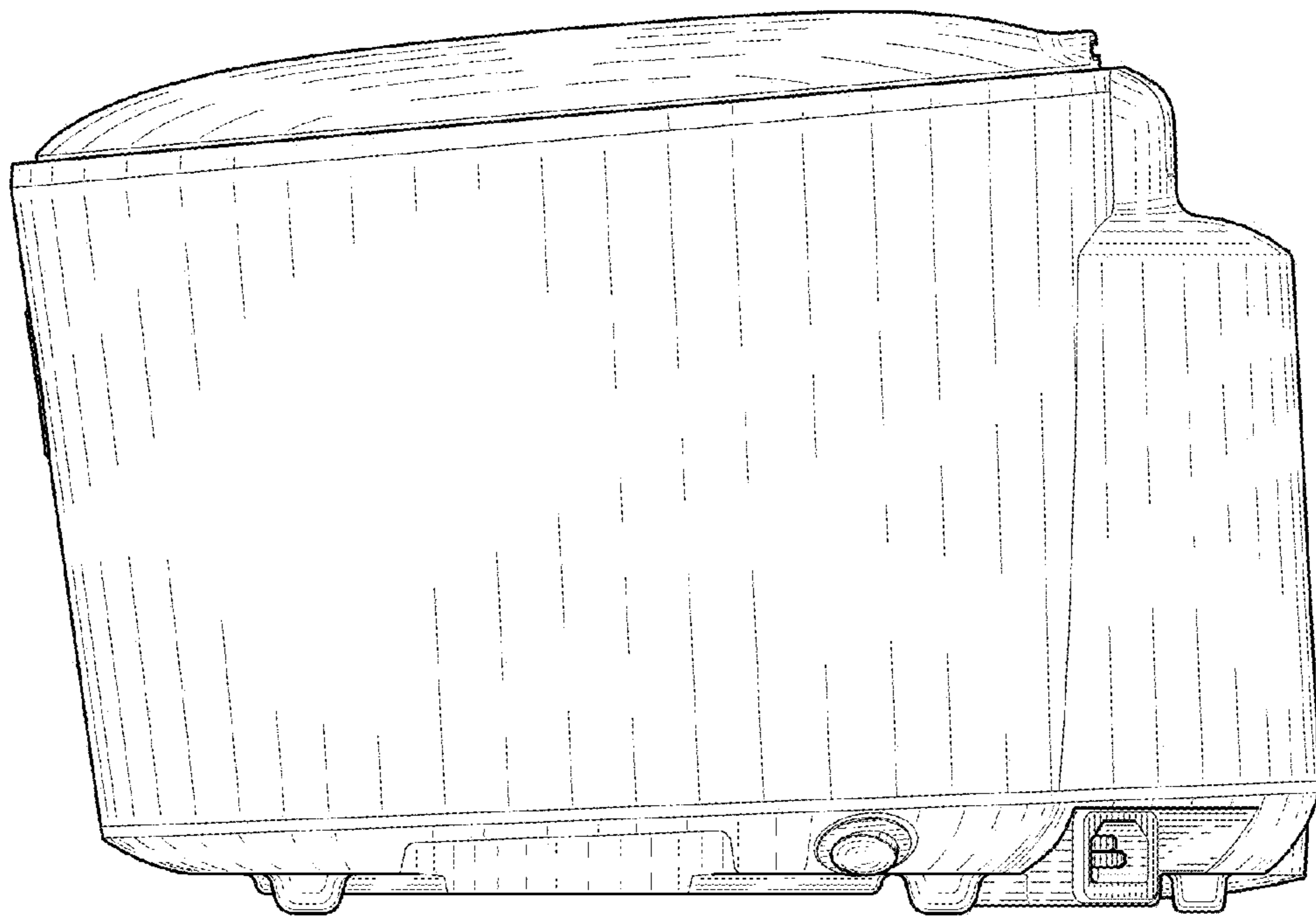


FIG. 5

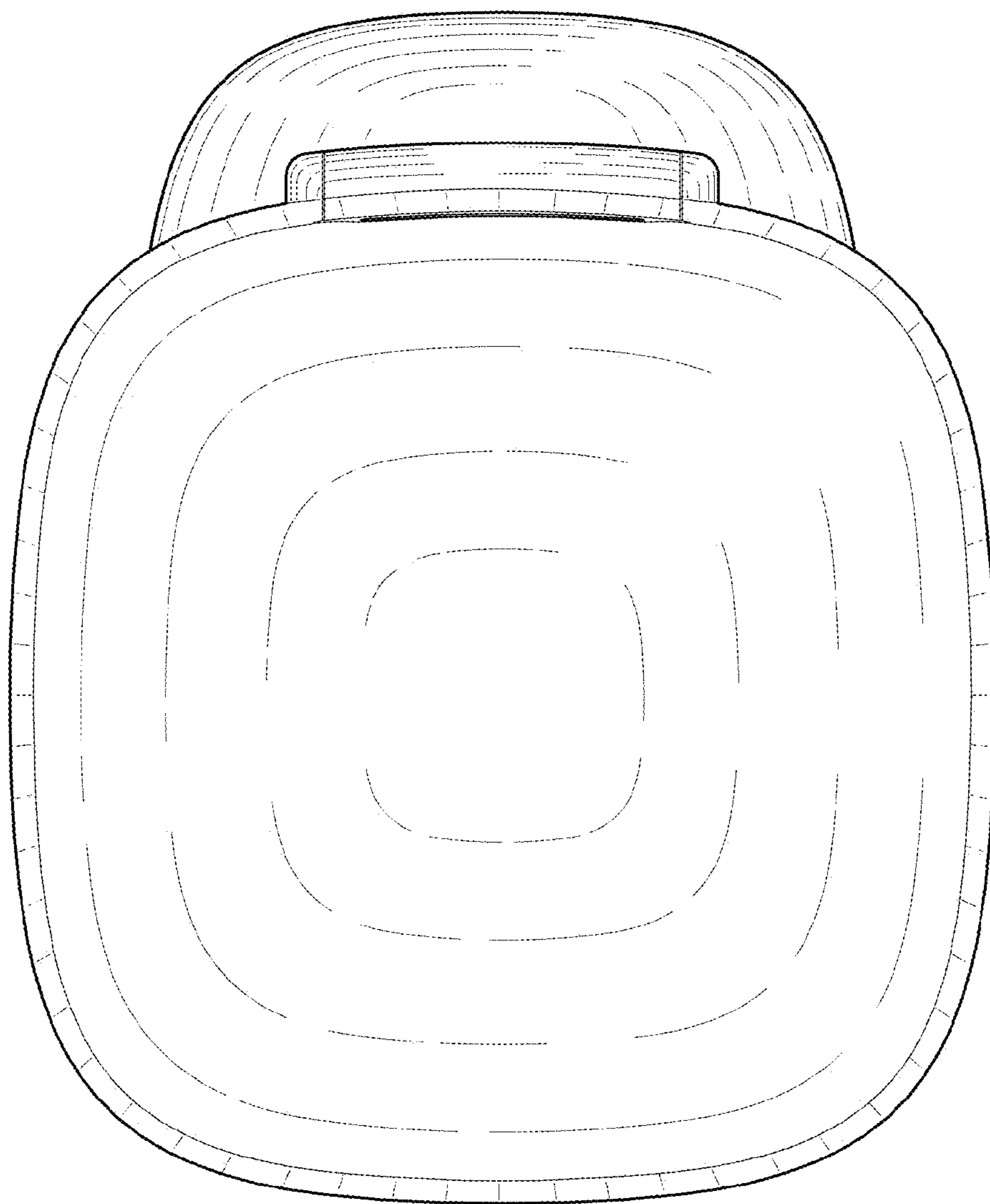


FIG. 6

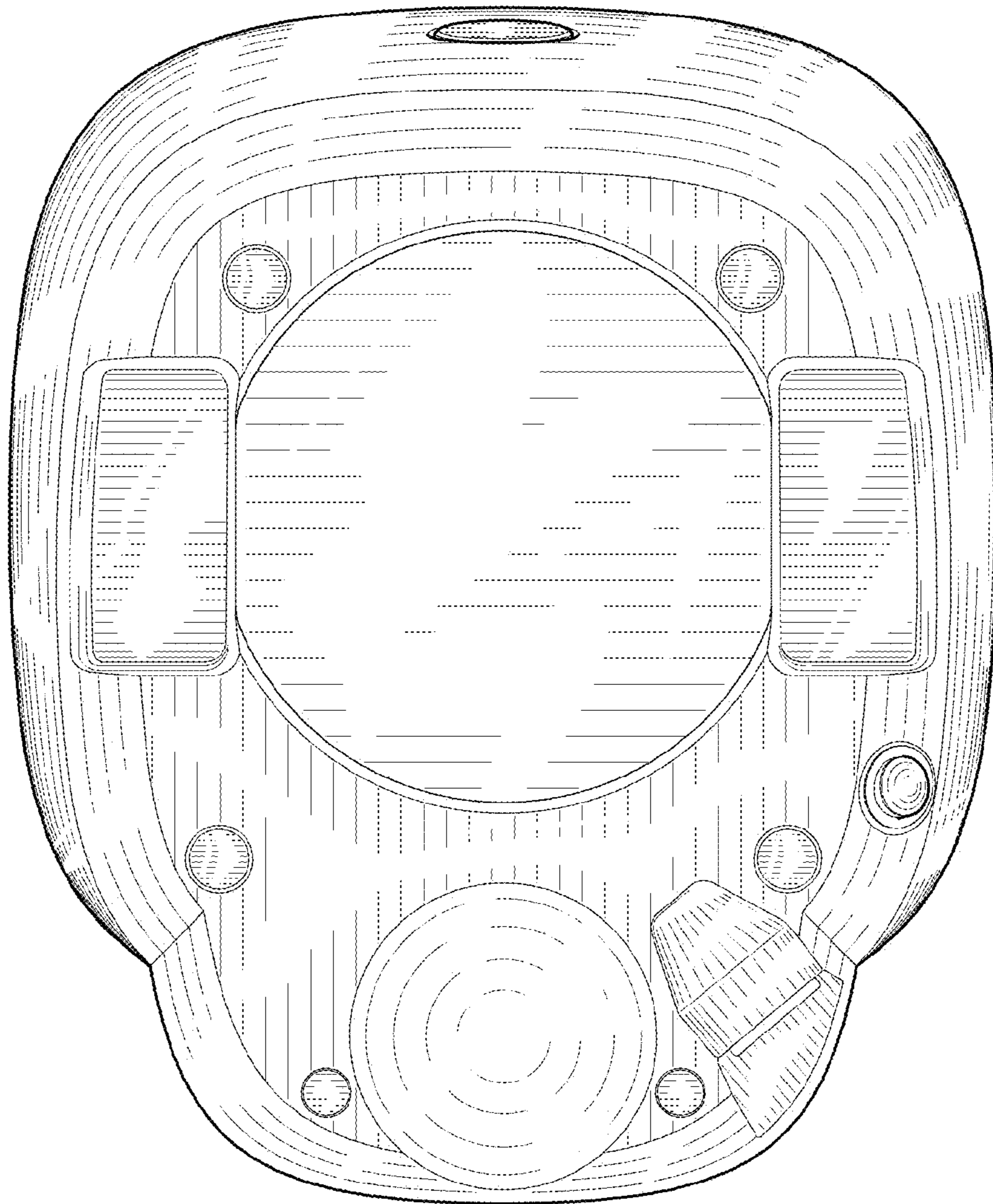


FIG. 7