



US00D750415S

(12) **United States Design Patent**  
**Marsh-Croft**

(10) **Patent No.:** **US D750,415 S**  
(45) **Date of Patent:** **\*\* Mar. 1, 2016**

(54) **WAFFLE MAKER**

(56) **References Cited**

(71) Applicant: **Breville Pty Limited**, Botany NSW  
(AU)

U.S. PATENT DOCUMENTS

(72) Inventor: **Ashley Marsh-Croft**, Rushcutters Bay  
(AU)

D309,844 S *	8/1990	Storsberg .....	D7/352
D334,108 S *	3/1993	Fisher .....	D7/323
D411,937 S *	7/1999	Siegler .....	D7/352
D467,766 S *	12/2002	Wanat .....	D7/352
D543,410 S *	5/2007	Cohen .....	D7/352
7,285,751 B2 *	10/2007	Li .....	A47J 37/0629 219/386
D575,576 S *	8/2008	Chao .....	D7/352
D580,699 S *	11/2008	Averty .....	D7/352
D586,174 S *	2/2009	Averty .....	D7/352
D602,732 S *	10/2009	Busse .....	D7/352
D706,569 S *	6/2014	Fung .....	D7/352
D707,075 S *	6/2014	Fung .....	D7/352
D731,227 S *	6/2015	Marsh-Croft .....	D7/352

(73) Assignee: **BREVILLE PTY LIMITED**,  
Alexandria, NSW (AU)

(\*\*) Term: **14 Years**

(21) Appl. No.: **29/506,324**

(22) Filed: **Oct. 15, 2014**

\* cited by examiner

(30) **Foreign Application Priority Data**

*Primary Examiner* — Ricky Pham

Apr. 16, 2014 (AU) ..... 201411886

(74) *Attorney, Agent, or Firm* — Molins & Co Pty Ltd

(51) **LOC (10) Cl.** ..... **07-02**

(57) **CLAIM**

(52) **U.S. Cl.**  
USPC ..... **D7/352; D7/362; D7/410**

The ornamental design for a waffle maker, as shown and described.

(58) **Field of Classification Search**

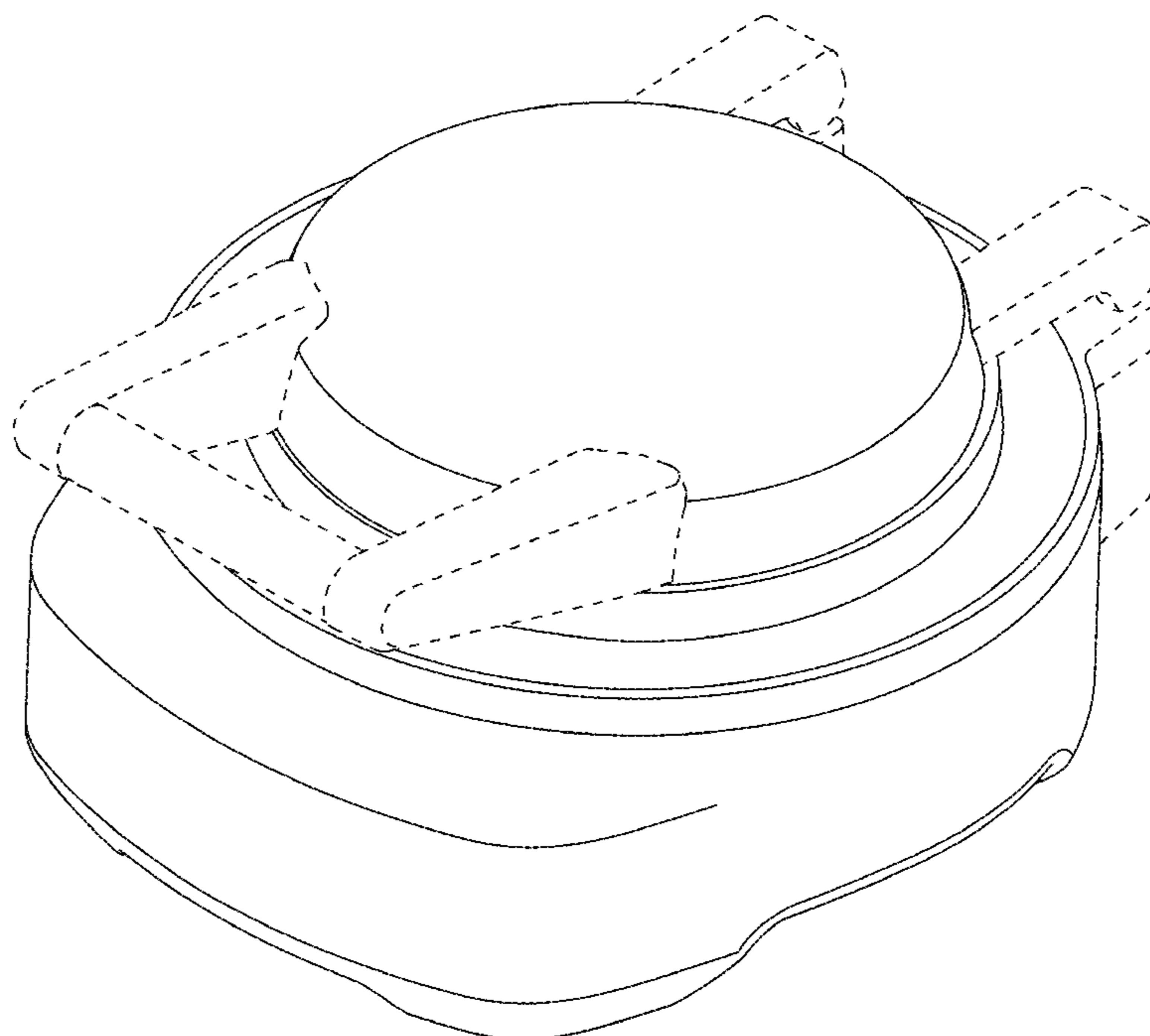
**DESCRIPTION**

USPC ..... D7/323, 328–330, 337, 347, 352–364,  
D7/367, 402, 409–411  
CPC ..... A21B 5/023; A47J 27/60; A47J 27/62;  
A47J 37/04; A47J 37/06; A47J 37/067;  
A47J 37/0605; A47J 37/0611; A47J 37/0623;  
A47J 37/0629; A47J 37/0676; A47J 2037/06;  
A47J 2037/0611; F24C 15/10; F24C 15/102;  
H05B 6/02; H05B 6/062

FIG. 1 is a front perspective view of a waffle maker showing my new design;  
FIG. 2 is a left side view thereof;  
FIG. 3 is a back view thereof;  
FIG. 4 is a front view thereof;  
FIG. 5 is a top plan view thereof; and,  
FIG. 6 is a bottom plan view thereof.  
The broken lines shown in the drawings are for illustrative purposes only and form no part of the claimed design.

See application file for complete search history.

**1 Claim, 6 Drawing Sheets**



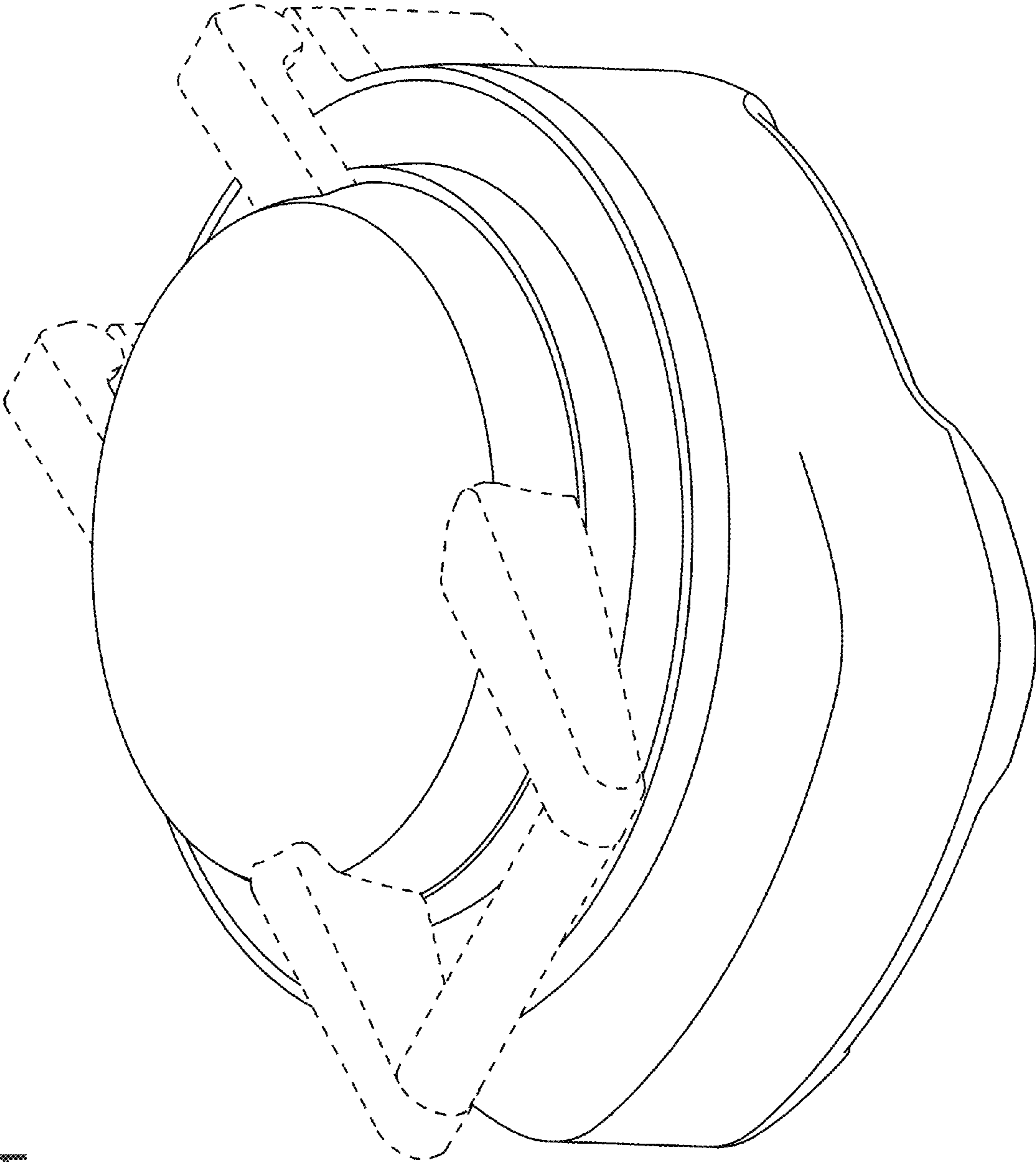


Figure 1

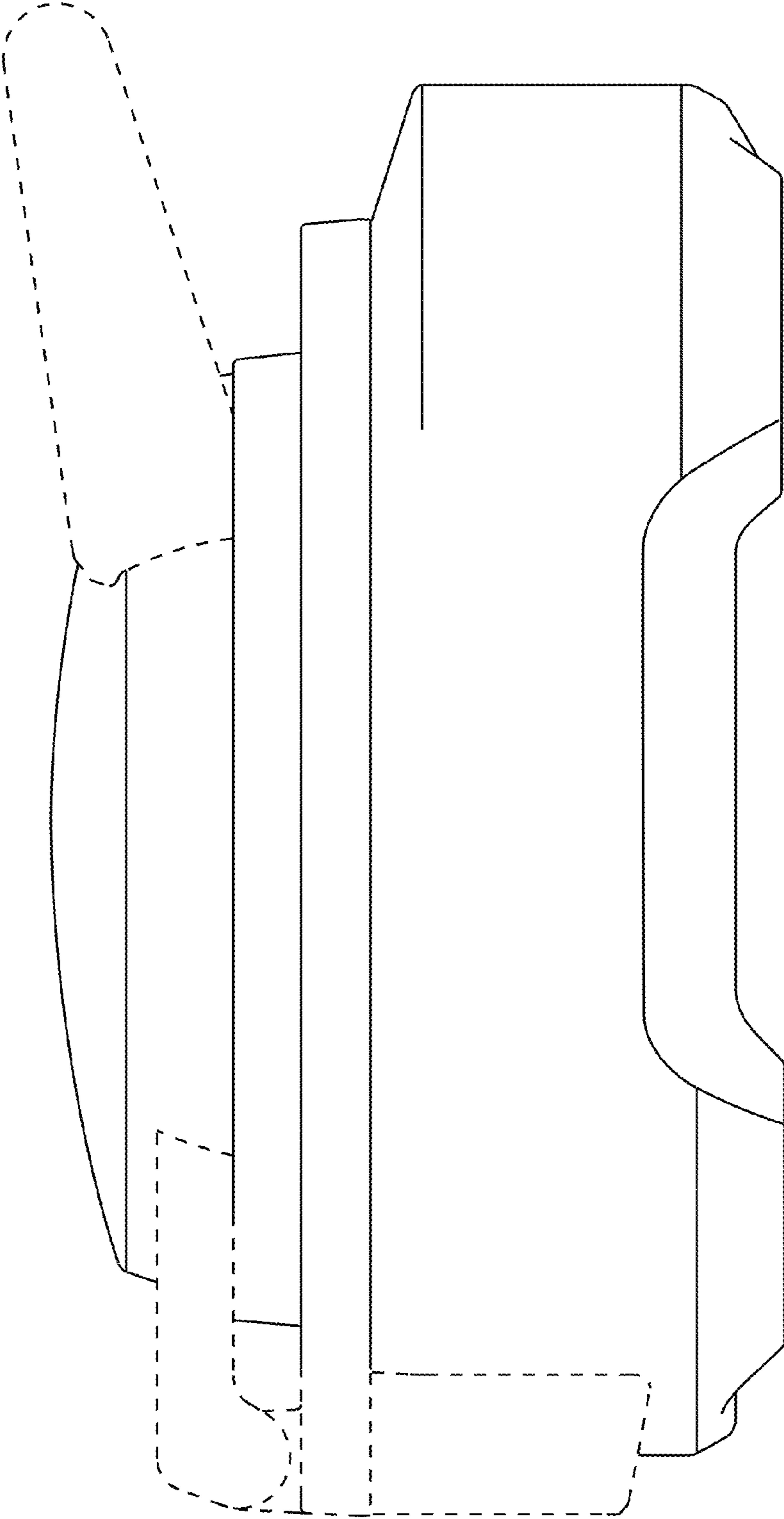


Figure 2

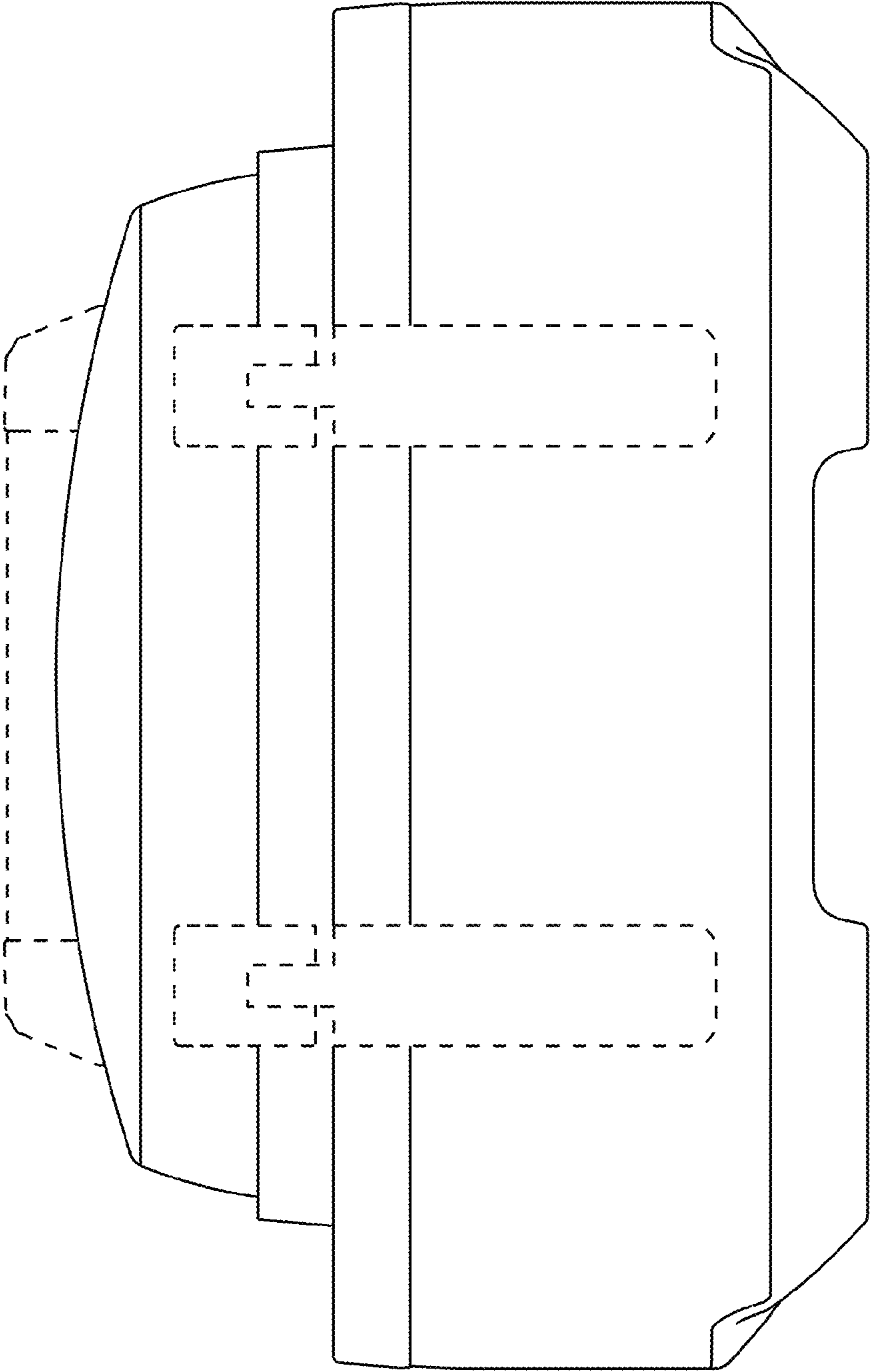


Figure 3

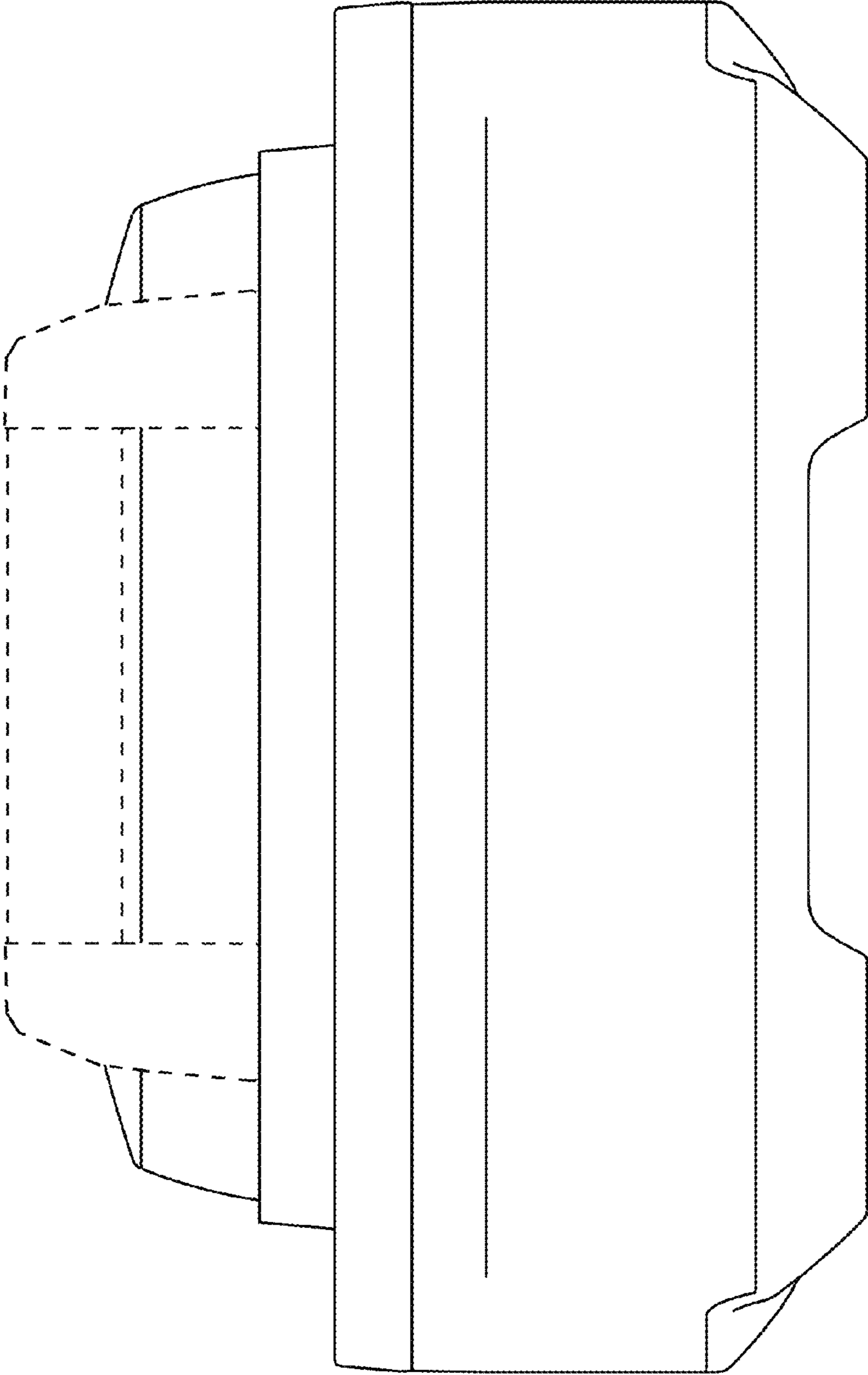


Figure 4

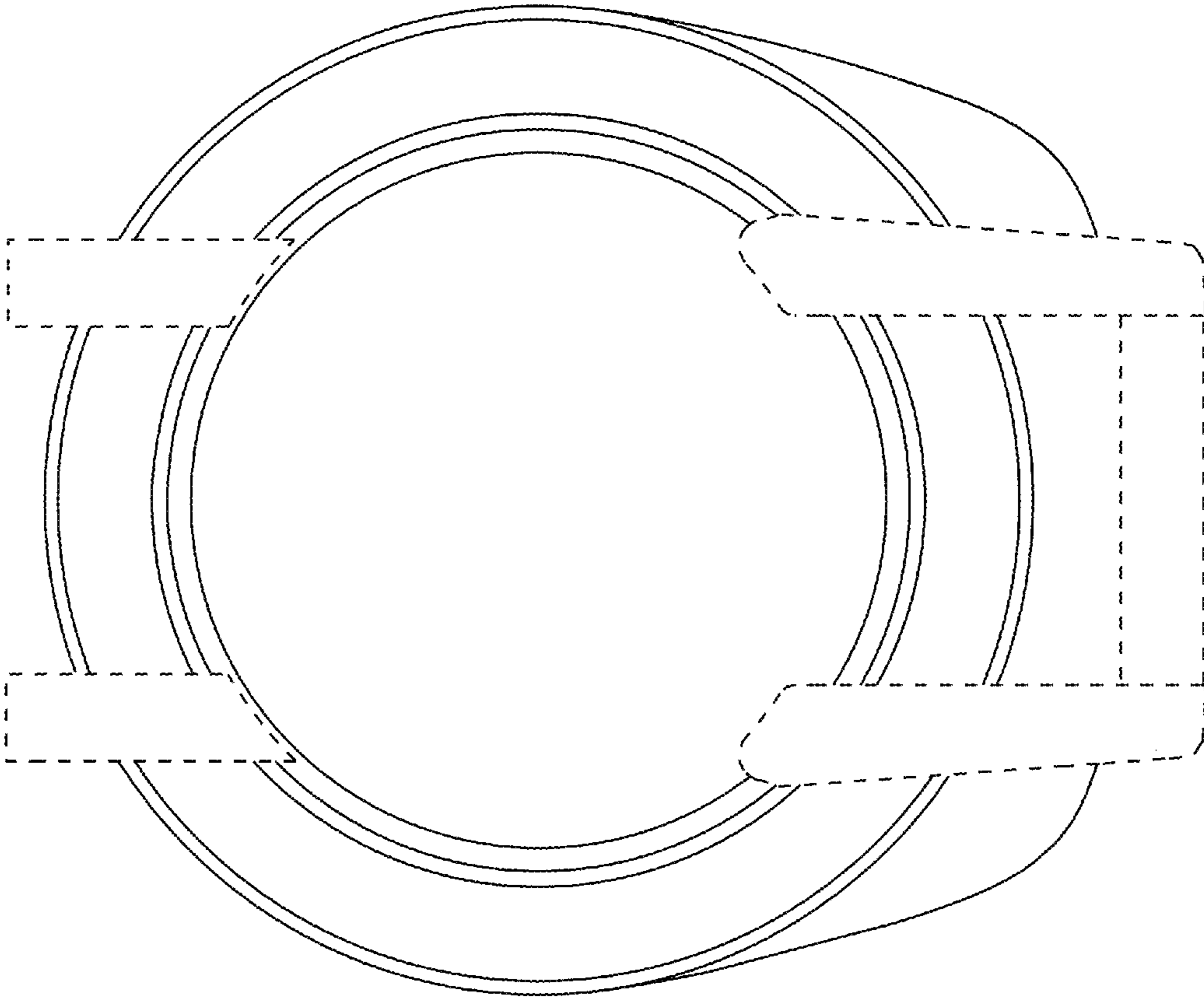


Figure 5

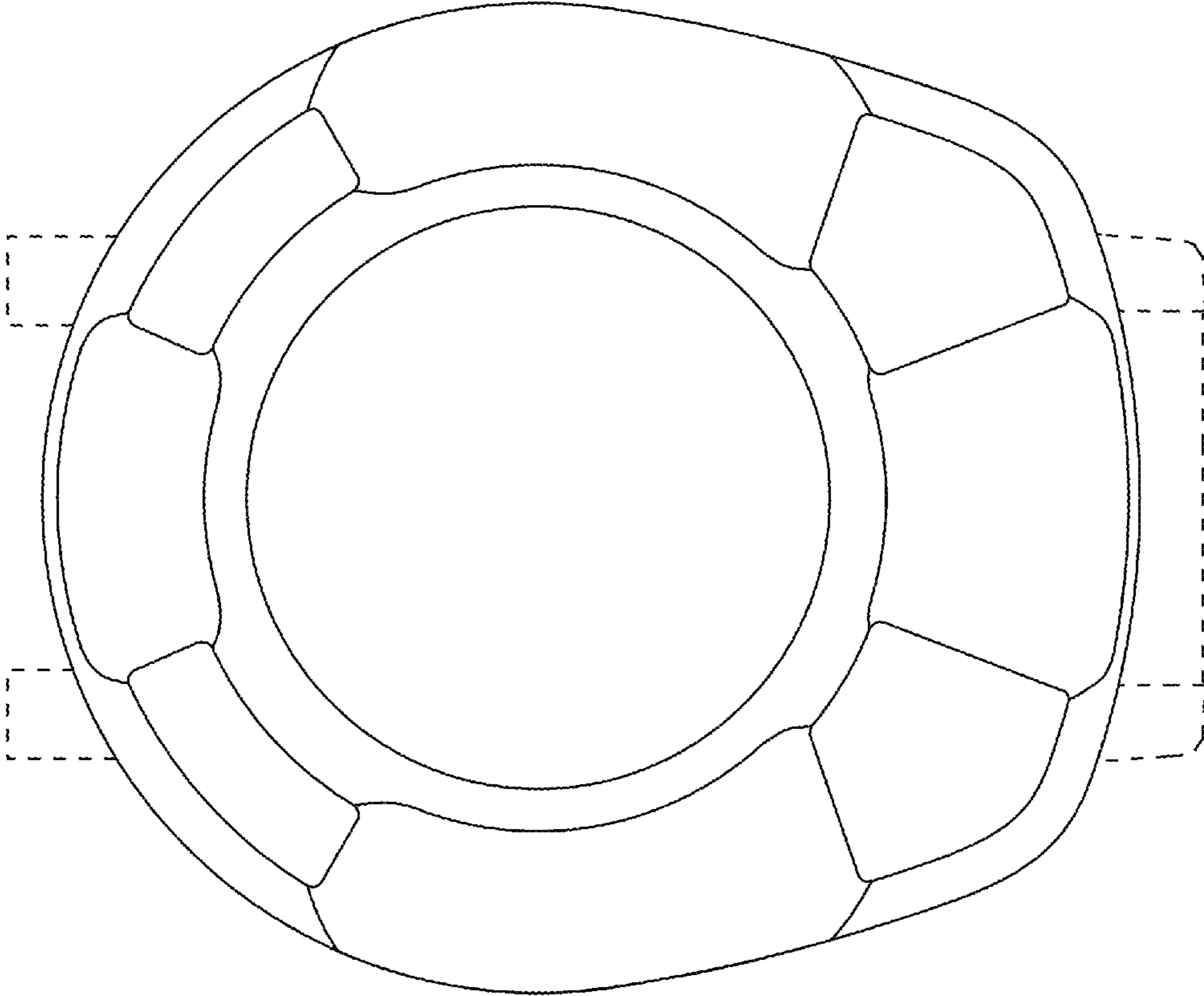


Figure 6