



US00D750414S

(12) **United States Design Patent**
Funnell, II et al.

(10) **Patent No.:** **US D750,414 S**

(45) **Date of Patent:** **** *Mar. 1, 2016**

(54) **OVEN**

(71) Applicant: **BSH Home Appliances Corporation**,
Irvine, CA (US)

(72) Inventors: **Richard W. Funnell, II**, Huntington
Beach, CA (US); **Andrew Roberson**,
Long Beach, CA (US); **Graham**
Sadtler, Huntington Beach, CA (US)

(73) Assignee: **BSH Home Appliances Corporation**,
Irvine, CA (US)

(*) Notice: This patent is subject to a terminal dis-
claimer.

(**) Term: **14 Years**

(21) Appl. No.: **29/456,408**

(22) Filed: **May 31, 2013**

(51) **LOC (10) Cl.** **07-02**

(52) **U.S. Cl.**
USPC **D7/348**

(58) **Field of Classification Search**
USPC D7/339-349
CPC F24C 7/00; F24C 7/002; F24C 7/046;
F24C 7/067; F24C 15/02; F24C 15/04
See application file for complete search history.

(56) **References Cited**

U.S. PATENT DOCUMENTS

D191,893 S *	12/1961	Faidy et al.	D7/340
D399,390 S *	10/1998	Baldwin	D7/405
D523,685 S *	6/2006	Jung et al.	D7/340
D526,527 S *	8/2006	Jung et al.	D7/348
D530,561 S *	10/2006	Kim	D7/351
D538,581 S *	3/2007	Lee et al.	D7/340
D552,920 S *	10/2007	Chung et al.	D7/348
D580,698 S *	11/2008	Kim et al.	D7/348
D603,650 S *	11/2009	Yalcin et al.	D7/349
D604,988 S *	12/2009	Yalcin et al.	D7/349
D611,755 S *	3/2010	Yalcin et al.	D7/349

D611,756 S *	3/2010	Yalcin et al.	D7/349
D626,782 S *	11/2010	Busalt et al.	D7/349
D627,593 S *	11/2010	Lee et al.	D7/340
D646,112 S *	10/2011	Park et al.	D7/348
D646,113 S *	10/2011	Park et al.	D7/348
D664,388 S *	7/2012	Park et al.	D7/348
D668,106 S *	10/2012	Borjesson	D7/405
D668,107 S *	10/2012	Borjesson	D7/405
D668,108 S *	10/2012	Borjesson	D7/405
D669,297 S *	10/2012	Tanaka et al.	D7/349
D710,646 S *	8/2014	Borjesson	D7/349
D724,889 S *	3/2015	Borjesson	D7/349

* cited by examiner

Primary Examiner — Mitchell Siegel

(74) *Attorney, Agent, or Firm* — James E. Howard; Andre
Pallapies

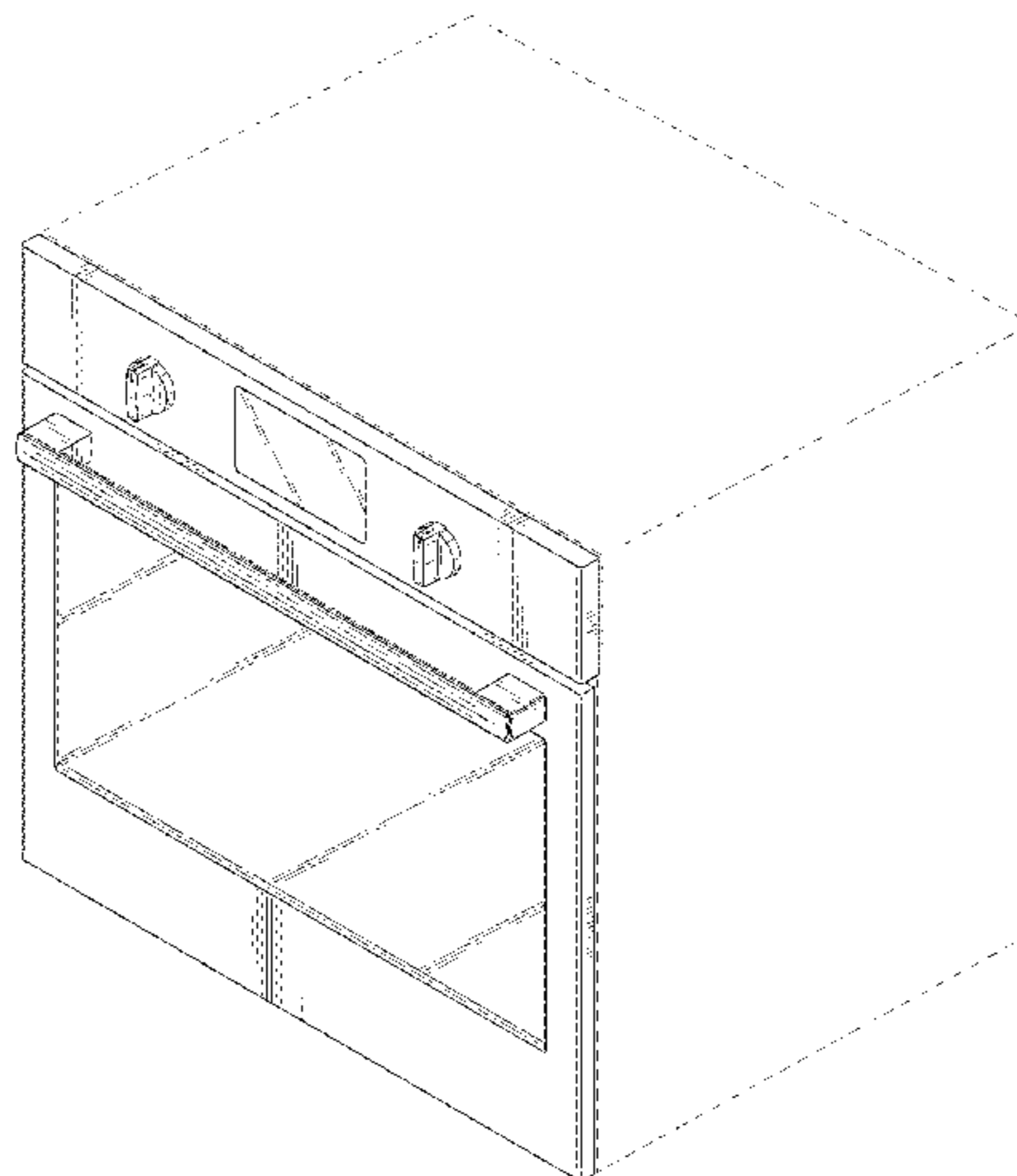
(57) **CLAIM**

The ornamental design for an oven, as shown and described.

DESCRIPTION

FIG. 1 is a front perspective view of an oven showing an embodiment of our new ornamental design;
 FIG. 2 a front view thereof;
 FIG. 3 is a top view thereof;
 FIG. 4 is a bottom view thereof;
 FIG. 5 is a right side view thereof, with the left side view thereof being a mirror image thereof;
 FIG. 6 is a front perspective view of an oven showing an embodiment of our new ornamental design;
 FIG. 7 a front view thereof;
 FIG. 8 is a top view thereof;
 FIG. 9 is a bottom view thereof; and,
 FIG. 10 is a right side view thereof, with the left side view thereof being a mirror image thereof.
 The broken lines represent environment and form no part of the claimed design.
 One or more views (e.g., rear view) of the oven and/or component thereof may not be shown, which is an indication that the design in that view is not ornamented and/or is simply not claimed.

1 Claim, 10 Drawing Sheets



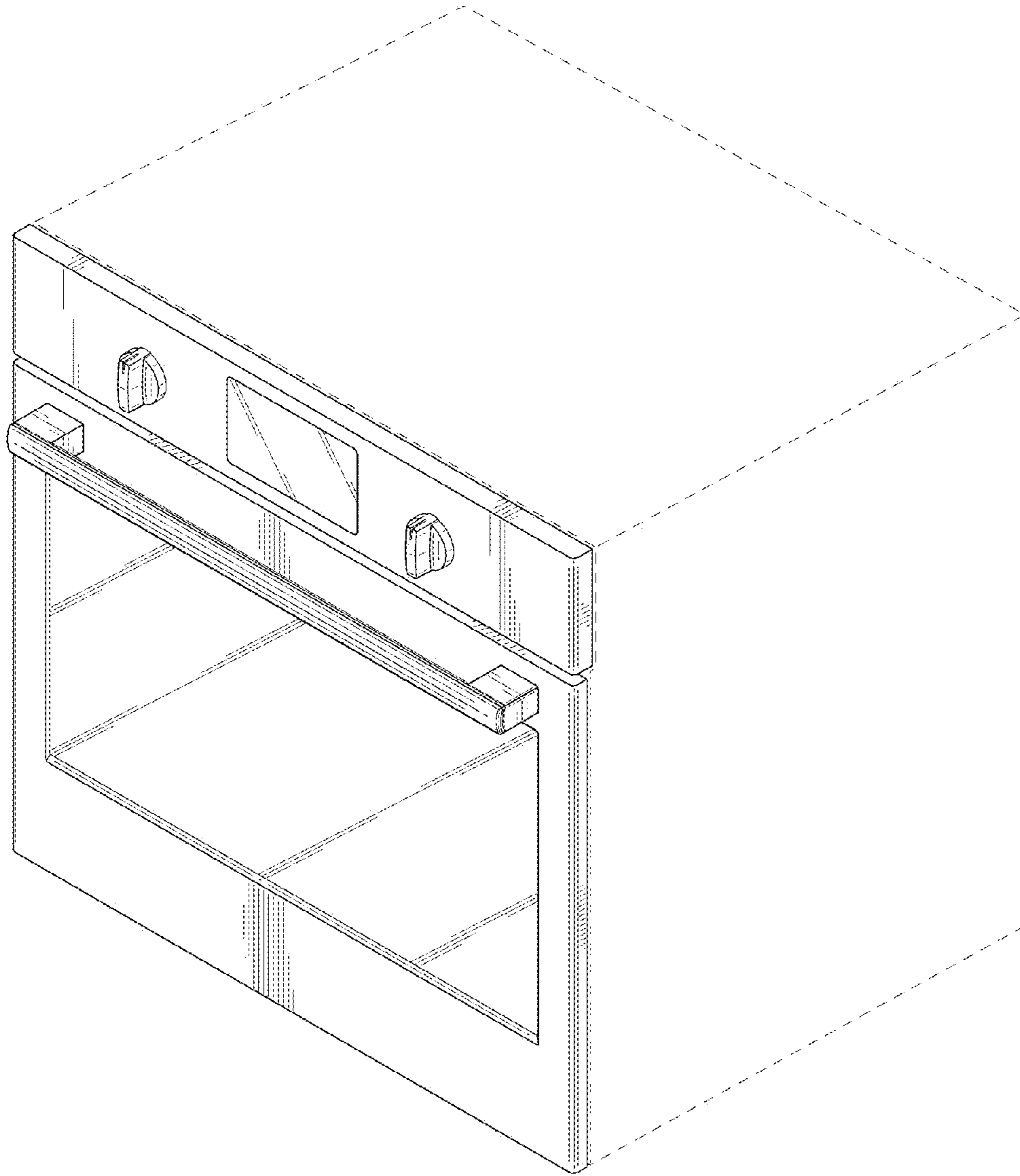


FIG. 1

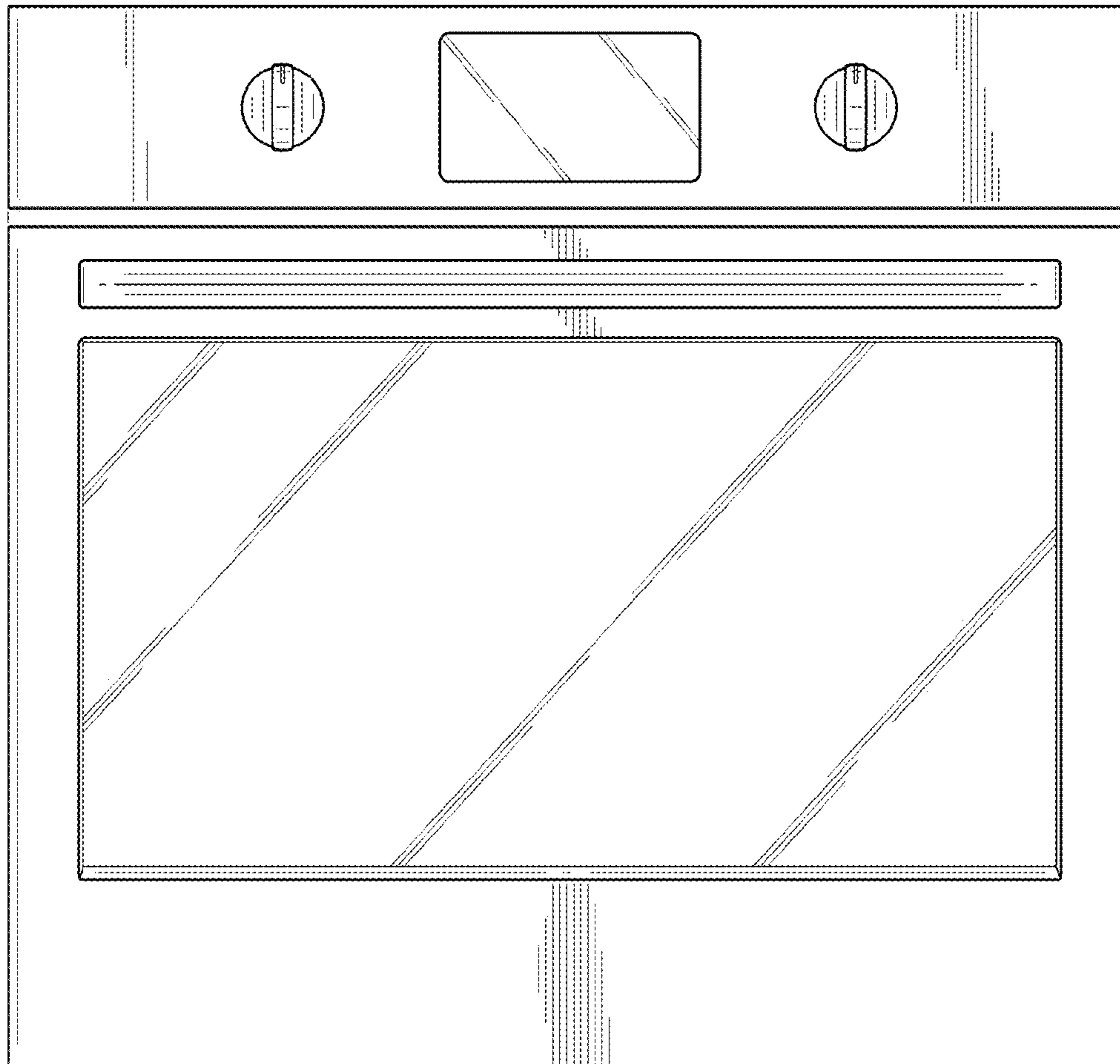


FIG. 2

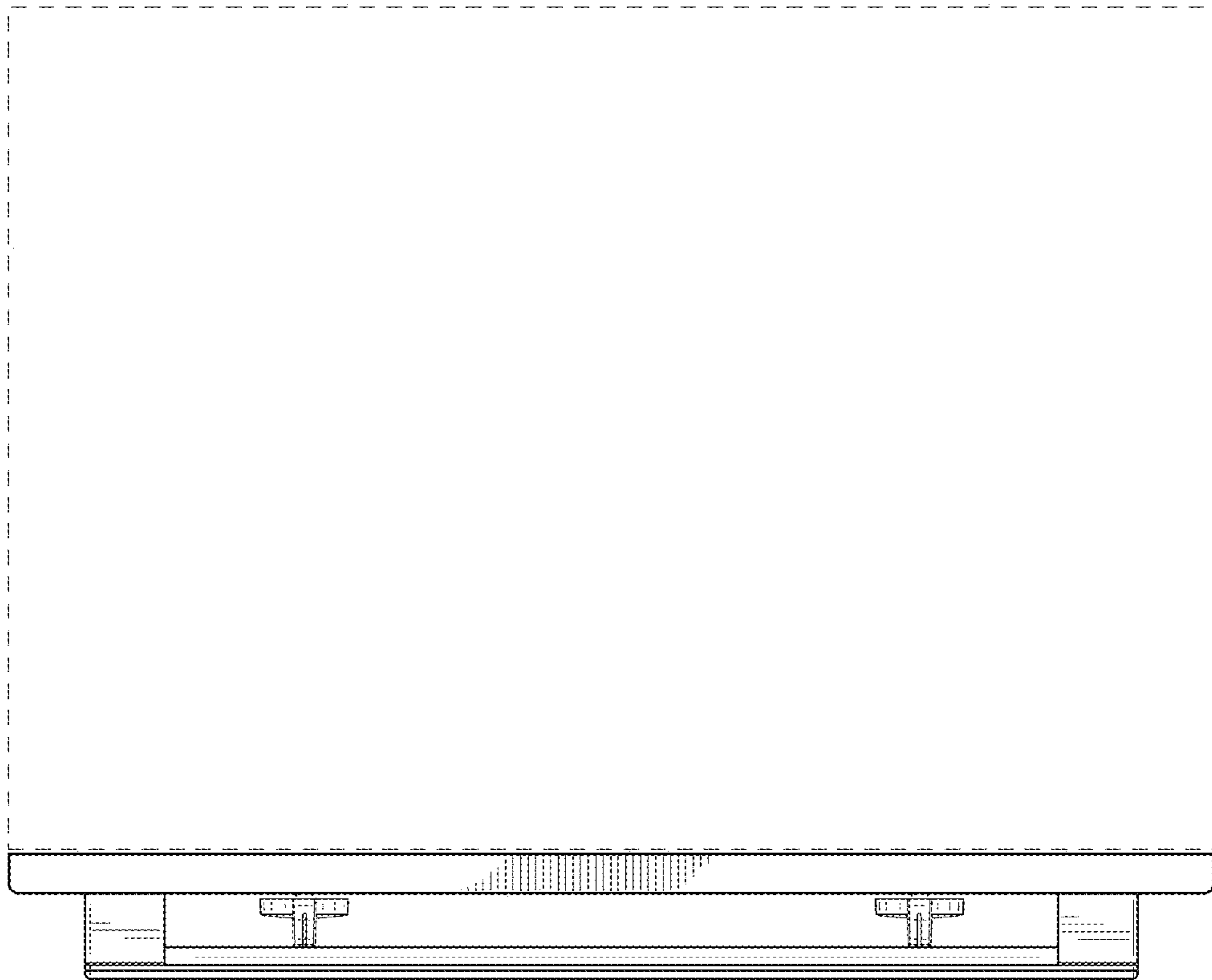


Fig. 3

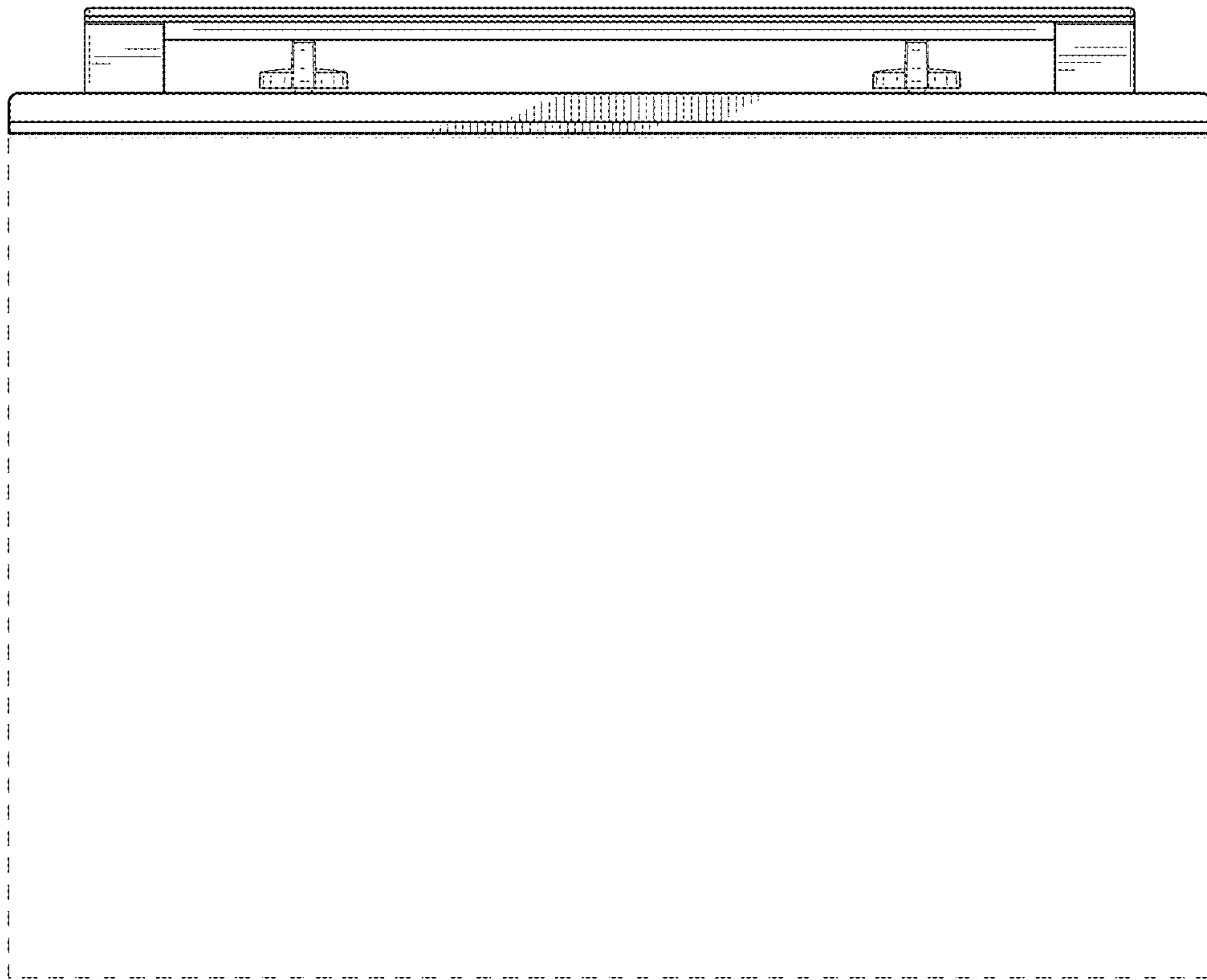


Fig. 4

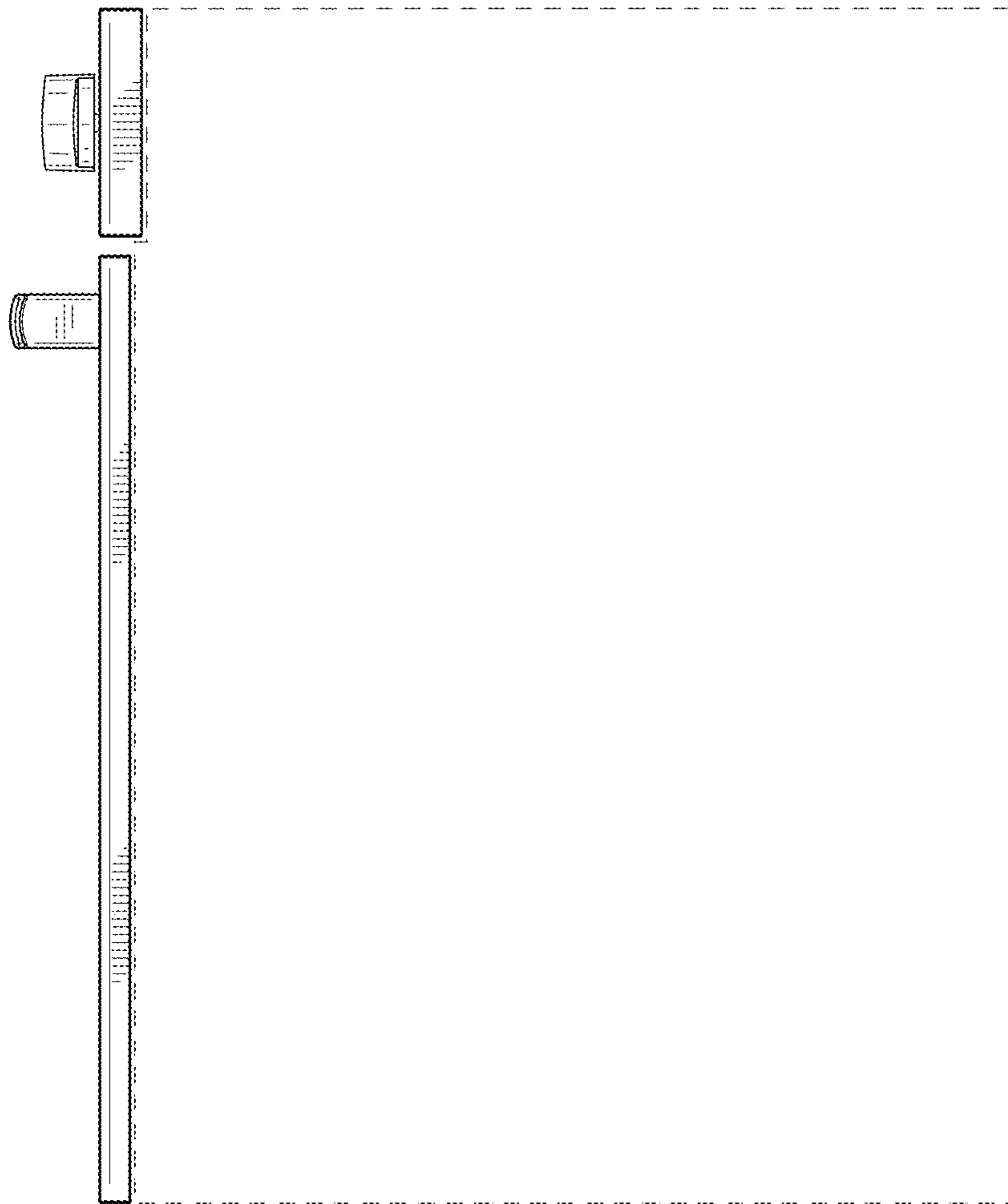


FIG. 5

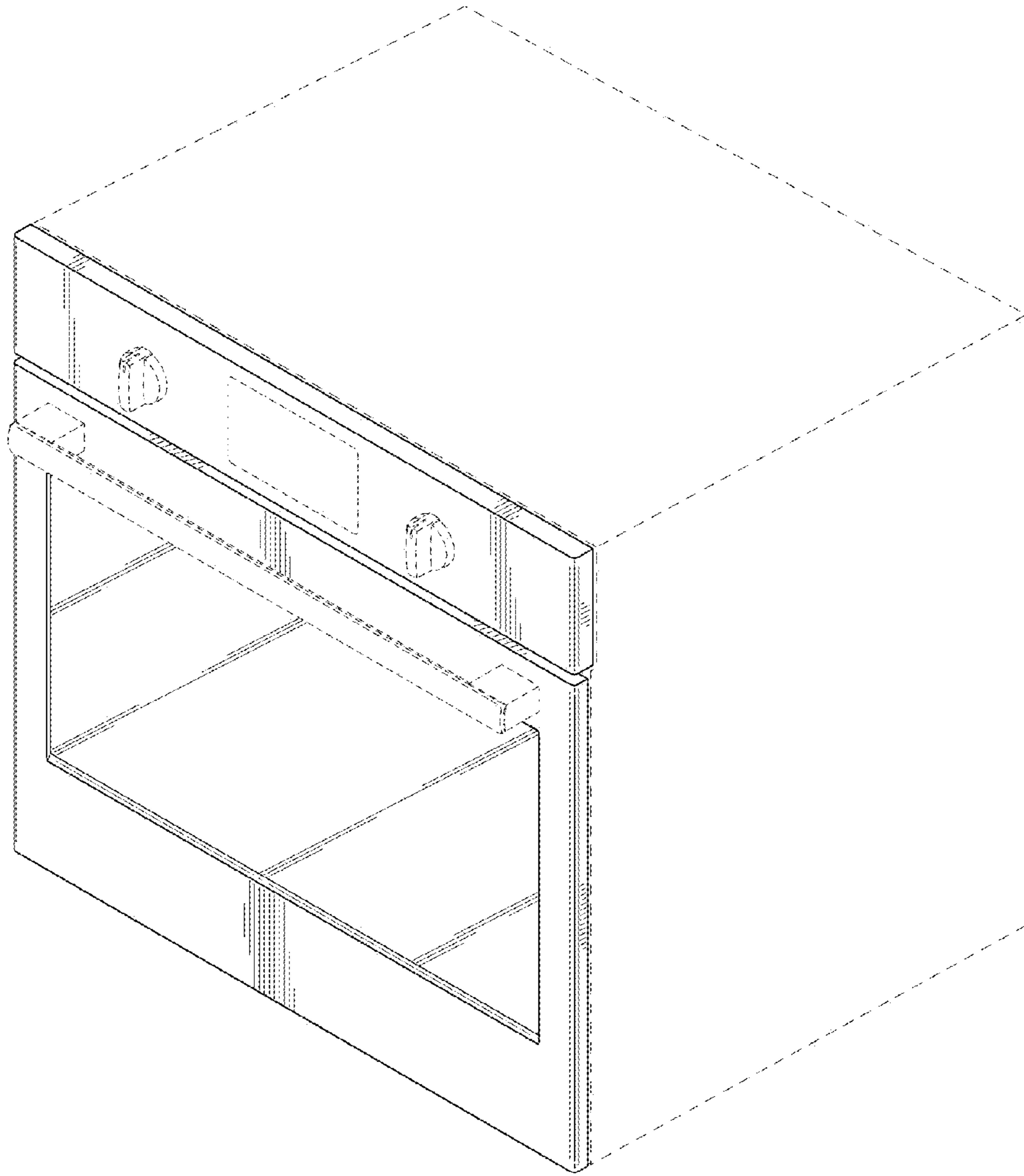


FIG. 6

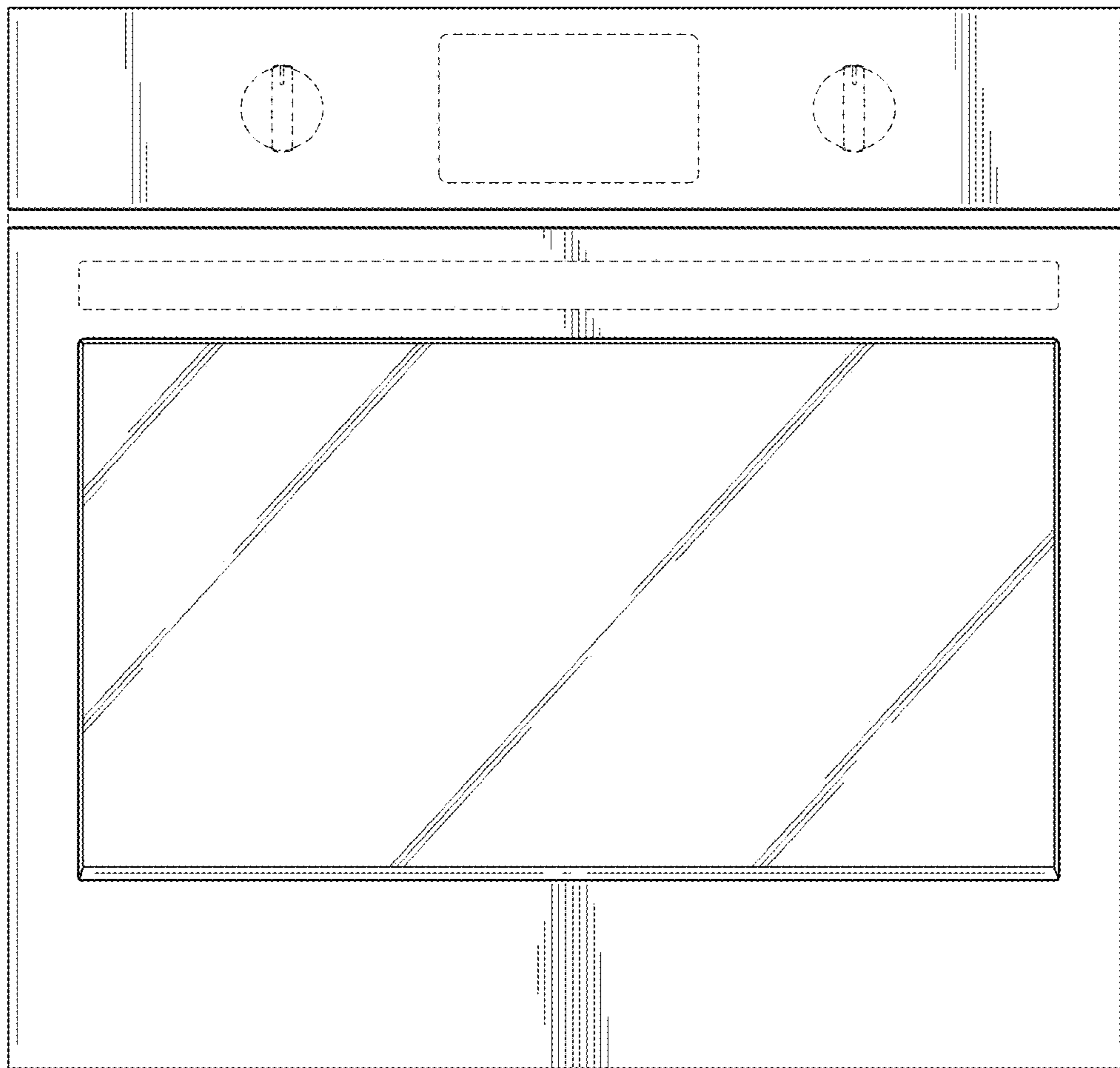


FIG. 7

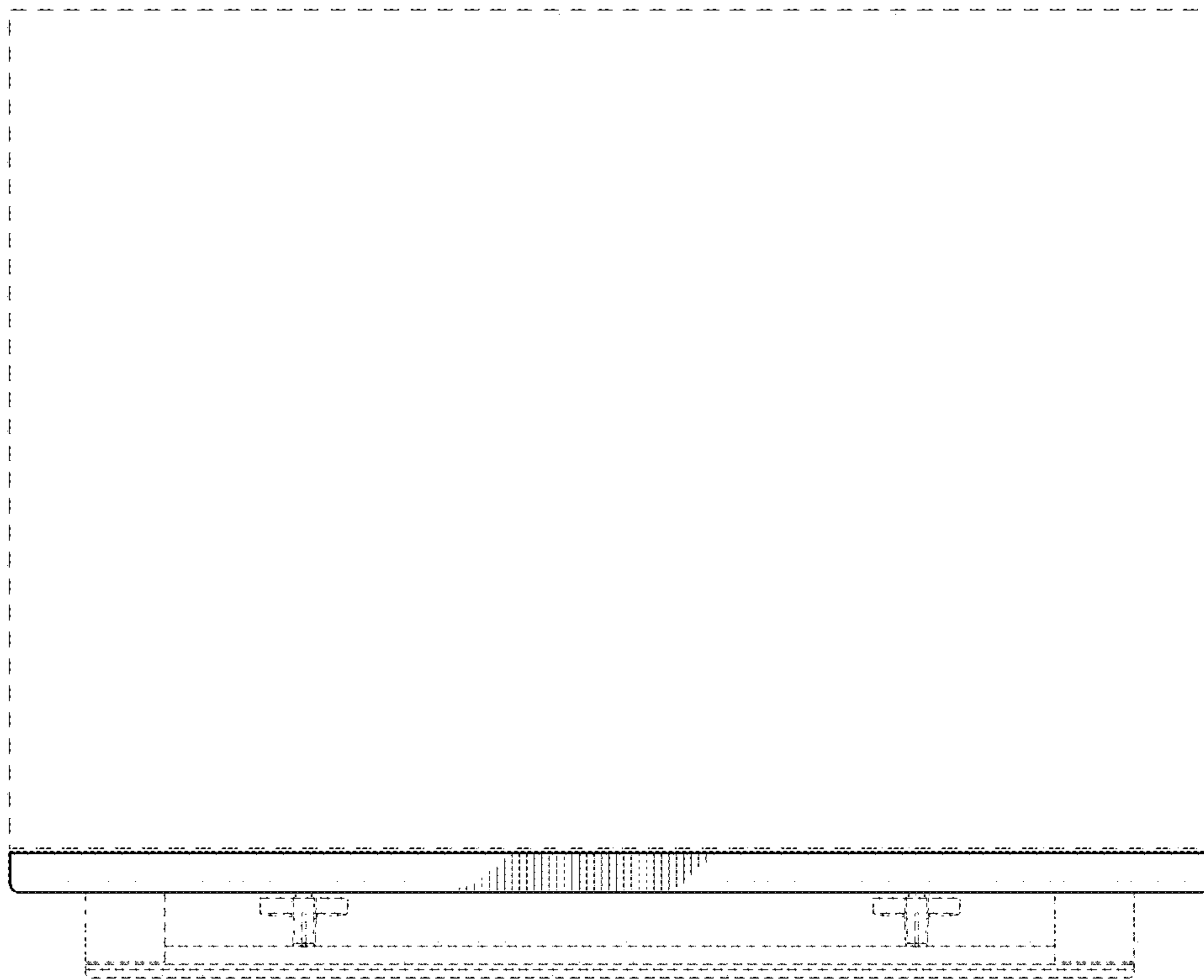


Fig. 8

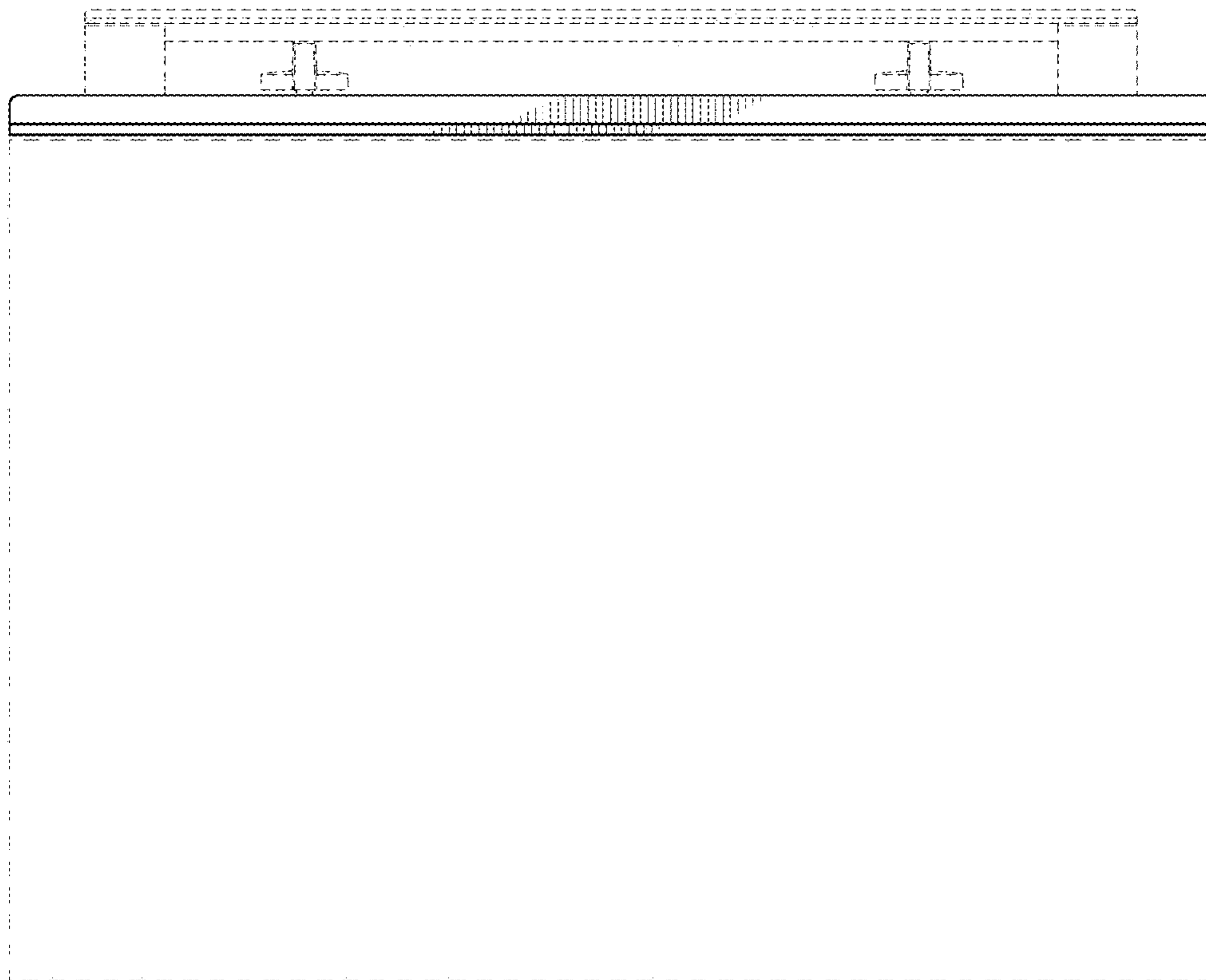


Fig. 9

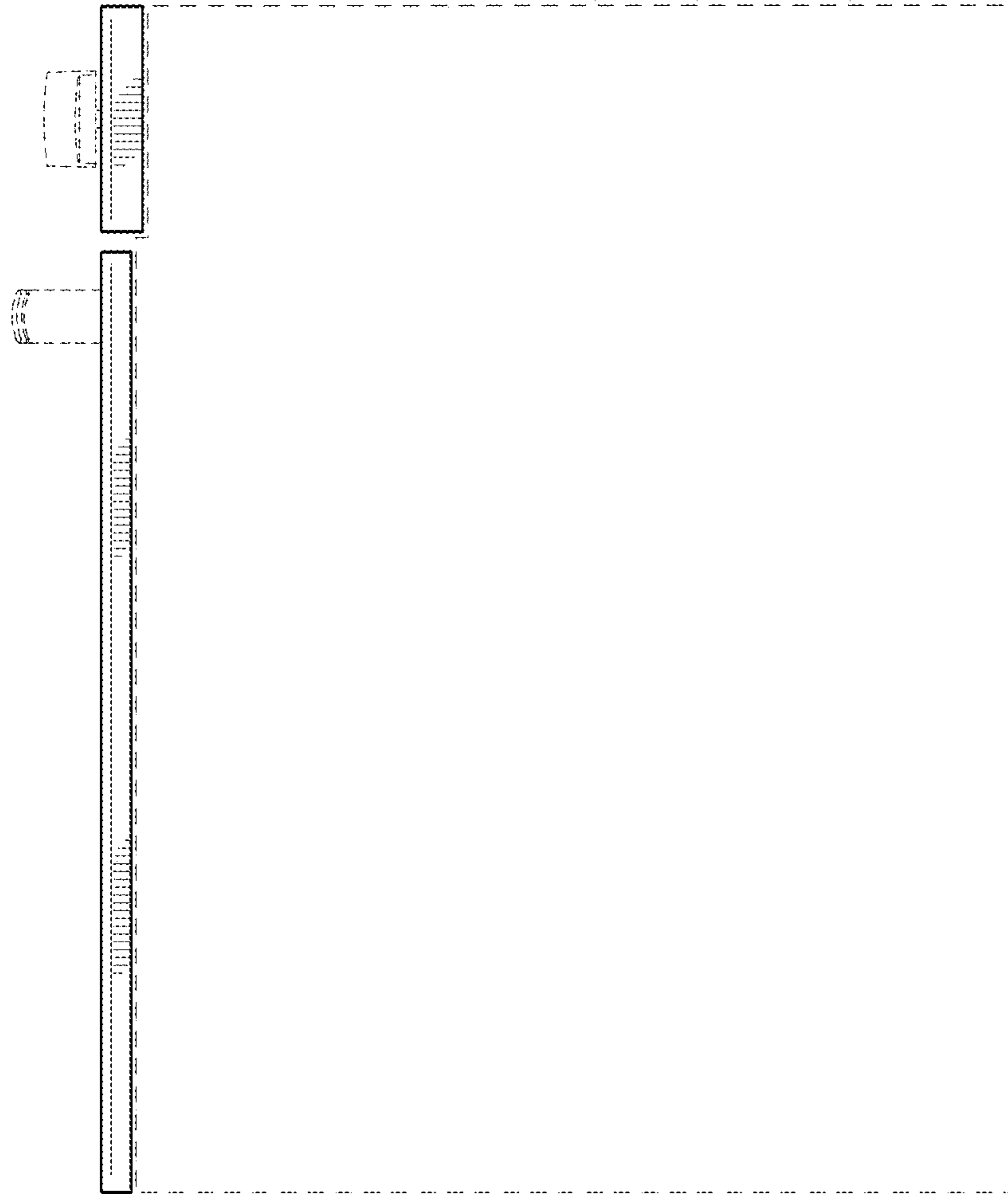


FIG. 10