



US00D750413S

(12) **United States Design Patent**  
**Funnell, II et al.**

(10) **Patent No.:** **US D750,413 S**  
(45) **Date of Patent:** **\*\* \*Mar. 1, 2016**

(54) **ELECTRIC OVEN**

(56) **References Cited**

(71) Applicant: **BSH Home Appliances Corporation**,  
Irvine, CA (US)

(72) Inventors: **Richard W. Funnell, II**, Huntington  
Beach, CA (US); **Andrew Roberson**,  
Long Beach, CA (US); **Graham**  
**Sadtler**, Huntington Beach, CA (US)

(73) Assignee: **BSH Home Appliances Corporation**,  
Irvine, CA (US)

(\*) Notice: This patent is subject to a terminal dis-  
claimer.

(\*\*) Term: **14 Years**

(21) Appl. No.: **29/456,405**

(22) Filed: **May 31, 2013**

(51) **LOC (10) Cl.** ..... **07-02**

(52) **U.S. Cl.**  
USPC ..... **D7/348**

(58) **Field of Classification Search**  
USPC ..... D7/339-349  
CPC ..... F24C 3/00-3/14; F24C 7/00-7/105;  
F24C 14/00-14/025; F24C 15/00-15/18  
See application file for complete search history.

U.S. PATENT DOCUMENTS

D191,893 S *	12/1961	Faidy et al. ....	D7/340
D469,657 S *	2/2003	Becker et al. ....	D7/405
D526,527 S *	8/2006	Jung et al. ....	D7/348
D580,698 S *	11/2008	Kim et al. ....	D7/348
D604,987 S *	12/2009	Jung et al. ....	D7/348
D646,112 S *	10/2011	Park et al. ....	D7/348
D646,113 S *	10/2011	Park et al. ....	D7/348
D664,388 S *	7/2012	Park et al. ....	D7/348

\* cited by examiner

*Primary Examiner* — Mitchell Siegel

(74) *Attorney, Agent, or Firm* — James E. Howard; Andre  
Pallapies

(57) **CLAIM**

The ornamental design for an electric oven, as shown and  
described.

**DESCRIPTION**

FIG. 1 is a front perspective view of an electric range showing  
an embodiment of our new ornamental design;

FIG. 2 a front view thereof;

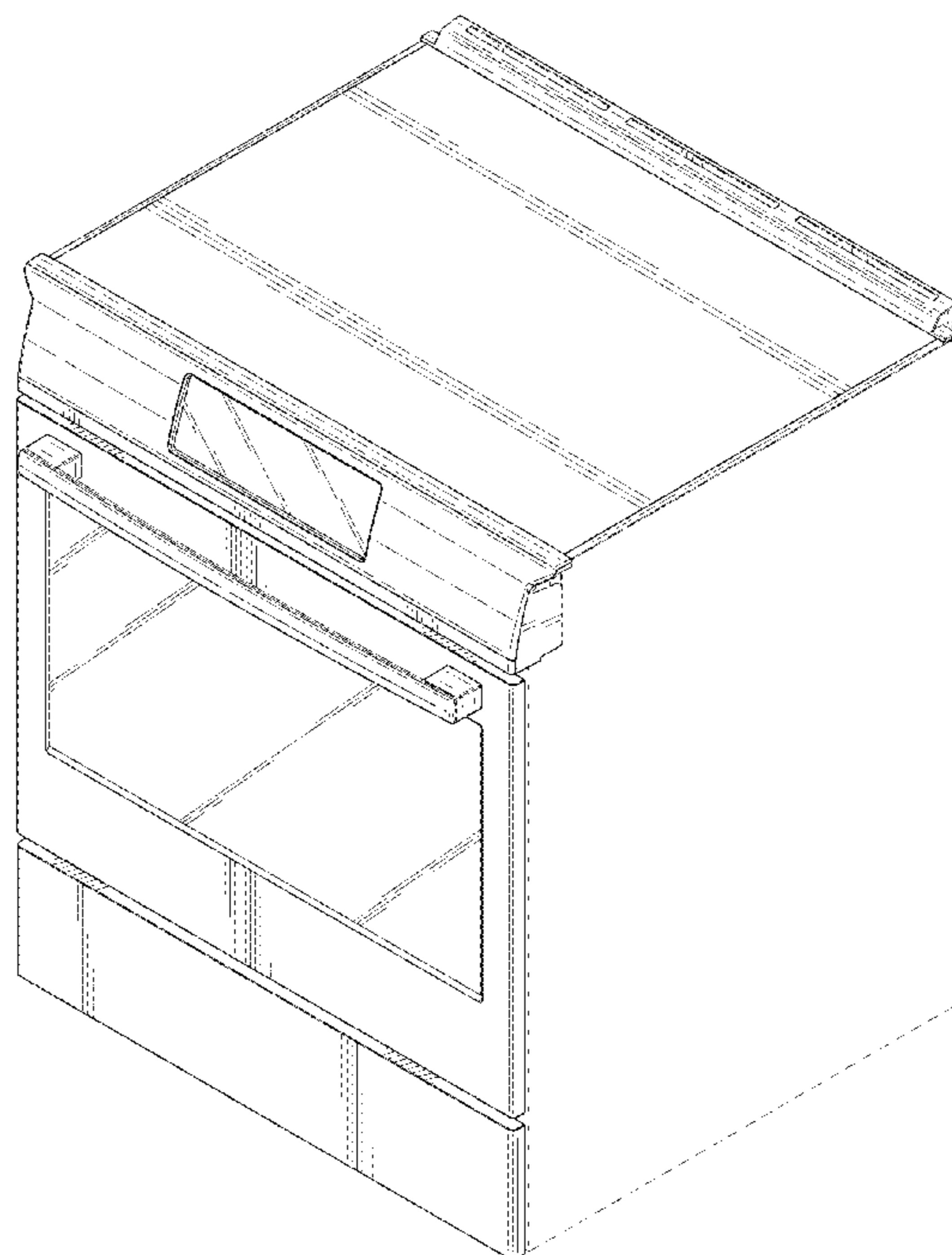
FIG. 3 is a top view thereof; and,

FIG. 4 is a right side view thereof, with the left side view  
thereof being a mirror image thereof.

The broken lines represent environment and form no part of  
the claimed design.

One or more views (e.g., rear view) of the electric range  
and/or component thereof may not be shown, which is an  
indication that the design in that view is not ornamented  
and/or is simply not claimed.

**1 Claim, 4 Drawing Sheets**



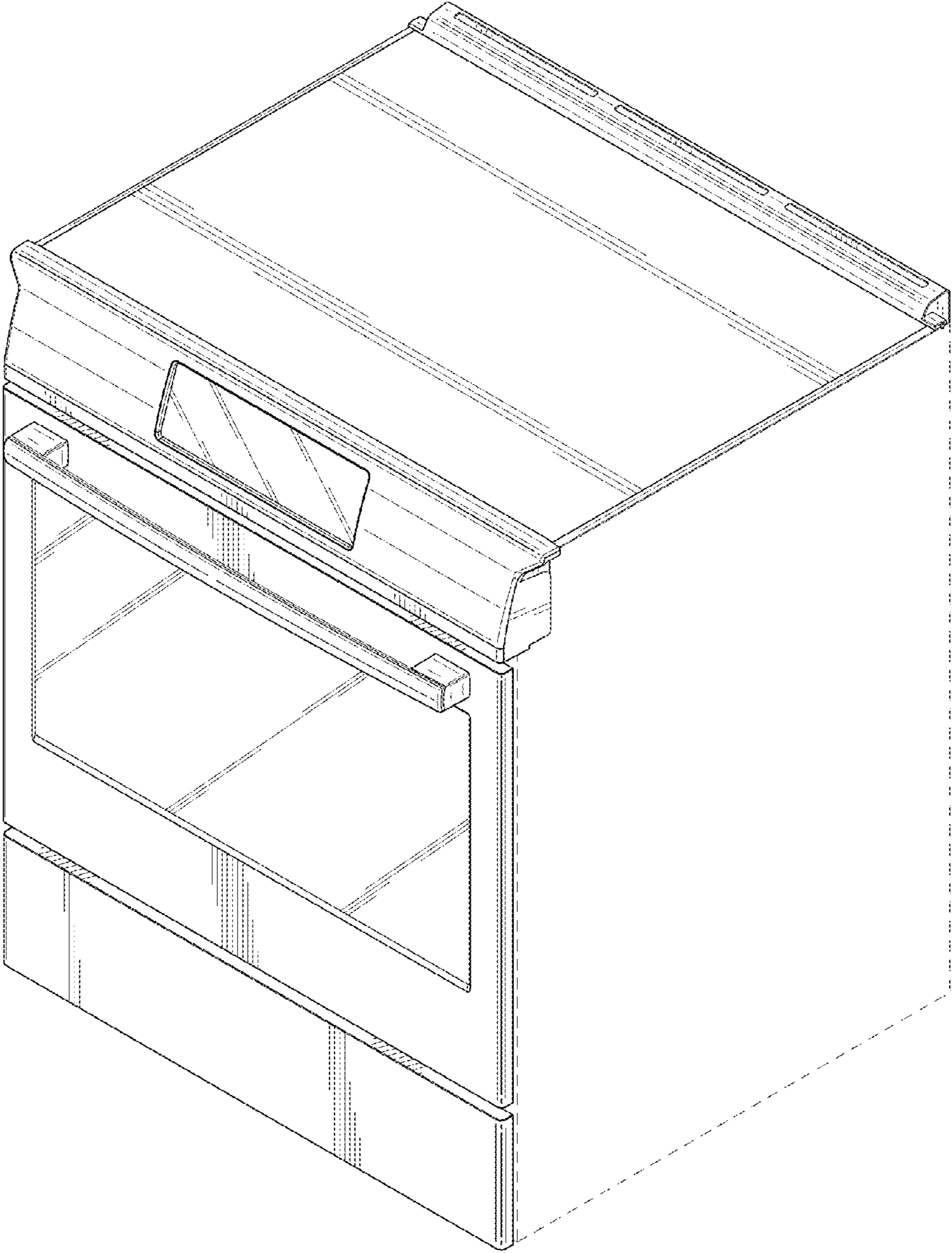


FIG. 1

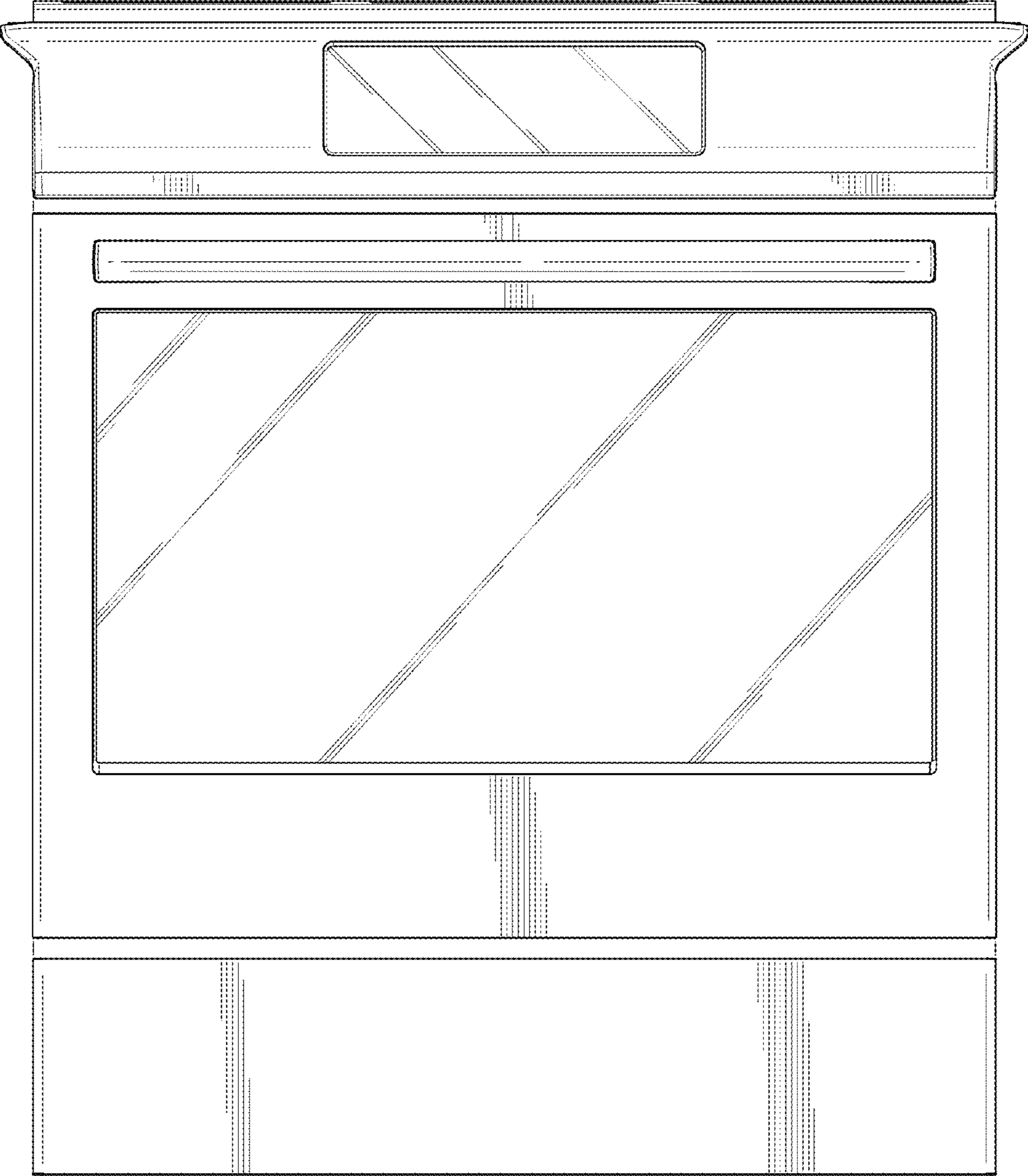


FIG. 2

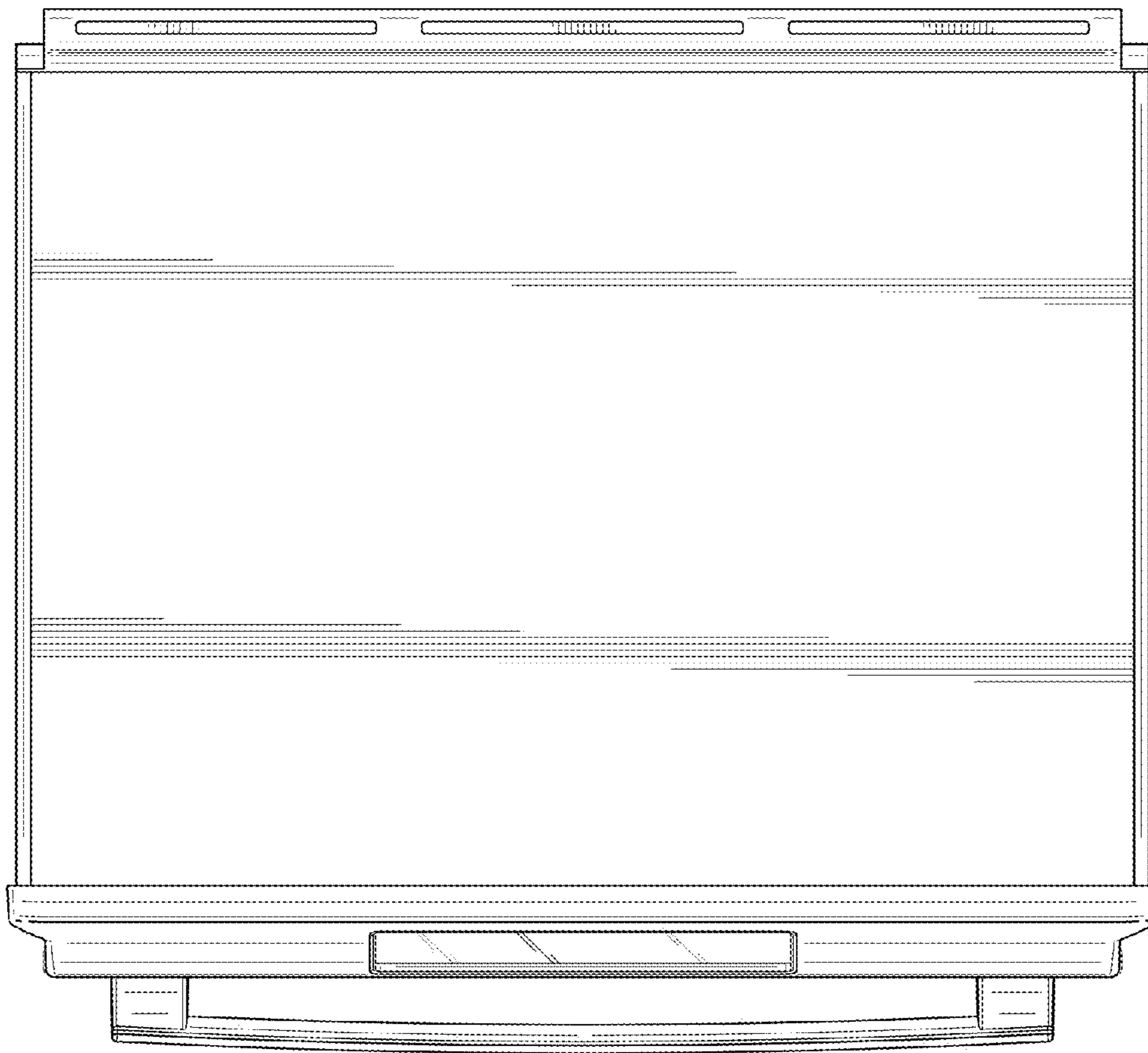


Fig. 3

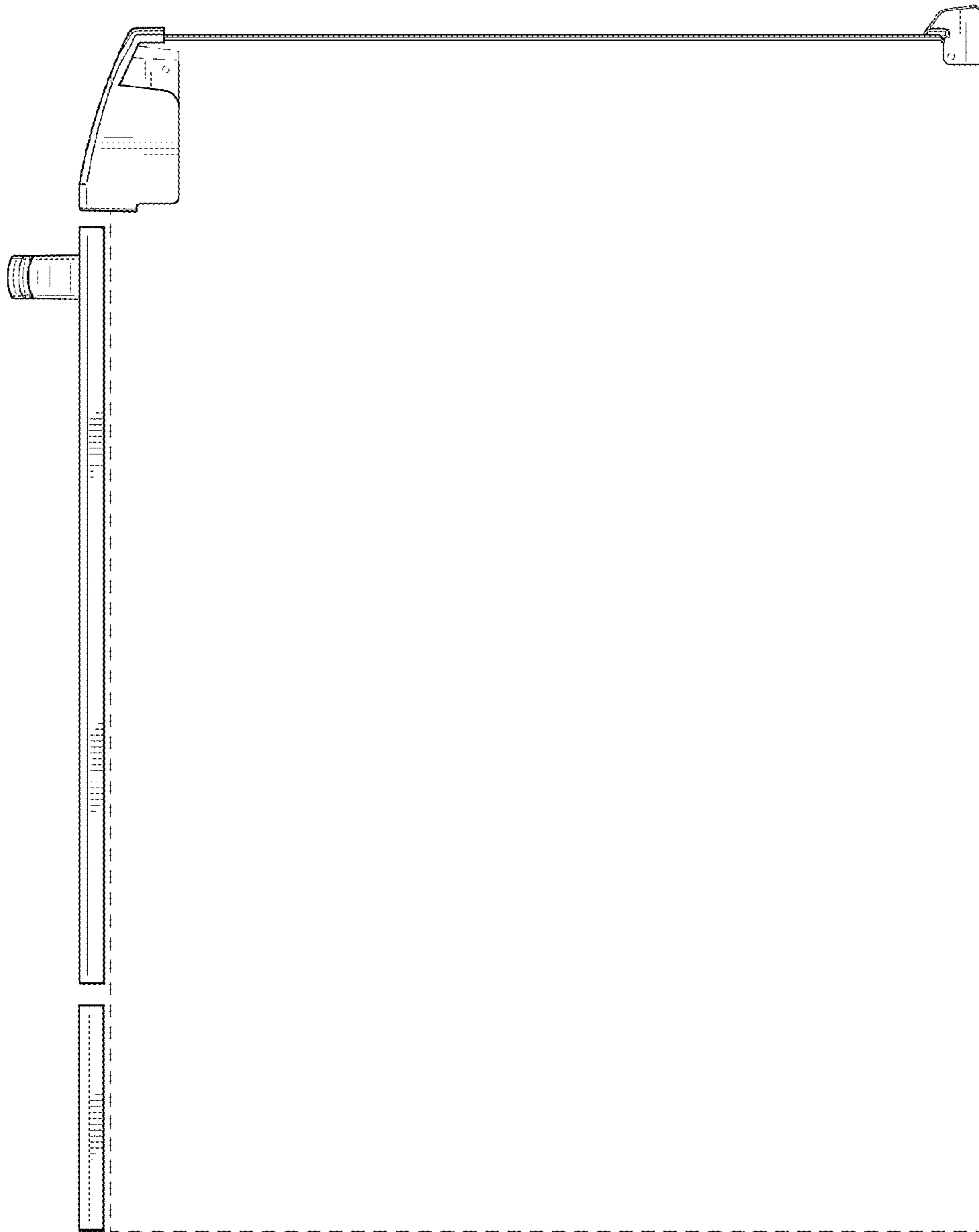


Fig. 4