



US00D750405S

(12) **United States Design Patent**  
**Muller**

(10) **Patent No.:** **US D750,405 S**  
(45) **Date of Patent:** **\*\* Mar. 1, 2016**

(54) **TABLE**

- (71) Applicant: **Elite Manufacturing Corporation**,  
Santa Fe Springs, CA (US)
- (72) Inventor: **Carl Muller**, Huntington Beach, CA  
(US)
- (73) Assignee: **Elite Manufacturing Corporation**,  
Santa Fe Springs, CA (US)

(\*\*) Term: **14 Years**

(21) Appl. No.: **29/486,749**

(22) Filed: **Apr. 2, 2014**

(51) **LOC (10) Cl.** ..... **06-06**

(52) **U.S. Cl.**  
USPC ..... **D6/708.17**

(58) **Field of Classification Search**  
USPC ..... D6/691, 692, 691.4, 692.3, 708, 708.17,  
D6/708.21, 708.22  
CPC .. A47B 13/02; A47B 2013/024; A47B 13/06;  
A47B 2013/022; A47B 2200/012  
See application file for complete search history.

(56) **References Cited**

U.S. PATENT DOCUMENTS

609,592 A *	8/1898	Shultz .....	A47B 3/12 108/150
D276,100 S *	10/1984	Middleton .....	D6/672
D392,478 S *	3/1998	Schwab .....	D6/691.4
6,619,601 B1 *	9/2003	Vall .....	A47B 13/02 108/158.12
D511,257 S *	11/2005	Chabot .....	D6/691.4
D650,204 S *	12/2011	Muller	
D716,597 S *	11/2014	Muller .....	D6/708.17

\* cited by examiner

*Primary Examiner* — Janice Seeger

(74) *Attorney, Agent, or Firm* — Stetina Brunda Garred & Brucker

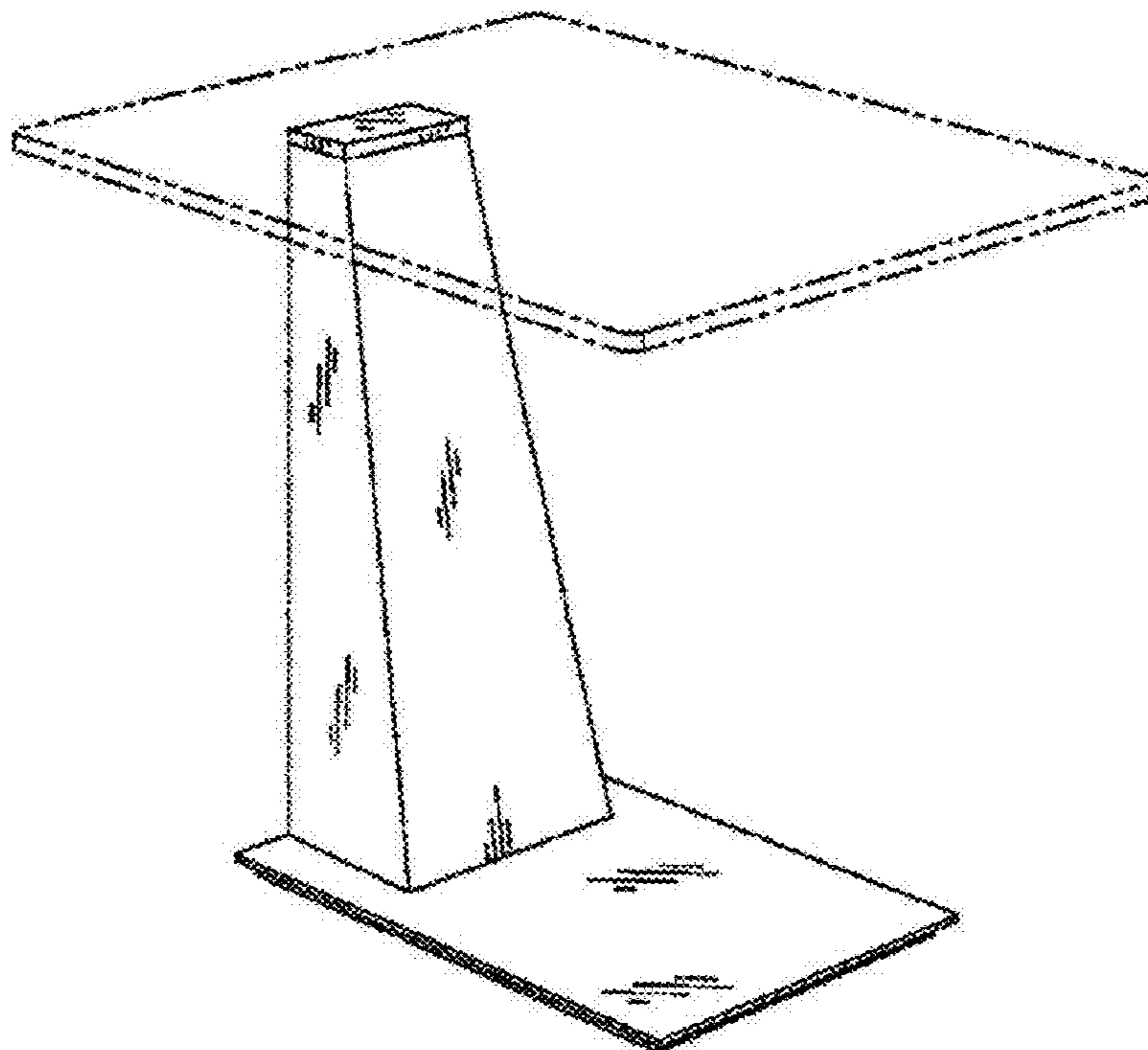
(57) **CLAIM**

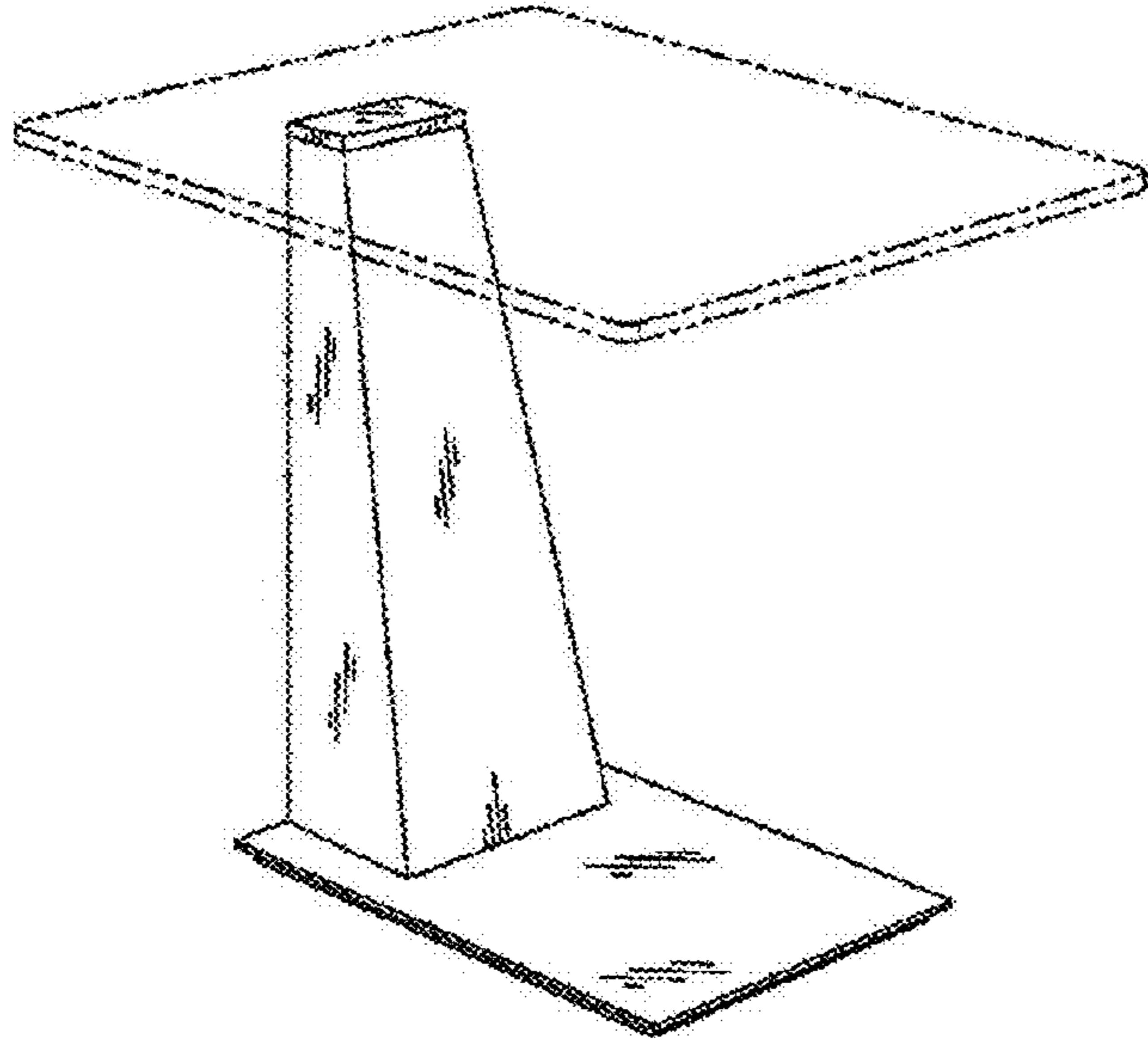
The ornamental design for a table, as shown and described.

**DESCRIPTION**

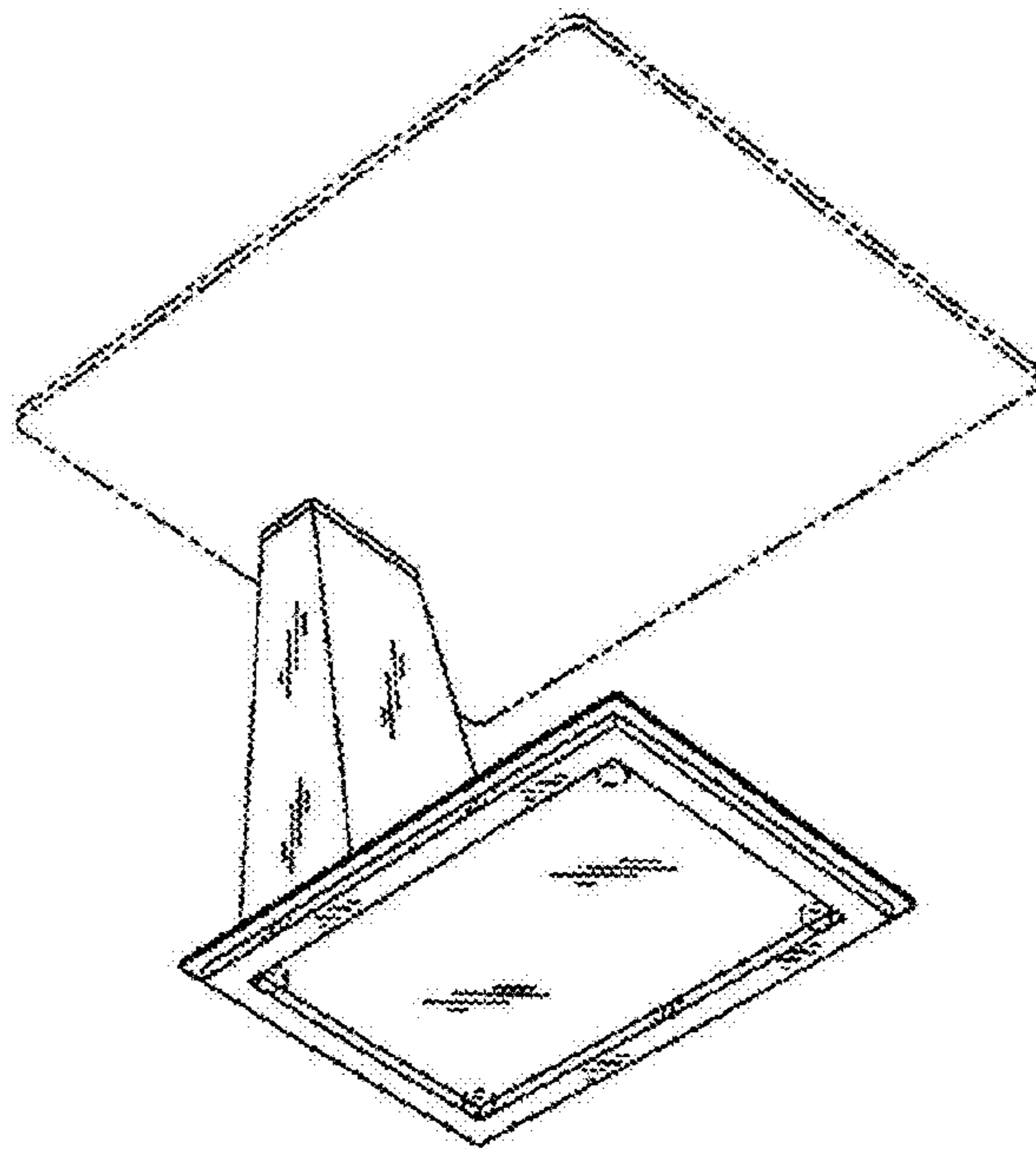
FIG. 1 is a top perspective view of the table of the present invention showing my new design with the dotted lines forming no part of the claimed design;  
 FIG. 2 is bottom perspective view thereof;  
 FIG. 3 is a top plan view thereof;  
 FIG. 4 is a side elevational view thereof;  
 FIG. 5 is an end view thereof; and,  
 FIG. 6 is bottom plan view thereof.

**1 Claim, 2 Drawing Sheets**





**Fig. 1**



**Fig. 2**

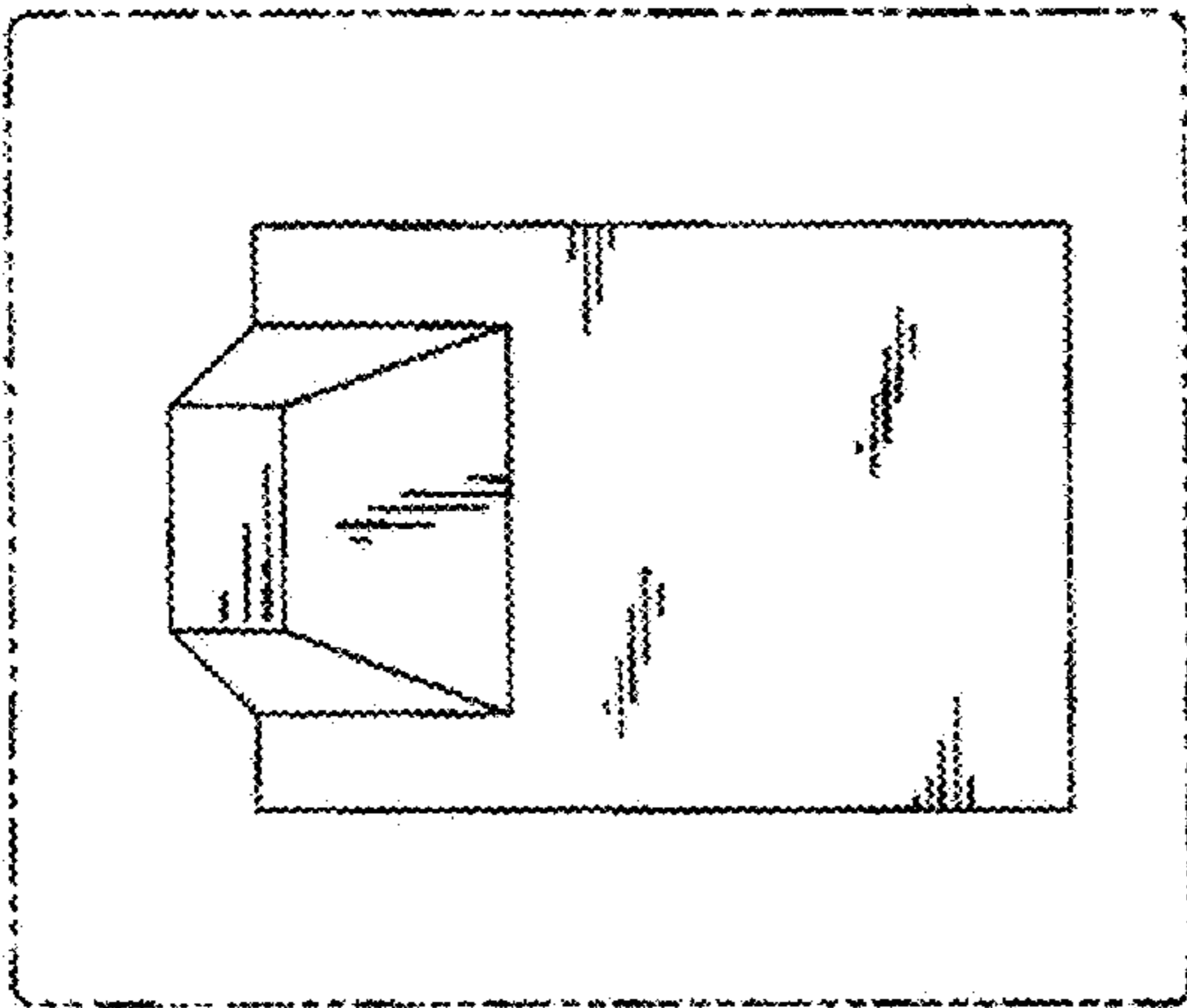


Fig. 3

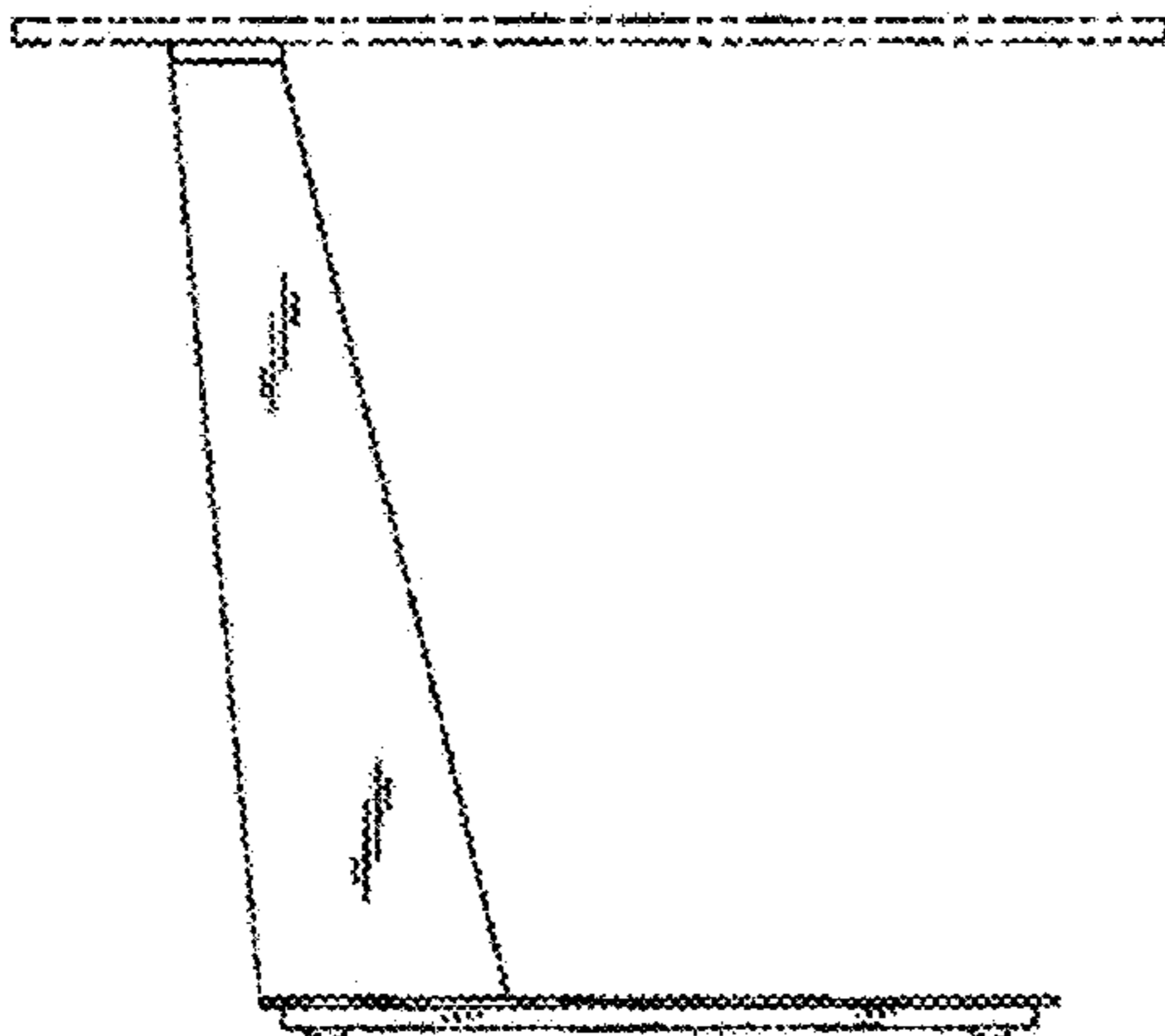


Fig. 4

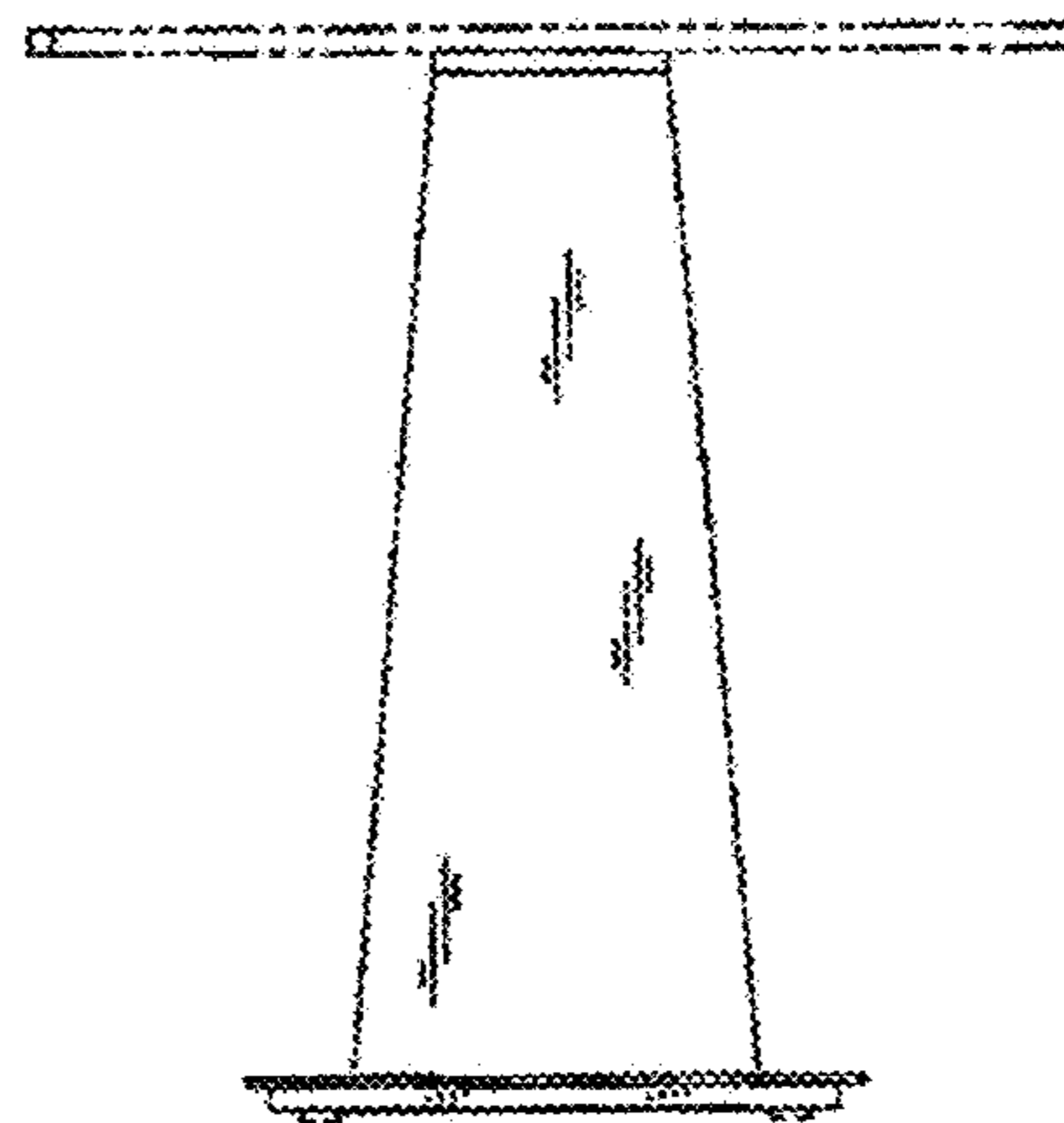


Fig. 5

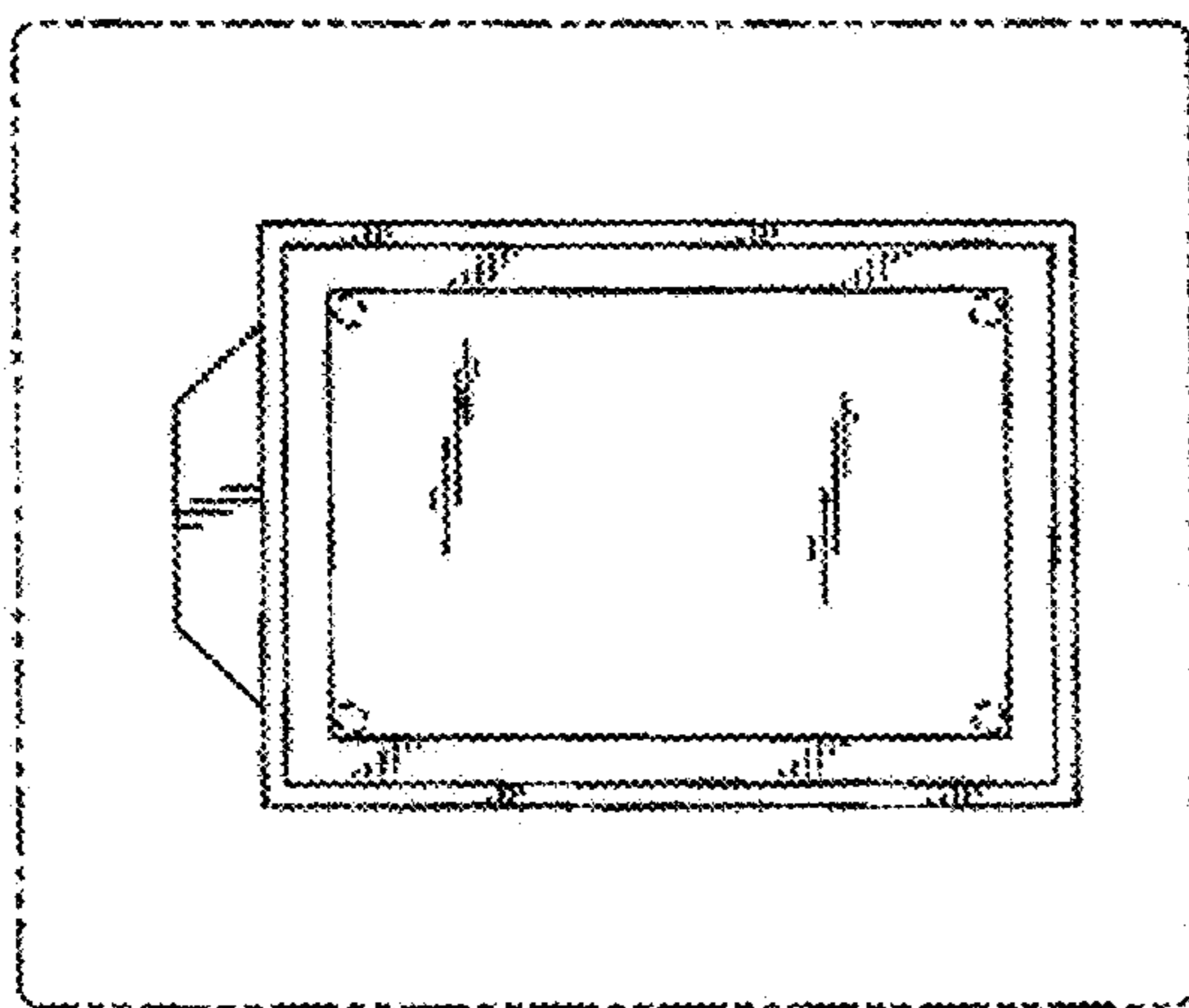


Fig. 6