



US00D750402S

(12) **United States Design Patent**
Lin

(10) **Patent No.:** **US D750,402 S**
(45) **Date of Patent:** **** *Mar. 1, 2016**

(54) **RECTANGULAR TABLE**

(71) Applicant: **Zhuhai Shichang Metals Ltd.**, Zhuahi
(CN)

(72) Inventor: **Wen-Sheng Lin**, Kaohsiung (TW)

(73) Assignee: **Zhuhai Shichang Metals Ltd.** (CN)

(*) Notice: This patent is subject to a terminal disclaimer.

(**) Term: **14 Years**

(21) Appl. No.: **29/485,668**

(22) Filed: **Mar. 21, 2014**

(51) **LOC (10) Cl.** **06-03**

(52) **U.S. Cl.**
USPC **D6/691**

(58) **Field of Classification Search**
USPC D6/691, 691.6, 692, 692.4, 707.17, 656,
D6/656.13
CPC A47B 3/00; A47B 3/0818; A47B 3/087
See application file for complete search history.

(56) **References Cited**

U.S. PATENT DOCUMENTS

1,549,979	A *	8/1925	Hofstad	190/12 R
D420,527	S *	2/2000	Pinch et al.	D6/691.6
D476,169	S	6/2003	Buono		
6,622,644	B2	9/2003	Buono		
D504,035	S *	4/2005	Sun	D6/691
7,621,224	B2	11/2009	Lin et al.		
2005/0155531	A1 *	7/2005	Chang	108/130
2005/0160950	A1 *	7/2005	Haney et al.	108/129
2011/0203494	A1 *	8/2011	Ashby et al.	108/127
2013/0025509	A1 *	1/2013	Jin et al.	108/166

* cited by examiner

Primary Examiner — Janice Seeger
(74) *Attorney, Agent, or Firm* — Luedeka Neely Group, P.C.

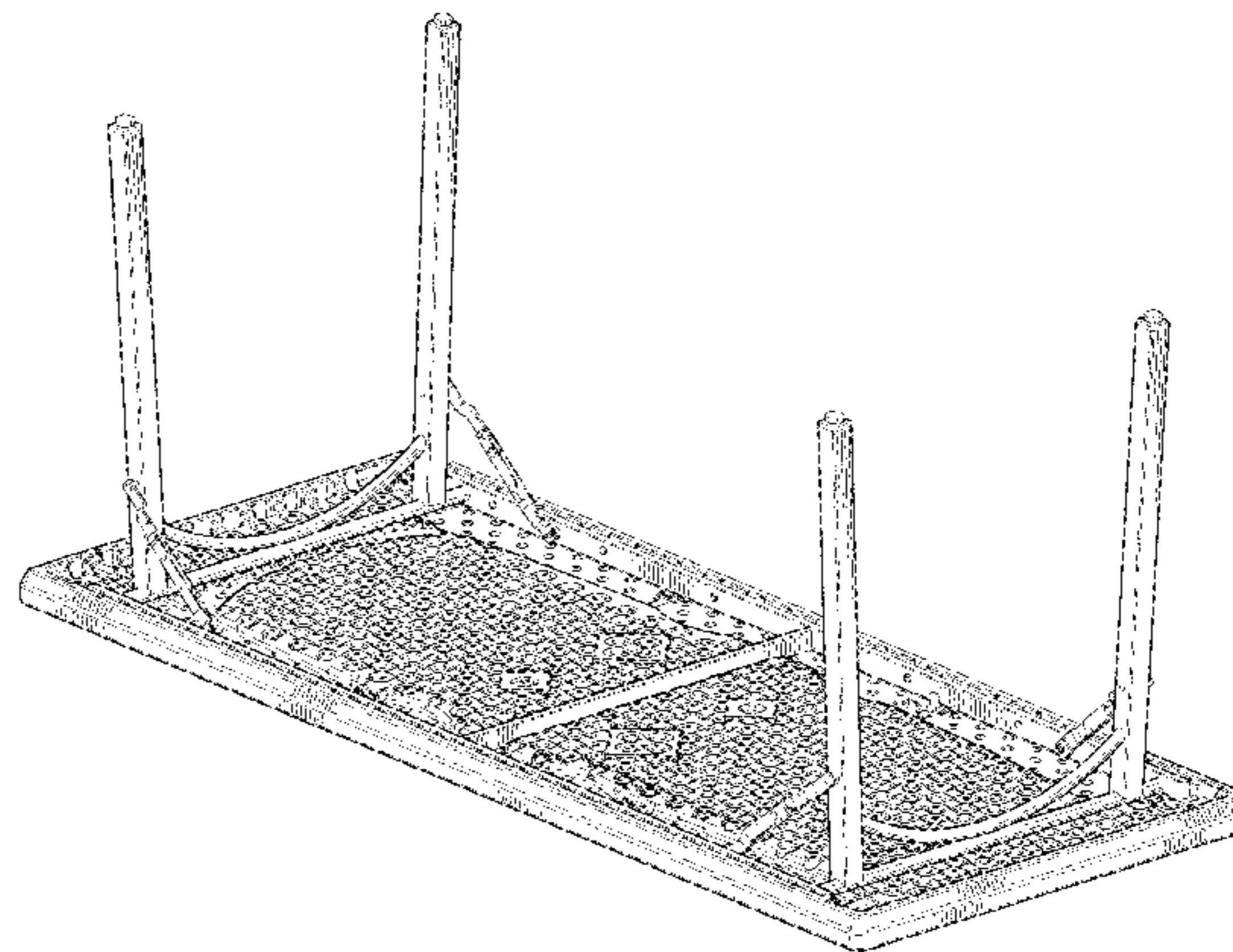
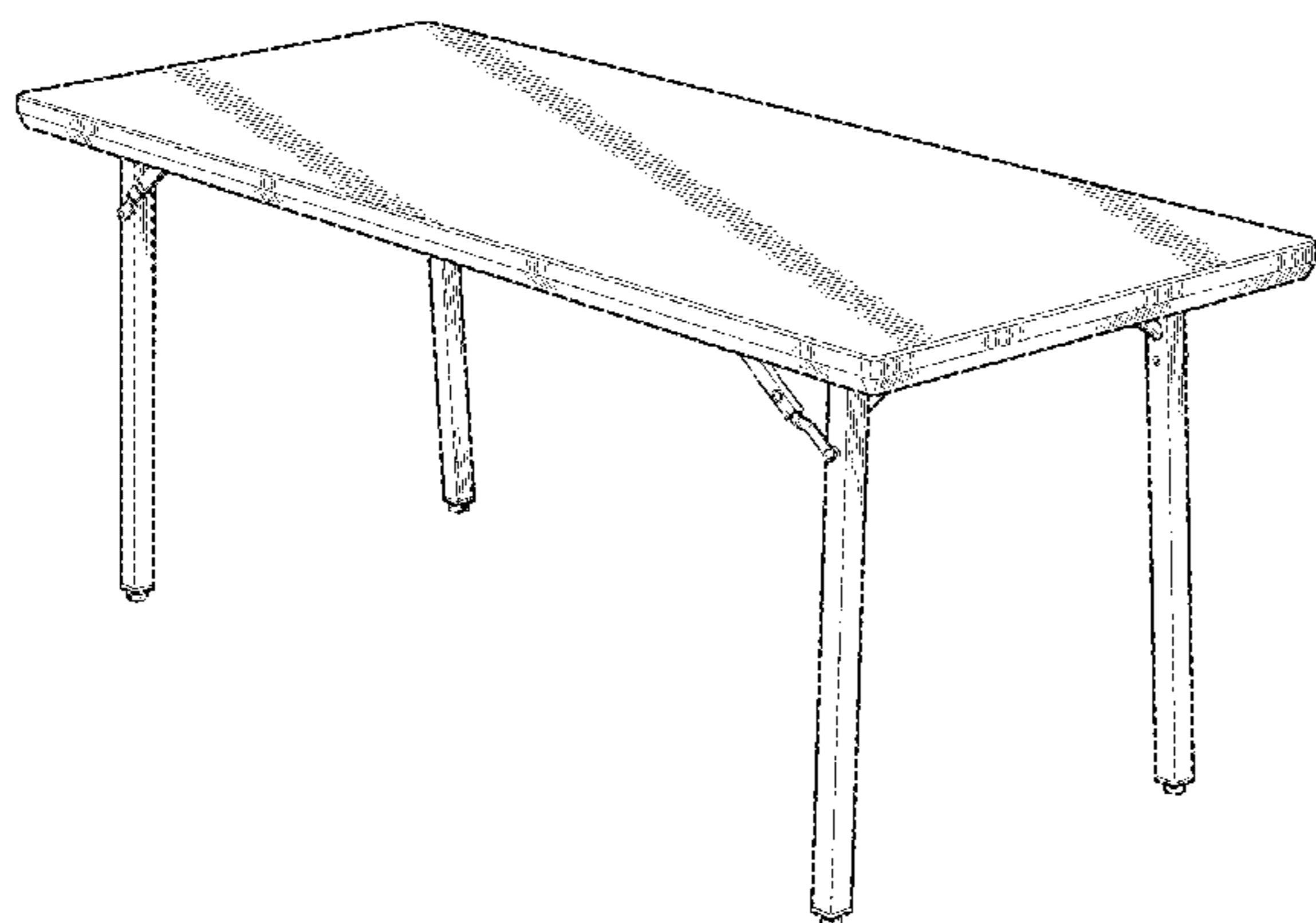
(57) **CLAIM**

The ornamental design for a rectangular table, as shown and described.

DESCRIPTION

FIG. 1 is a top perspective view of the rectangular table;
FIG. 2 is a side plan view of the rectangular table, the opposite side being a mirror image;
FIG. 3 is an end plan view of the rectangular table, the opposite end being a mirror image;
FIG. 4 is a top plan view of the rectangular table;
FIG. 5 is a bottom plan view of the rectangular table; and,
FIG. 6 is a bottom perspective view of the rectangular table.

1 Claim, 6 Drawing Sheets



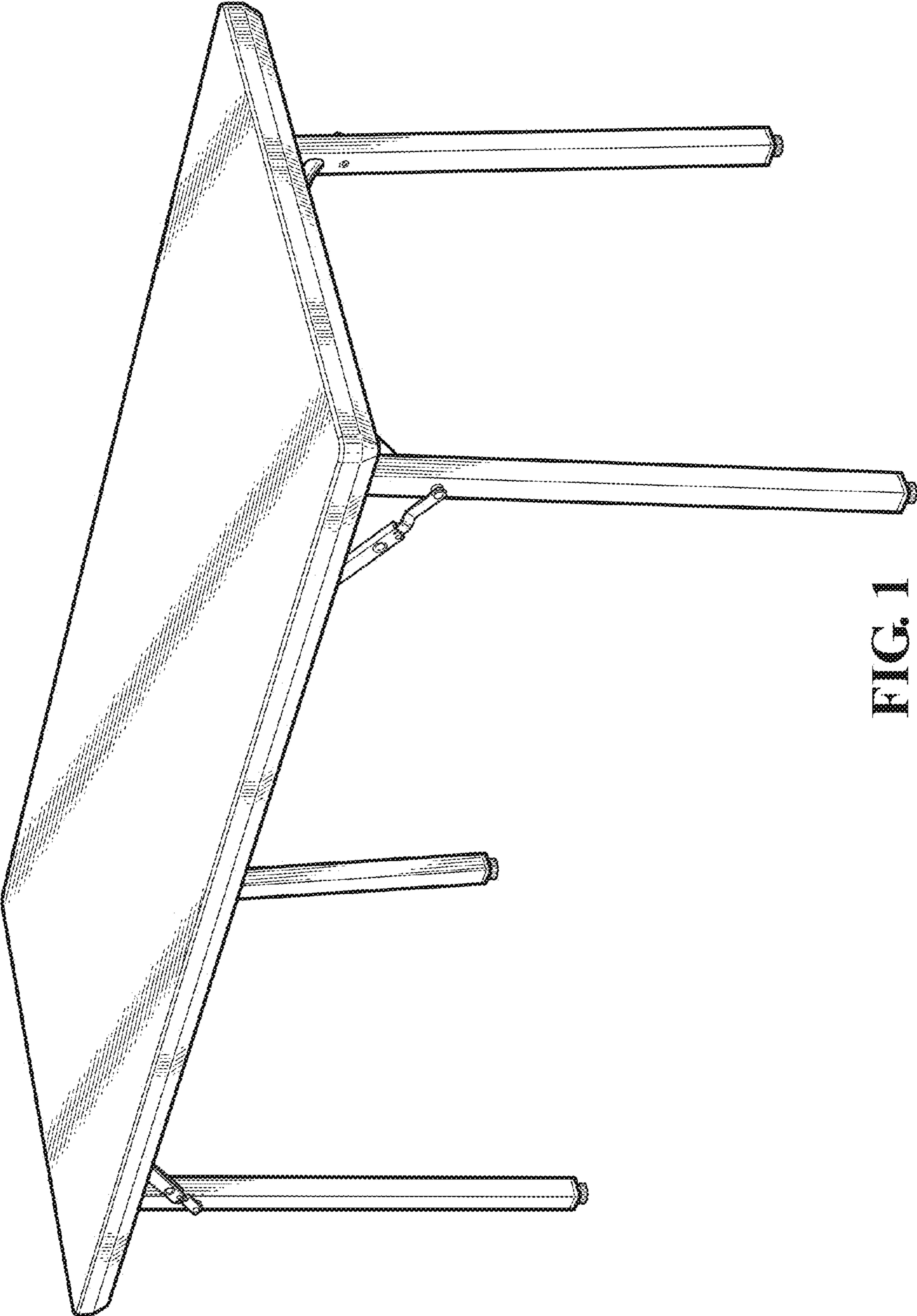


FIG. 1

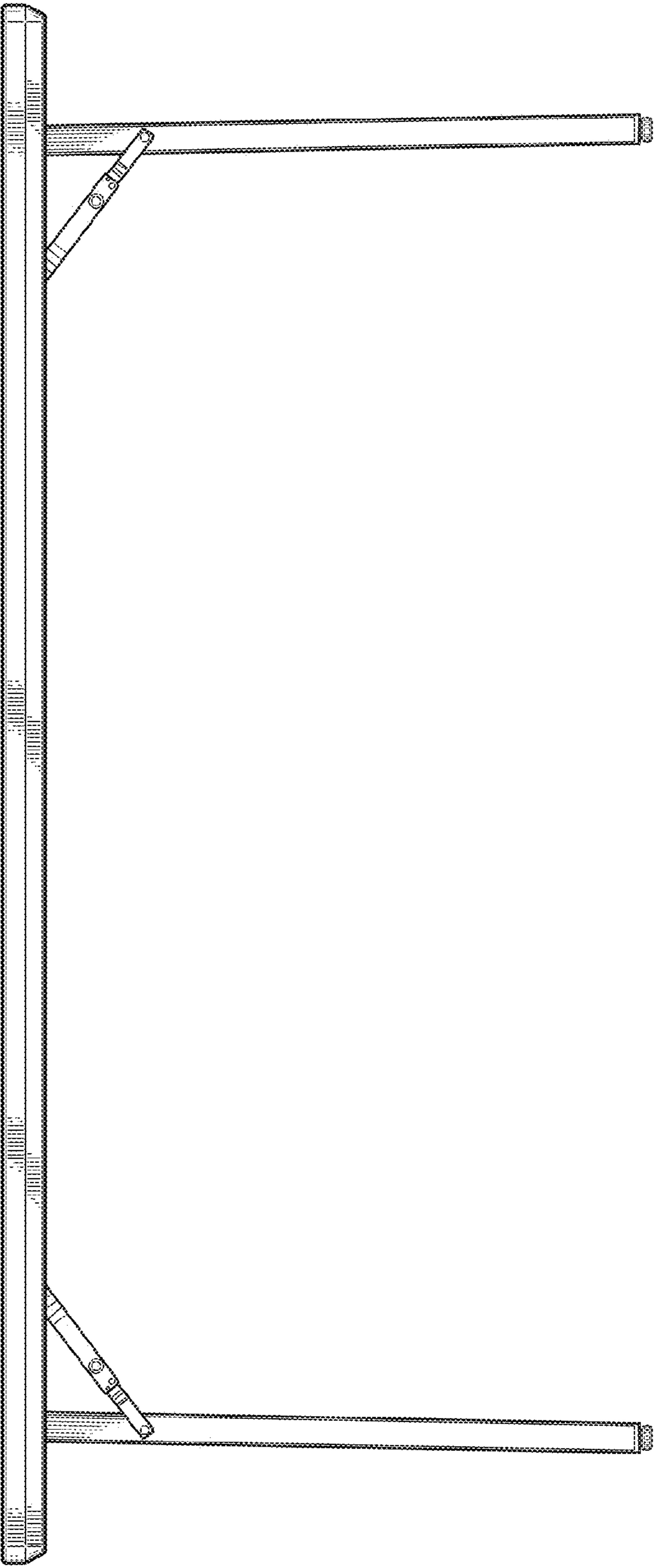


FIG. 2

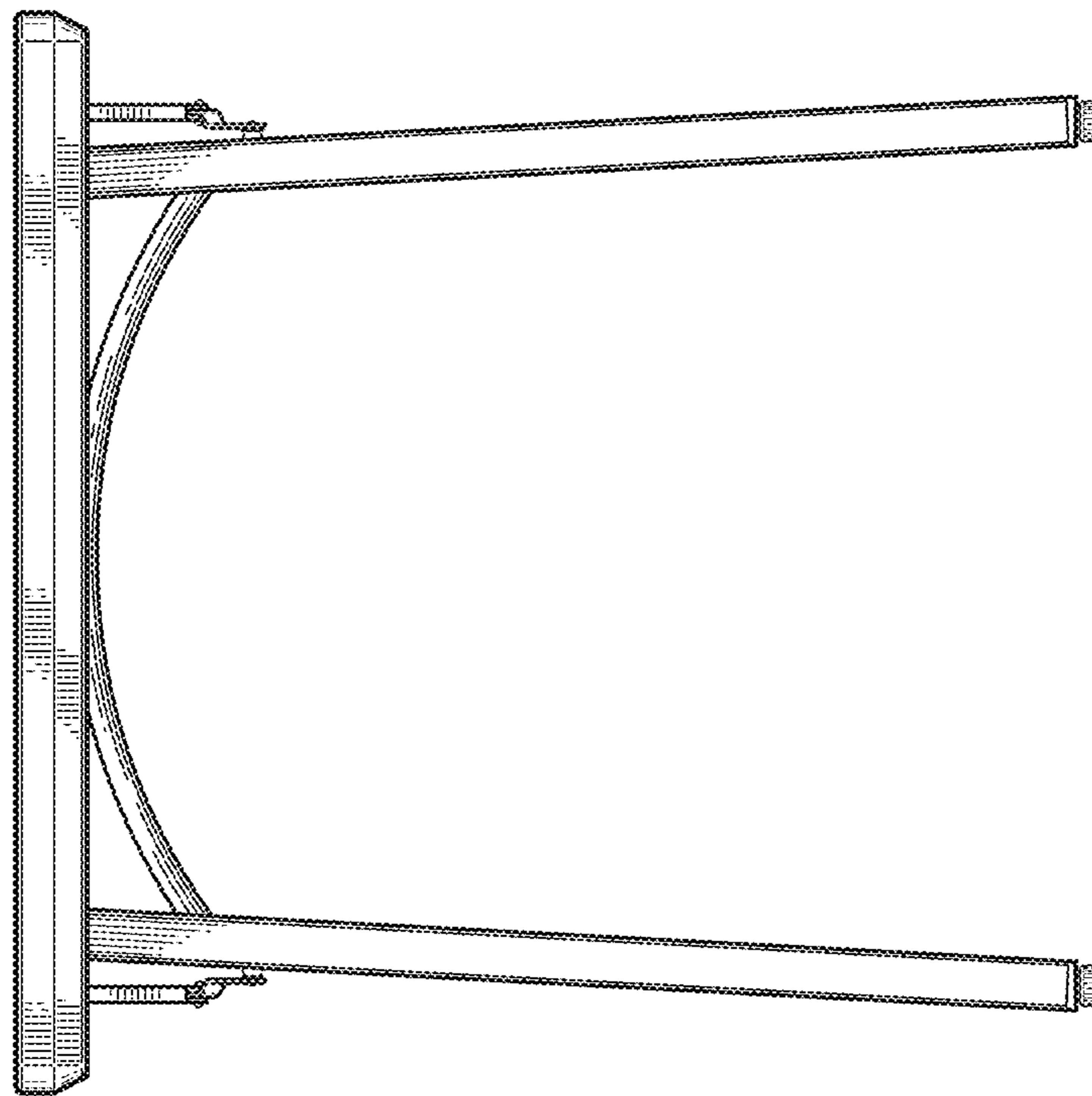


FIG. 3

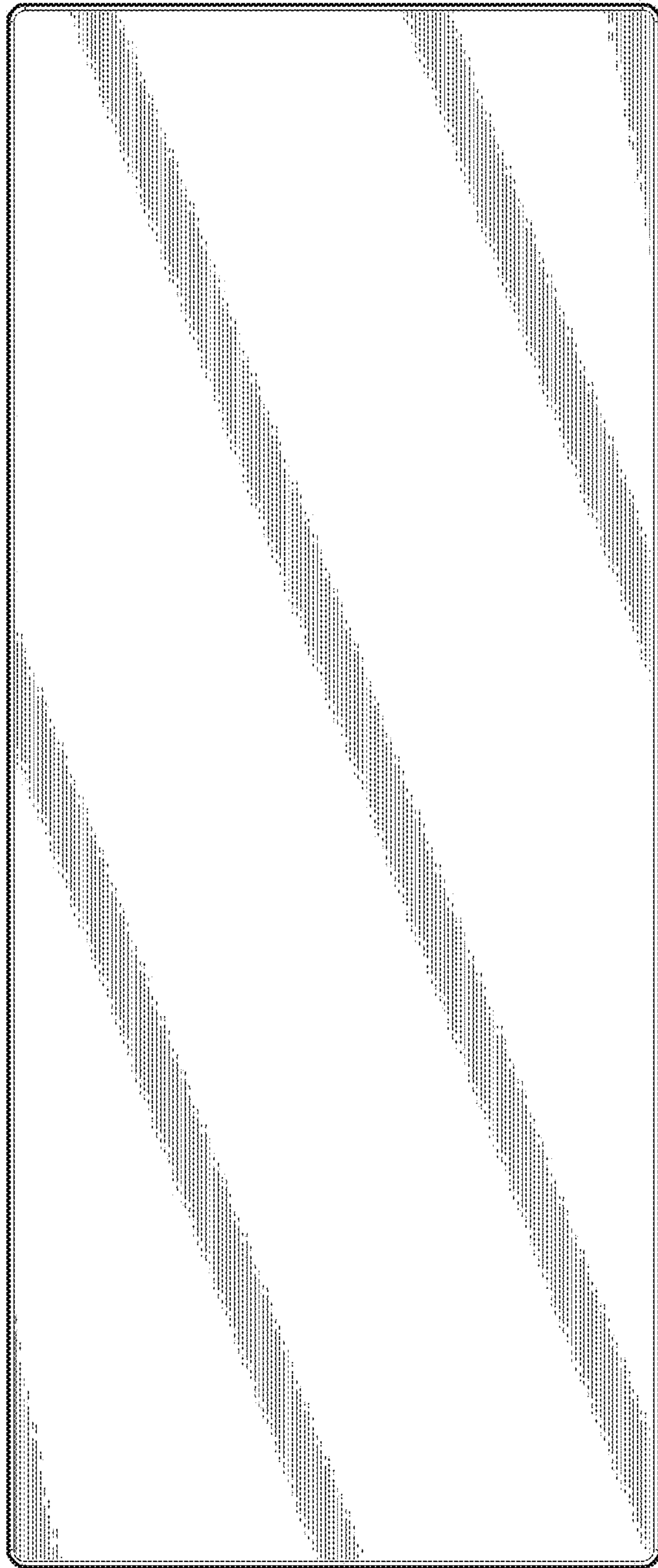


FIG. 4

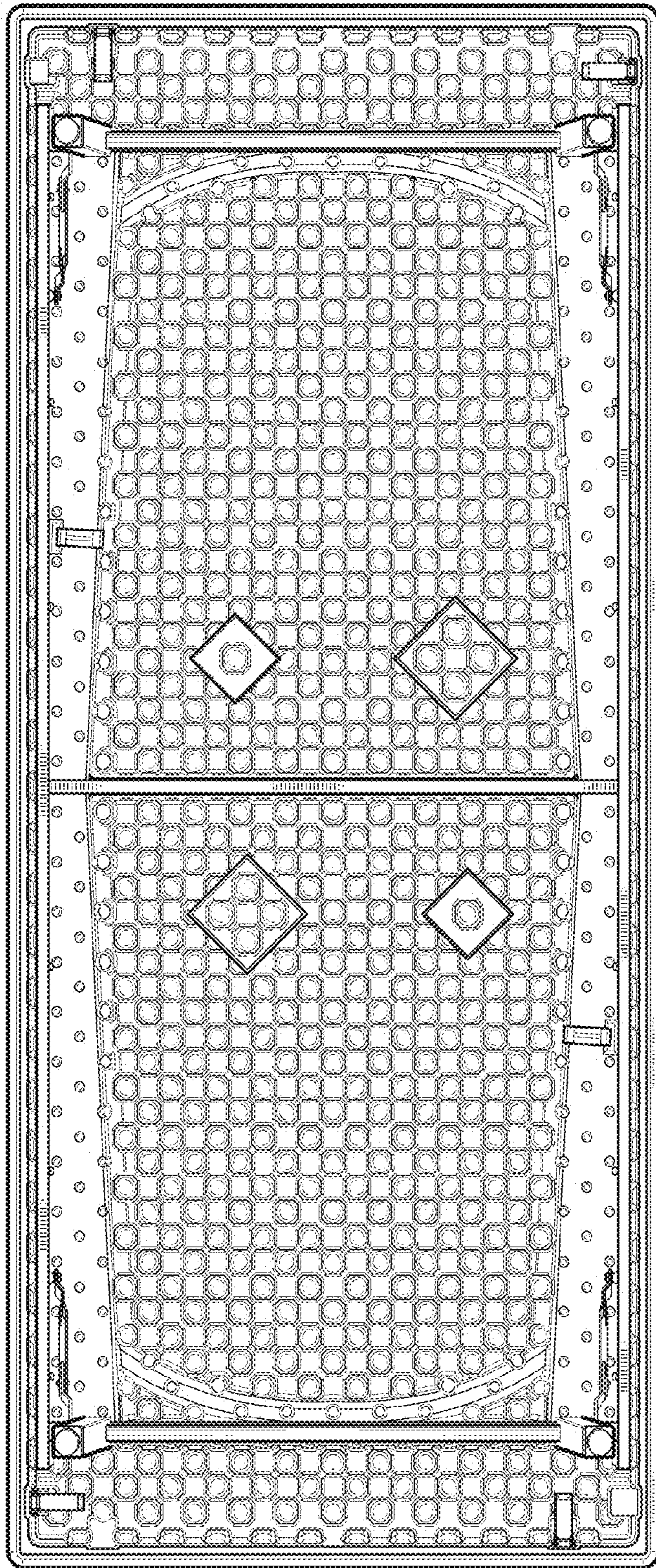


FIG. 5

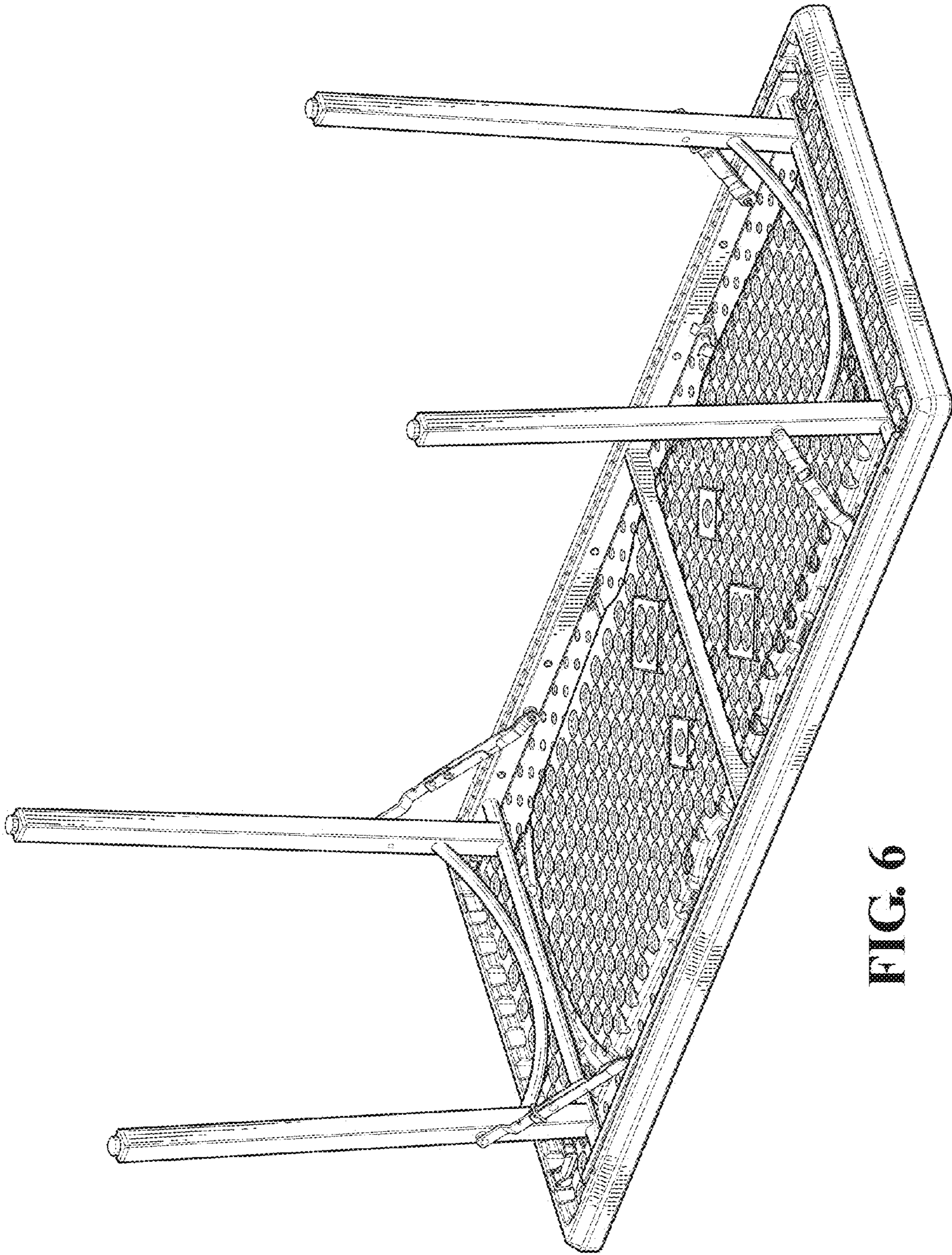


FIG. 6