

US00D750401S

(12) **United States Design Patent**
Ruiz et al.

(10) **Patent No.:** **US D750,401 S**
(45) **Date of Patent:** **** Mar. 1, 2016**

- (54) **TWO-TIER GARMENT RACK**
- (71) Applicant: **Whitmor, Inc.**, Southhaven, MS (US)
- (72) Inventors: **Milton D. Ruiz**, Germantown, TN (US);
Sandy Felsenthal, Memphis, TN (US)
- (73) Assignee: **Whitmor, Inc.**, Southhaven, MS (US)
- (**) Term: **14 Years**
- (21) Appl. No.: **29/498,312**
- (22) Filed: **Aug. 1, 2014**
- (51) **LOC (10) Cl.** **06-04**
- (52) **U.S. Cl.**
USPC **D6/681**
- (58) **Field of Classification Search**
USPC D6/681, 681.1, 681.2, 681.3, 682, 684,
D6/682.5, 672, 673, 675.5, 675, 300, 310,
D6/312, 329, 512; 211/85.26, 85.24, 195;
248/454, 460, 188.2, 176.1, 166, 164
CPC A47G 25/0664; A47G 25/0685; A47G
25/06; A47G 25/0692; A47F 7/24; A47B
61/003; A47B 55/00; D06F 95/002; D06F
57/06
See application file for complete search history.

D328,397 S *	8/1992	Handler	D6/681
6,092,769 A *	7/2000	Brown	A61F 2/0095 248/150
D465,352 S *	11/2002	Kim	D6/681
D465,947 S *	11/2002	Andersen	D6/675.1
D474,350 S *	5/2003	Sardis	D6/681.1
D515,844 S *	2/2006	Pryor	D6/681
D530,931 S *	10/2006	Gilbert	D6/353
D617,576 S *	6/2010	Lin	D6/681.1
D677,932 S *	3/2013	Wang	D6/681.1
D736,548 S *	8/2015	Hornsby	D6/681.1
2012/0074082 A1 *	3/2012	Hornsby	A47G 25/0685 211/85.3
2015/0008201 A1 *	1/2015	Qiang	A47F 7/24 211/85.3
2015/0097091 A1 *	4/2015	Felsenthal	B65B 67/12 248/97

* cited by examiner

Primary Examiner — Eric Goodman
Assistant Examiner — Clese Moore, Jr.
(74) *Attorney, Agent, or Firm* — Husch Blackwell LLP

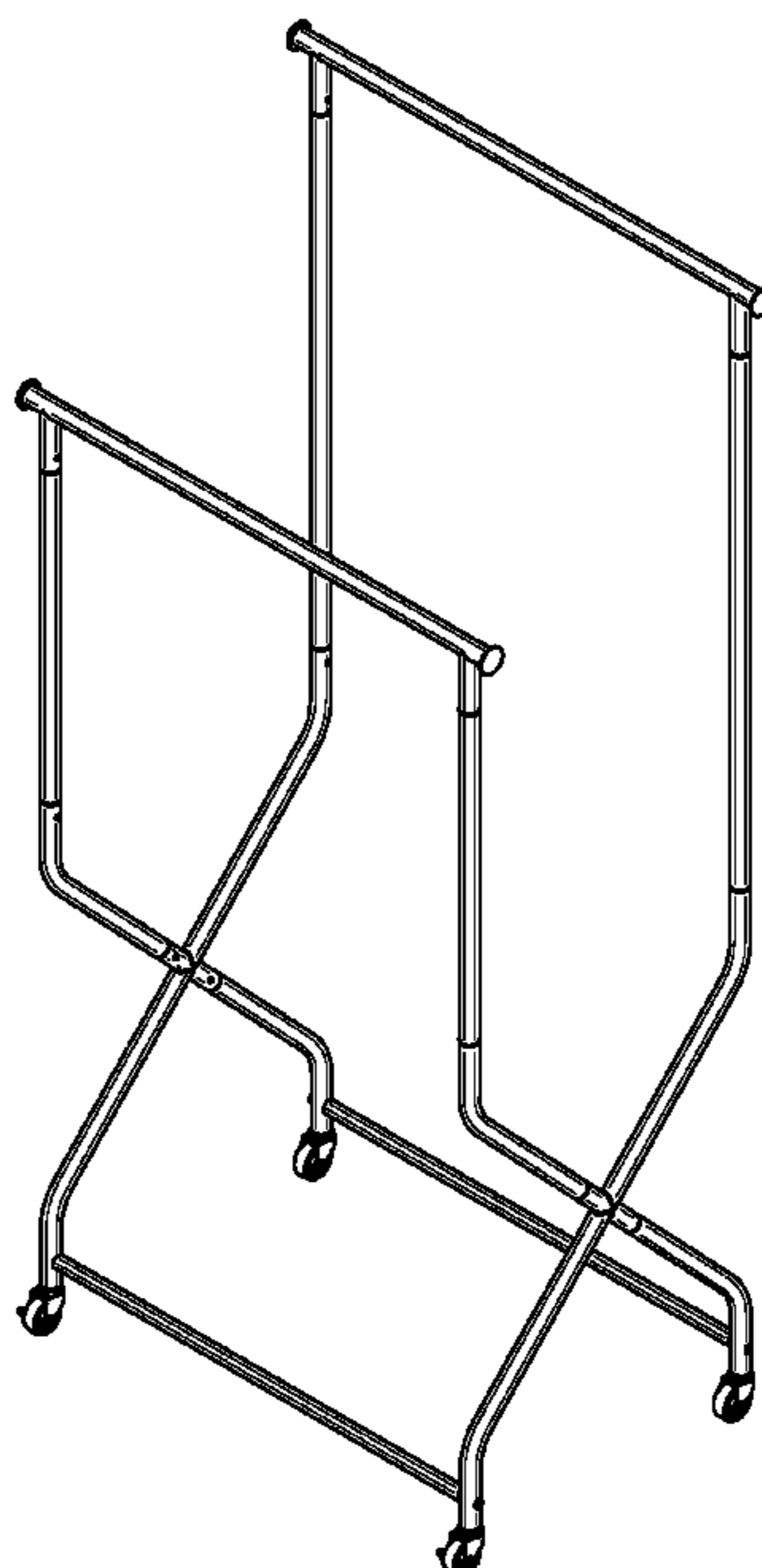
(57) **CLAIM**
We claim the ornamental design for a two-tier garment rack, as shown and described.

DESCRIPTION

FIG. 1 is a front perspective view of a two-tier garment rack according to our new design;
FIG. 2 is a front elevation view of the rack shown in FIG. 1;
FIG. 3 is a rear elevation view of the rack shown in FIG. 1;
FIG. 4 is a right side view of the rack shown in FIG. 1;
FIG. 5 is a left side view of the rack shown in FIG. 1;
FIG. 6 is a top view of the rack shown in FIG. 1; and,
FIG. 7 is a bottom view of the rack shown in FIG. 1.

1 Claim, 5 Drawing Sheets

- (56) **References Cited**
U.S. PATENT DOCUMENTS
D92,663 S * 7/1934 Lehman D6/681.1
D156,008 S * 11/1949 Hopkins D6/681
D266,218 S * 9/1982 Hodson D6/691.8
D289,952 S * 5/1987 Kido D6/681.1
D304,650 S * 11/1989 Price 108/119



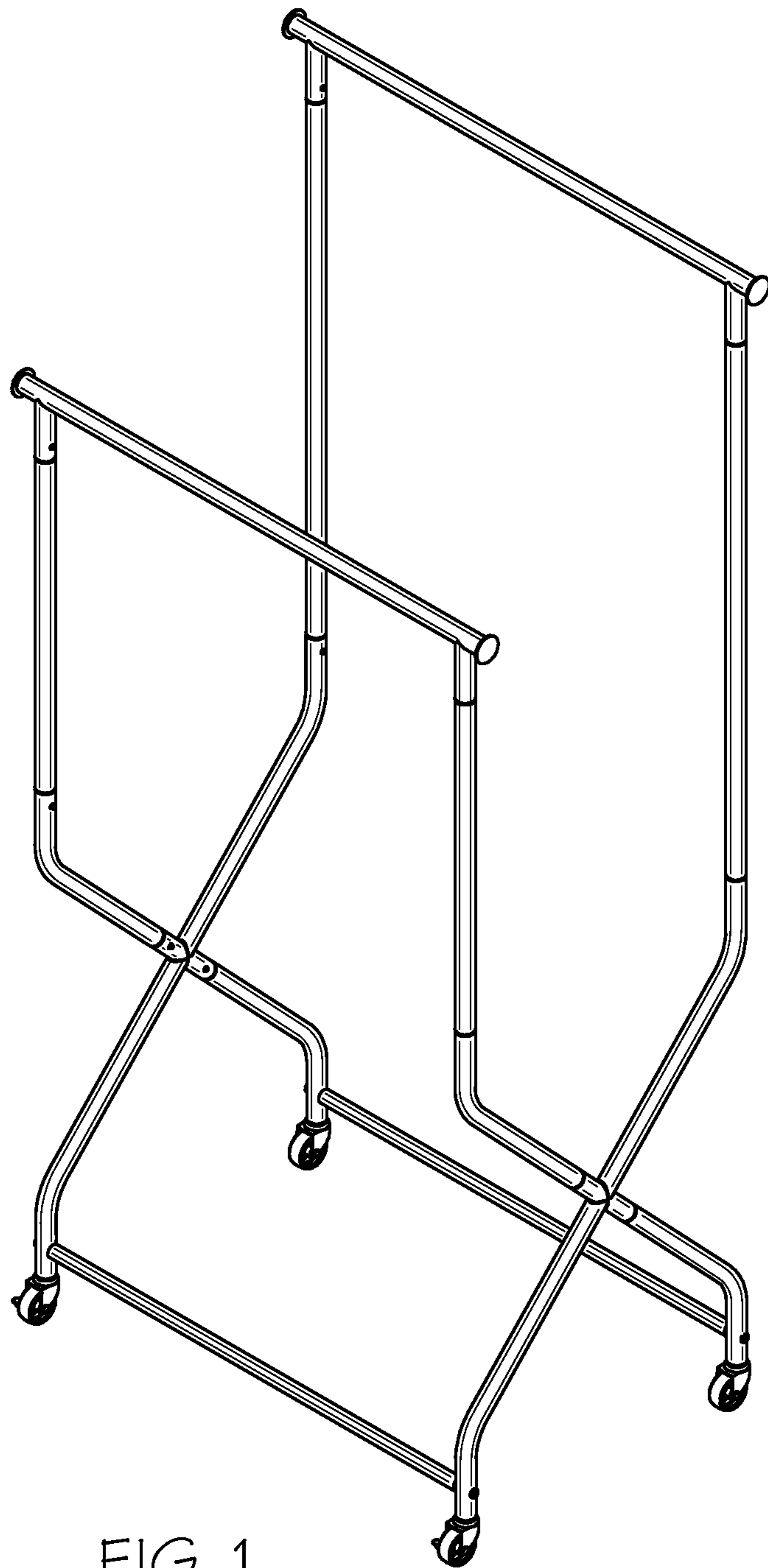


FIG. 1

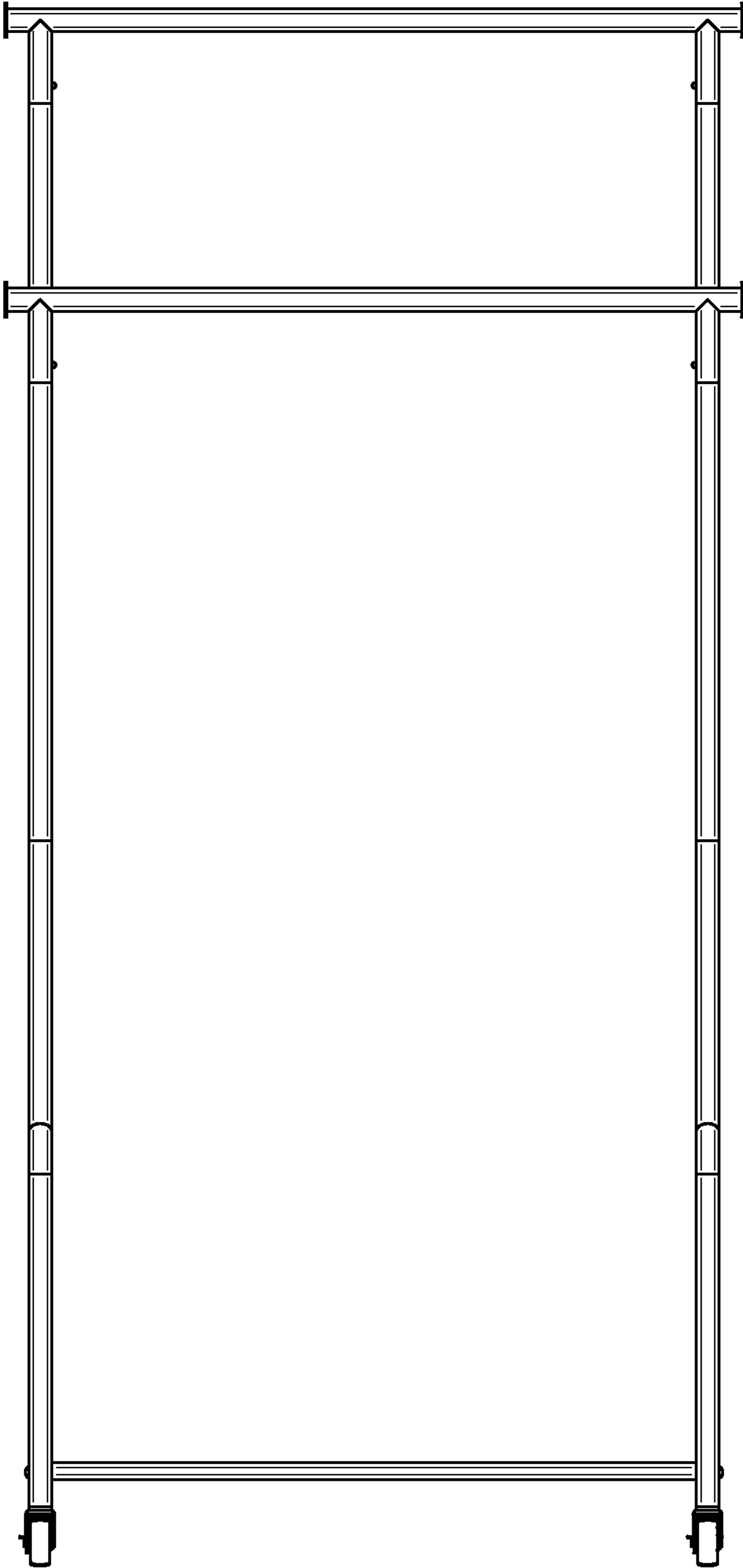


FIG. 2

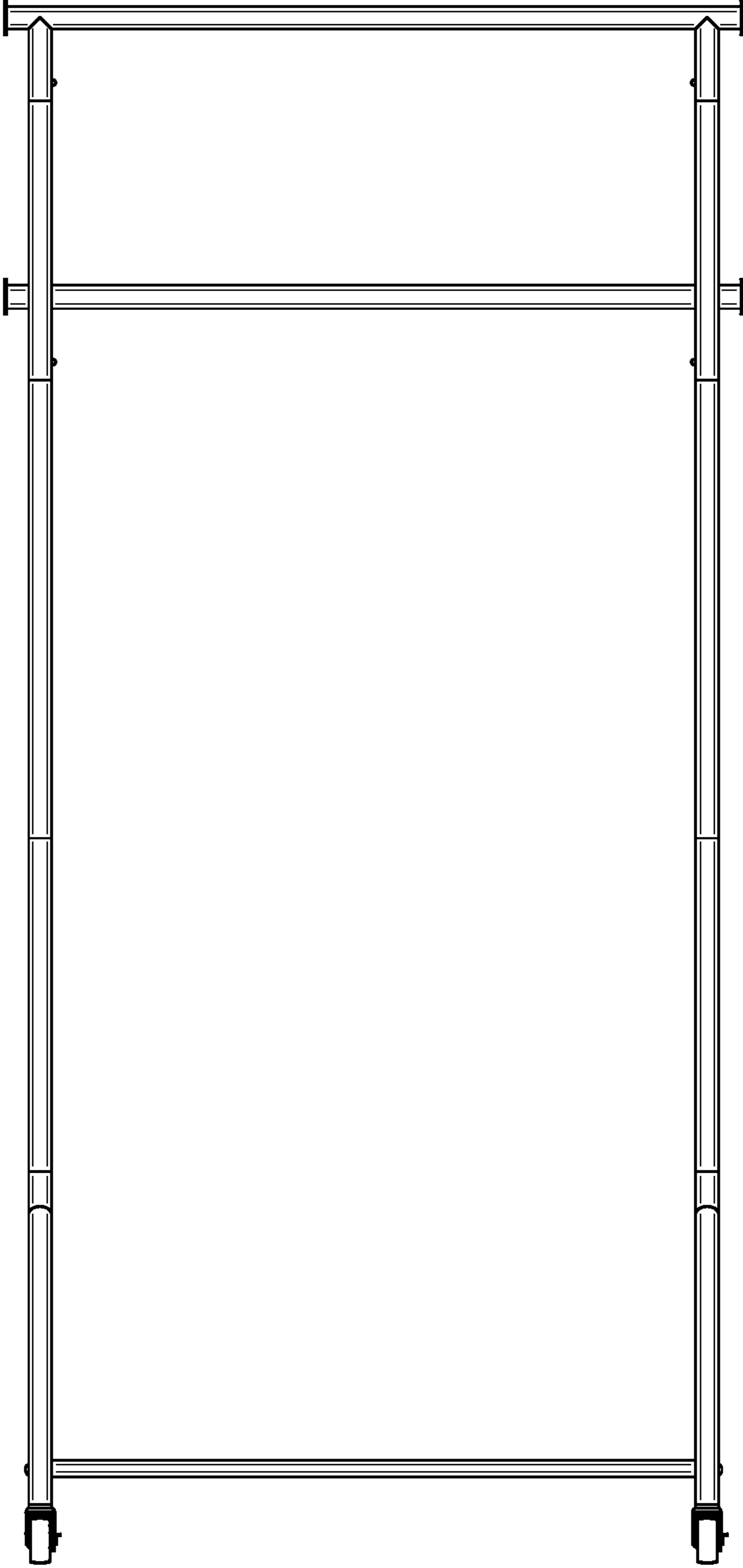


FIG. 3

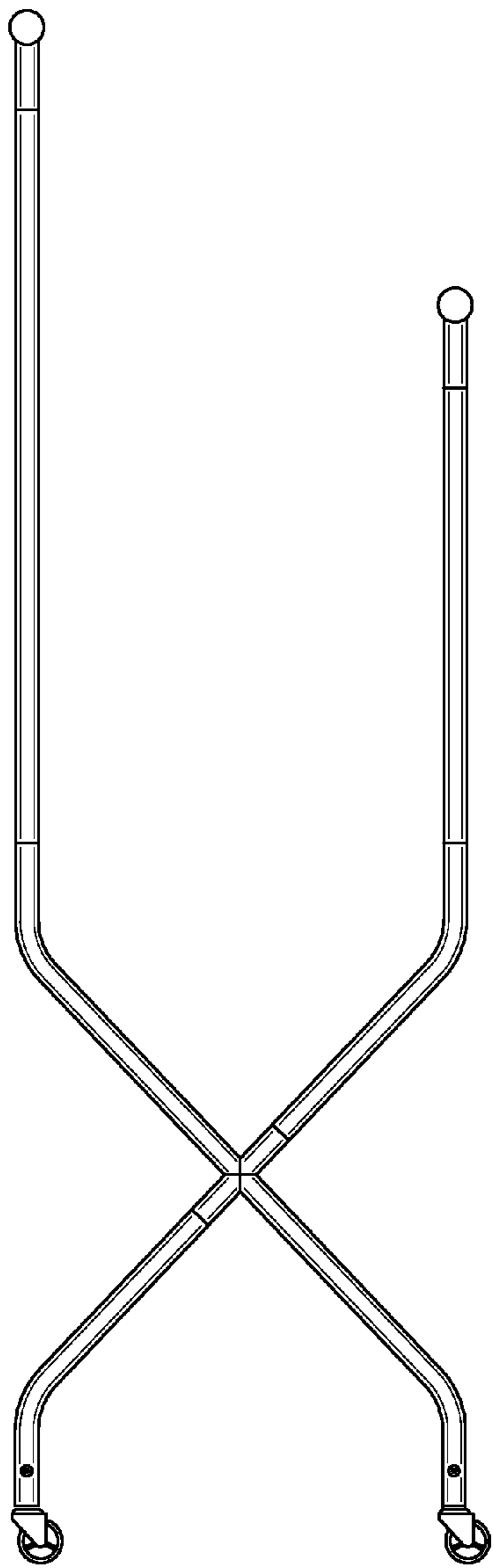


FIG. 4

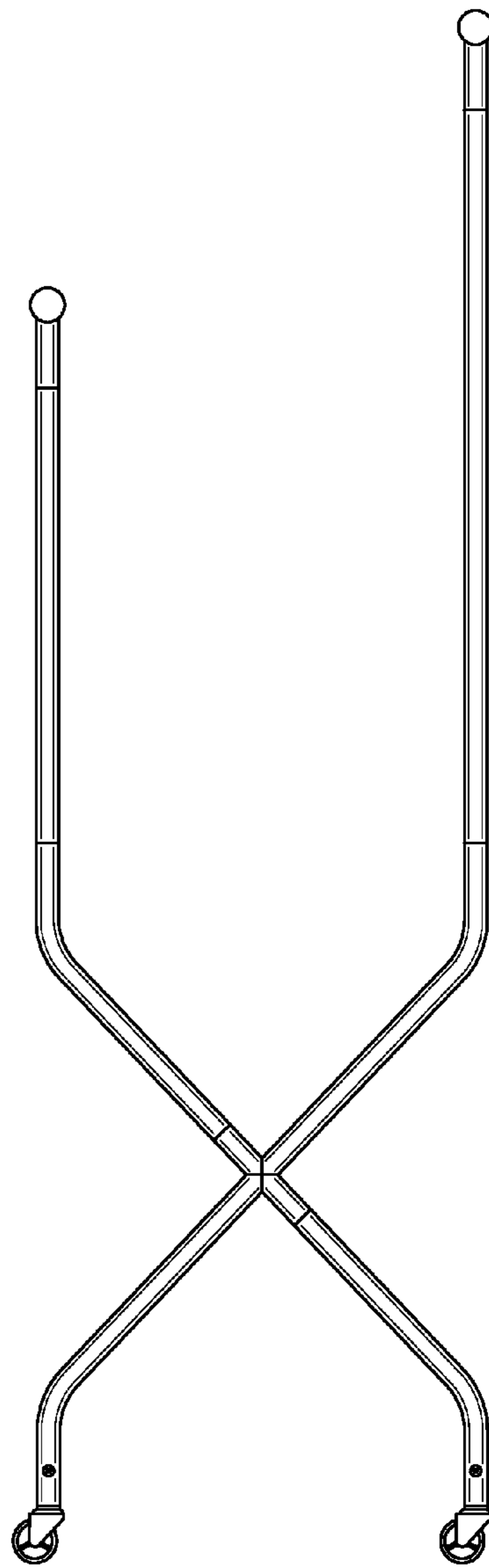


FIG. 5

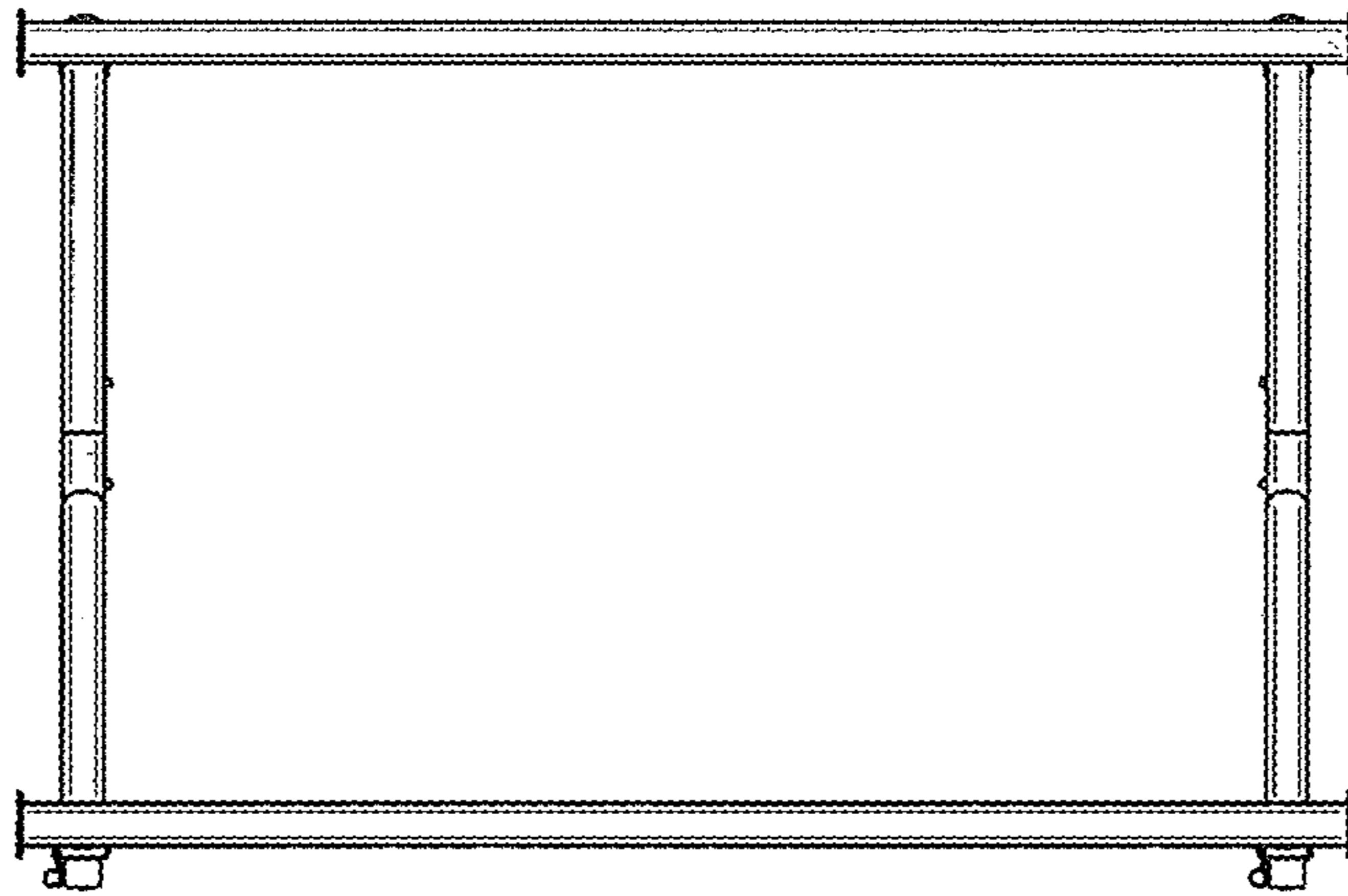


FIG. 6

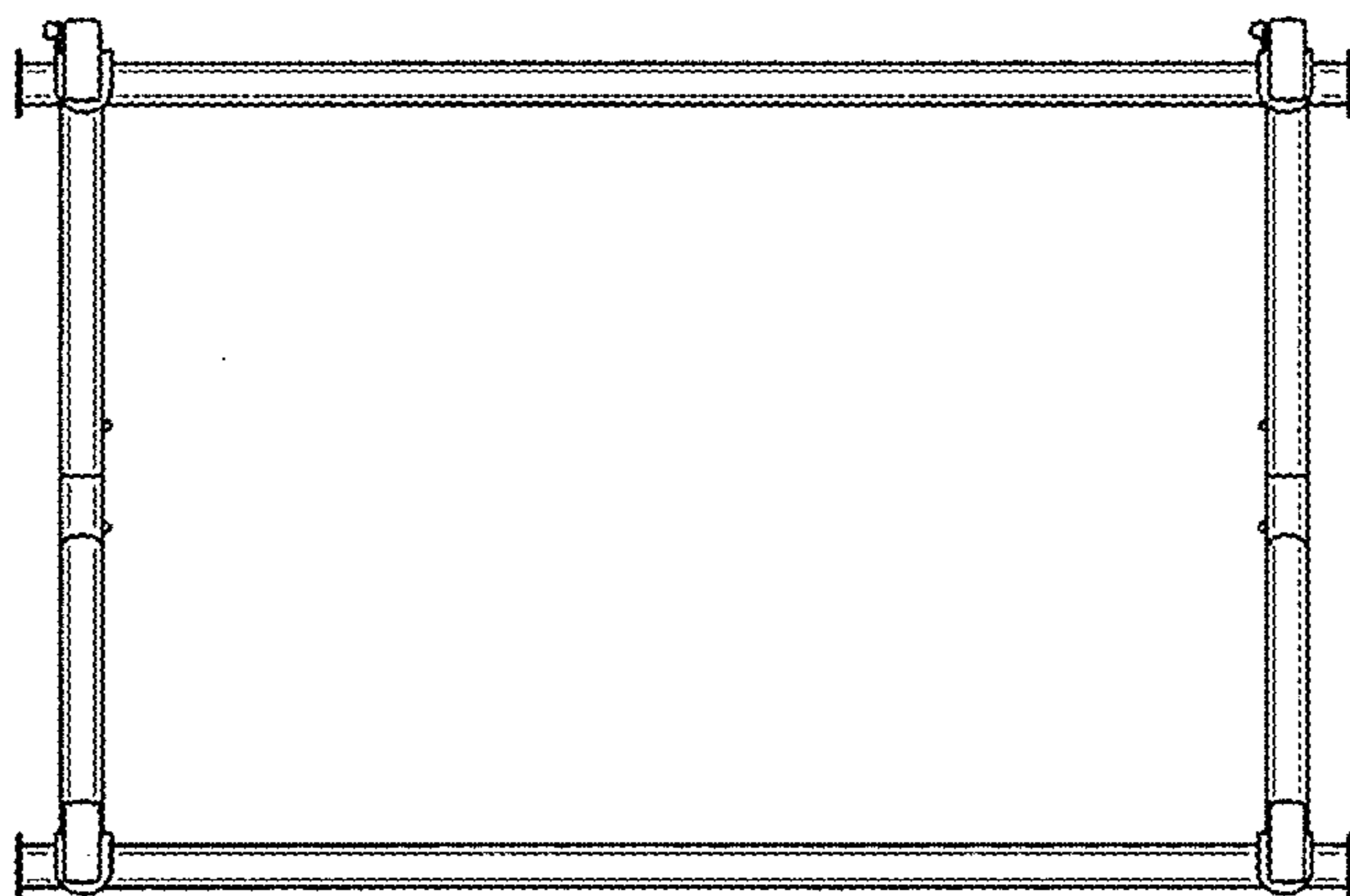


FIG. 7