



US00D750400S

(12) **United States Design Patent**  
**Lowery**

(10) **Patent No.:** **US D750,400 S**  
(45) **Date of Patent:** **\*\* Mar. 1, 2016**

(54) **DISPLAY STAND**

(71) Applicant: **Robert Lowery**, Conway, SC (US)

(72) Inventor: **Robert Lowery**, Conway, SC (US)

(\*\*) Term: **15 Years**

(21) Appl. No.: **29/540,378**

(22) Filed: **Sep. 23, 2015**

(51) **LOC (10) Cl.** ..... **06-06**

(52) **U.S. Cl.**  
USPC ..... **D6/678**

(58) **Field of Classification Search**  
USPC ..... D6/672, 678, 680.2, 681.1; D7/601,  
D7/701  
CPC ..... A47G 29/00; A47F 3/00; A47F 5/02  
See application file for complete search history.

(56) **References Cited**

**U.S. PATENT DOCUMENTS**

D300,790 S *	4/1989	Beckwith .....	D11/131
D335,401 S *	5/1993	Nations .....	D11/131
D415,768 S *	10/1999	Howell .....	D14/239
D433,351 S *	11/2000	Ellis .....	D11/131
D459,898 S *	7/2002	Sanford .....	D6/302
D613,524 S *	4/2010	Jeffers .....	D6/682
D691,839 S *	10/2013	Dallenbach .....	D6/681.1
D710,543 S *	8/2014	Dittmer .....	D28/73
D718,295 S *	11/2014	Fan .....	D14/251
D724,072 S *	3/2015	Jiang .....	D14/253

D732,045 S *	6/2015	Stener .....	D14/447
2014/0203156 A1 *	7/2014	Stener .....	F16M 11/14 248/425
2015/0296979 A1 *	10/2015	Todd .....	A47B 75/00 211/85.4

\* cited by examiner

*Primary Examiner* — Kelley Donnelly

(74) *Attorney, Agent, or Firm* — QuickPatents; Kevin Prince

(57) **CLAIM**

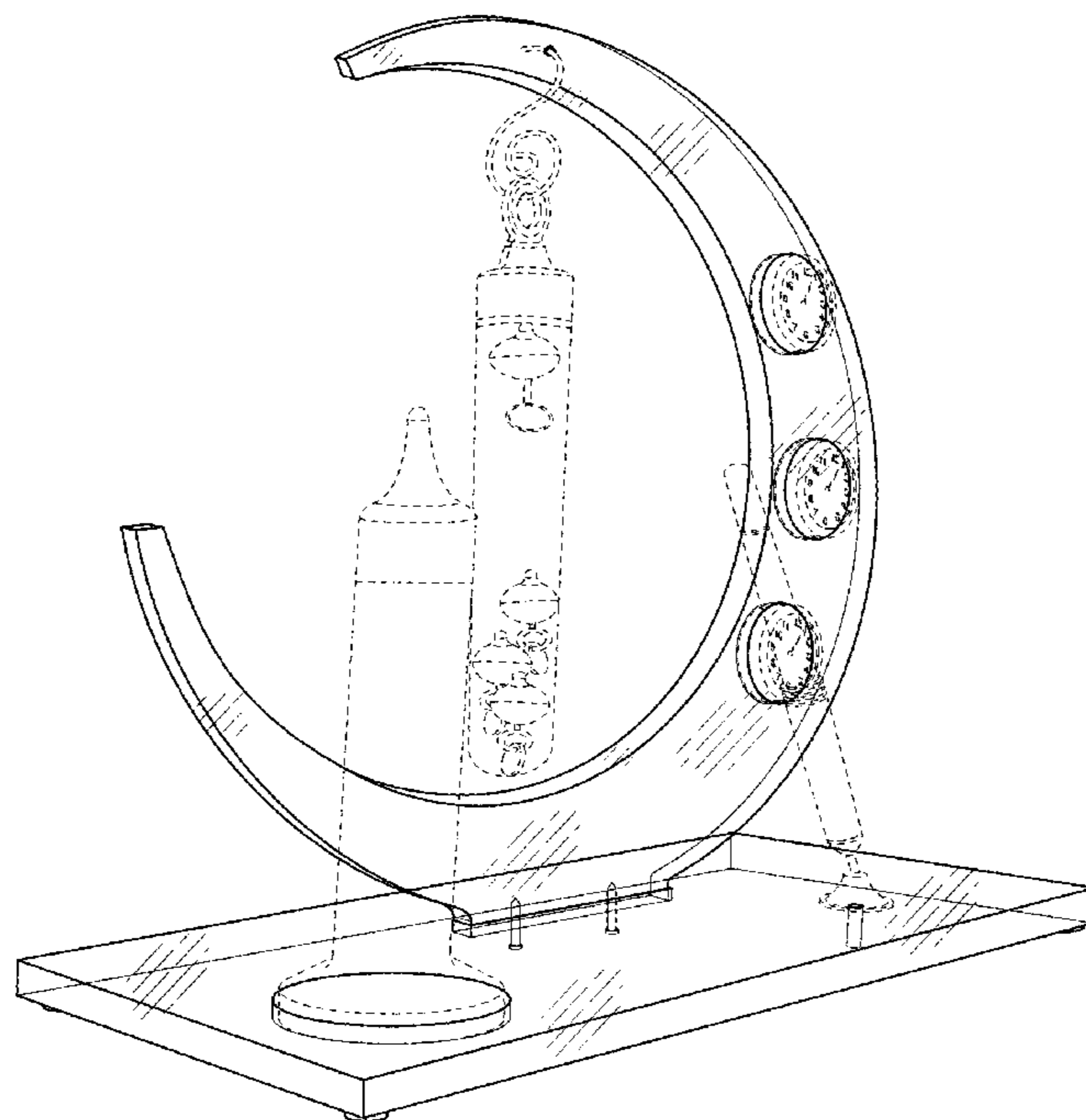
I claim the ornamental design for a display stand, as shown and described.

**DESCRIPTION**

FIG. 1 is a perspective view of a display stand, showing a first embodiment of my new design;  
 FIG. 2 is a front elevational view of FIG. 1;  
 FIG. 3 is a rear elevational view of FIG. 1;  
 FIG. 4 is a right-side elevational view of FIG. 1;  
 FIG. 5 is a left-side elevational view of FIG. 1;  
 FIG. 6 is a bottom plan view of FIG. 1;  
 FIG. 7 is a top plan view of FIG. 1;  
 FIG. 8 is a perspective view of a second embodiment thereof;  
 FIG. 9 is a front elevational view of FIG. 8;  
 FIG. 10 is a rear elevational view of FIG. 8;  
 FIG. 11 is a right-side elevational view of FIG. 8;  
 FIG. 12 is a left-side elevational view of FIG. 8;  
 FIG. 13 is a bottom plan view of FIG. 8; and,  
 FIG. 14 is a top plan view of FIG. 8.

The broken lines showing time and temperature devices and a pen in FIGS. 1 and 8 depict environmental matter and form no part of the claimed design.

**1 Claim, 6 Drawing Sheets**



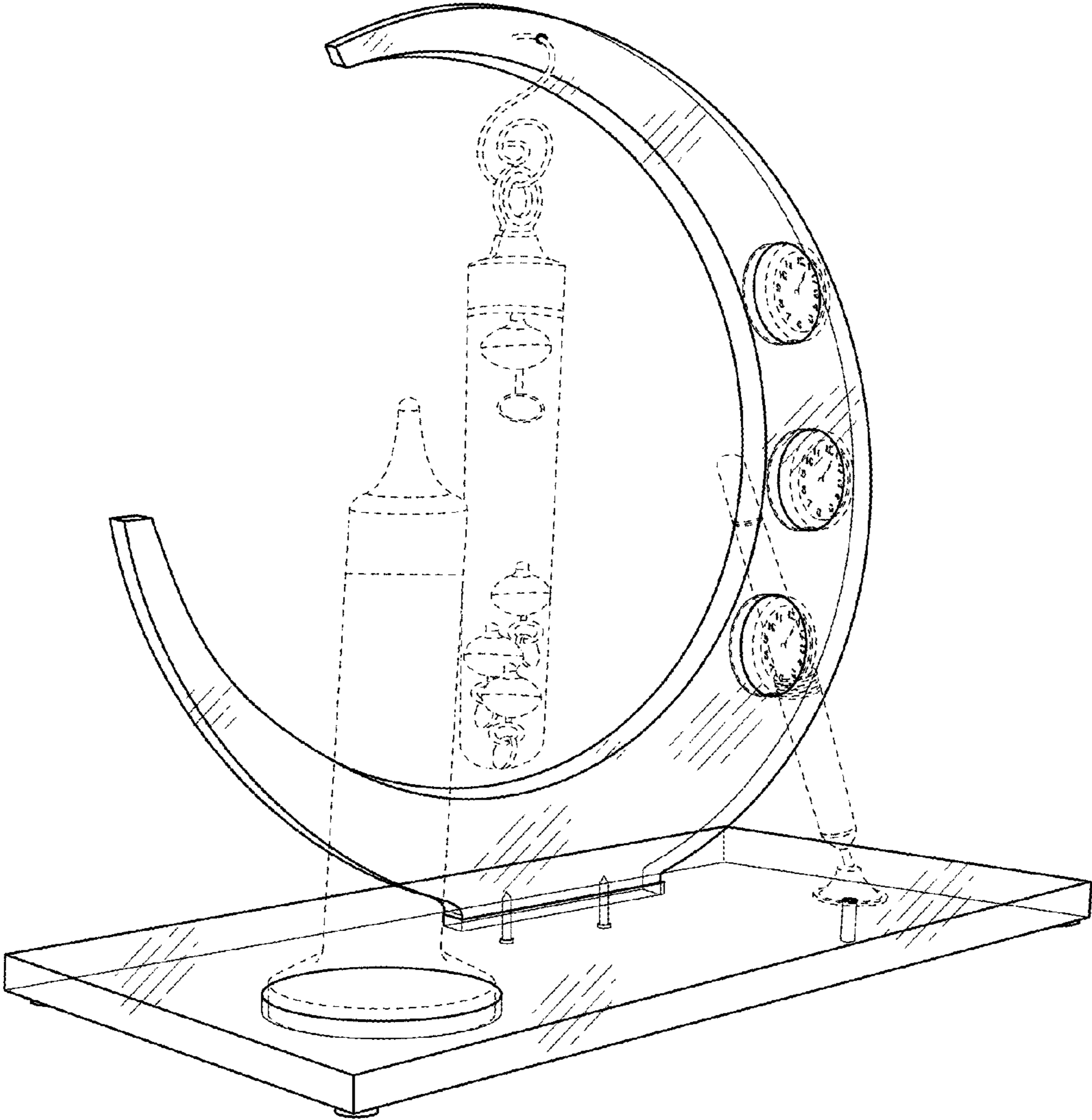


FIG. 1

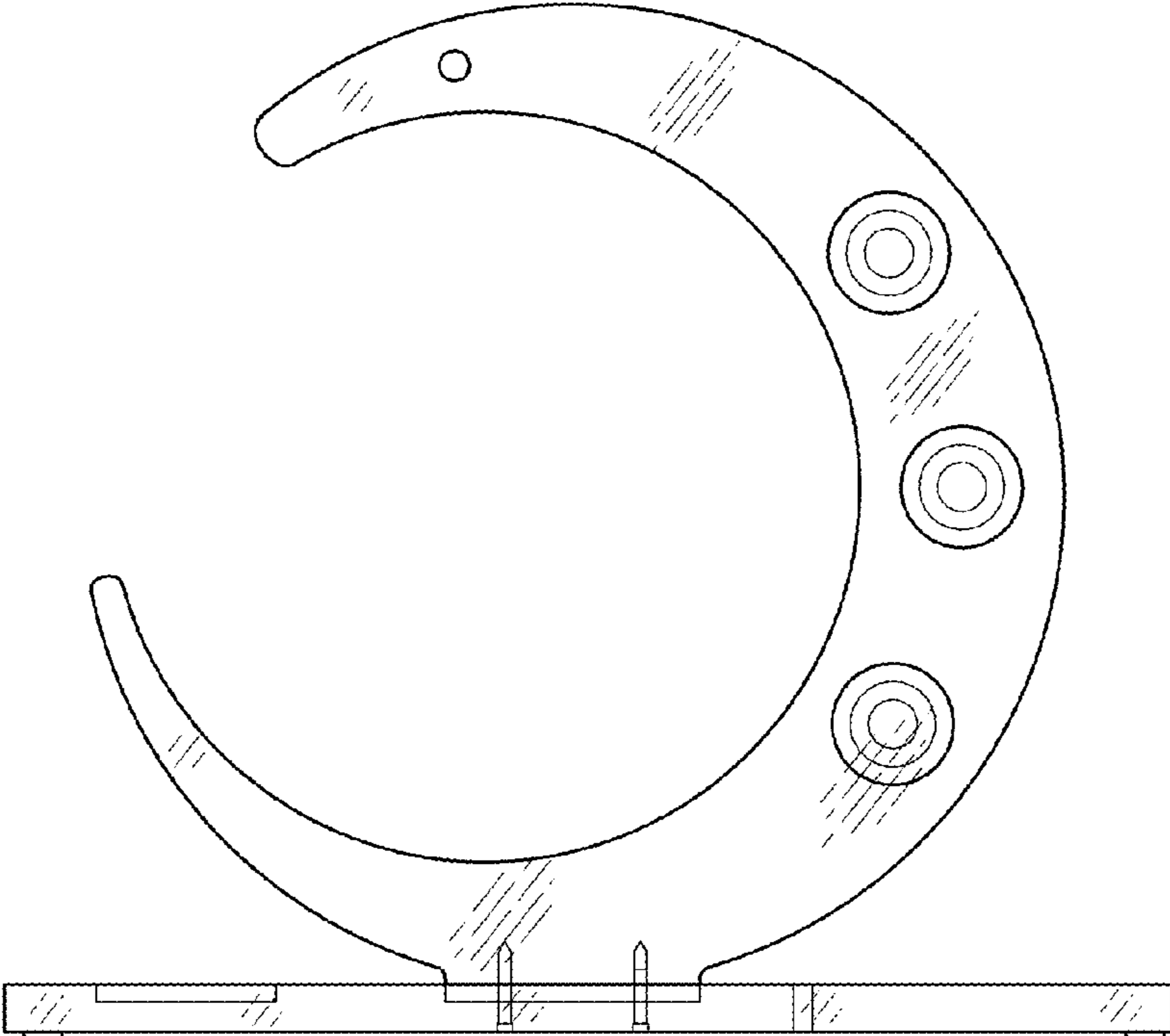


FIG. 2

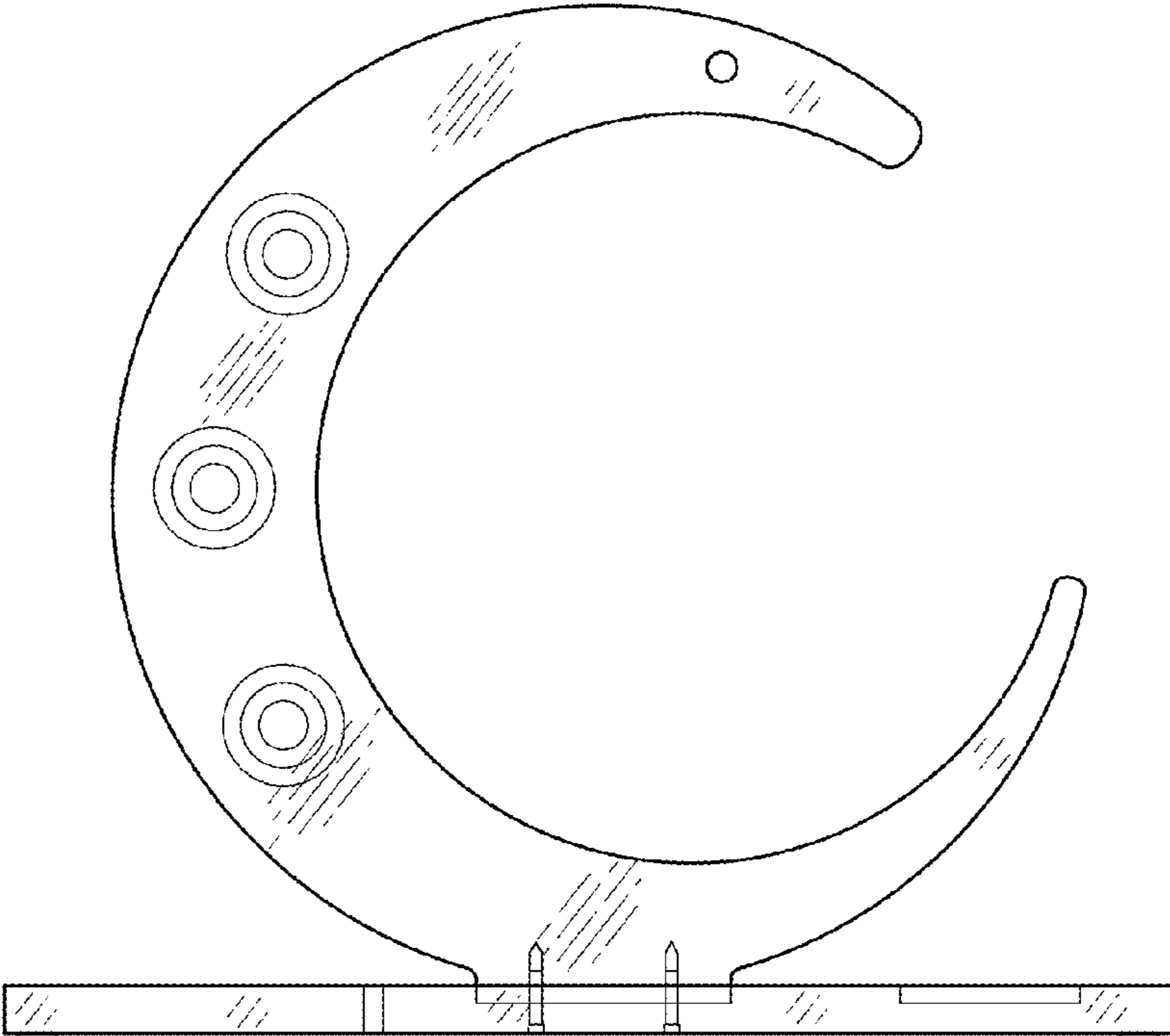


FIG. 3

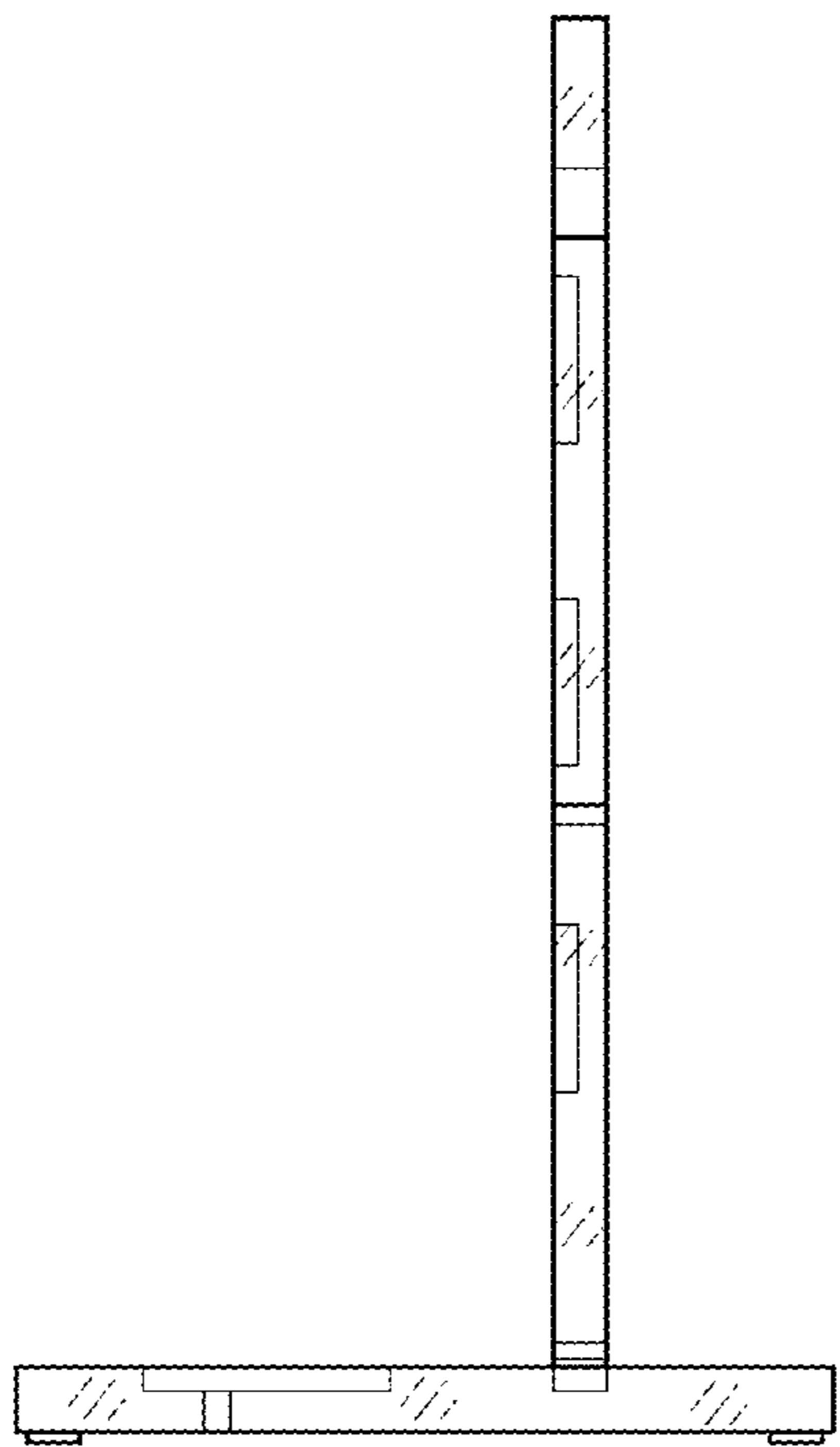


FIG. 4

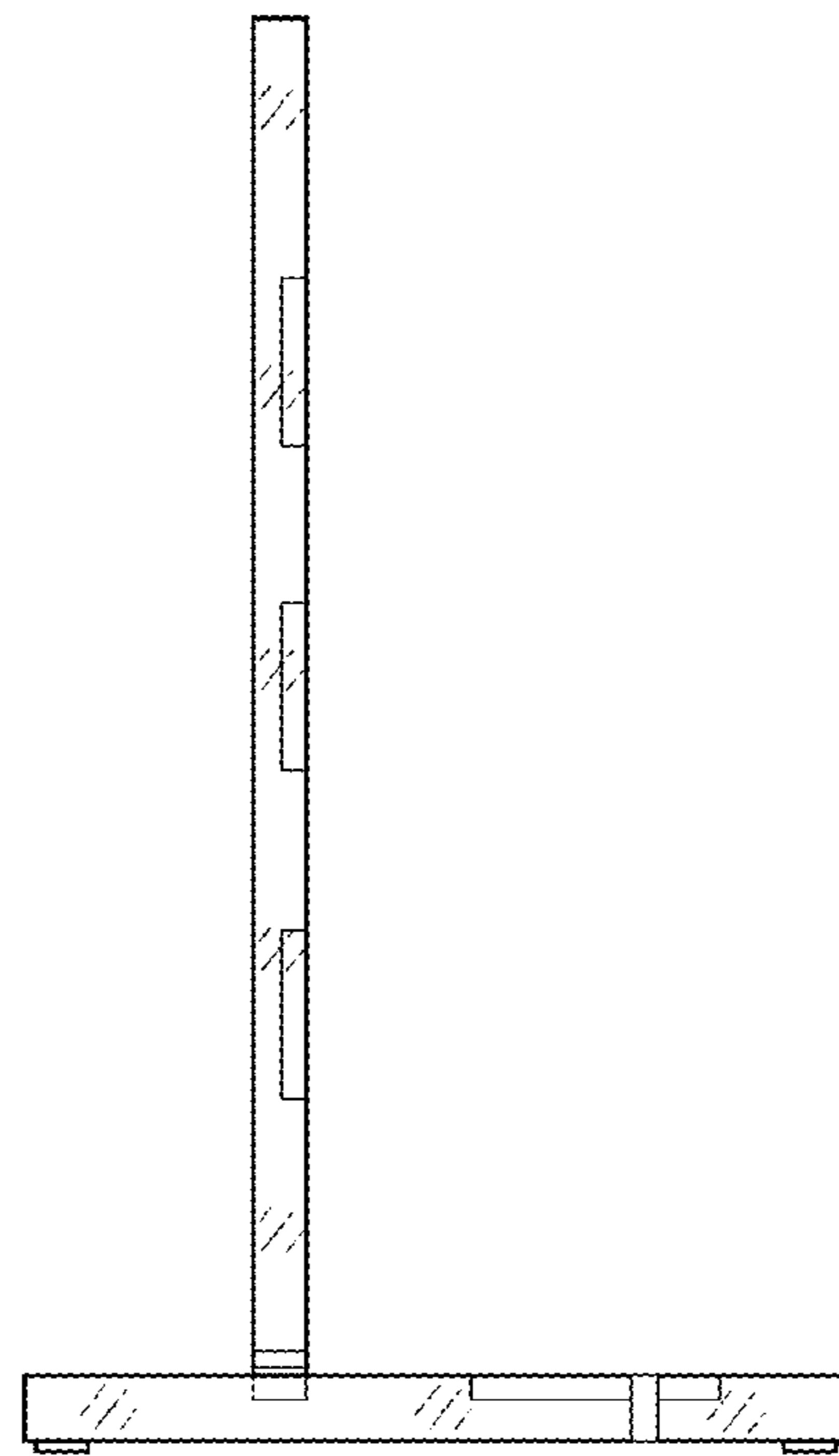


FIG. 5

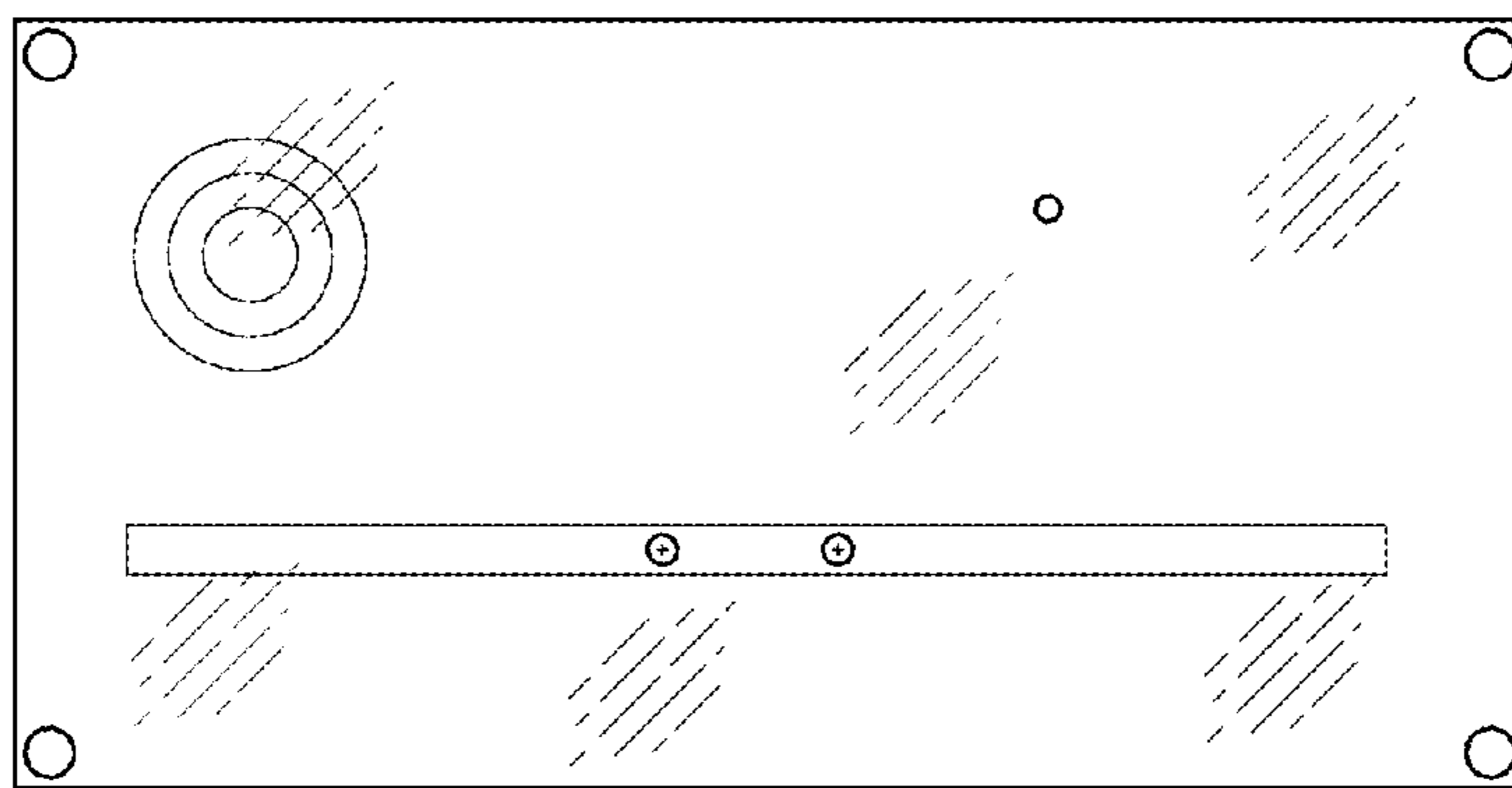


FIG. 6

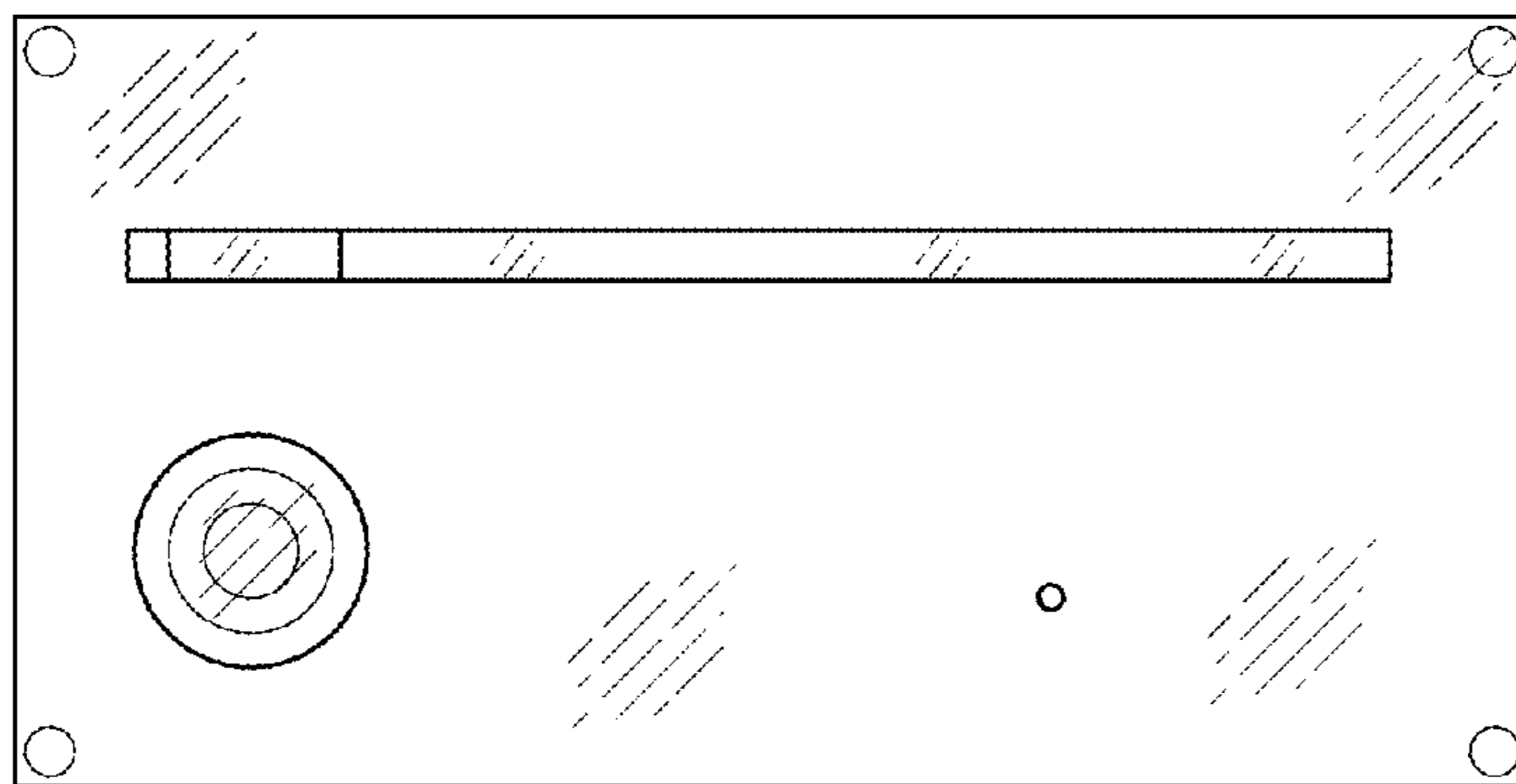


FIG. 7

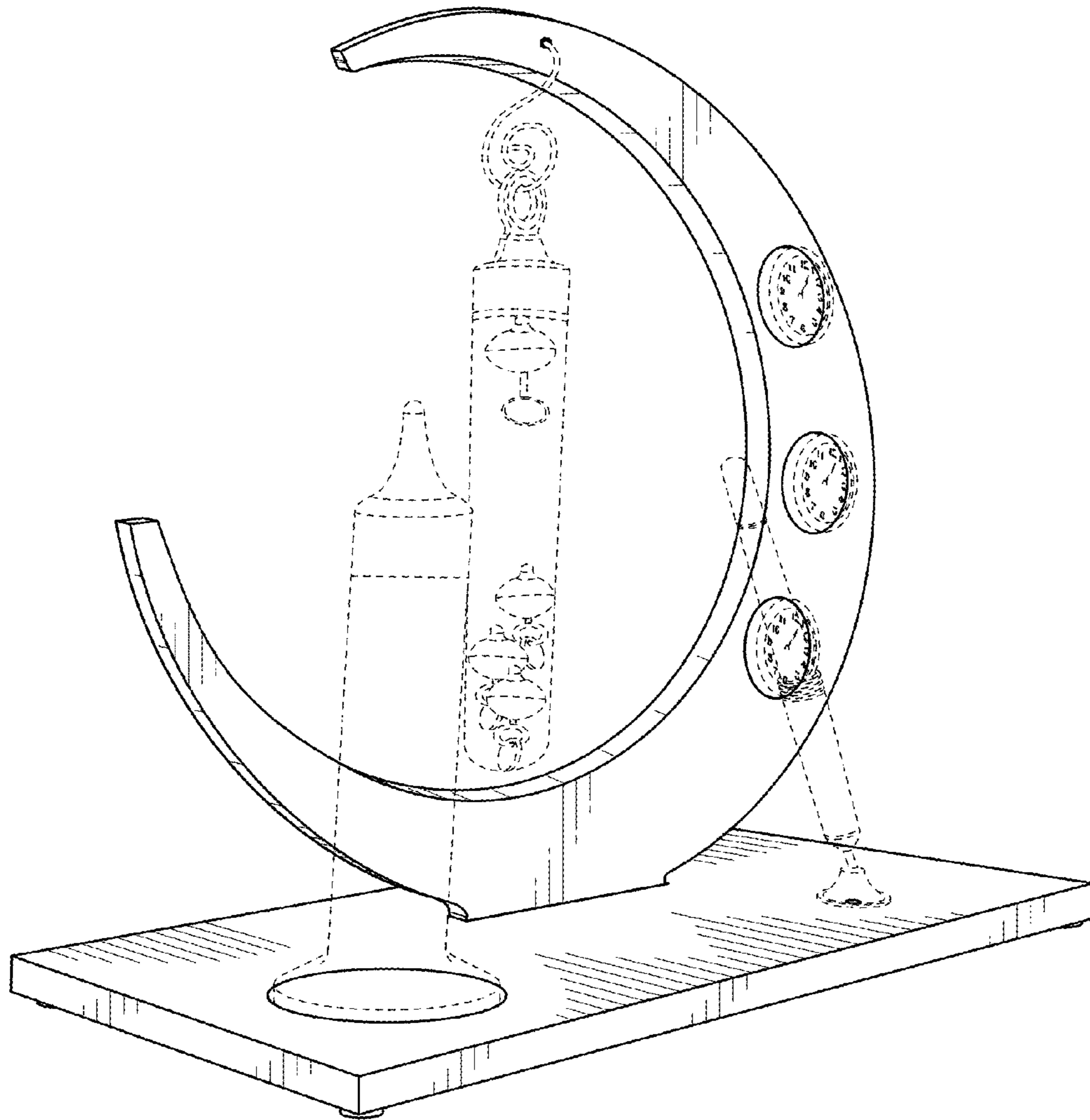


FIG. 8

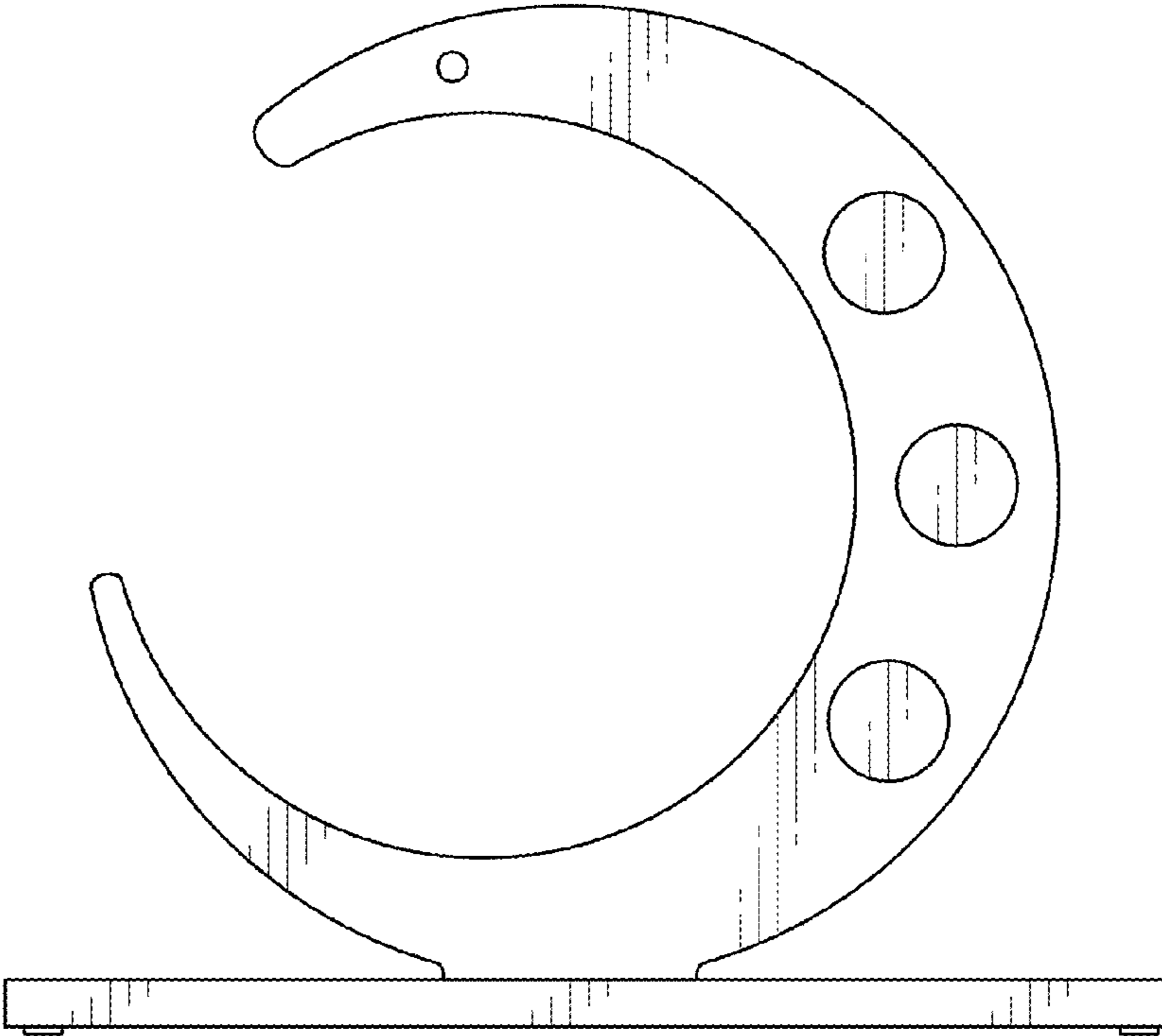


FIG. 9

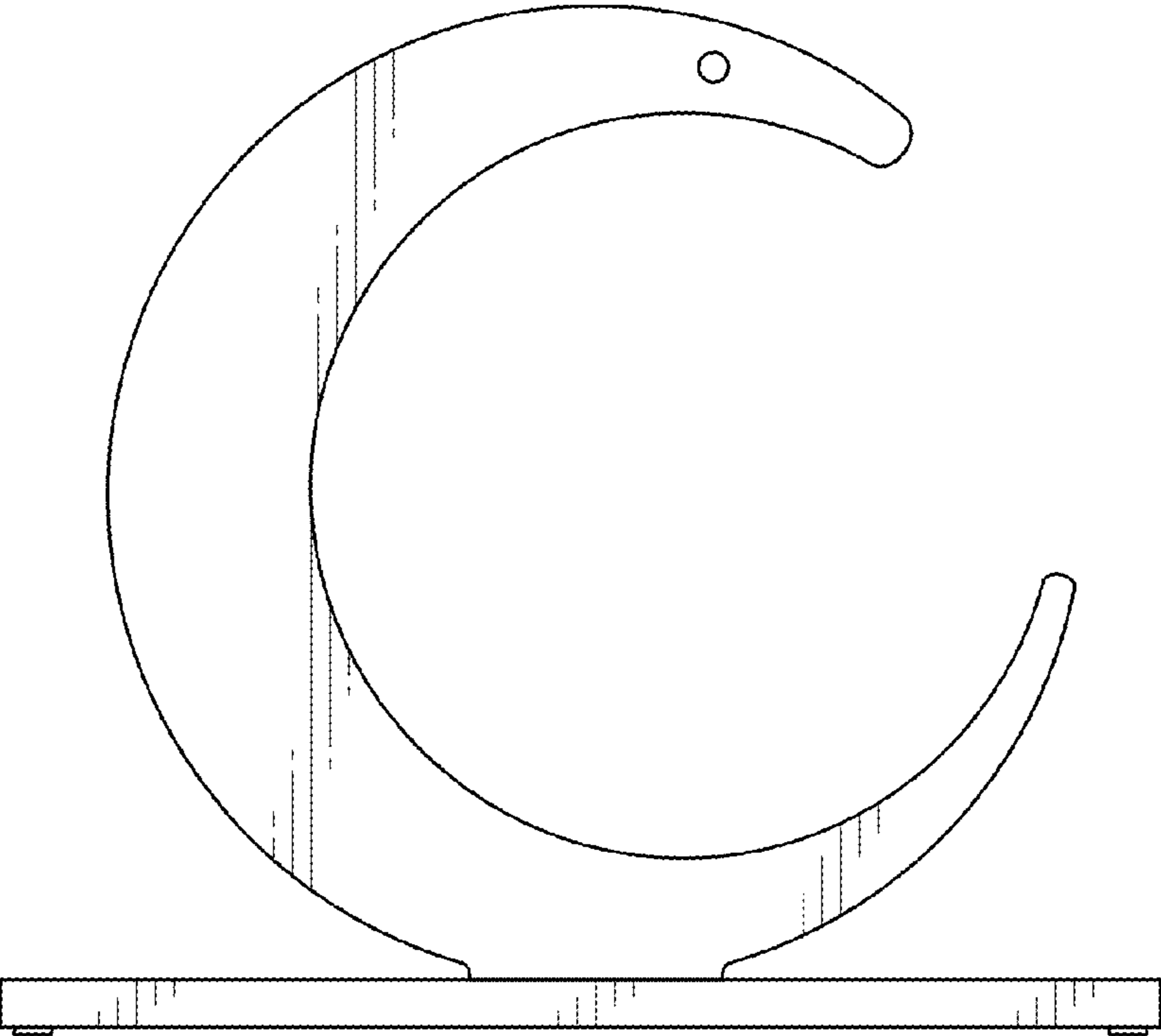


FIG. 10

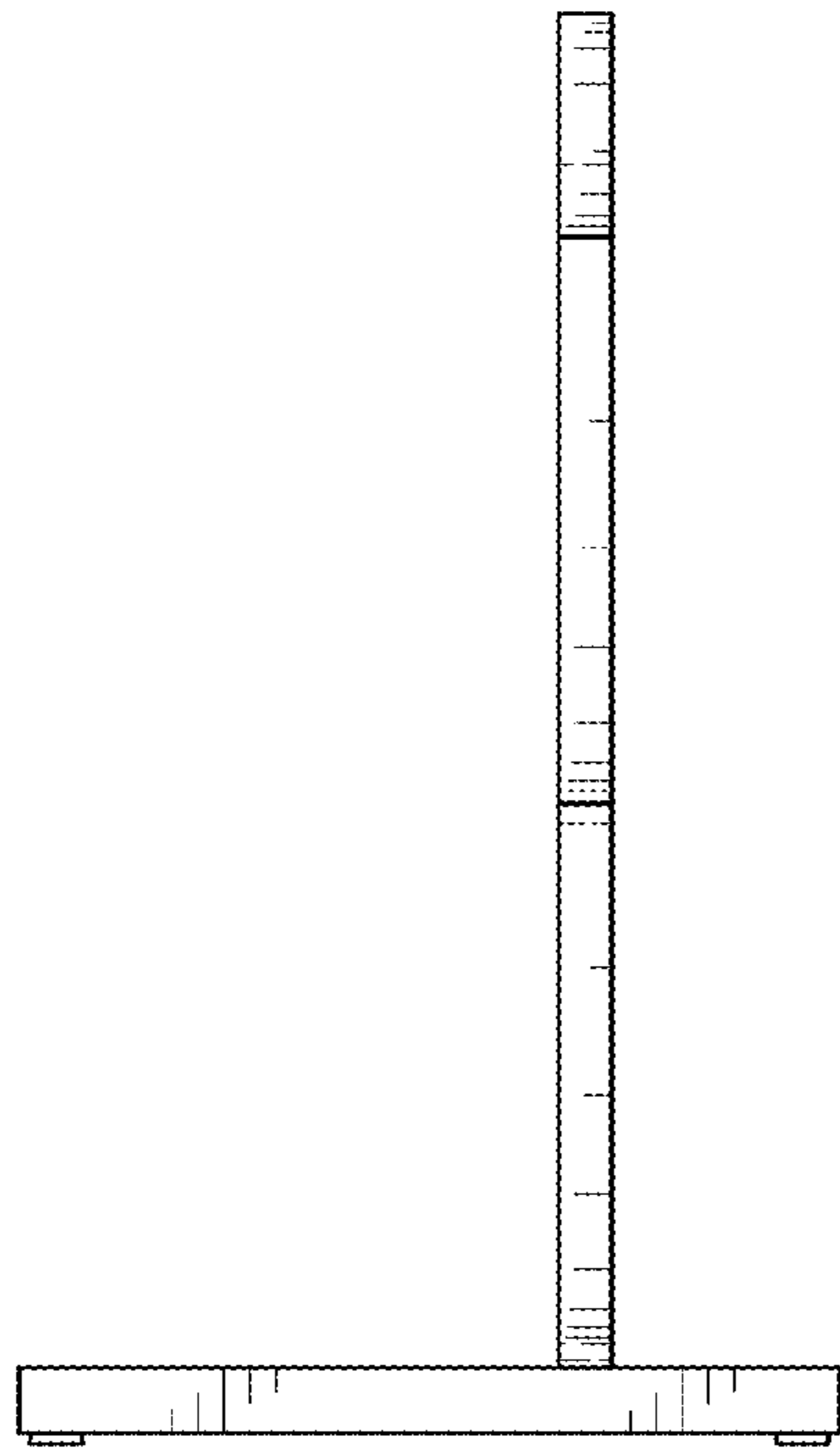


FIG. 11

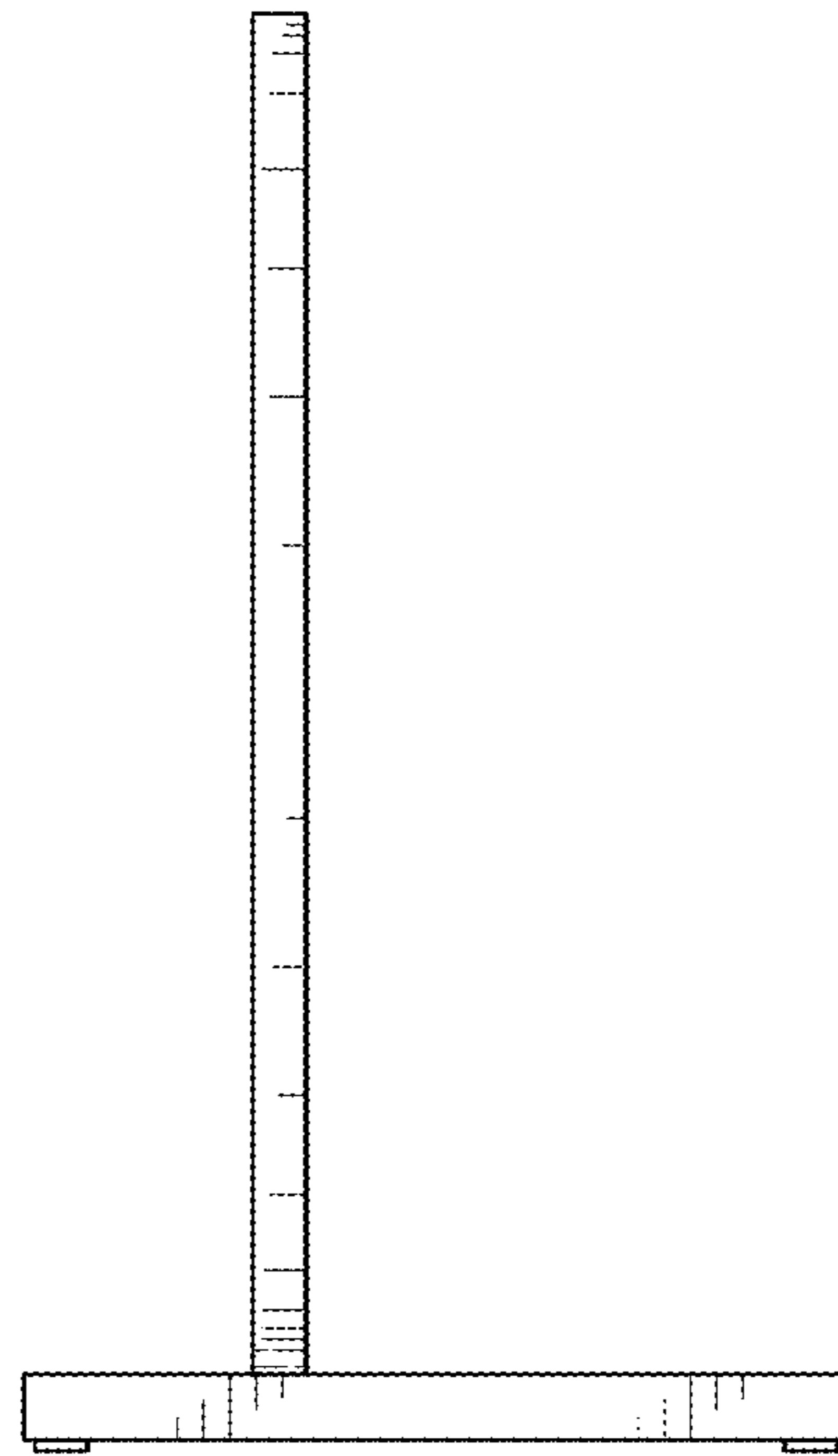


FIG. 12

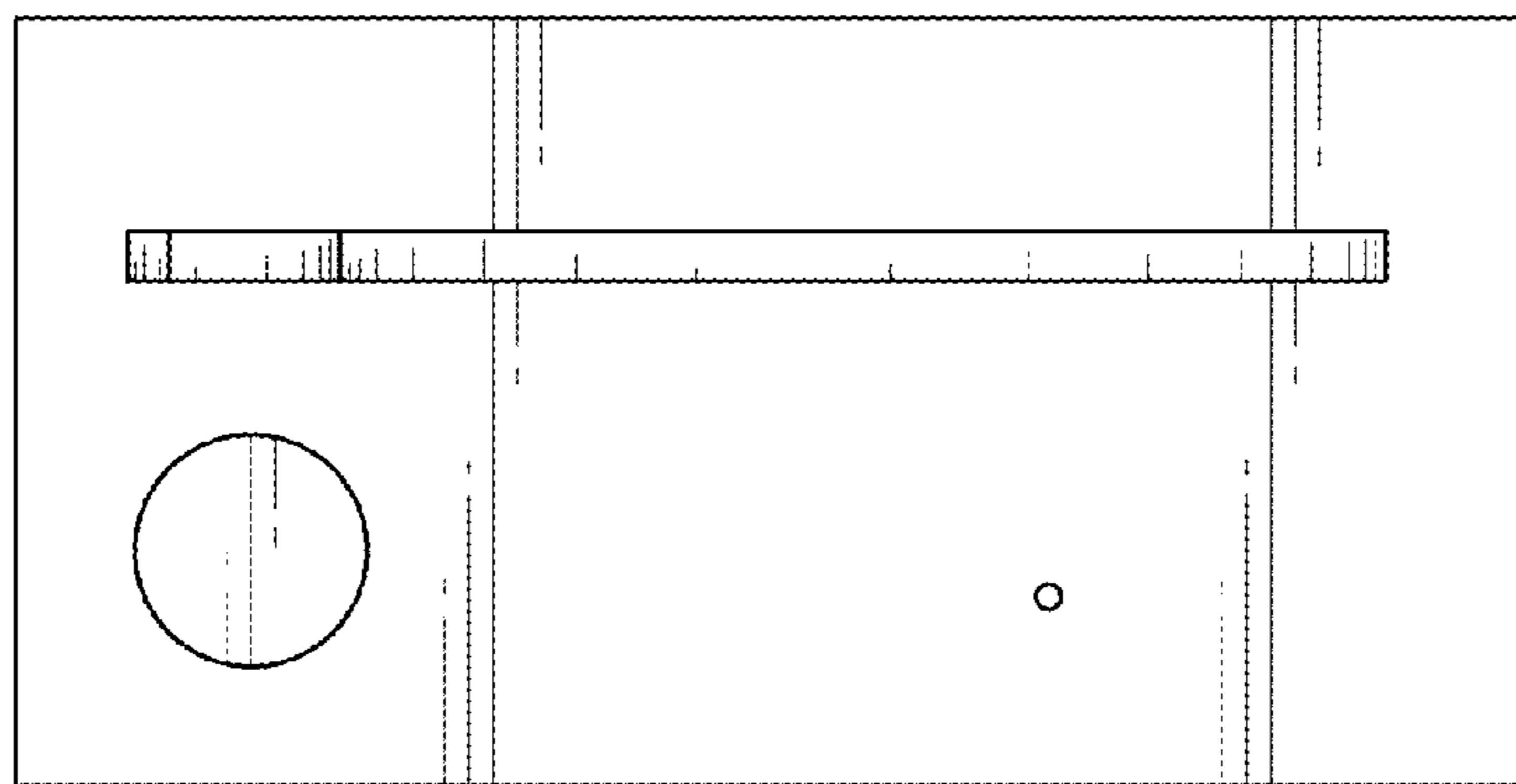


FIG. 13

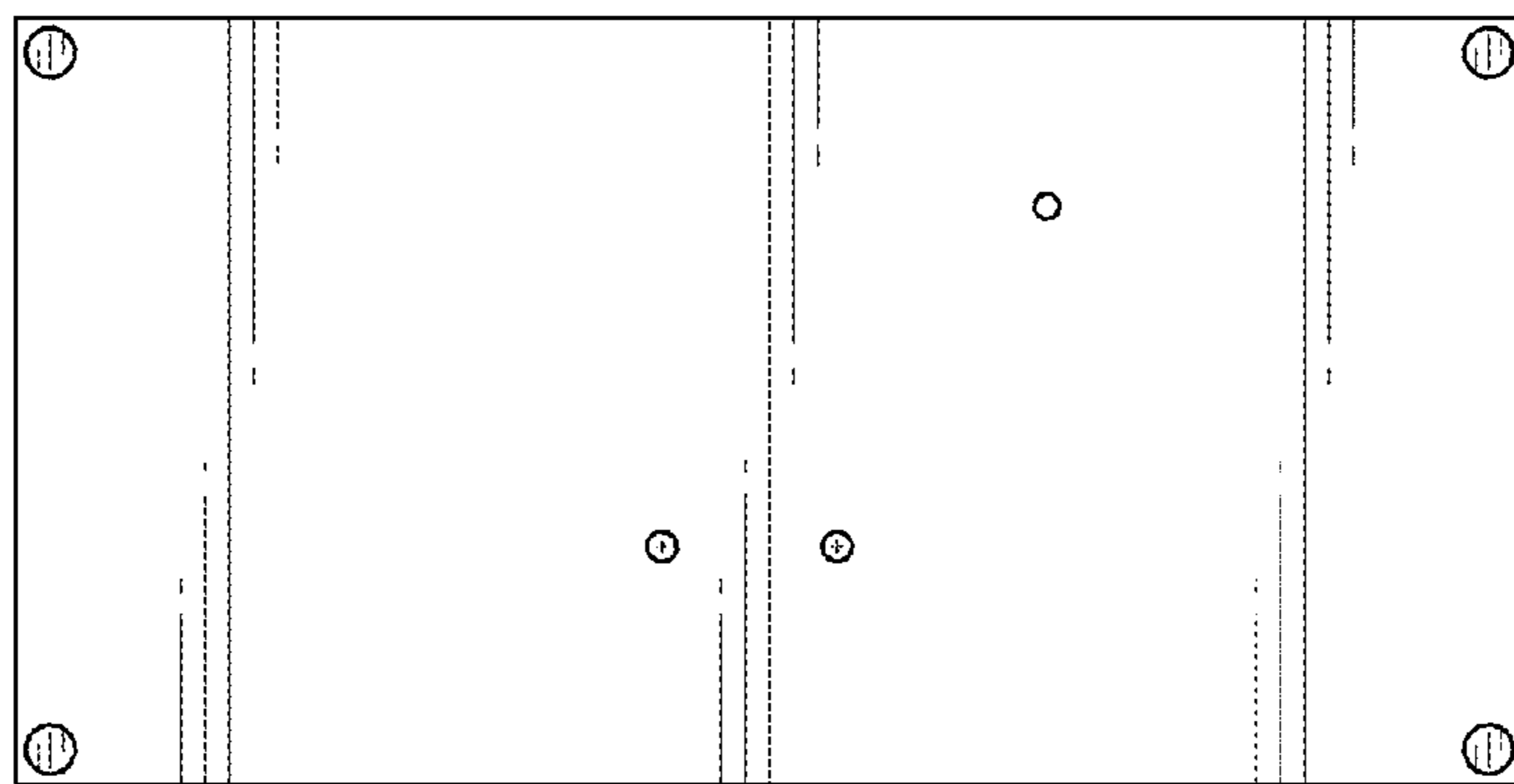


FIG. 14